

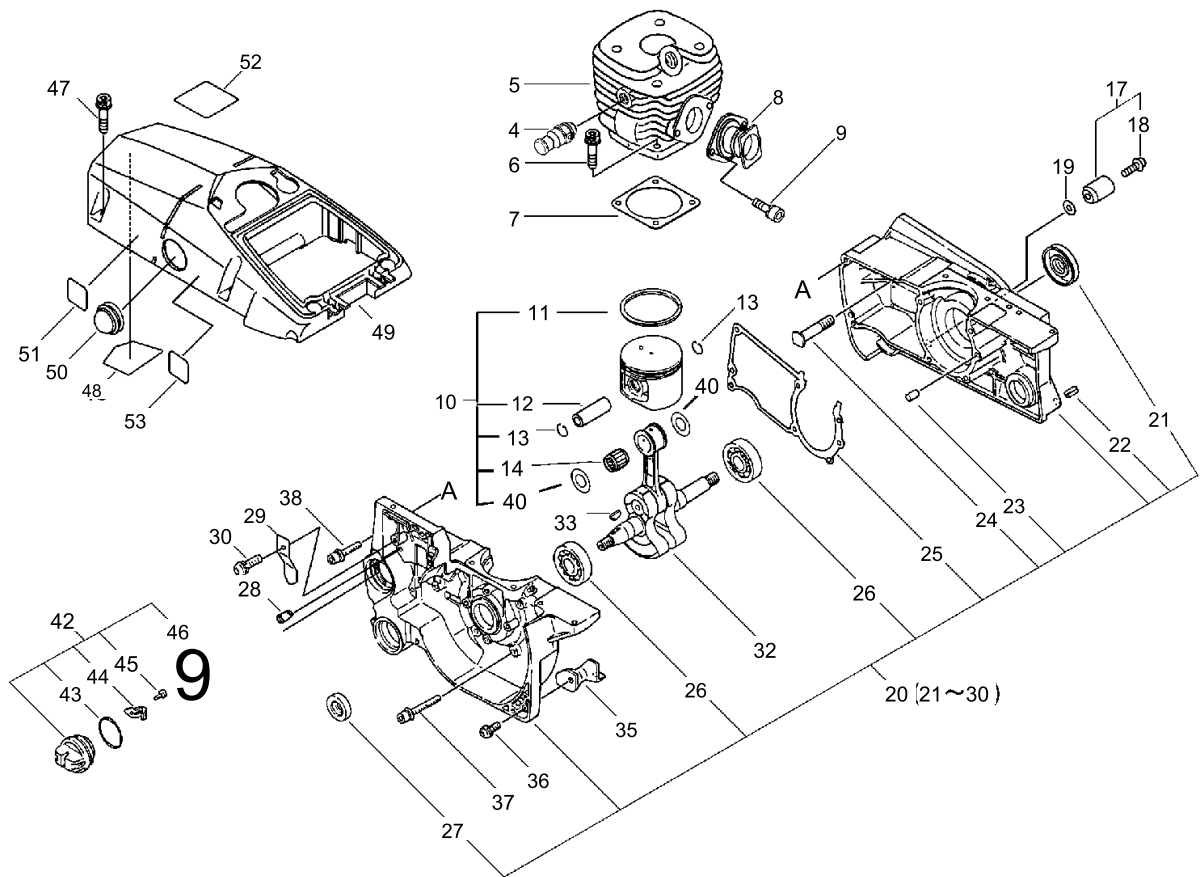
CS-680

Published:11/24/2016

TABLE OF CONTENTS

Cylinder, Crankcase, Piston.....	1
Air Cleaner, Carburettor, Muffler	3
Starter, Magneto	5
Manual-Oiler,Auto-Oiler	7
Handle	9
Chain Brake Asy, Clutch, Sprocket, Tool	11
Carburettor	15

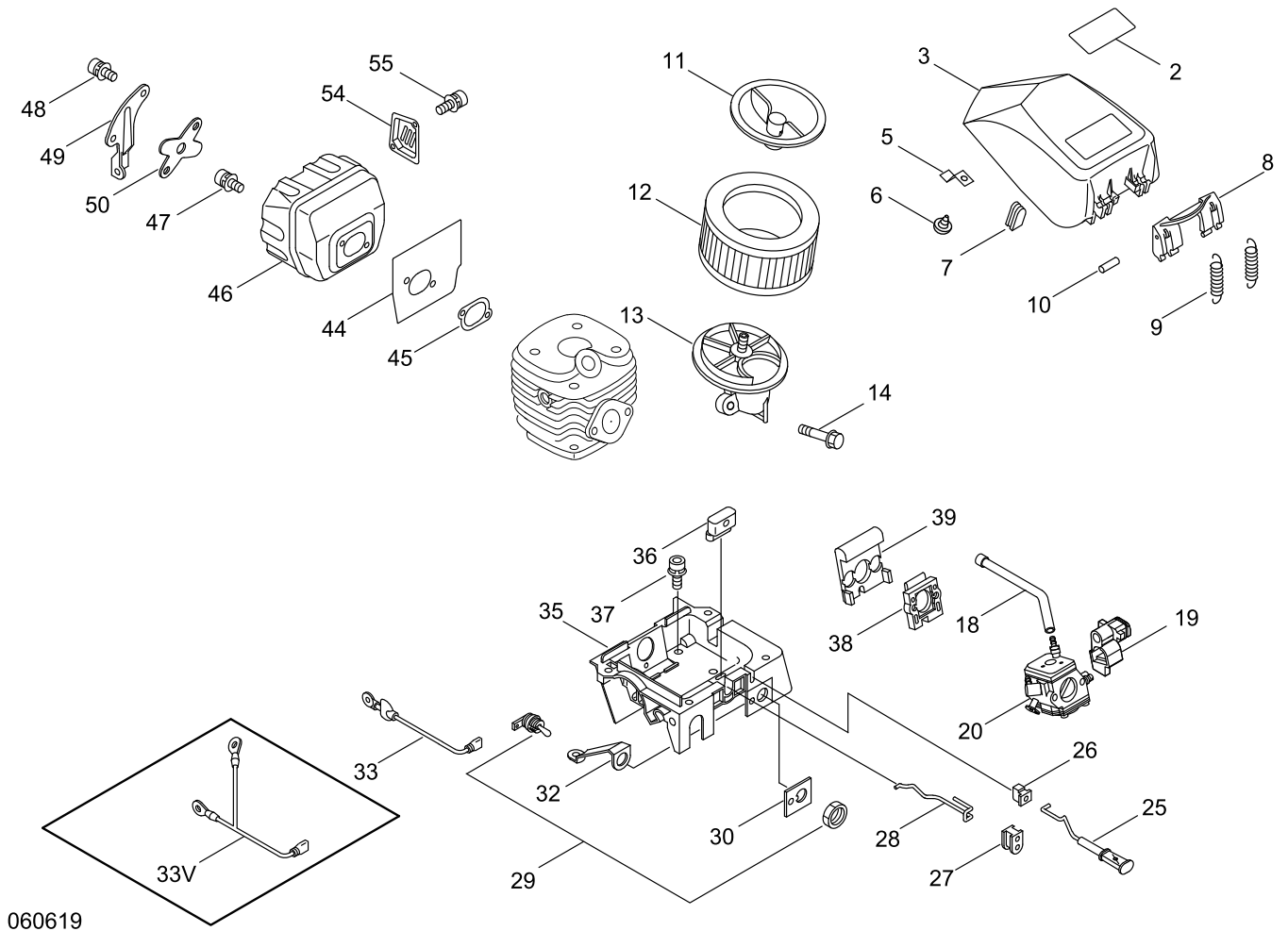
Cylinder, Crankcase, Piston



Cylinder, Crankcase, Piston

KEY NO	LV(+)	Part No	Description	Qty	Standard
4		A014-000010	DECOMP,ASM	1	
5		A130-000241	CYLINDER	1	
6		900162-05025	BOLT, H.S. 5*25	4	5*25 W,SW
7		101010-32431	GASKET, CYL. BASE	1	
8		A202-000011	BELLOWS,INTAKE	1	
9		900162-05014	BOLT, H.S. 5*14	2	5*14 W,SW
10		P021-015290	PISTON KIT	1	
11	+	A101-000150	RING, PISTON	1	50*1.2*2.2
12	+	V610-000000	PIN,ENG 12	1	
13	+	V580-000000	RING,END	2	
14	+	100012-32430	BEARING, NEEDLE	1	
40	+	100014-18430	SPACER, PISTON PIN	2	
17		P021-002880	BUMPER,SPIKED	1	
18	+	900220-05018	SCREW 5*18	1	5*18
19		900600-00005	WASHER 5	1	5
20		100204-32435	CRANKCASE KIT	1	
21	+	100212-32430	OILSEAL (L)	1	25Z-15*39.9*7
22	+	900342-50025	PIN, SPRING 5*25	1	5*25
23	+	100215-02830	PIN, DOWEL	2	
24	+	433011-19830	STUD, GUIDE BAR	2	
25	+	100242-32430	GASKET, CRANKCASE	1	
26	+	900810-36202	BEARING, BALL 6202	2	6202/C3
27	+	100212-19830	OILSEAL	1	ISM 15*25*6
28	+	436114-13930	VALVE, CHECK	1	
29	+	V150-000570	PLATE,EYE	1	
30	+	900242-04008	SCREW	1	4*8
32		A011-000250	CRANKSHAFT,ASM	1	
33		100142-30830	KEY, WOODRUFF	1	
35		V401-000060	CUSHION,5	1	
36		900238-05014	SCREW 5*14	2	5*14
37		900162-05035	BOLT, H.S. 5*35	4	5*35 W,SW
38		900162-05020	BOLT, H.S. 5*20	2	5*20 W,SW
42		436001-37933	CAP ASSY, OIL TANK	1	
43	+	900725-02025	O-RING	1	JASO 2025
44	+	131050-19830	RETAINER, LINK	1	
45	+	900246-03008	SCREW 3*8	1	3*8
46	+	131051-19830	LINK	1	60L
47		900162-05020	BOLT, H.S. 5*20	5	5*20 W,SW
48		V341-000010	WASHER,SQUARE	1	
49		A160-000331	COVER,CYLINDER	1	
50		101578-37531	PLUG	1	
51		X505-000000	LABEL,CAUTION	1	
52		890345-39230	LABEL,CAUTION	1	
53		X505-000180	LABEL,CAUTION	1	

Air Cleaner, Carburettor, Muffler

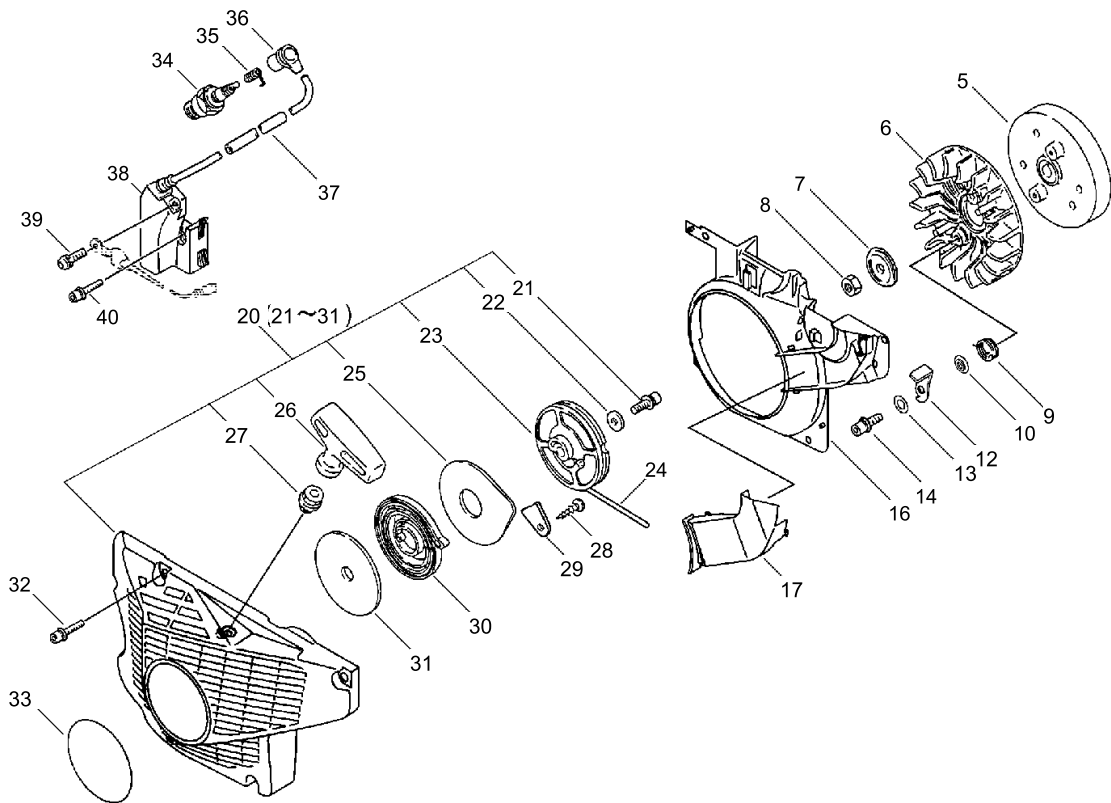


060619

Air Cleaner, Carburettor, Muffler

KEY NO	LV(+)	Part No	Description	Qty	Standard
2		X503-009500	LABEL,MODEL	1	CS-680
3		A232-000350	LID,CLEANER	1	
5		V453-000040	SPRING,FLAT	2	
6		900253-04010	SCREW 4*10	2	4*10
7		130338-32430	PLUG, COVER	1	
8		A235-000050	KNOB,CLEANER LID	1	
9		V451-000190	SPRING,TENSION	2	
10		900330-30120	PIN	4	3*12
11		A238-000030	HOLDER,ELEMENT	1	
12		A226-000070	ELEMENT,AIR FILTER	1	
13		A204-000020	ELBOW,CARBURETOR	1	
14		91107-05050	BOLT HSH FLANGE	2	5*50
18		130110-19830	PIPE, IMPULSE	1	
19		V131-000010	GROMMET,NEEDLE	1	
20		A021-001780	CARBURETOR, DIAPHRAGM	1	HDA-272
25		A241-000030	KNOB,CHOKE	1	
26		178810-33331	GROMMET, CHOKE	1	
27		178114-32630	HOLDER, THR. LEVER	1	
28		C454-000181	ROD, THROTTLE	1	MFZN3-C
29		163400-32430	SWITCH, IGNITION	1	
30		890157-19830	LABEL, SWITCH	1	
32		156635-32430	PLATE, GROUND	1	
33		162021-32431	LEAD	1	
33V		V485-002730	LEAD	1	
35		A220-000012	CASE,CARBURETOR	1	
36		V420-000540	CUSHION	1	
37		900162-05020	BOLT, H.S. 5*20	4	5*20 W,SW
38		P021-002800	INSULATOR,INTAKE	1	
39		V420-000320	CUSHION	1	
44		V104-000920	GASKET,EXHAUST	1	NP-7002
45		145510-32431	GASKET, MUFFLER	1	
46		A300-000781	MUFFLER, EXHAUST	1	
47		900162-05020	BOLT, H.S. 5*20	2	5*20 W,SW
48		900162-05014	BOLT, H.S. 5*14	2	5*14 W,SW
49		145711-32430	BRACKET, MUFFLER	1	
50		145813-31730	COVER, MUFFLER	1	
54		145861-32430	LID, MUFFLER	1	
55		900162-04010	BOLT, H.S. 4*10	2	4*10 W,SW

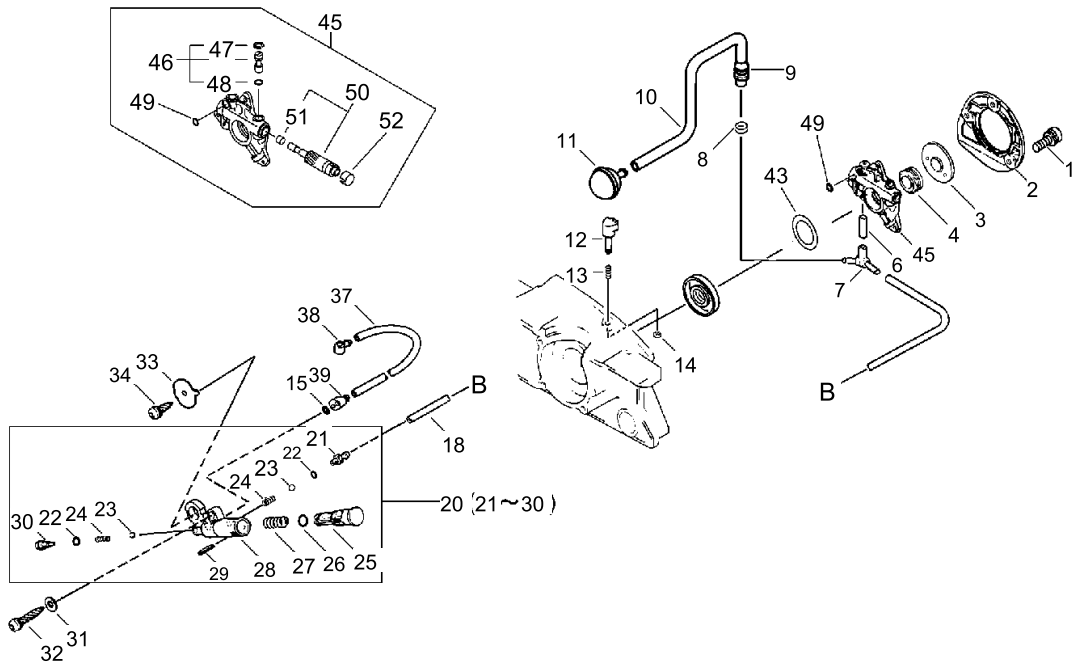
Starter, Magneto



Starter, Magneto

KEY NO	LV(+)	Part No	Description	Qty	Standard
5		156800-32631	ROTOR, MAGNETO	1	
6		A171-000060	FAN, COOLING	1	
7		100143-19830	WASHER	1	8.2*31*0.8
8		900500-00008	NUT 8	1	8*P1.25
9		177234-19832	SPRING, RETURN	2	
10		V353-000192	COLLAR,5	2	
12		177218-32631	PAWL, STARTER	2	
13		900603-00005	WASHER 5	2	5.5*12*0.8
14		V203-000150	BOLT,5	2	5*18
16		A172-000130	COVER,FAN	1	
17		A161-000020	DUCT,AIR	1	
20		P021-002901	STARTER ASY	1	
21	+	900162-05014	BOLT, H.S. 5*14	1	5*14 W,SW
22	+	900603-00005	WASHER 5	1	5.5*12*0.8
23	+	177215-32330	DRUM, STARTER	1	
24	+	177226-07060	ROPE, STARTER	1	4.0*950
25	+	177221-07060	PLATE, STARTER	1	
26	+	177228-30830	GRIP, STARTER	1	
27	+	177227-10630	GUIDE, ROPE	1	
28	+	900253-04008	SCREW 4*8	1	4*8
29	+	433144-15130	PLATE,EYE	1	
30	+	177220-02834	SPRING, REWIND	1	
31	+	177221-02830	PLATE, STARTER	1	
32		900162-05020	BOLT, H.S. 5*20	4	5*20 W,SW
33		X502-000460	LABEL,ECHO	1	
34		159010-10230	PLUG, SPARK (BPMR-7A	1	BPMR-7A
35		A426-000010	TERMINAL,SPARKPLUG	1	
36		A427-000013	CAP,SPARK PLUG	1	
37		156611-19830	TUBE	1	
38		156601-32632	COIL, IGNITION	1	
39		900242-04008	SCREW	1	4*8
40		900162-04020	BOLT, H.S. 4*20	2	4*20 W,SW

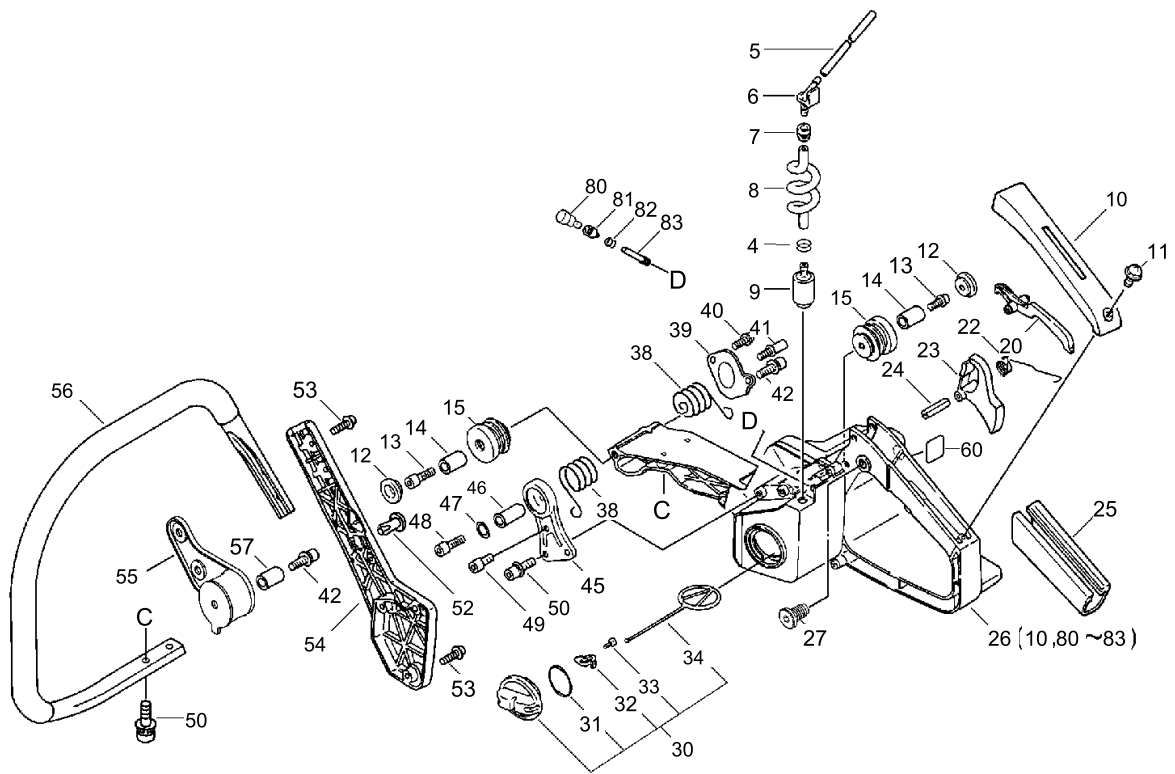
Manual-Oiler,Auto-Oiler



Manual-Oiler,Auto-Oiler

KEY NO	LV(+)	Part No	Description	Qty	Standard
1		900162-04012	BOLT, H.S. 4*12	3	4*12 W,SW
2		437605-32430	COVER, OIL PUMP	1	
3		V309-000040	WASHER,CIRCULAR 12	1	12*37.5*3.5
4		437063-19930	WORM (P)	1	
6		437211-32430	PIPE	1	
7		437212-32430	CONNECTOR, OIL PIPE	1	
8		132013-26630	CLIP	1	6.5MM
9		132115-12330	GROMMET	1	
10		437210-38330	PIPE, OIL	1	
11		436205-14730	STRAINER, OIL	1	
12		437039-37630	KNOB	1	
13		437015-19830	SPRING	1	
14		900700-00003	E-RING 3	1	CE-3
15		900720-00003	O-RING P-3	1	P-3
18		437210-15130	PIPE, OIL	1	3*6*200L
20		437100-38832	OILER ASY, MANUAL	1	
21	+	437118-19830	NIPPLE	1	
22	+	437122-03430	O-RING	2	
23	+	437012-00330	VALVE, BALL	2	
24	+	V450-000290	SPRING,COMPRESSION	2	
25	+	437112-38731	PISTON, OIL PUMP	1	
26	+	900720-00007	O-RING 7	1	P-7
27	+	437111-19830	SPRING	1	
28	+	437110-19831	BODY, OIL PUMP	1	
29	+	900345-20016	PIN, SPRING 2*16SUS	1	2*16SUS
30	+	437121-10130	ADAPTER, OIL PUMP	1	
31		900603-00005	WASHER 5	1	5.5*12*0.8
32		900252-05020	SCREW 5*20	1	5*20
33		437413-19830	BARCKET, OIL PUMP	1	
34		900252-04010	SCREW 4*10	1	4*10
37		437216-32630	PIPE, OUTLET	1	
38		437232-32630	CONNECTOR, OIL PIPE	1	
39		437212-32630	CONNECTOR, OIL PIPE	1	
43		V540-000210	SEAL,CIRCULAR	1	
45		437002-37530	AUTO-OILER ASSY	1	
46	+	437009-35430	PIN, CONTROL	1	
47	++	437065-19830	CLIP	1	
48	++	437030-19830	O-RING	1	
49	+	900720-00003	O-RING P-3	1	P-3
50	+	437006-32330	PLUNGER KIT	1	
51	++	437020-32430	V-RING	1	
52	+	437062-19830	CAP, PLUNGER	1	

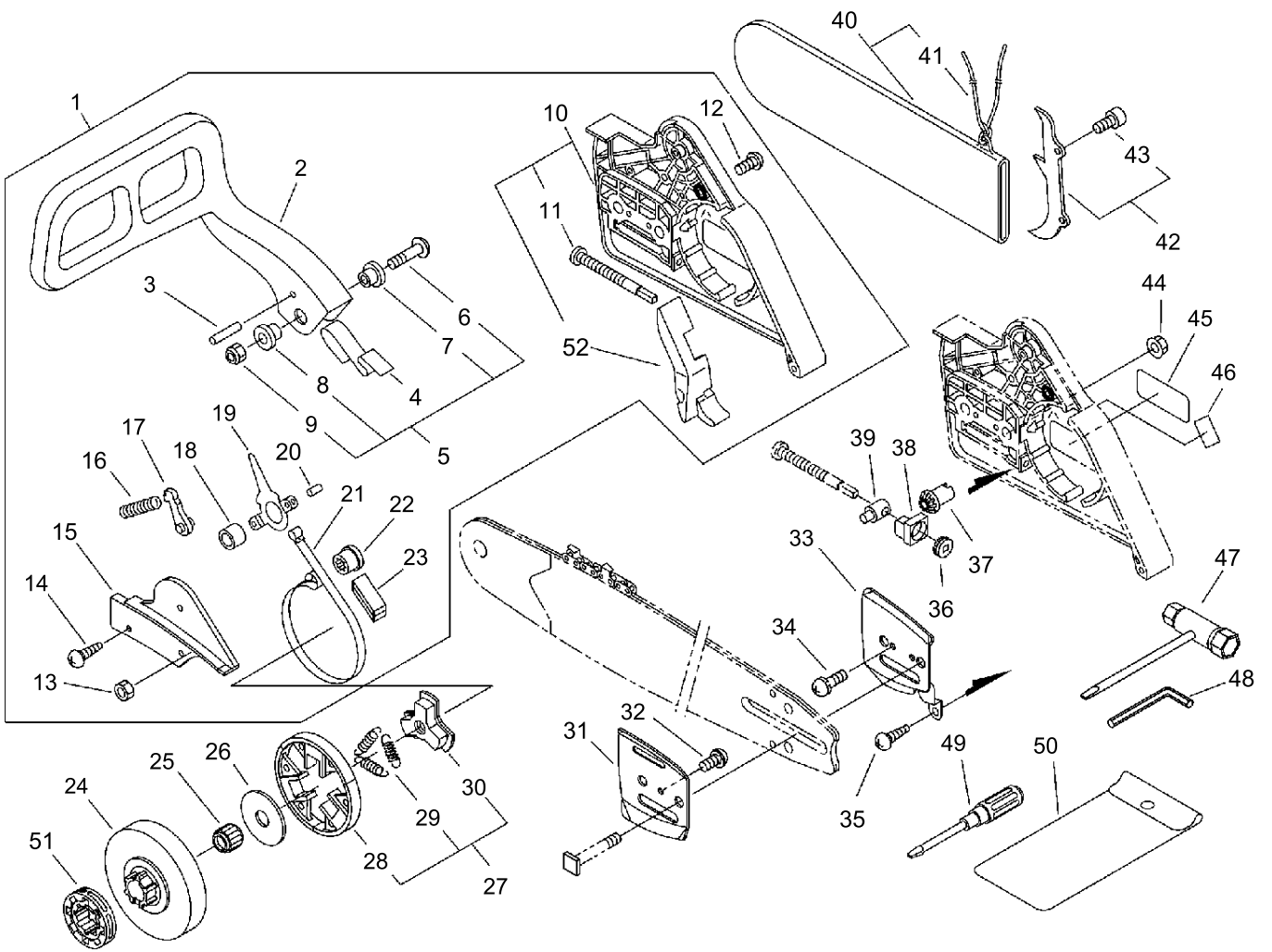
Handle



Handle

KEY NO	LV(+)	Part No	Description	Qty	Standard
4		132013-26630	CLIP	1	6.5MM
5		132010-56030	PIPE 3*6*110	1	3*6*110 NBR
6		132011-19831	CONNECTOR, FUEL PIPE	1	
7		132115-01461	GROMMET	1	
8		132010-30830	PIPE	1	
9		131205-19831	STRAINER, FUEL	1	
11		900238-04014	SCREW 4*14	1	4*14
12		100918-19830	CAP, CUSHION	2	
13		900105-05025	BOLT, H.S. 5*25	2	5*25
14		V353-000110	COLLAR,5	2	
15		V420-000530	CUSHION	2	
20		178090-37930	LOCKOUT, T. CONTROL	1	
22		178043-19830	SPRING, THR. RETURN	1	
23		C450-000042	TRIGGER, THROTTLE	1	
24		900342-50025	PIN, SPRING 5*25	1	5*25
25		351111-19830	GRIP, HANDLE	1	
26		351103-32433	HANDLE, REAR	1	
10	+	351155-35430	COVER, HANDLE (BL)	1	
80	+	131300-56430	VALVE, CHECK	1	
81	+	131328-40630	COVER, VENT	1	
82	+	130111-00530	CLIP	1	5.5
83	+	131312-32430	PIPE, VENT	1	
27		V162-000040	PLUG	1	
30		131004-37631	CAP ASSY, FUEL TANK	1	
31	+	900720-20029	O-RING 29	1	P-29
32	+	131050-19830	RETAINER, LINK	1	
33	+	900246-03008	SCREW 3*8	1	3*8
34	+	131051-19830	LINK	1	60L
38		V450-000150	SPRING, COMPRESSION	2	
39		V150-000750	PLATE, EYE	1	
40		900162-04008	BOLT, H.S. 4*8	1	4*8 W,SW
41		V203-000050	BOLT, 5	1	
42		900162-05020	BOLT, H.S. 5*20	1	5*20 W,SW
45		V419-000010	BRACKET, CUSHION	1	
46		V353-000120	COLLAR, 5	1	
47		900630-00005	WASHER 5	1	5.5*16*1T
48		900105-05035	BOLT, H.S. 5*35	1	5*35
49		900105-05008	BOLT, H.S. 5*8	1	5*8
50		900162-05014	BOLT, H.S. 5*14	4	5*14 W,SW
52		V649-000010	RIVET	1	
53		900238-05020	SCREW 5*20	5	5*20
54		351616-38130	BRACKET, HANDLE	1	
55		V401-000170	CUSHION, 5	1	
56		C400-000100	HANDLE, FRONT	1	
57		V353-000281	COLLAR, 5	1	5.5*8*8.3
60		890157-39130	LABEL, SWITCH	1	

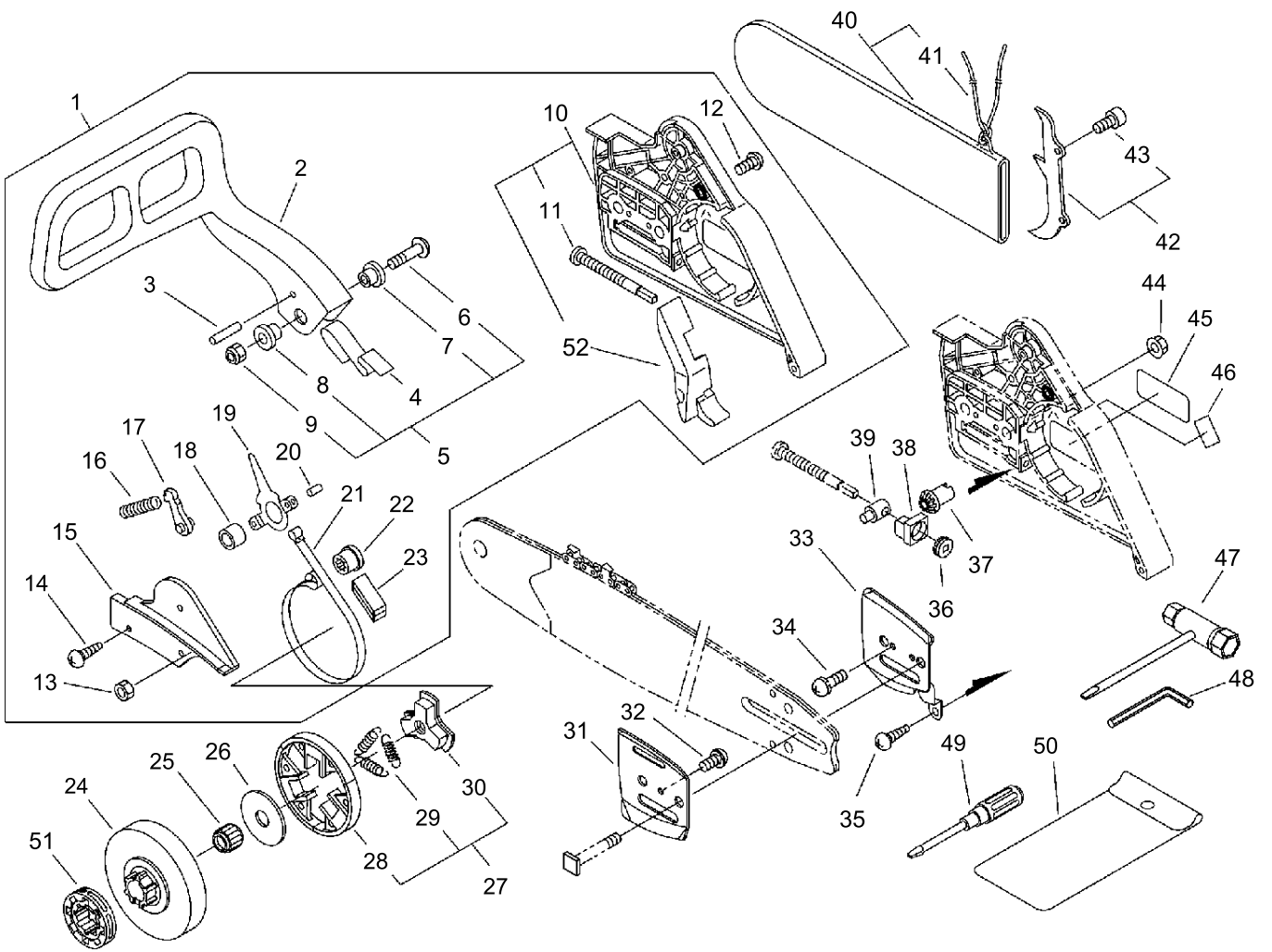
Chain Brake Assy, Clutch, Sprocket, Tool



Chain Brake Assy, Clutch, Sprocket, Tool

KEY NO	LV(+)	Part No	Description	Qty	Standard
1		P021-010642	BRAKE,ASM CHAIN	1	
2	+	433105-38131	LEVER, BRAKE	1	
3	+	900330-35260	PIN 3.5*26	1	3.5*26
4	+	433114-38131	SPRING	1	
5	+	433113-37539	SCREW KIT	1	
6	++	900209-05035	SCREW	1	5*35
7	++	433167-39730	COLLAR 5	1	
8	++	433167-39130	SPACER	1	
9	++	900562-50005	LOCKNUT 5	1	5
10	+	P021-002286	SPROCKET GUARD	1	
11	++	V203-000110	BOLT,5	1	
52	++	C302-000000	PAD, GUARD	1	
12	+	900220-03018	SCREW (+-SR 3*18)	1	3*18
13	+	900500-00003	NUT 3	1	3
14	+	900252-04012	SCREW 4*12	2	4*12
15	+	433310-38130	COVER, BRAKE	1	
16	+	433122-38130	SPRING, BRAKE	1	
17	+	433209-35430	STOPPER, BRAKE	1	
18	+	433116-35430	SPACER 8	1	8*12*9
19	+	433208-35431	LEVER, BRAKE	1	
20	+	900330-40088	ROLLER 4*8.8	1	4*8.8
21	+	433123-38131	BAND, BRAKE	1	
22	+	433142-35430	ADJUSTER, BRAKE	1	
23	+	433312-32630	COVER, SEAL	1	
24		175105-32431	DRUM, CLUTCH	1	
25		175012-32430	BEARING, NEEDLE	1	12*18*12
26		A551-000051	PLATE,CLUTCH	1	
27		A056-000050	CLUTCH	1	
28	+	P021-007790	SHOE,CLUTCH	1	
29	+	V451-000430	SPRING,TENSION	3	
30	+	A552-000040	HUB,CLUTCH	1	
31		433013-30830	PLATE, GUIDE (INNER)	1	
32		900241-04008	SCREW 4*8	1	4*8
33		C305-000040	PLATE,SPROCKET GUARD	1	
34		900241-03006	SCREW 3*6	2	3*6
35		900253-04010	SCREW 4*10	1	4*10
36		V651-000011	GEAR,BEVEL	1	
37		V651-000001	GEAR,BEVEL	1	
38		V355-000270	COLLAR,8	1	
39		C309-000030	TENSIONER,CHAIN	1	
40		898548-14531	SCABBARD, CHAIN	1	
41	+	898568-14530	ROPE	1	5*900
42		P021-002880	BUMPER,SPIKED	1	
43	+	900105-05012	BOLT, H.S. 5*12	2	5*12
44		433019-12330	NUT, FLANGE 8	2	M-8
45		X502-000560	LABEL,ECHO	1	

Chain Brake Assy, Clutch, Sprocket, Tool



Chain Brake Asy, Clutch, Sprocket, Tool

KEY NO	LV(+)	Part No	Description	Qty	Standard
46		890155-30130	LABEL, CAUTION	1	
47		X602-000080	TOOL,WRENCH	1	13*19 L180
48		895610-00130	L-WRENCH (4MM)	1	
49		895812-03930	DRIVER, SCREW 50	1	
50		898510-07130	BAG, TOOL	1	
51		175033-14731	SPROCKET, RIM 68210S	1	

Carburettor

KEY NO	LV(+)	Part No	Description	Qty	Standard
		A021-001780	CARBURETOR, DIAPHRAGM	1	HDA-272
3	+	123110-16130	SCREW, PUMP COVER	1	
4	+	123124-19830	COVER, FUEL PUMP	1	
5	+	123125-12330	GASKET, FUEL PUMP	1	
6	+	123112-12330	DIAPHRAGM, FUEL PUMP	1	
7	+	123126-10631	SCREEN, INLET	1	
9	+	123114-38830	SCREW	1	
10	+	123132-32430	VALVE, CHOKE	1	
11	+	123114-38830	SCREW	2	
12	+	P003-000590	LEVER, CHOKE	1	
13	+	123156-30830	STOP, THROTTLE	1	
14	+	123178-15030	PLUG, FRICTION	1	
15	+	123127-15030	RING	1	
17	+	123134-19730	SCREW, IDLE ADJUST	1	
18	+	P003-000540	SPRING, IDLE ADJUST	1	
20	+	P003-000010	LIMITER CAP	2	
21	+	P003-002310	NEEDLE, HIGH SPEED	1	
24	+	123118-02261	NEEDLE	1	
30	+	123146-10631	PLUG, WELCH	1	
31	+	123122-32630	SPRING, METER. LEVER	1	
32	+	123123-18330	LEVER, METERING	1	
33	+	123138-03930	PIN, METERING LEVER	1	
34	+	123139-03930	SCREW, M. LEVER PIN	1	
35	+	123137-19830	VALVE, INLET NEEDLE	1	
37	+	123132-16130	VALVE, CHOKE	1	
38	+	123114-05260	SCREW	1	
39	+	P003-000560	SPRING, THRT. RETURN	1	
40	+	P003-000550	SHAFT, THROTTLE	1	
41	+	P003-000610	SPRING	1	
42	+	P003-000620	LEVER-FAST IDLE	1	
43	+	123149-26030	WASHER	1	
44	+	P003-000600	SHAFT, CHOKE	1	
47	+	123140-18331	GASKET, M. DIAPHRAGM	1	
48	+	123141-16131	DIAPHRAGM, METERING	1	
49	+	123142-17330	COVER, M. DIAPHRAGM	1	
50	+	123130-02960	SCREW	4	

NUMERICAL PARTS INDEX

Part No	Part description	Page	Part No	Part description	Page	Part No	Part description	Page
100012-32430	BEARING, NEEDLE	2	131205-19831	STRAINER, FUEL	10	433105-38131	LEVER, BRAKE	12
100014-18430	SPACER, PISTON PIN	2	131300-56430	VALVE, CHECK	10	433113-37539	SCREW KIT	12
100142-30830	KEY, WOODRUFF	2	131312-32430	PIPE, VENT	10	433114-38131	SPRING	12
100143-19830	WASHER	6	131328-40630	COVER, VENT	10	433116-35430	SPACER 8	12
100204-32435	CRANKCASE KIT	2	132010-30830	PIPE	10	433122-38130	SPRING, BRAKE	12
100212-19830	OILSEAL	2	132010-56030	PIPE 3*6*110	10	433123-38131	BAND, BRAKE	12
100212-32430	OILSEAL (L)	2	132011-19831	CONNECTOR, FUEL PIPE	10	433142-35430	ADJUSTER, BRAKE	12
100215-02830	PIN, DOWEL	2	132013-26630	CLIP	8	433144-15130	PLATE,EYE	6
100242-32430	GASKET, CRANKCASE	2	132013-26630	CLIP	10	433167-39130	SPACER	12
100918-19830	CAP, CUSHION	10	132115-01461	GROMMET	10	433167-39730	COLLAR 5	12
101010-32431	GASKET, CYL. BASE	2	132115-12330	GROMMET	8	433208-35431	LEVER, BRAKE	12
101578-37531	PLUG	2	145510-32431	GASKET, MUFFLER	4	433209-35430	STOPPER, BRAKE	12
123110-16130	SCREW, PUMP COVER	16	145711-32430	BRACKET, MUFFLER	4	433310-38130	COVER, BRAKE	12
123112-12330	DIAPHRAGM, FUEL PUMP	16	145813-31730	COVER, MUFFLER	4	433312-32630	COVER, SEAL	12
123114-05260	SCREW	16	145861-32430	LID, MUFFLER	4	436001-37933	CAP ASSY, OIL TANK	2
123114-38830	SCREW	16	156601-32632	COIL, IGNITION	6	436114-13930	VALVE, CHECK	2
123118-02261	NEEDLE	16	156611-19830	TUBE	6	436205-14730	STRAINER, OIL	8
123122-32630	SPRING, METER. LEVER	16	156635-32430	PLATE, GROUND	4	437002-37530	AUTO-OILER ASSY	8
123123-18330	LEVER, METERING	16	156800-32631	ROTOR, MAGNETO	6	437006-32330	PLUNGER KIT	8
123124-19830	COVER, FUEL PUMP	16	159010-10230	PLUG, SPARK (BPMR-7A	6	437009-35430	PIN, CONTROL	8
123125-12330	GASKET, FUEL PUMP	16	162021-32431	LEAD	4	437012-00330	VALVE, BALL	8
123126-10631	SCREEN, INLET	16	163400-32430	SWITCH, IGNITION	4	437015-19830	SPRING	8
123127-15030	RING	16	175012-32430	BEARING, NEEDLE	12	437020-32430	V-RING	8
123130-02960	SCREW	16	175033-14731	SPROCKET, RIM 68210S	14	437030-19830	O-RING	8
123132-16130	VALVE, CHOKE	16	175105-32431	DRUM, CLUTCH	12	437039-37630	KNOB	8
123132-32430	VALVE, CHOKE	16	177215-32330	DRUM, STARTER	6	437062-19830	CAP, PLUNGER	8
123134-19730	SCREW, IDLE ADJUST	16	177218-32631	PAWL, STARTER	6	437063-19930	WORM (P)	8
123137-19830	VALVE, INLET NEEDLE	16	177220-02834	SPRING, REWIND	6	437065-19830	CLIP	8
123138-03930	PIN, METERING LEVER	16	177221-02830	PLATE, STARTER	6	437100-38832	OILER ASY, MANUAL	8
123139-03930	SCREW, M. LEVER PIN	16	177221-07060	PLATE, STARTER	6	437110-19831	BODY, OIL PUMP	8
123140-18331	GASKET, M. DIAPHRAGM	16	177226-07060	ROPE, STARTER	6	437111-19830	SPRING	8
123141-16131	DIAPHRAGM, METERING	16	177227-10630	GUIDE, ROPE	6	437112-38731	PISTON, OIL PUMP	8
123142-17330	COVER, M. DIAPHRAGM	16	177228-30830	GRIP, STARTER	6	437118-19830	NIPPLE	8
123146-10631	PLUG, WELCH	16	177234-19832	SPRING, RETURN	6	437121-10130	ADAPTER, OIL PUMP	8
123149-26030	WASHER	16	178043-19830	SPRING, THR. RETURN	10	437122-03430	O-RING	8
123156-30830	STOP, THROTTLE	16	178090-37930	LOCKOUT, T. CONTROL	10	437210-15130	PIPE, OIL	8
123178-15030	PLUG, FRICTION	16	178114-32630	HOLDER, THR. LEVER	4	437210-38330	PIPE, OIL	8
130110-19830	PIPE, IMPULSE	4	178810-33331	GROMMET, CHOKE	4	437211-32430	PIPE	8
130111-00530	CLIP	10	351103-32433	HANDLE, REAR	10	437212-32430	CONNECTOR, OIL PIPE	8
130338-32430	PLUG, COVER	4	351111-19830	GRIP, HANDLE	10	437212-32630	CONNECTOR, OIL PIPE	8
131004-37631	CAP ASSY, FUEL TANK	10	351155-35430	COVER, HANDLE (BL)	10	437216-32630	PIPE, OUTLET	8
131050-19830	RETAINER, LINK	2	351616-38130	BRACKET, HANDLE	10	437232-32630	CONNECTOR, OIL PIPE	8
131050-19830	RETAINER, LINK	10	433011-19830	STUD, GUIDE BAR	2	437413-19830	BARCKET, OIL PUMP	8
131051-19830	LINK	2	433013-30830	PLATE, GUIDE (INNER)	12	437605-32430	COVER, OIL PUMP	8
131051-19830	LINK	10	433019-12330	NUT, FLANGE 8	12	890155-30130	LABEL, CAUTION	14

NUMERICAL PARTS INDEX

Part No	Part description	Page	Part No	Part description	Page	Part No	Part description	Page
890157-19830	LABEL, SWITCH	4	900330-35260	PIN 3.5*26	12	C305-000040	PLATE, SPROCKET GUARD	12
890157-39130	LABEL, SWITCH	10	900330-40088	ROLLER 4*8.8	12	C309-000030	TENSIONER, CHAIN	12
890345-39230	LABEL, CAUTION	2	900342-50025	PIN, SPRING 5*25	2	C400-000100	HANDLE, FRONT	10
895610-00130	L-WRENCH (4MM)	14	900342-50025	PIN, SPRING 5*25	10	C450-000042	TRIGGER, THROTTLE	10
895812-03930	DRIVER, SCREW 50	14	900345-20016	PIN, SPRING 2*16SUS	8	C454-000181	ROD, THROTTLE	4
898510-07130	BAG, TOOL	14	900500-00003	NUT 3	12	P003-000010	LIMITER CAP	16
898548-14531	SCABBARD, CHAIN	12	900500-00008	NUT 8	6	P003-000540	SPRING, IDLE ADJUST	16
898568-14530	ROPE	12	900562-50005	LOCKNUT 5	12	P003-000550	SHAFT, THROTTLE	16
900105-05008	BOLT, H.S. 5*8	10	900600-00005	WASHER 5	2	P003-000560	SPRING, THRT. RETURN	16
900105-05012	BOLT, H.S. 5*12	12	900603-00005	WASHER 5	6	P003-000590	LEVER, CHOKE	16
900105-05025	BOLT, H.S. 5*25	10	900603-00005	WASHER 5	8	P003-000600	SHAFT, CHOKE	16
900105-05035	BOLT, H.S. 5*35	10	900630-00005	WASHER 5	10	P003-000610	SPRING	16
900162-04008	BOLT, H.S. 4*8	10	900700-00003	E-RING 3	8	P003-000620	LEVER-FAST IDLE	16
900162-04010	BOLT, H.S. 4*10	4	900720-00003	O-RING P-3	8	P003-002310	NEEDLE, HIGH SPEED	16
900162-04012	BOLT, H.S. 4*12	8	900720-00007	O-RING 7	8	P021-002286	SPROCKET GUARD	12
900162-04020	BOLT, H.S. 4*20	6	900720-20029	O-RING 29	10	P021-002800	INSULATOR, INTAKE	4
900162-05014	BOLT, H.S. 5*14	2	900725-02025	O-RING	2	P021-002880	BUMPER, SPIKED	2
900162-05014	BOLT, H.S. 5*14	4	900810-36202	BEARING, BALL 6202	2	P021-002880	BUMPER, SPIKED	12
900162-05014	BOLT, H.S. 5*14	6	91107-05050	BOLT HSH FLANGE	4	P021-002901	STARTER ASY	6
900162-05014	BOLT, H.S. 5*14	10	A011-000250	CRANKSHAFT, ASM	2	P021-007790	SHOE, CLUTCH	12
900162-05020	BOLT, H.S. 5*20	2	A014-000010	DECOMP, ASM	2	P021-010642	BRAKE, ASM CHAIN	12
900162-05020	BOLT, H.S. 5*20	4	A021-001780	CARBURETOR, DIAPHRAGM	4	P021-015290	PISTON KIT	2
900162-05020	BOLT, H.S. 5*20	6	A021-001780	CARBURETOR, DIAPHRAGM	16	V104-000920	GASKET, EXHAUST	4
900162-05020	BOLT, H.S. 5*20	10	A056-000050	CLUTCH	12	V131-000010	GROMMET, NEEDLE	4
900162-05025	BOLT, H.S. 5*25	2	A101-000150	RING, PISTON	2	V150-000570	PLATE, EYE	2
900162-05035	BOLT, H.S. 5*35	2	A130-000241	CYLINDER	2	V150-000750	PLATE, EYE	10
900209-05035	SCREW	12	A160-000331	COVER, CYLINDER	2	V162-000040	PLUG	10
900220-03018	SCREW (+SR 3*18)	12	A161-000020	DUCT, AIR	6	V203-000050	BOLT, 5	10
900220-05018	SCREW 5*18	2	A171-000060	FAN, COOLING	6	V203-000110	BOLT, 5	12
900238-04014	SCREW 4*14	10	A172-000130	COVER, FAN	6	V203-000150	BOLT, 5	6
900238-05014	SCREW 5*14	2	A202-000011	BELLOWS, INTAKE	2	V309-000040	WASHER, CIRCULAR 12	8
900238-05020	SCREW 5*20	10	A204-000020	ELBOW, CARBURETOR	4	V341-000010	WASHER, SQUARE	2
900241-03006	SCREW 3*6	12	A220-000012	CASE, CARBURETOR	4	V353-000110	COLLAR, 5	10
900241-04008	SCREW 4*8	12	A226-000070	ELEMENT, AIR FILTER	4	V353-000120	COLLAR, 5	10
900242-04008	SCREW	2	A232-000350	LID, CLEANER	4	V353-000192	COLLAR, 5	6
900242-04008	SCREW	6	A235-000050	KNOB, CLEANER LID	4	V353-000281	COLLAR, 5	10
900246-03008	SCREW 3*8	2	A238-000030	HOLDER, ELEMENT	4	V355-000270	COLLAR, 8	12
900246-03008	SCREW 3*8	10	A241-000030	KNOB, CHOKE	4	V401-000060	CUSHION, 5	2
900252-04010	SCREW 4*10	8	A300-000781	MUFFLER, EXHAUST	4	V401-000170	CUSHION, 5	10
900252-04012	SCREW 4*12	12	A426-000010	TERMINAL, SPARK PLUG	6	V419-000010	BRACKET, CUSHION	10
900252-05020	SCREW 5*20	8	A427-000013	CAP, SPARK PLUG	6	V420-000320	CUSHION	4
900253-04008	SCREW 4*8	6	A551-000051	PLATE, CLUTCH	12	V420-000530	CUSHION	10
900253-04010	SCREW 4*10	4	A552-000040	HUB, CLUTCH	12	V420-000540	CUSHION	4
900253-04010	SCREW 4*10	12	C302-000000	PAD, GUARD	12	V450-000150	SPRING, COMPRESSION	10
900330-30120	PIN	4						

NUMERICAL PARTS INDEX

Part No	Part description	Page
V450-000290	SPRING,COMPRESSION	8
V451-000190	SPRING,TENSION	4
V451-000430	SPRING,TENSION	12
V453-000040	SPRING,FLAT	4
V485-002730	LEAD	4
V540-000210	SEAL,CIRCULAR	8
V580-000000	RING,END	2
V610-000000	PIN,ENG 12	2
V649-000010	RIVET	10
V651-000001	GEAR,BEVEL	12
V651-000011	GEAR,BEVEL	12
X502-000460	LABEL,ECHO	6
X502-000560	LABEL,ECHO	12
X503-009500	LABEL,MODEL	4
X505-000000	LABEL,CAUTION	2
X505-000180	LABEL,CAUTION	2
X602-000080	TOOL,WRENCH	14