

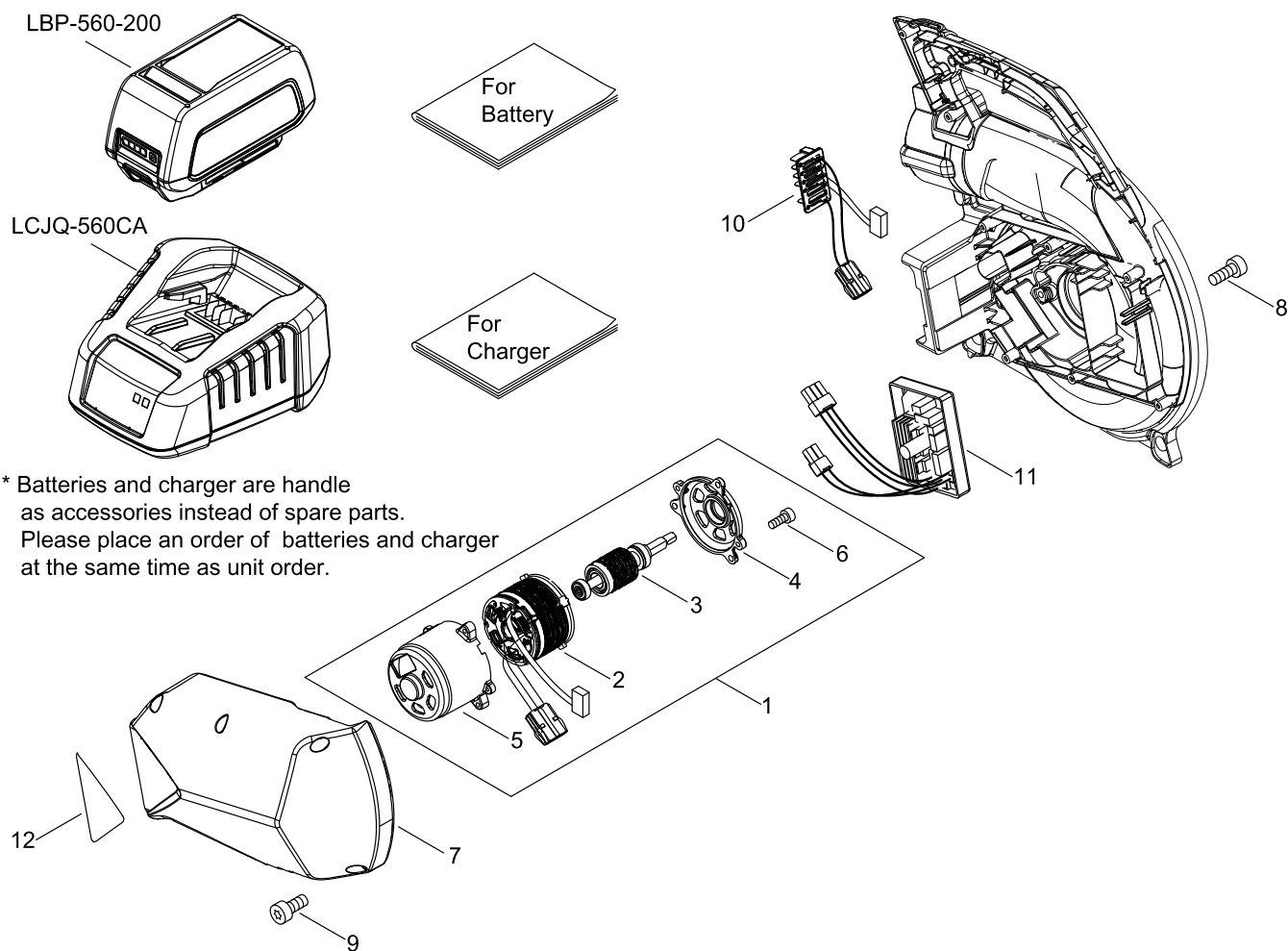
DPB-600/C2

Published:11/16/2017

TABLE OF CONTENTS

MOTOR	1
FAN CASE	3
THROTTLE	5
PIPE	7

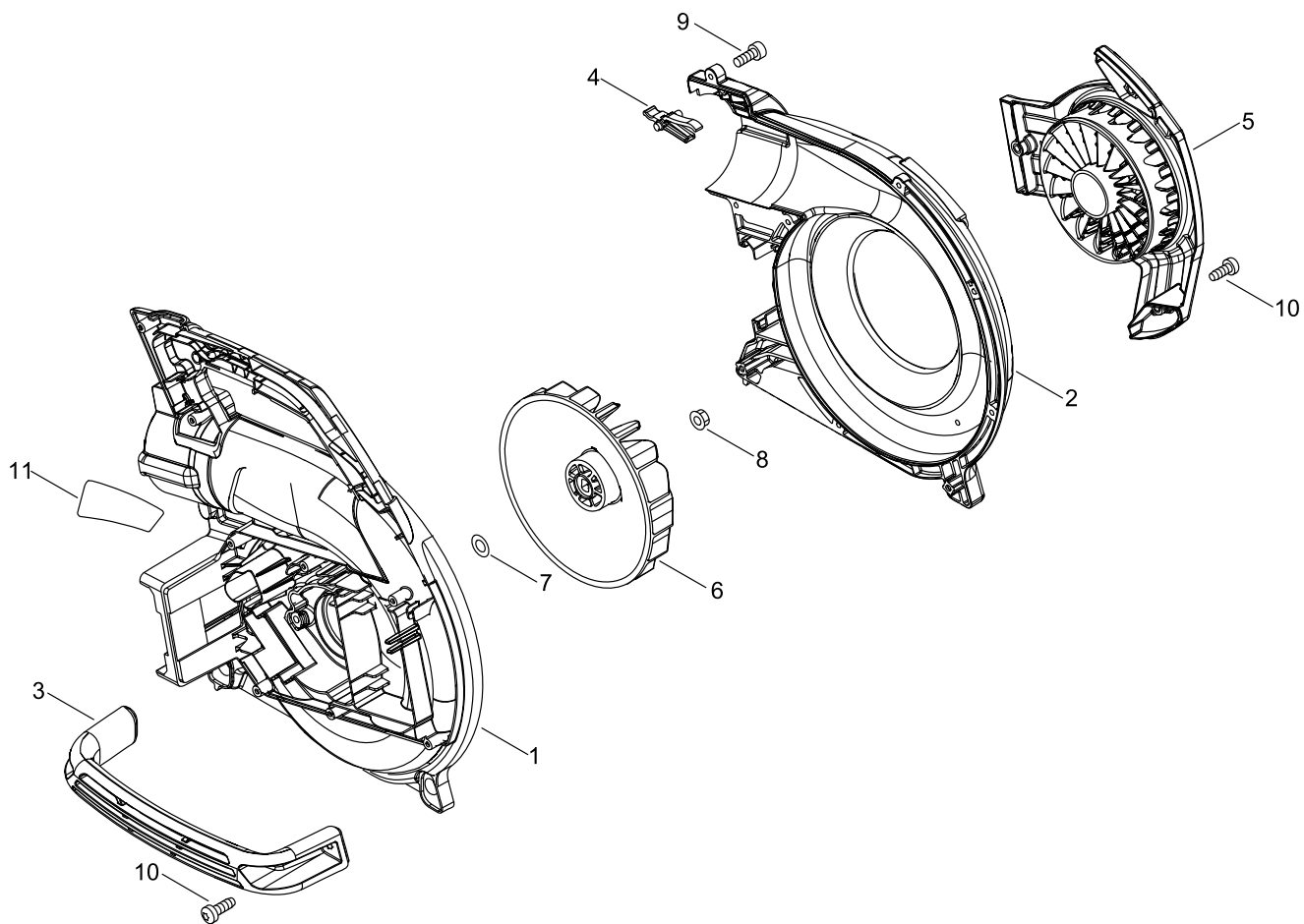
MOTOR



MOTOR

KEY NO	LV(+)	Part No	Description	Qty	Standard	Comment
1		A054-000270	MOTOR,ASM	1		
2	+	A041-000770	STATOR ASSEMBLY	1		
3	+	M102-000800	ROTOR	1		
4	+	A538-000350	CASE,MOTOR	1		
5	+	A538-000360	CASE,MOTOR	1		
6	+	V804-000050	BOLT, TORX 4	2	TB-4*12 10.9	
7		A539-000390	COVER,MOTOR	1		
8		V805-000210	BOLT, TORX 5	3	TB-5*20 12.9	
9		V804-000010	BOLT, TORX 4	6	TT-4*16 DG 10.9	
10		V486-000500	TERMINAL,LEAD	1		
11		A047-000320	BOARD,ASM CONTROL	1		
12		X543-004840	LABEL,MODEL	1		

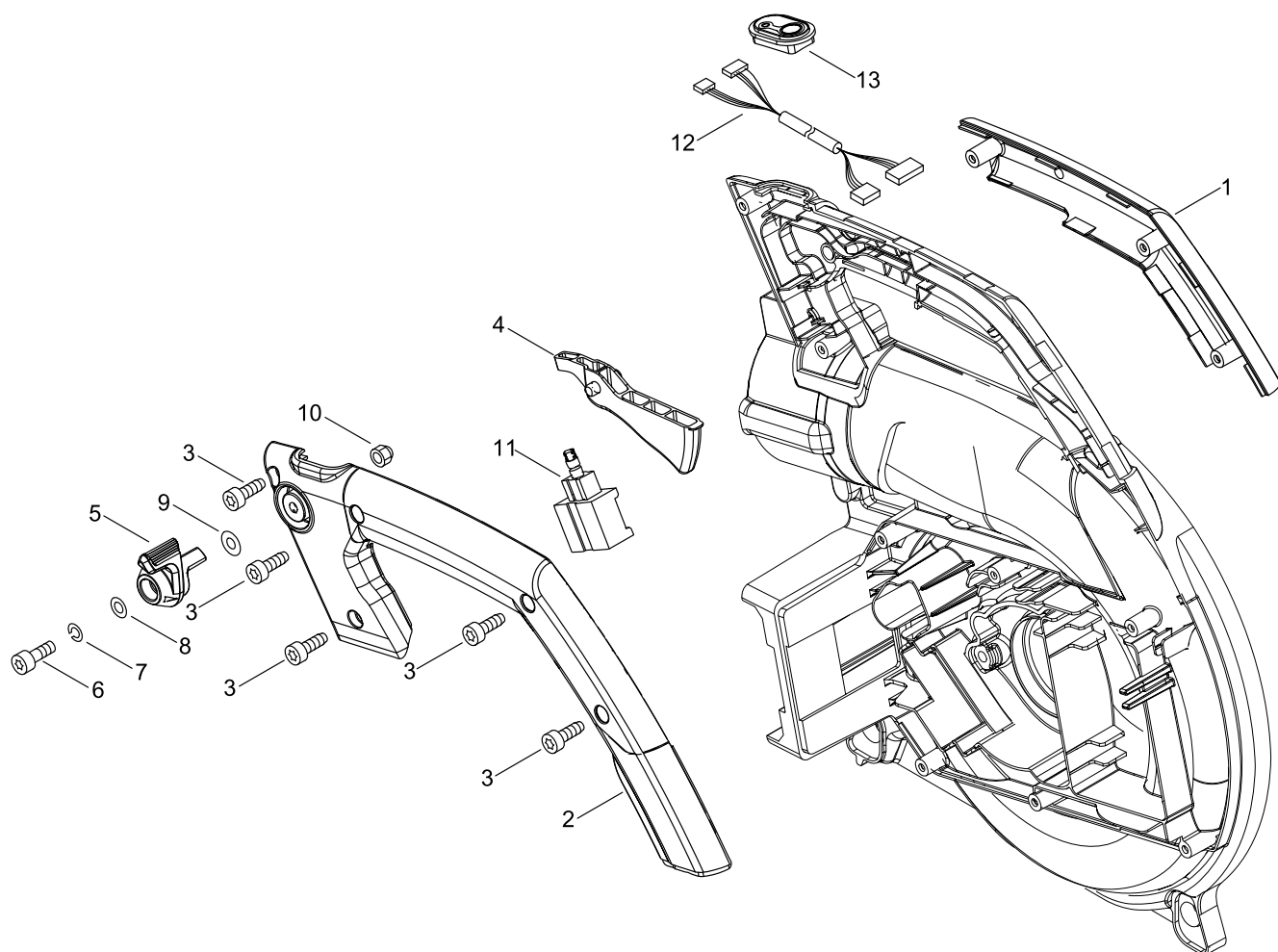
FAN CASE



FAN CASE

KEY NO	LV(+)	Part No	Description	Qty	Standard	Comment
1		E103-001380	CASE,FAN	1		
2		E103-001390	CASE,FAN	1		
3		C410-001400	HANDLE, REAR	1		
4		C662-000050	PIECE,LEVER	1	PB-250	
5		E104-000260	GRID, BLOWER	1		
6		E100-000280	FAN,BLOWER	1		
7		900600-00010	WASHER 10	1	10	
8		92105-08000	NUT, FLANGE	1	M8*1.25 L	
9		V804-000010	BOLT, TORX 4	7	TT-4*16 DG 10.9	
10		V805-000010	BOLT, TORX 5	5	TT-5*20 DG 10.9	
11		X505-008910	LABEL,CAUTION	1		

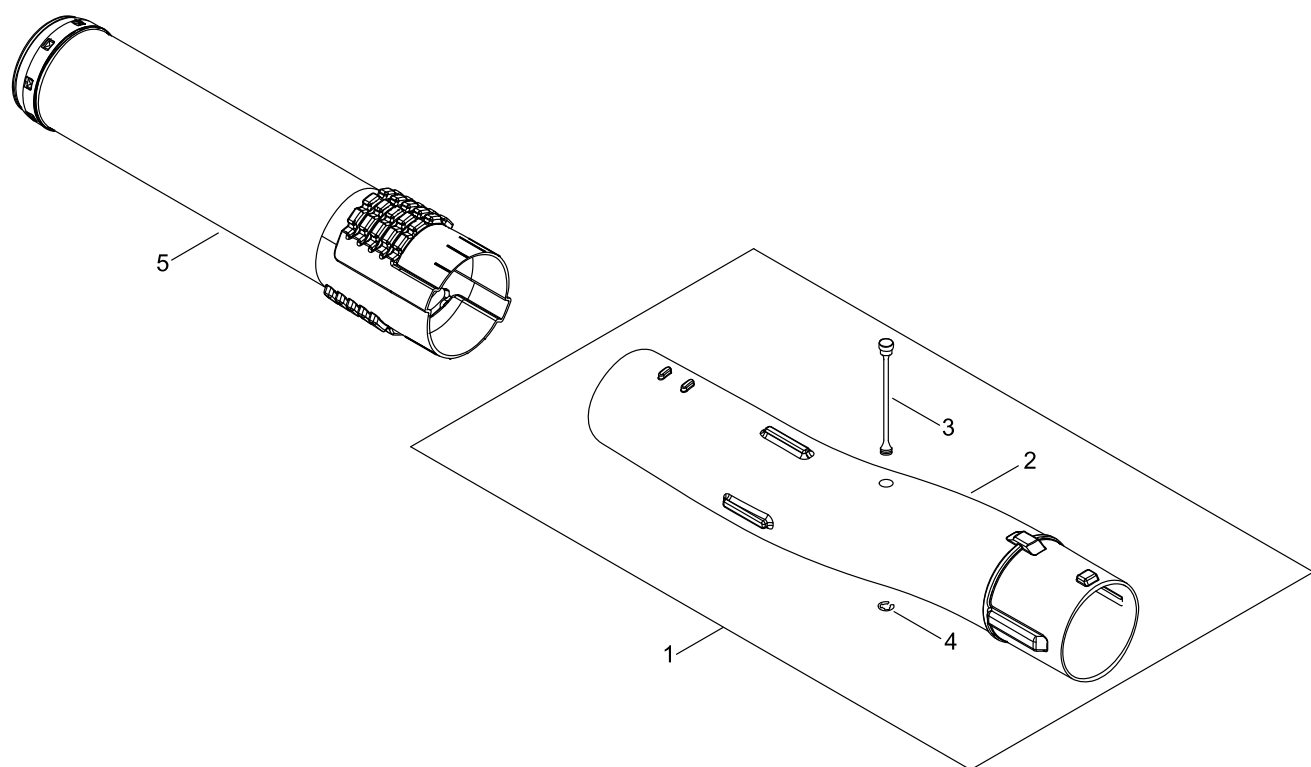
THROTTLE



THROTTLE

KEY NO	LV(+)	Part No	Description	Qty	Standard	Comment
1		C412-000730	GRIP, HANDLE	1		
2		C411-000220	LID,HANDLE	1		
3		V804-000010	BOLT, TORX 4	5	TT-4*16 DG 10.9	
4		C450-001020	TRIGGER,THROTTLE	1		
5		C453-000640	LEVER,THROTTLE	1		
6		V805-000170	BOLT, TORX 5	1	TB-5*25 10.9	
7		900605-00005	WASHER, SPRING 5	1	5	
8		900602-00005	WASHER 5	1	5.3*10*1	
9		900603-00005	WASHER 5	1	5.5*12*0.8	
10		900562-50005	LOCKNUT 5	1	5	
11		G334-001830	SWITCH	1	G33407S0080	
12		C130-000680	HARNESS, WIRE	1		
13		A047-000310	BOARD,ASM CONTROL	1		

PIPE



PIPE

KEY NO	LV(+)	Part No	Description	Qty	Standard	Comment
1		E165-000381	PIPE,BLOWER	1		
2	+	E165-000391	PIPE,BLOWER	1		
3	+	E178-000050	GUARD,PIPE	1		
4	+	V583-000080	RING	1	CE-5	
5		E165-000790	PIPE,BLOWER	1		

NUMERICAL PARTS INDEX

Part No	Part description	Page
900562-50005	LOCKNUT 5	6
900600-00010	WASHER 10	4
900602-00005	WASHER 5	6
900603-00005	WASHER 5	6
900605-00005	WASHER, SPRING 5	6
92105-08000	NUT, FLANGE	4
A041-000770	STATOR ASSEMBLY	2
A047-000310	BOARD,ASM CONTROL	6
A047-000320	BOARD,ASM CONTROL	2
A054-000270	MOTOR,ASM	2
A538-000350	CASE,MOTOR	2
A538-000360	CASE,MOTOR	2
A539-000390	COVER,MOTOR	2
C130-000680	HARNESS, WIRE	6
C410-001400	HANDLE, REAR	4
C411-000220	LID,HANDLE	6
C412-000730	GRIP, HANDLE	6
C450-001020	TRIGGER,THROTTLE	6
C453-000640	LEVER,THROTTLE	6
C662-000050	PIECE,LEVER	4
E100-000280	FAN,BLOWER	4
E103-001380	CASE,FAN	4
E103-001390	CASE,FAN	4
E104-000260	GRID, BLOWER	4
E165-000381	PIPE,BLOWER	8
E165-000391	PIPE,BLOWER	8
E165-000790	PIPE,BLOWER	8
E178-000050	GUARD,PIPE	8
G334-001830	SWITCH	6
M102-000800	ROTOR	2
V486-000500	TERMINAL,LEAD	2
V583-000080	RING	8
V804-000010	BOLT, TORX 4	2
V804-000010	BOLT, TORX 4	4
V804-000010	BOLT, TORX 4	6
V804-000050	BOLT, TORX 4	2
V805-000010	BOLT, TORX 5	4
V805-000170	BOLT, TORX 5	6
V805-000210	BOLT, TORX 5	2
X505-008910	LABEL,CAUTION	4
X543-004840	LABEL,MODEL	2