

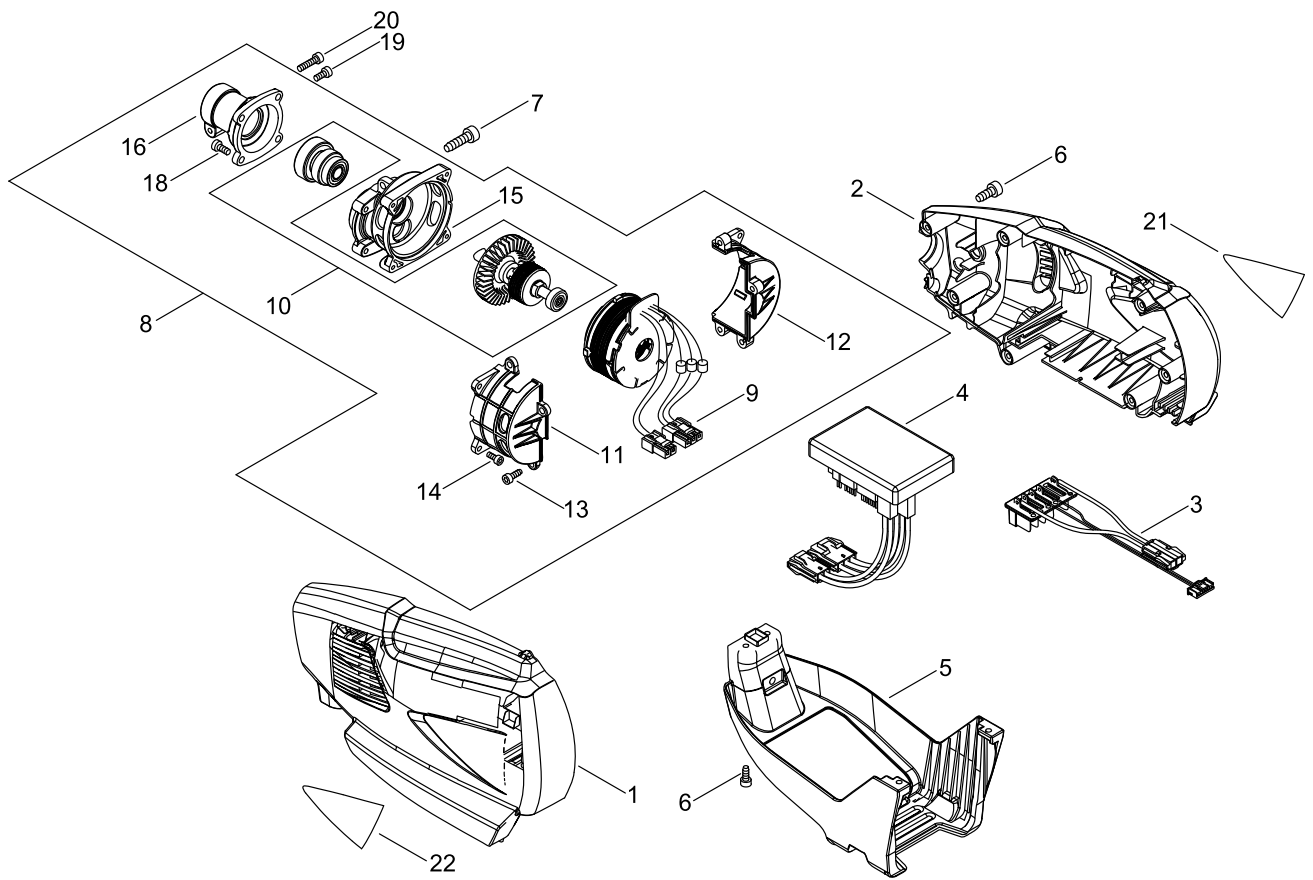
DSRM-300/C1

Published:11/22/2017

TABLE OF CONTENTS

MOTOR	1
GEAR CASE	3
MAIN PIPE, HANDLE	5
THROTTLE LEVER	7
ACCESSORIES	9
NYLON LINE CUTTER.....	11

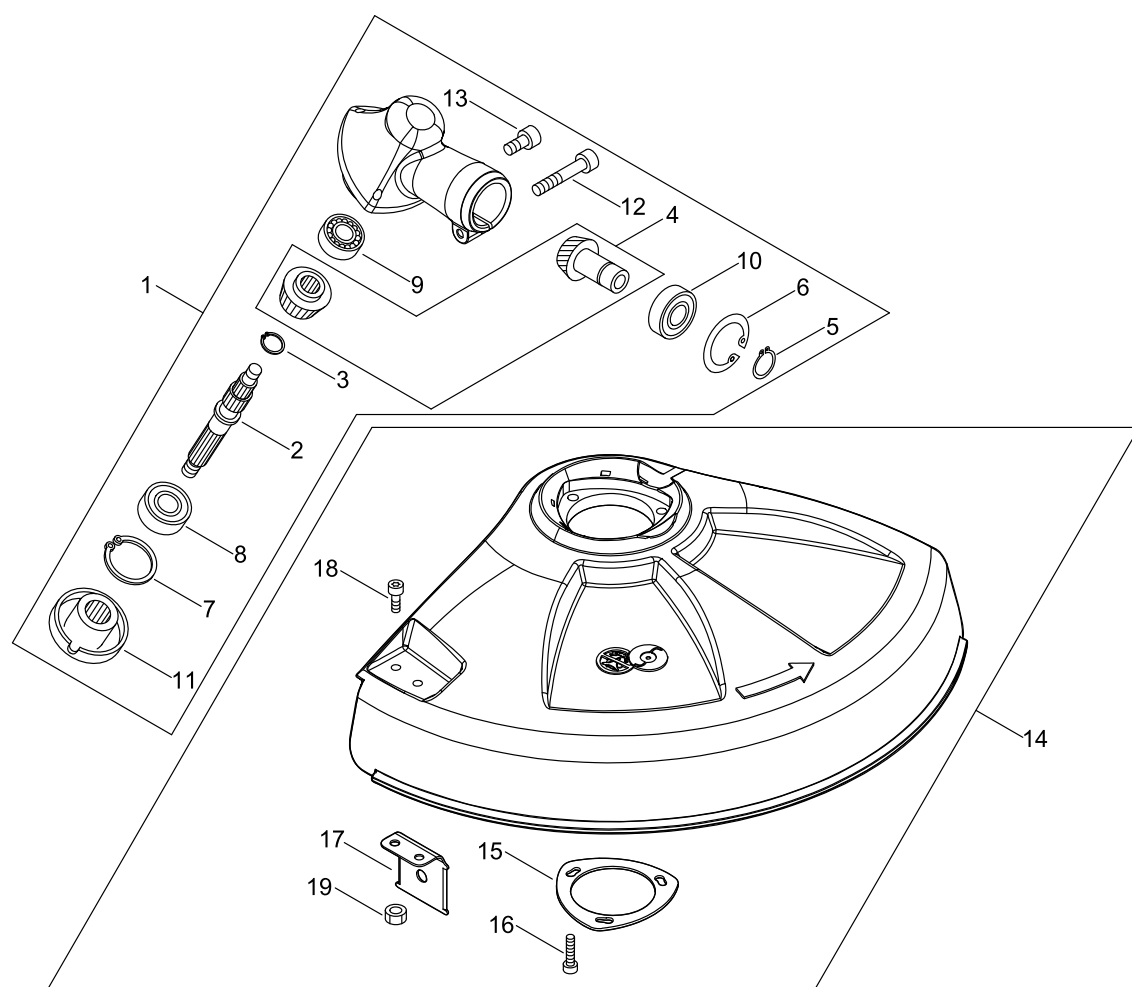
MOTOR



MOTOR

KEY NO	LV(+)	Part No	Description	Qty	Standard	Comment
1		A539-000320	COVER,MOTOR	1		
2		A539-000330	COVER,MOTOR	1		
3		V486-000490	TERMINAL,LEAD	1	SANYO 56V	
4		A047-000350	BOARD,ASM CONTROL	1		
5		A175-000370	STAND	1		
6		V804-000010	BOLT, TORX 4	11	TT-4*16 DG 10.9	
7		V805-000010	BOLT, TORX 5	2	TT-5*20 DG 10.9	
8		A054-000260	MOTOR,ASM	1		
9	+	A041-000760	STATOR ASSEMBLY	1	P0.95X25	
10	+	P100-001860	ROTOR SET	1		
11	+	A538-000320	CASE,MOTOR	1		
12	+	A538-000330	CASE,MOTOR	1		
13	+	V804-000000	BOLT, TORX 4	4	TT-4*12 DG 10.9	
14	+	V804-000060	BOLT, TORX 4	4	TB-4*16 10.9	
15	+	C531-001070	CASE,GEAR	1		
16	+	A575-000610	FIXTURE, MAIN PIPE	1		
18	+	V805-000150	BOLT, TORX 5	4	TB-5*16 10.9	
19		V805-000130	BOLT, TORX 5	1	TB-5*10 10.9	
20		V805-000170	BOLT, TORX 5	1	TB-5*25 10.9	
21		X503-013770	LABEL,MODEL	1	DSRM-300	
22		X503-013780	LABEL,MODEL	1	DSRM-300	

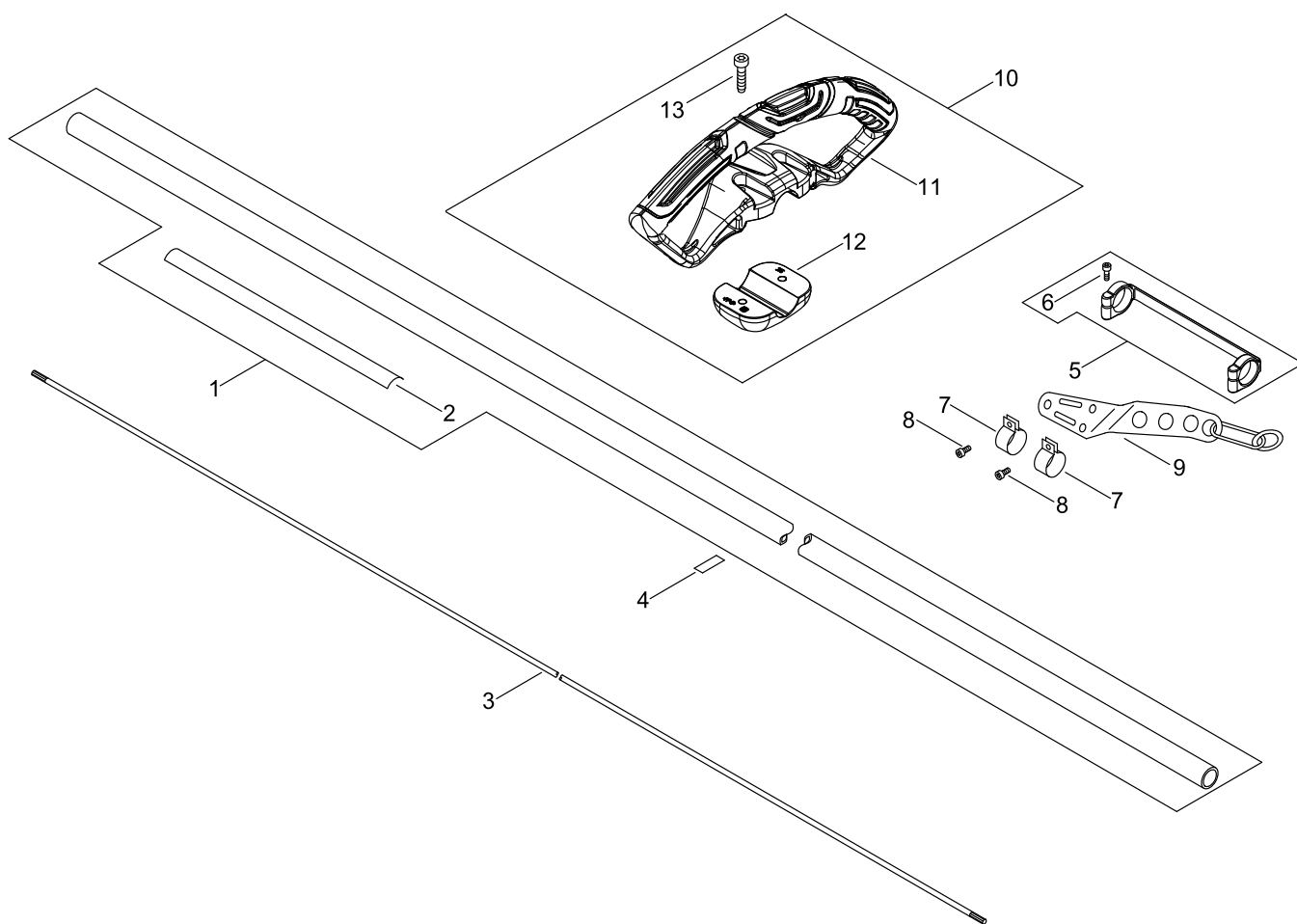
GEAR CASE



GEAR CASE

KEY NO	LV(+)	Part No	Description	Qty	Standard	Comment
1		C051-001290	CASE,GEAR	1		
2	+	P022-039240	SHAFT,GEAR	1		
3	+	P022-039250	RING,SNAP	1	WR12	
4	+	P100-000480	BEVEL GEAR SET	1		
5	+	P022-020700	CIRCLIP 9	1		
6	+	P022-020690	CIRCLIP 24	1		
7	+	P022-039270	CIRCLIP 24	1	R32	
8	+	P022-039860	BEARING, BALL	1		
9	+	P022-020720	BEARING, BALL	1		
10	+	P022-020710	BEARING, BALL	1		
11	+	P022-039720	HOLDER	1		
12	+	V805-000170	BOLT, TORX 5	1	TB-5*25 10.9	
13	+	V805-000130	BOLT, TORX 5	1	TB-5*10 10.9	
14		P021-051710	SHIELD KIT	1		
15	+	C552-000220	PLATE, SHIELD	1		
16	+	V203-002110	BOLT,5	3	TB-5*16 10.9	
17	+	C554-000070	KNIFE, CORD	1		
18	+	V835-000010	BOLT, TORX 5	2	TB-5*12 10.9	
19	+	900500-00005	NUT 5	2	5	

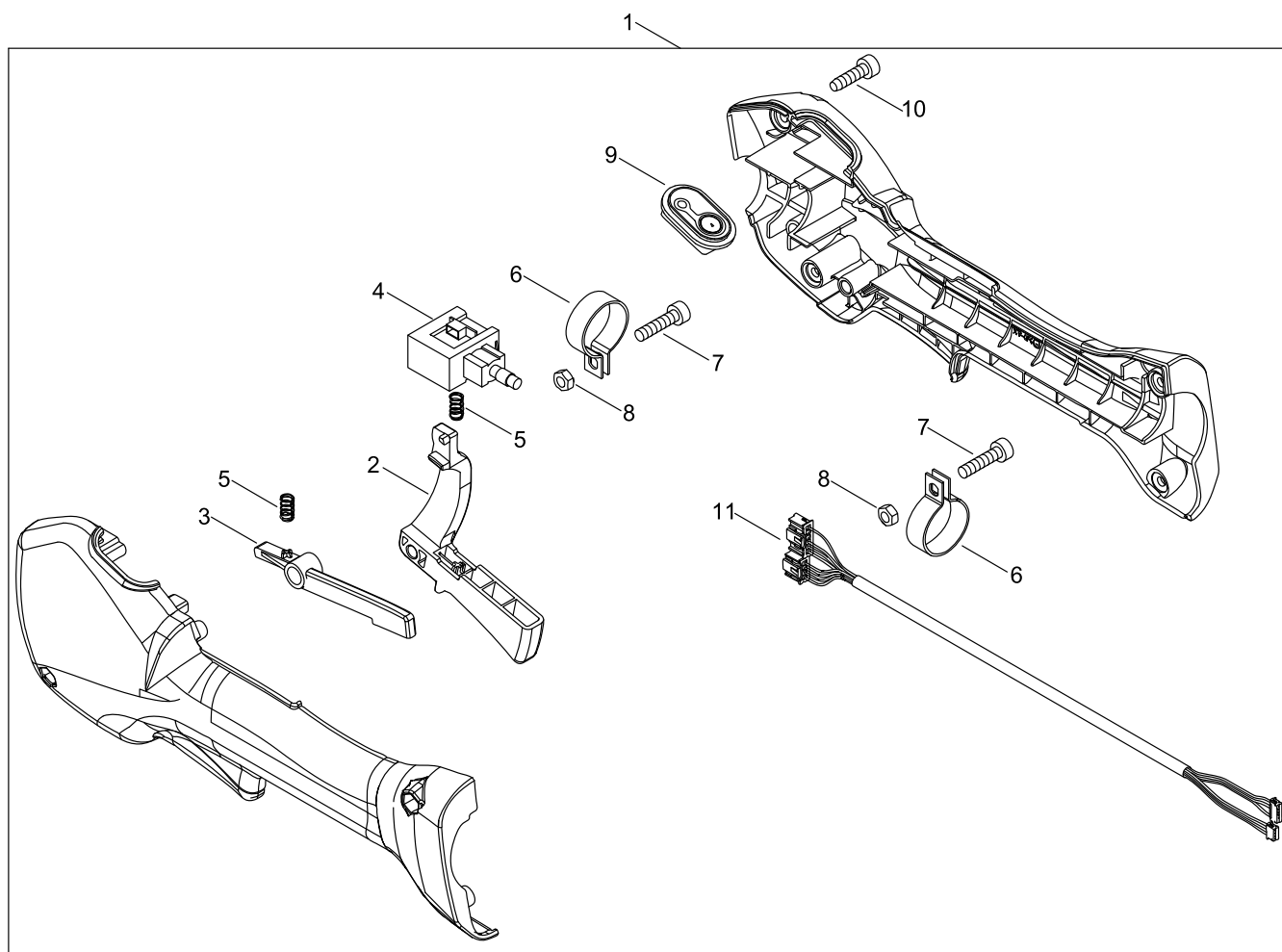
MAIN PIPE, HANDLE



MAIN PIPE, HANDLE

KEY NO	LV(+)	Part No	Description	Qty	Standard	Comment
1		P021-051780	MAIN PIPE ASY	1		
2	+	X505-008900	LABEL, CAUTION	1		
3		C504-001250	SHAFT, DRIVE	1	6	
4		890152-04930	LABEL, CAUTION	1		
5		P021-041020	COLLER	1		
6	+	V804-000020	BOLT, TORX 4	2	TT-4*20 DG 10.9	
7		V495-001010	BAND	2		
8		V805-000150	BOLT, TORX 5	2	TB-5*16 10.9	
9		C624-000020	HANGER, HARNESS	1		
10		P021-049580	FRONT HANDLE ASY	1		
11	+	C400-001480	HANDLE, FRONT	1	2-SHOT SRM STYLE	
12	+	C423-001010	FIXTURE, HANDLE	1	REF C400227-100X	
13	+	V805-000050	BOLT, TORX 5	2	TB-5*30 10.9	

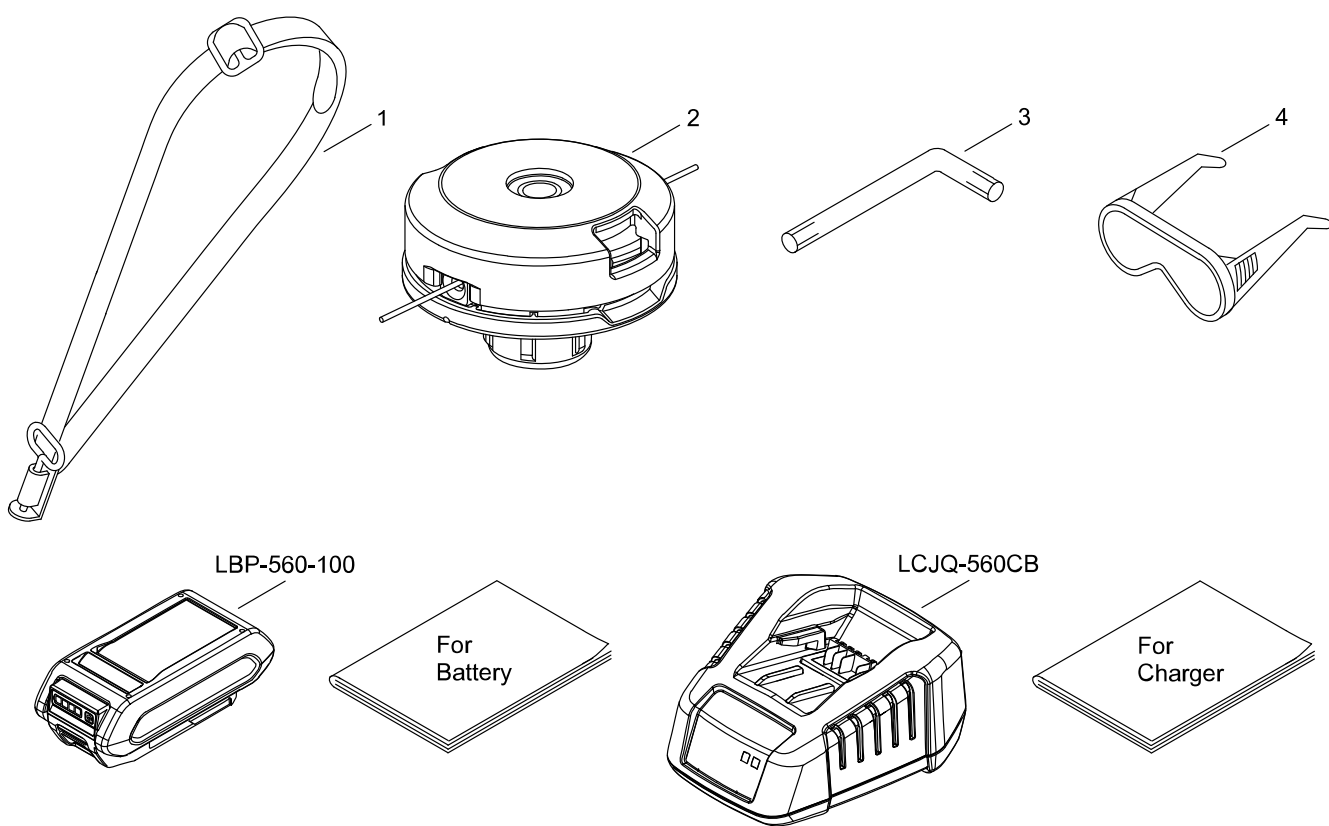
THROTTLE LEVER



THROTTLE LEVER

KEY NO	LV(+)	Part No	Description	Qty	Standard	Comment
1		P021-051700	THROTTLE LEVER ASY	1		
2	+	C453-000590	LEVER, THROTTLE	1		
3	+	C460-000550	LOCKOUT, THROTTLE	1		
4	+	G334-001830	SWITCH	1	G33407S0080	
5	+	V450-000860	COIL SPRING	2		
6	+	V495-003020	BAND	2		
7	+	V805-000150	BOLT, TORX 5	2	TB-5*16 10.9	
8	+	900590-00005	NUT 5 #2	2	5 #2	
9	+	A047-000270	BOARD,ASM CONTROL	1		
10	+	V804-000010	BOLT, TORX 4	5	TT-4*16 DG 10.9	
11	+	C130-000640	HARNESS, WIRE	1		

ACCESSORIES

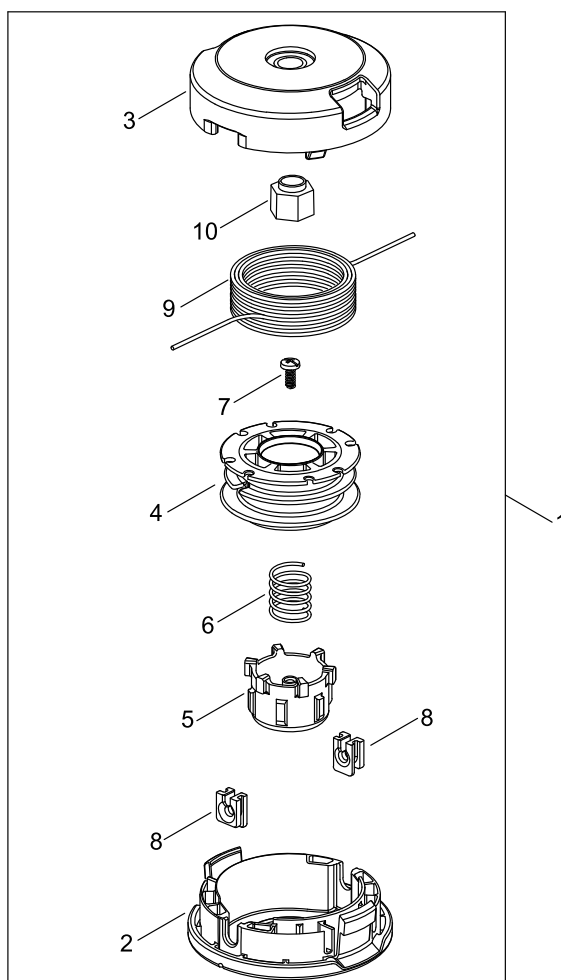


* Batteries and charger are handle as accessories instead of spare parts.
Please place an order of batteries and charger at the same time as unit order.

ACCESSORIES

KEY NO	LV(+)	Part No	Description	Qty	Standard	Comment
1		C062-000021	HARNESS,SHOULDER	1		
2		X047-001020	CUTTER,ASM LINE	1	G138507	
3		X605-000060	TOOL,L WRENCH	1	80*30 T27 2- ENDS	
4		X690-000080	GOGGLE	1	SI CHINA, Z87.1	

NYLON LINE CUTTER



NYLON LINE CUTTER

KEY NO	LV(+)	Part No	Description	Qty	Standard	Comment
1		X047-001020	CUTTER,ASM LINE	1	G138507	
2	+	P022-025530	CASE	1		
3	+	P022-025540	COVER	1		
4	+	P022-025550	REEL	1		
5	+	P022-025560	BUTTON	1		
6	+	P022-025570	RETURN SPRING	1		
7	+	P022-025580	SET SCREW	1		
8	+	P022-025590	CORD GUIDE	2		
9	+	P022-034150	NYLON CORD	1		
10	+	P022-025610	SHAFT	1		

NUMERICAL PARTS INDEX

Part No	Part description	Page	Part No	Part description	Page
890152-04930	LABEL, CAUTION	6	P022-039250	RING,SNAP	4
900500-00005	NUT 5	4	P022-039270	CIRCLIP 24	4
900590-00005	NUT 5 #2	8	P022-039720	HOLDER	4
A041-000760	STATOR ASSEMBLY	2	P022-039860	BEARING, BALL	4
A047-000270	BOARD,ASM CONTROL	8	P100-000480	BEVEL GEAR SET	4
A047-000350	BOARD,ASM CONTROL	2	P100-001860	ROTOR SET	2
A054-000260	MOTOR,ASM	2	V203-002110	BOLT,5	4
A175-000370	STAND	2	V450-000860	COIL SPRING	8
A538-000320	CASE,MOTOR	2	V486-000490	TERMINAL,LEAD	2
A538-000330	CASE,MOTOR	2	V495-001010	BAND	6
A539-000320	COVER,MOTOR	2	V495-003020	BAND	8
A539-000330	COVER,MOTOR	2	V804-000000	BOLT, TORX 4	2
A575-000610	FIXTURE, MAIN PIPE	2	V804-000010	BOLT, TORX 4	2
C051-001290	CASE,GEAR	4	V804-000010	BOLT, TORX 4	8
C062-000021	HARNES,SHOULDER	10	V804-000020	BOLT, TORX 4	6
C130-000640	HARNES, WIRE	8	V804-000060	BOLT, TORX 4	2
C400-001480	HANDLE, FRONT	6	V805-000010	BOLT, TORX 5	2
C423-001010	FIXTURE, HANDLE	6	V805-000050	BOLT, TORX 5	6
C453-000590	LEVER, THROTTLE	8	V805-000130	BOLT, TORX 5	2
C460-000550	LOCKOUT, THROTTLE	8	V805-000130	BOLT, TORX 5	4
C504-001250	SHAFT, DRIVE	6	V805-000150	BOLT, TORX 5	2
C531-001070	CASE,GEAR	2	V805-000150	BOLT, TORX 5	6
C552-000220	PLATE, SHIELD	4	V805-000150	BOLT, TORX 5	8
C554-000070	KNIFE, CORD	4	V805-000170	BOLT, TORX 5	2
C624-000020	HANGER,HARNES	6	V805-000170	BOLT, TORX 5	4
G334-001830	SWITCH	8	V835-000010	BOLT, TORX 5	4
P021-041020	COLLER	6	X047-001020	CUTTER,ASM LINE	10
P021-049580	FRONT HANDLE ASY	6	X047-001020	CUTTER,ASM LINE	12
P021-051700	THROTTLE LEVER ASY	8	X503-013770	LABEL,MODEL	2
P021-051710	SHIELD KIT	4	X503-013780	LABEL,MODEL	2
P021-051780	MAIN PIPE ASY	6	X505-008900	LABEL,CAUTION	6
P022-020690	CIRCLIP 24	4	X605-000060	TOOL,L WRENCH	10
P022-020700	CIRCLIP 9	4	X690-000080	GOGGLE	10
P022-020710	BEARING, BALL	4			
P022-020720	BEARING, BALL	4			
P022-025530	CASE	12			
P022-025540	COVER	12			
P022-025550	REEL	12			
P022-025560	BUTTON	12			
P022-025570	RETURN SPRING	12			
P022-025580	SET SCREW	12			
P022-025590	CORD GUIDE	12			
P022-025610	SHAFT	12			
P022-034150	NYLON CORD	12			
P022-039240	SHAFT,GEAR	4			