

# HCA-2620ES-HD

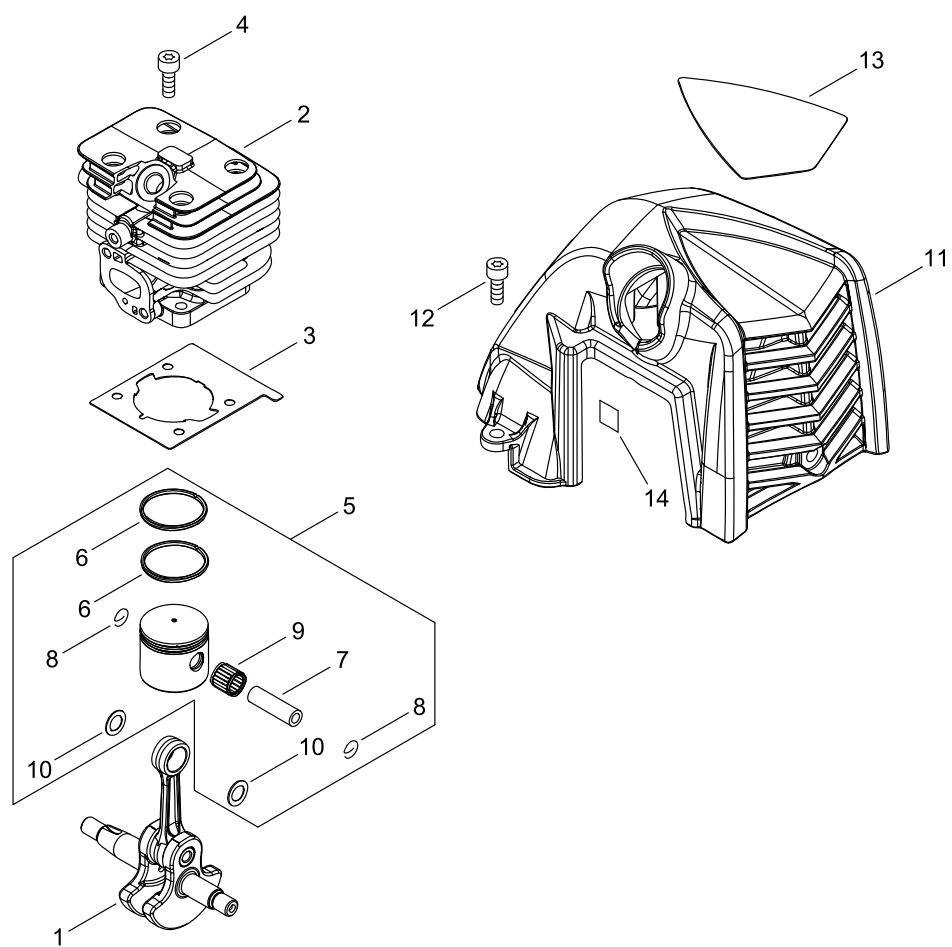
Published:06/20/2019

## TABLE OF CONTENTS

---

CYLINDER, PISTON, CRANKSHAFT.....	1
CRANKCASE .....	3
MAGNETO.....	5
CLUTCH.....	7
AIR CLEANER, CARBURETOR.....	9
CARBURETOR.....	11
FUEL TANK.....	13
MUFFLER .....	15
RECOIL STARTER, PULLY .....	17
GEAR CASE.....	19
CUTTING BLADE.....	21
MAIN PIPE .....	23
THROTTLE .....	25
ACCESSORIES.....	27

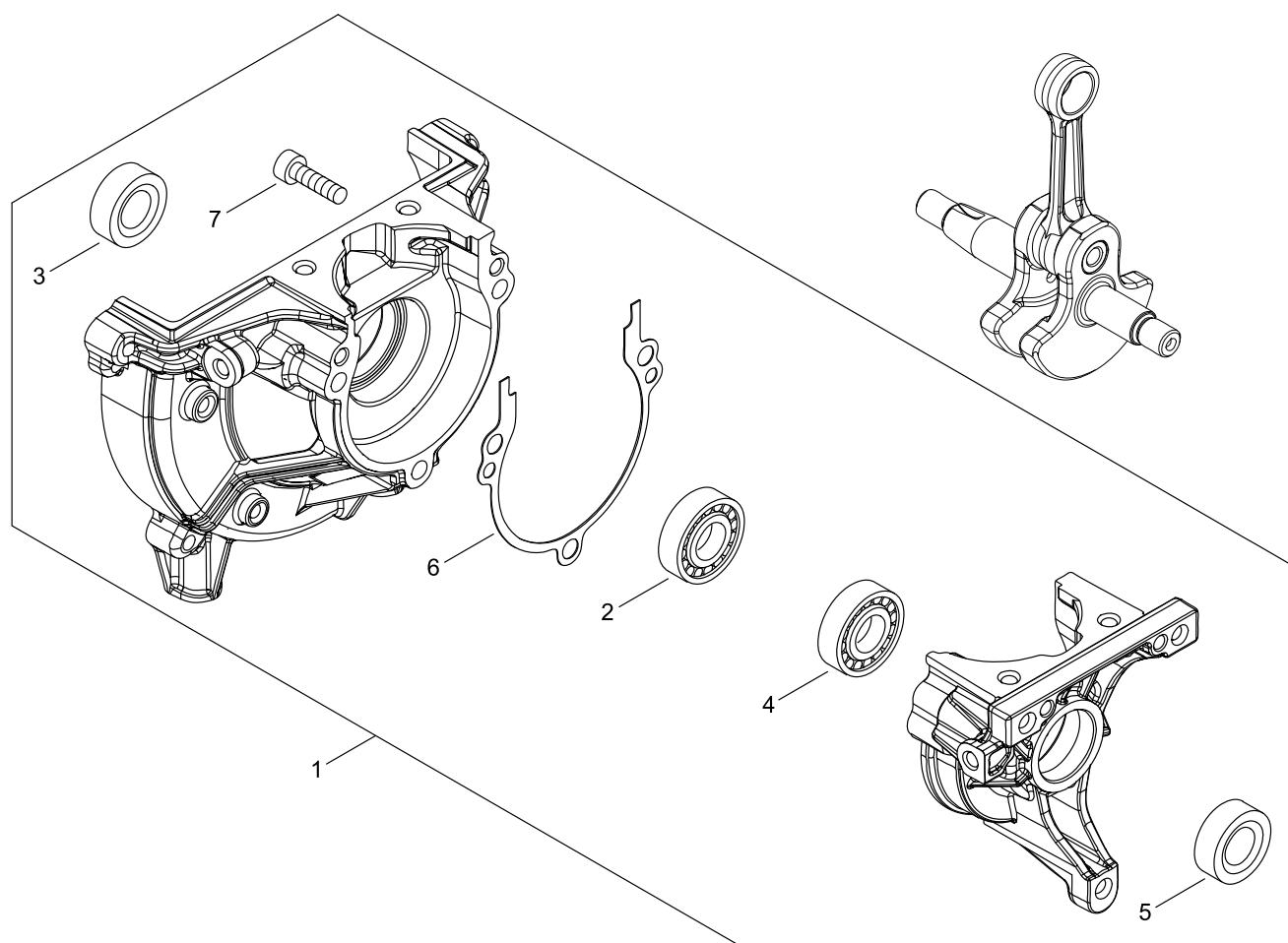
# CYLINDER, PISTON, CRANKSHAFT



## CYLINDER, PISTON, CRANKSHAFT

KEY NO	LV(+)	Part No	Description	Qty	Standard	Comment
1		A011-001460	CRANKSHAFT,ASY	1		
2		A130-002330	CYLINDER	1		
3		V100-000840	GASKET,CYL	1		
4		V805-000210	BOLT, TORX 5	4	TB-5*20 12.9	
5		P021-050840	PISTON KIT	1		
6	+	A101-000010	RING,PISTON	2		
7	+	100013-35430	PIN, PISTON	1	6*9*27.8	
8	+	100015-03931	CIRCLIP, PISTON PIN	2		
9	+	V554-000020	BEARING,NEEDLE 9	1	KTV-91212EG14-B2	
10	+	100014-53630	SPACER, PISTON PIN	2		
11		A160-003280	COVER,CYLINDER	1		
12		V835-000010	BOLT, TORX 5	2	TB-5*12 10.9	
13		X503-014720	LABEL,MODEL	1	HCA-2620ES	
14		X524-001901	LABEL	1		

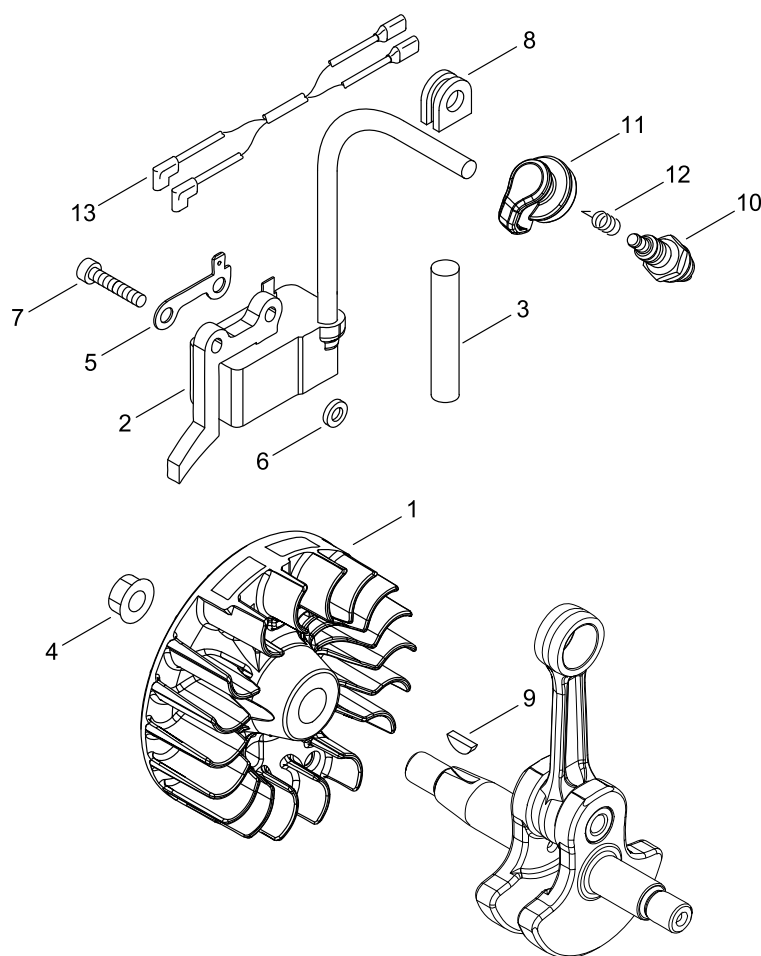
# CRANKCASE



## CRANKCASE

KEY NO	LV(+)	Part No	Description	Qty	Standard	Comment
1		P021-050850	CRANKCASE KIT	1		
2	+	900800-36001	BEARING, BALL	1	6001/C3	
3	+	100212-42031	OILSEAL	1	ISCD 12*22*4.5	
4	+	900810-36000	BEARING, BALL	1	6000	
5	+	V503-000040	SEAL,OIL 10	1	ISCD 10*20*5F	
6	+	V102-000300	GASKET,CRANKCASE	1		
7	+	V805-000220	BOLT, TORX 5	3	TB-5*25 12.9	

# MAGNETO

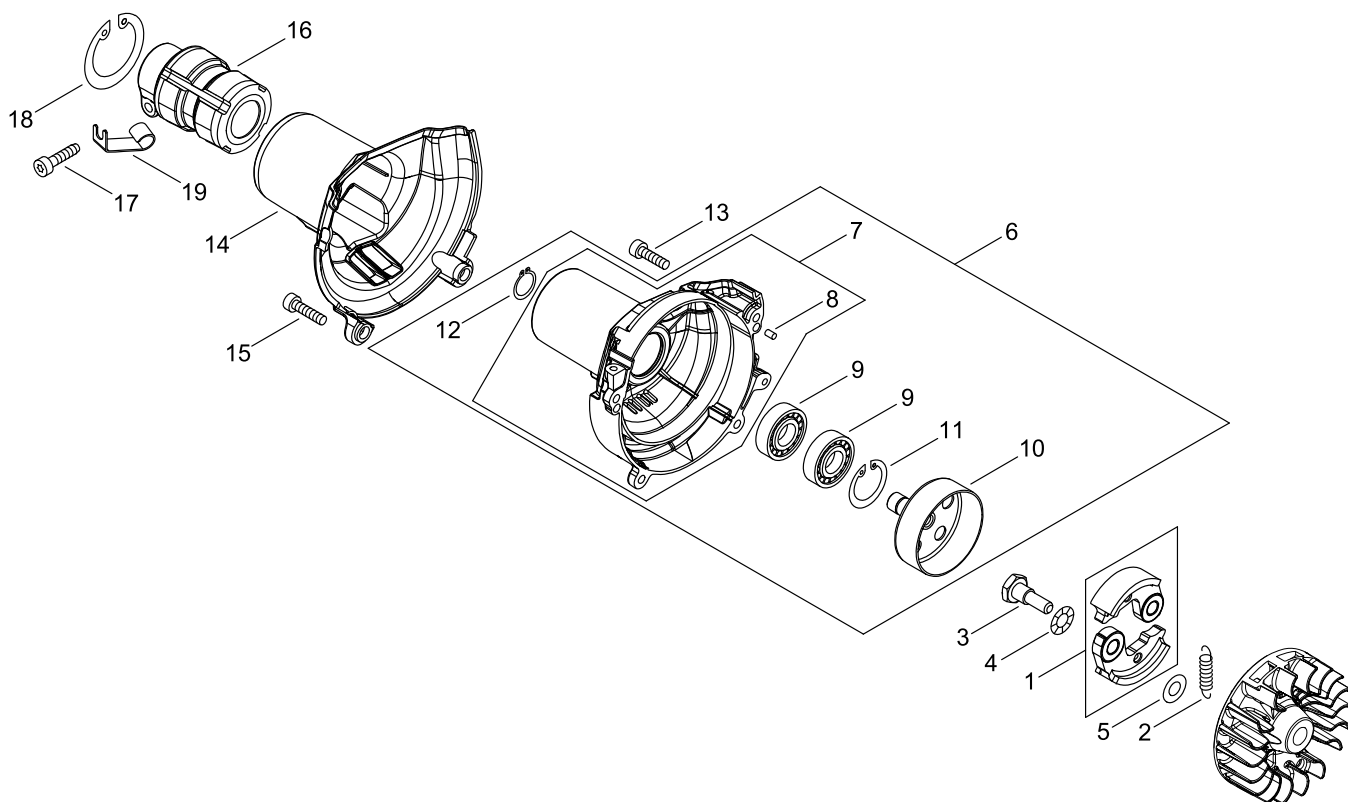


## MAGNETO

KEY NO	LV(+)	Part No	Description	Qty	Standard	Comment
1		A409-001320	ROTOR, MAGNETO	1		
2		A411-001790	COIL, IGNITION	1	ID#A10073A	
3		V475-007540	TUBE	1		
4		900515-00008	NUT, FLANGE 8	1	8	
5		C152-001030	CONNECTOR	1		
6		V323-000070	WASHER,CIRCULAR 5	2	5.2*10*3	
7		V805-000210	BOLT, TORX 5	2	TB-5*20 12.9	
8		156110-04920	BUSHING	1		
9		100142-12330	KEY, WOODRUFF	1		
10		A425-000060	SPARKPLUG	1	CMR7H	
11		A427-000221	CAP,SPARK PLUG	1		
12		A426-000010	TERMINAL,SPARKPLUG	1		
13		V485-002880	LEAD	1		



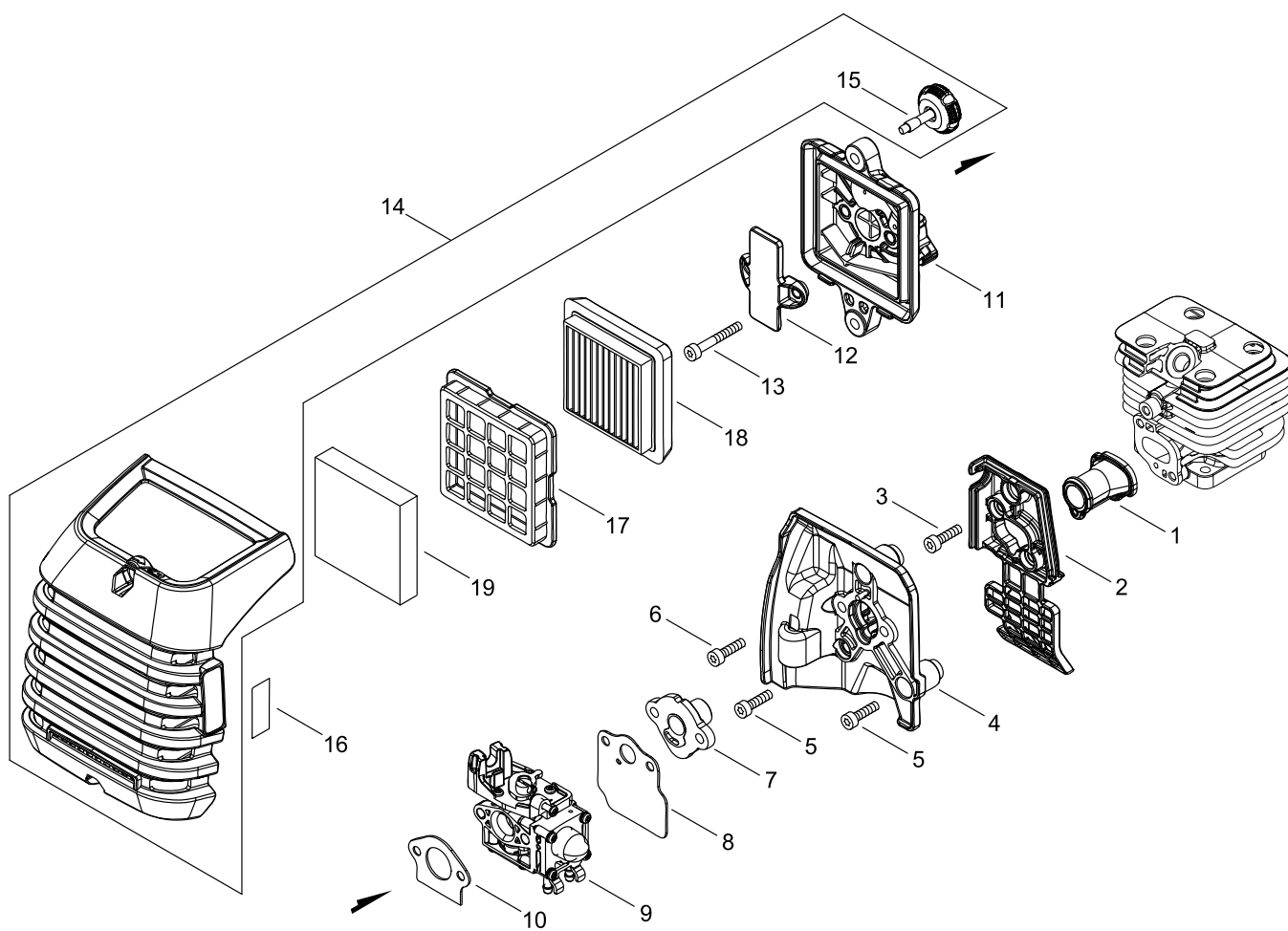
# CLUTCH



## CLUTCH

KEY NO	LV(+)	Part No	Description	Qty	Standard	Comment
1		P100-002270	ARM,CLUTCH SET	1		
2		V451-001390	SPRING,TENSION	1	172N/34MM	
3		175046-56030	SHAFT, CLUTCH	2		
4		175049-56030	WASHER	2	8.5*16*0.5	
5		175048-05530	WASHER (I)	2	6.2*19*1.0	
6		P100-005340	FAN COVER ASY	1		
7	+	A172-003142	COVER,FAN	1		
8	++	900330-40080	PIN F 4*8	2	4*8	
9	+	900807-06001	BEARING, BALL 6001	2	6001V(LB)	
10	+	A556-001760	DRUM,CLUTCH	1		
11	+	900702-00028	CIRCLIP 28	1	CR-28	
12	+	900701-00012	CIRCLIP 12	1	CS-12	
13		V805-000150	BOLT, TORX 5	2	TB-5*16 10.9	
14		A413-000080	BOOT	1		
15		V805-000160	BOLT, TORX 5	2	TB-5*20 10.9	
16		A575-000110	FIXTURE,MAIN PIPE	1		
17		V805-000170	BOLT, TORX 5	1	TB-5*25 10.9	
18		900702-00042	CIRCLIP 42	1	CR-42	
19		V490-001520	CLIP	1		

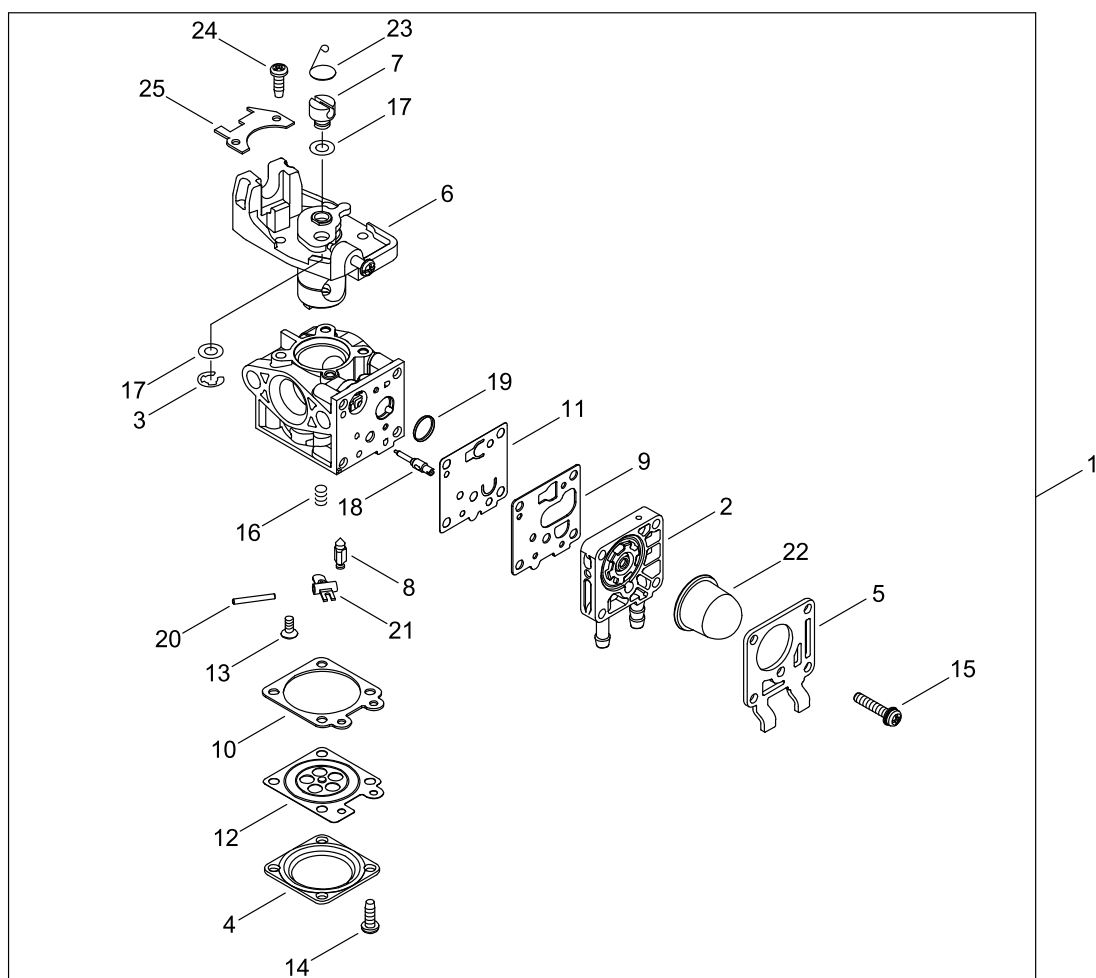
# AIR CLEANER, CARBURETOR



## AIR CLEANER, CARBURETOR

KEY NO	LV(+)	Part No	Description	Qty	Standard	Comment
1		A202-000300	BELLOWS, INTAKE	1		
2		A206-000040	HOLDER, BELLOWS	1		
3		V253-001020	SCREW,5	2	TB2411 10MM	
4		A209-001010	PLATE, INSULATOR	1		
5		V805-000150	BOLT, TORX 5	2	TB-5*16 10.9	
6		V855-000000	BOLT, TORX 5	1	TB-5*20	
7		A209-001000	PLATE, INSULATOR	1		
8		V103-001890	GASKET,INTAKE	1		
9		A021-004600	CARBURETOR, DIAPHRAGM	1	WYG-9	
10		V103-001900	GASKET,INTAKE	1		
11		P021-050880	CLEANER CASE ASY	1		
12		A244-000370	PLATE,PREVENT	1		
13		V805-000340	BOLT, TORX 5	2	TB-5*60 10.9	
14		P100-003600	LID,CLEANER ASY	1		
15	+	V299-000640	KNOB,FASTENER	2		
16		890332-52730	LABEL, CHOKE	1		
17		A227-000050	PLATE, ELEMENT	1		
18		A226-002030	ELEMENT, AIR FILTER	1		
19		A226-002040	ELEMENT, AIR FILTER	1	HP-70	

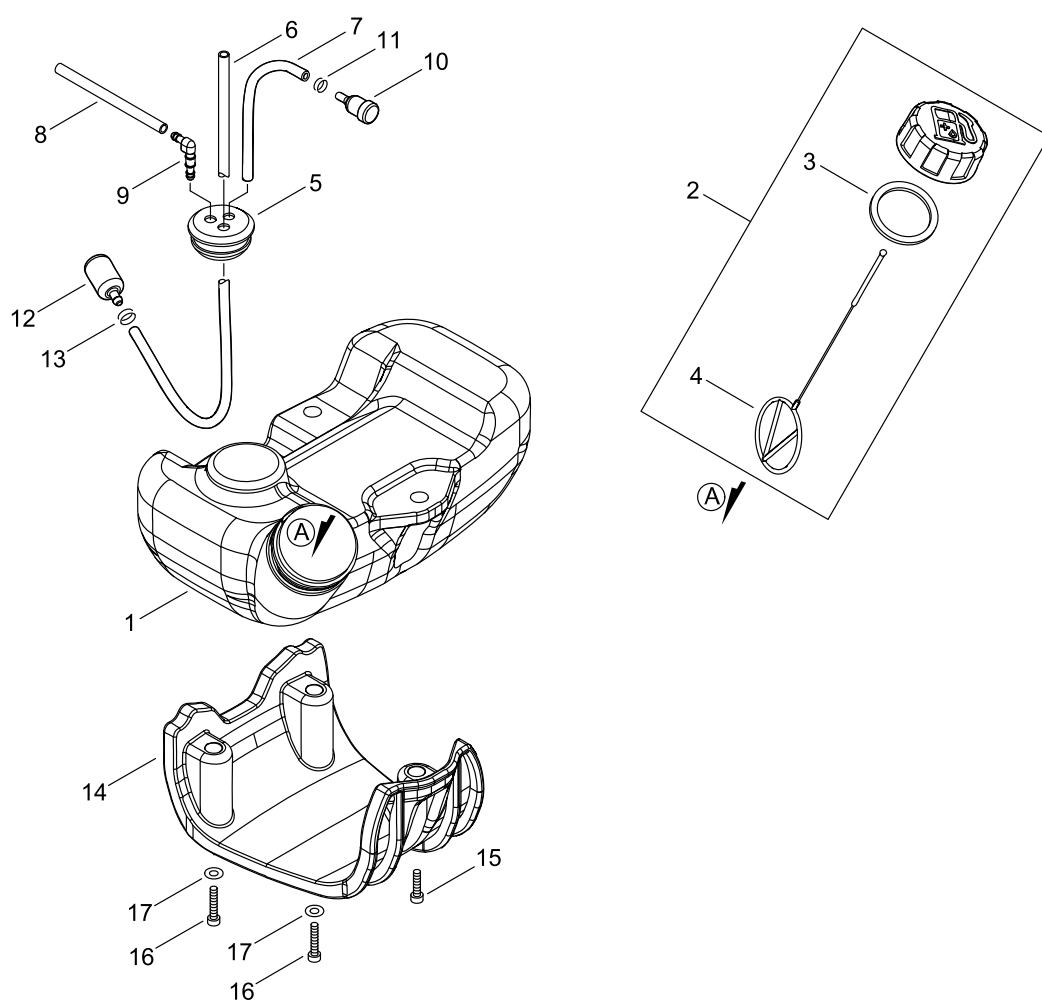
# CARBURETOR



## CARBURETOR

KEY NO	LV(+)	Part No	Description	Qty	Standard	Comment
1		A021-004600	CARBURETOR, DIAPHRAGM	1	WYG-9	
2	+	P003-006260	BODY ASSEMBLY, PUMP	1		
3	+	123173-07930	CLIP	1		
4	+	123142-03930	COVER, M. DIAPHRAGM	1		
5	+	P003-004510	COVER, FUEL PUMP	1		
6	+	P003-006140	VALVE, THROTTLE	1		
7	+	P003-005850	SWIVEL	1		
8	+	123137-19830	VALVE, INLET NEEDLE	1		
9	+	P003-004530	GASKET, FUEL PUMP	1		
10	+	123140-27230	GASKET,M. DIAPHRAGM	1		
11	+	P003-004540	DIAPHRAGM, FUEL PUMP	1		
12	+	P003-001670	DIAPHRAGM, METERING	1		
13	+	P003-005860	SCREW	1		
14	+	P003-004560	SCREW	4		
15	+	P003-004570	SCREW	4		
16	+	P003-005870	SPRING	1		
17	+	P003-001710	WASHER	2		
18	+	P003-005880	NEEDLE	1		
19	+	123126-10631	SCREEN, INLET	1		
20	+	123138-03930	PIN, METERING LEVER	1		
21	+	P003-001630	LEVER, METERING	1		
22	+	123181-09560	PUMP, PRIMER	1		
23	+	P003-005890	CLIP	1		
24	+	123114-40630	SCREW	3		
25	+	P003-005900	PLATE	1		

## FUEL TANK

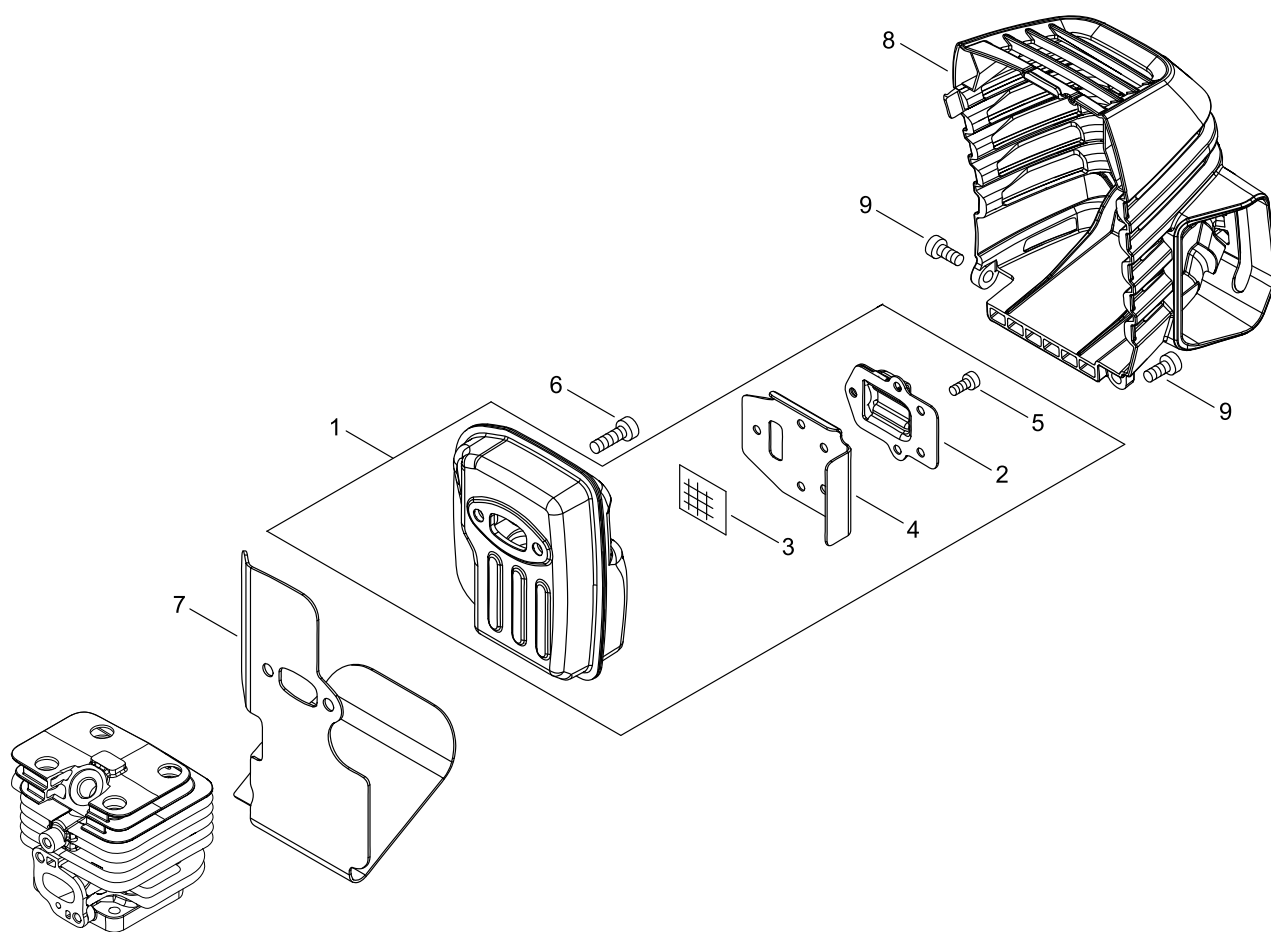


## FUEL TANK

KEY NO	LV(+)	Part No	Description	Qty	Standard	Comment
1		A350-002350	TANK, FUEL	1		
2		P021-012211	CAP,FUEL ASY	1		
3	+	V107-000190	GASKET,FUEL CAP	1	37.9*T2.2	
4	+	A365-000060	CONNECTOR,CAP	1	L=123	
5		132115-55931	GROMMET, FUEL	1	3 Φ5	
6		V471-001231	PIPE	1	3*5*210	
7		132010-06531	PIPE 3* 6* 85	1	3*6*85	
8		132012-56030	PIPE	1	3*6*80 YL	
9		V186-000500	JOINT,PIPE	1		
10		A356-000031	VALVE,CHECK	1		
11		V490-001230	CLIP	1		
12		A369-000470	STRAINER, FUEL	1		
13		V490-001240	CLIP	1		
14		A175-000040	STAND	1		
15		V805-000160	BOLT, TORX 5	1	TB-5*20 10.9	
16		V805-000170	BOLT, TORX 5	2	TB-5*25 10.9	
17		900602-00005	WASHER 5	2	5.3*10*1	



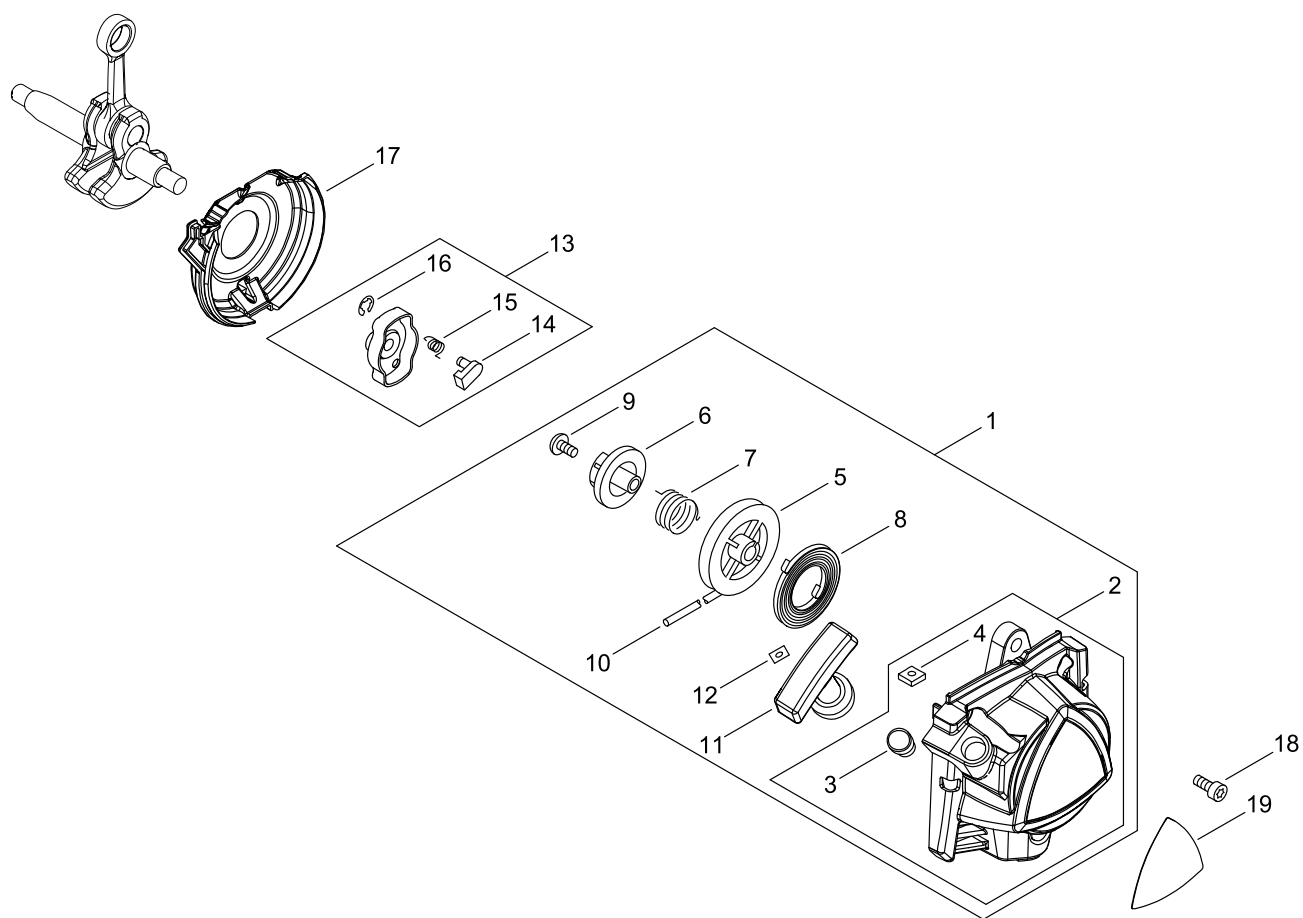
## MUFFLER



## MUFFLER

KEY NO	LV(+)	Part No	Description	Qty	Standard	Comment
1		P100-004020	MUFFLER ASY	1		
2	+	A313-002060	GUIDE, EXHAUST	1		
3	+	145862-40630	SCREEN, MUFFLER	1		
4	+	V104-002300	GASKET,EXHAUST	1		
5	+	V804-000030	BOLT, TORX 4	5	TB-4*8 10.9	
6		V805-000250	BOLT, TORX 5	2	TB-5*16 12.9	
7		V104-002310	GASKET,EXHAUST	1		
8		A320-001200	COVER,MUFFLER	1		
9		V835-000010	BOLT, TORX 5	2	TB-5*12 10.9	

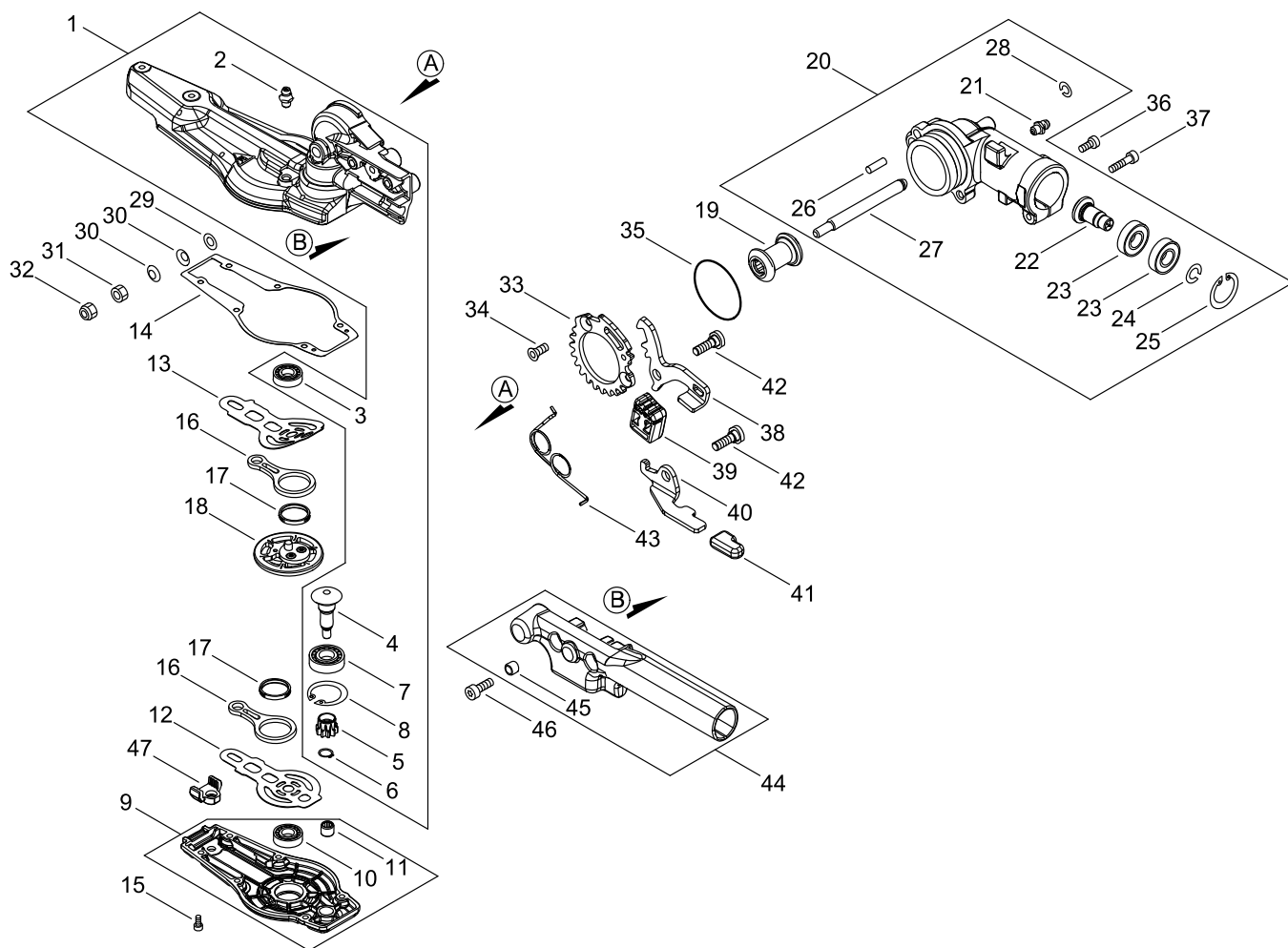
# RECOIL STARTER, PULLY



## RECOIL STARTER, PULLY

KEY NO	LV(+)	Part No	Description	Qty	Standard	Comment
1		A051-003220	STARTER,RECOIL ASY	1		
2	+	P022-043670	STATER CASE	1		
3	++	P022-045770	GUIDE, ROPE	1		
4	++	P022-022010	NUT	2		
5	+	P022-033320	DRUM, STARTER	1		
6	+	P022-033310	PLATE, CAM	1		
7	+	P022-008270	SPRING,DAMPER	1		
8	+	177220-40630	SPRING, REWIND	1		
9	+	177236-61830	SCREW	1		
10	+	P022-022110	ROPE, STARTER	1		
11	+	177228-27030	GRIP, STARTER	1		
12	+	P022-037670	STOPPER, ROPE	1		
13		A052-000180	PULLEY,ASM STARTER	1		
14	+	P022-006850	PAWL, STARTER	2		
15	+	P022-006510	SPRING, RETURN	2		
16	+	P022-002100	E-RING	2	4	
17		A127-000470	COVER,DUST	1		
18		V805-000140	BOLT, TORX 5	3	TB-5*12 10.9	
19		X547-003370	LABEL,ECHO	1	ECHO+ HCA-2620ES	

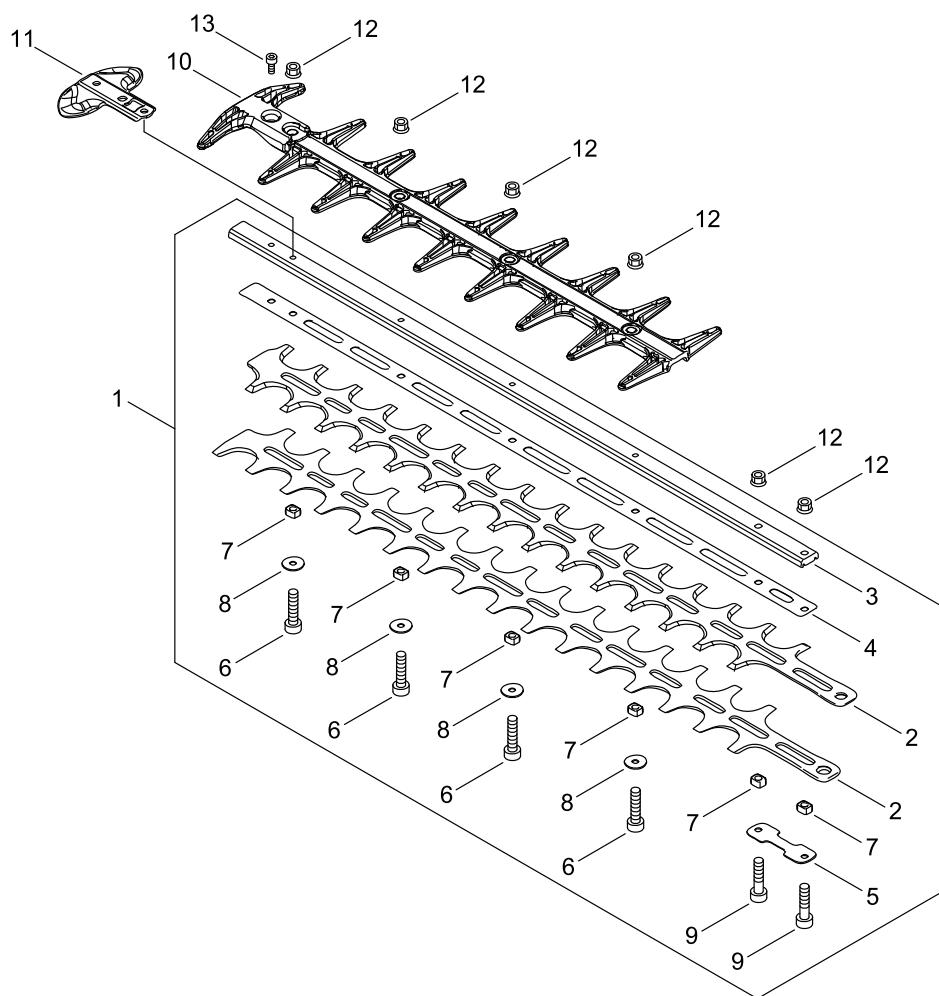
# GEAR CASE



## GEAR CASE

KEY NO	LV(+)	Part No	Description	Qty	Standard	Comment
1		P100-003620	CASE,GEAR ASY	1		
2	+	V187-000080	GREASE NIPPLE	1		
3	+	900800-00608	BEARING, BALL 608	1	608	
4	+	V655-000110	SHAFT,PINION	1		
5	+	V650-000730	GEAR,SPUR	1		
6	+	900701-00008	RING, RETAINING(EX)	1	CS-8	
7	+	900800-06001	BEARING, BALL 6001	1	6001	
8	+	900702-00028	CIRCLIP 28	1	CR-28	
9		P100-003631	LID ASY, GEARCASE	1		
10	+	900800-00608	BEARING, BALL 608	1	608	
11	+	V551-000000	BEARING,NEEDLE 6	1	HK0609FM	
12		V150-004310	PLATE,EYE	1	T0.5	
13		V150-004320	PLATE,EYE	1	T0.5	
14		V110-000200	GASKET,GEAR CASE	1	T0.3	
15		V804-000050	BOLT, TORX 4	6	TB-4*12 10.9	
16		C532-000530	ROD, CONNECTING	2		
17		V572-000000	BEARING, NEEDLE	2		
18		V060-000130	GEAR,SPUR	1		
19		P100-003640	GEAR,BEVEL	1		
20		P100-005380	CASE,GEAR ASY	1		
21	+	V187-000080	GREASE NIPPLE	1		
22	+	V651-001100	GEAR,BEVEL	1		
23	+	900857-06901	BEARING, BALL 6901	2	6901LLU	
24	+	900706-00012	CIRCLIP 12	1	WR-12	
25	+	900702-00024	CIRCLIP 24	1	CR-24	
26	+	V623-000120	PIN,STRAIGHT 5	1	L15.5	
27	+	C534-001100	SHAFT, GEAR	1		
28	+	92411-08000	RING	1	WR-8	
29		900603-00006	WASHER 6	1	6.5*13*1	
30		V347-000030	CONE WASHER	2		
31		900502-00006	NUT 6 (3N)	1	3N6	
32		900560-00006	NUT, LOCK	1	6	
33		C465-000040	RESETTER, LATCH	1		
34		900175-05012	BOLT, H.S.H	2	5*12	
35		900724-00035	O-RING 35	1	S-35	
36		V805-000130	BOLT, TORX 5	1	TB-5*10 10.9	
37		V805-000170	BOLT, TORX 5	1	TB-5*25 10.9	
38		C661-000210	LEVER, RELEASE	1		
39		V494-001070	CAP	1		
40		C661-000220	LEVER, RELEASE	1		
41		V494-000891	CAP	1		
42		V204-000580	PIN RATCHET	2		
43		V452-001740	SPRING,TORSION	1		
44		C403-000880	GRIP, HANDLE	1		
45		131045-28230	COLLAR	2		
46		V805-000150	BOLT, TORX 5	2	TB-5*16 10.9	
47		V541-000620	SEAL	1		

# CUTTING BLADE

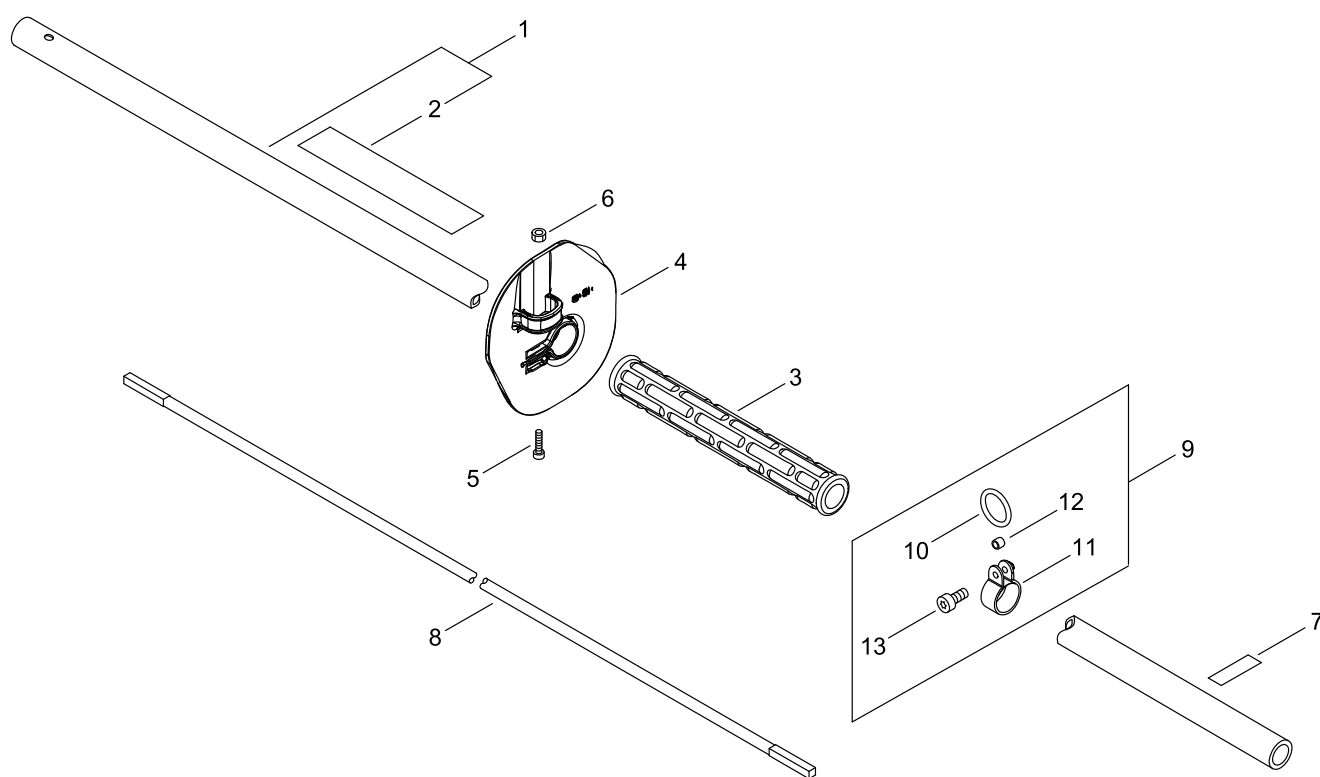


## CUTTING BLADE

KEY NO	LV(+)	Part No	Description	Qty	Standard	Comment
1		X041-000630	CUTTER,ASM	1		
2	+	X411-001360	CUTTER	2		
3	+	X425-001030	SUPPORT,CUTTER	1		
4	+	X425-001040	SUPPORT,CUTTER	1		
5	+	V150-004330	PLATE,EYE	1		
6	+	V805-000170	BOLT, TORX 5	4	TB-5*25 10.9	
7	+	V353-000250	COLLAR	6	9*7.45*5.3	
8	+	V303-000290	WASHER	4		
9	+	V805-000180	BOLT, TORX 5	2	TB-5*30 12.9	
10		X431-000250	BLUNT	1		
11		E278-000311	PROTECTOR	1	NEW-SHC	
12		92108-05000	NUT, FLANGE	6		
13		V805-000120	BOLT, TORX 5	1	TB-5*8 10.9	



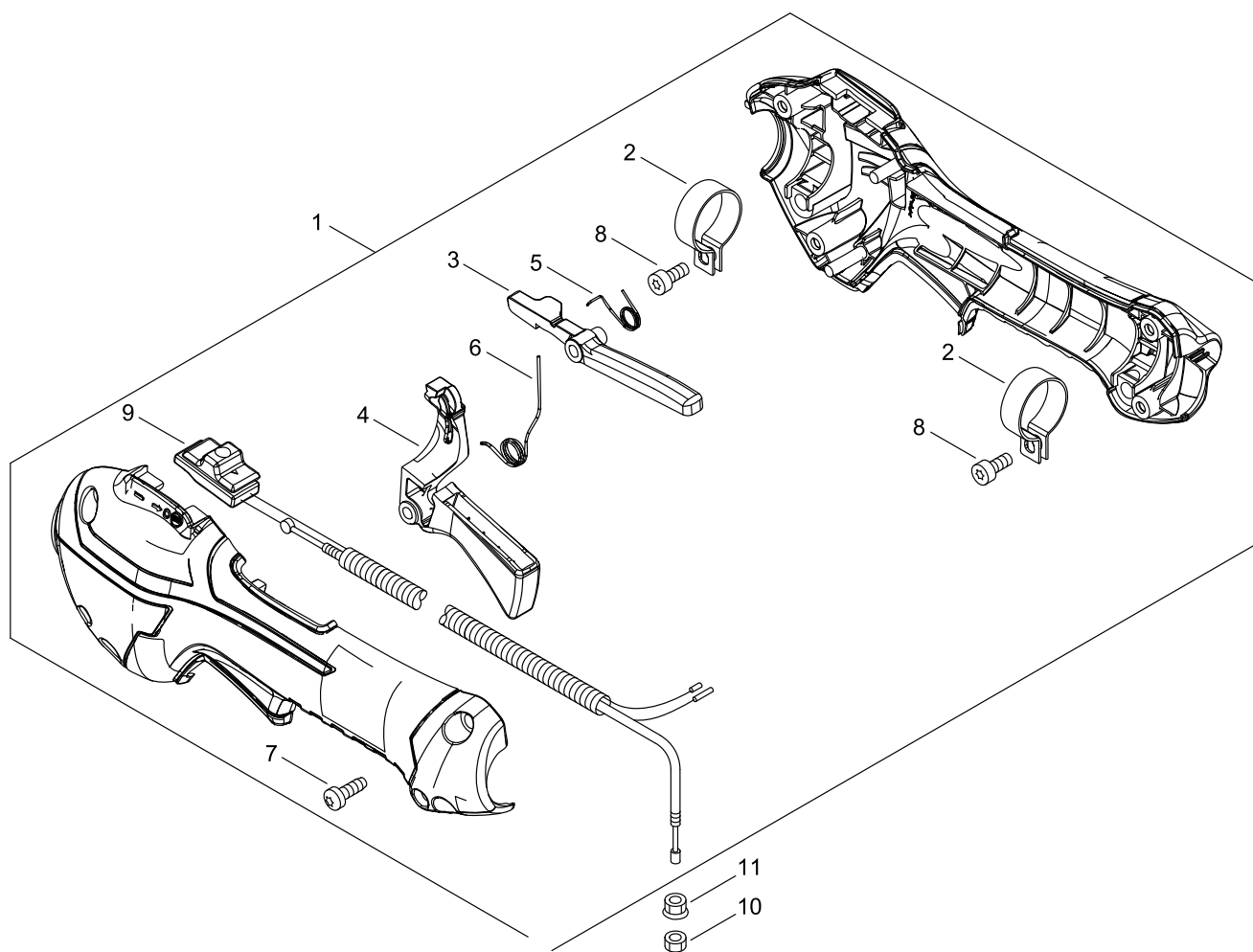
# MAIN PIPE



## MAIN PIPE

KEY NO	LV(+)	Part No	Description	Qty	Standard	Comment
1		P100-004090	MAIN PIPE ASY	1		
2	+	890617-12361	LABEL, CAUTION	1		
3		C403-000470	GRIP	1		
4		C440-000022	GUARD,HAND	1	BLADE HOLD-DOWN	
5		V805-000160	BOLT, TORX 5	1	TB-5*20 10.9	
6		900500-00005	NUT 5	1	5	
7		890152-04930	LABEL, CAUTION	1		
8		C506-000470	SHAFT, FLEXIBLE	1	L:59.92	
9		P100-005360	HOOK ASY	1		
10	+	301016-52730	RING,HARNESS	1		
11	+	301207-08930	HOOK	1		
12	+	699012-03330	SPACER	1		
13	+	V805-000150	BOLT, TORX 5	1	TB-5*16 10.9	

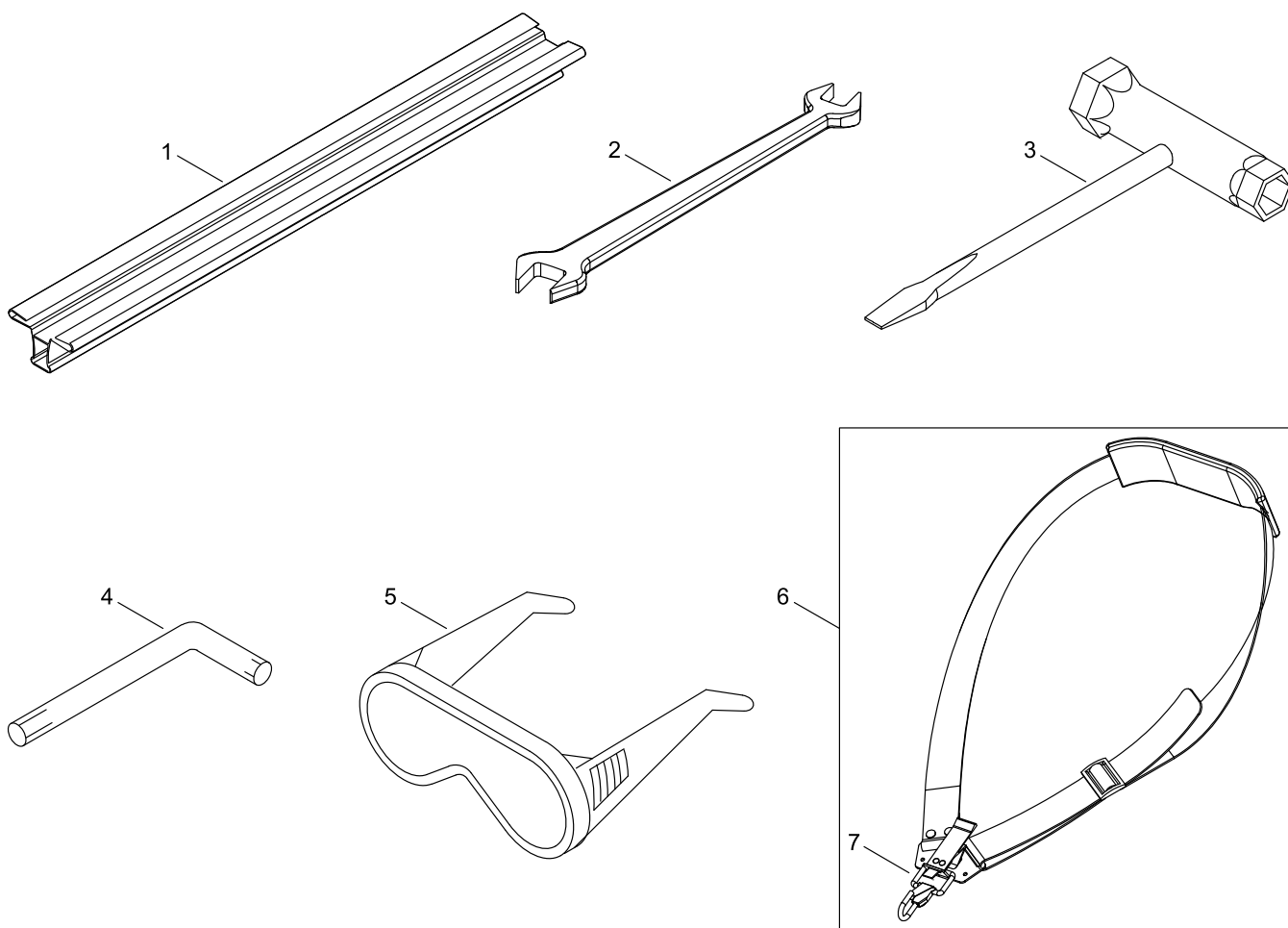
# THROTTLE



## THROTTLE

KEY NO	LV(+)	Part No	Description	Qty	Standard	Comment
1		P100-005370	THROTTLE ASY	1		
2	+	V495-003020	BAND	2		
3	+	C460-000441	LOCKOUT, THROTTLE	1	SRM-225 REDESIGN	
4	+	C453-000482	LEVER, THROTTLE	1	SRM-225 REDESIGN	
5	+	V452-001510	SPRING,TORSION	1	LOCKOUT LEVER	
6	+	V452-001520	SPRING,TORSION	1	THROTTLE LEVER	
7	+	V805-000000	BOLT, TORX 5	4	TT-5*16 DG 10.9	
8	+	V805-000150	BOLT, TORX 5	2	TB-5*16 10.9	
9	+	P100-002240	CABLE ASY, CONTROL	1		
10		900502-00006	NUT 6 (3N)	1	3N6	
11		900518-00006	NUT, FLANGE	1	6	

# ACCESSORIES



## ACCESSORIES

KEY NO	LV(+)	Part No	Description	Qty	Standard	Comment
1		X495-000770	SCABBARD, BLADE	1	L=560MM W=71MM	
2		895112-00330	SPANNER 8*10	1		
3		895415-66630	WRENCH, SPCKET	1		
4		X605-000170	TOOL, L WRENCH	1		
5		X690-000080	GOGGLE	1	SI CHINA, Z87.1	
6		C062-000390	STRAP ASSY	1		
7	+	C649-000200	HOOK	1		

# NUMERICAL PARTS INDEX

Part No	Part description	Page	Part No	Part description	Page	Part No	Part description	Page
100013-3-5430	PIN, PISTON	2	177236-6-1830	SCREW	18	900702-0-0042	CIRCLIP 42	8
100014-5-3630	SPACER, PISTON PIN	2	301016-5-2730	RING,HARNESS	24	900706-0-0012	CIRCLIP 12	20
100015-0-3931	CIRCLIP, PISTON PIN	2	301207-0-8930	HOOK	24	900724-0-0035	O-RING 35	20
100142-1-2330	KEY, WOODRUFF	6	699012-0-3330	SPACER	24	900800-0-0608	BEARING, BALL 608	20
100212-4-2031	OILSEAL	4	890152-0-4930	LABEL, CAUTION	24	900800-0-6001	BEARING, BALL 6001	20
123114-4-0630	SCREW	12	890332-5-2730	LABEL, CHOKE	10	900800-3-6001	BEARING, BALL	4
123126-1-0631	SCREEN, INLET	12	890617-1-2361	LABEL, CAUTION	24	900807-0-6001	BEARING, BALL 6001	8
123137-1-9830	VALVE, INLET NEEDLE	12	895112-0-0330	SPANNER 8*10	28	900810-3-6000	BEARING, BALL	4
123138-0-3930	PIN, METERING LEVER	12	895415-6-6630	WRENCH, SPCKET	28	900857-0-6901	BEARING, BALL 6901	20
123140-2-7230	GASKET,M. DIAPHRAGM	12	900175-0-5012	BOLT, H.S.H	20	92108-05-000	NUT, FLANGE	22
123142-0-3930	COVER, M. DIAPHRAGM	12	900330-4-0080	PIN F 4*8	8	92411-08-000	RING	20
123173-0-7930	CLIP	12	900500-0-0005	NUT 5	24	A011-00-1460	CRANKSHAFT,ASY	2
123181-0-9560	PUMP, PRIMER	12	900502-0-0006	NUT 6 (3N)	20	A021-00-4600	CARBURETOR, DIAPHRAGM	10
131045-2-8230	COLLAR	20	900502-0-0006	NUT 6 (3N)	26	A021-00-4600	CARBURETOR, DIAPHRAGM	12
132010-0-6531	PIPE 3* 6* 85	14	900515-0-0008	NUT, FLANGE 8	6	A051-00-3220	STARTER,RECOIL ASY	18
132012-5-6030	PIPE	14	900518-0-0006	NUT, FLANGE	26	A052-00-0180	PULLEY,ASM STARTER	18
132115-5-5931	GROMMET, FUEL	14	900560-0-0006	NUT, LOCK	20	A101-00-0010	RING,PISTON	2
145862-4-0630	SCREEN, MUFFLER	16	900602-0-0005	WASHER 5	14	A127-00-0470	COVER,DUST	18
156110-0-4920	BUSHING	6	900603-0-0006	WASHER 6	20	A130-00-2330	CYLINDER	2
175046-5-6030	SHAFT, CLUTCH	8	900701-0-0008	RING, RETAINING (EX)	20	A160-00-3280	COVER,CYLINDER	2
175048-0-5530	WASHER (I)	8	900701-0-0012	CIRCLIP 12	8	A172-00-3142	COVER,FAN	8
175049-5-6030	WASHER	8	900702-0-0024	CIRCLIP 24	20	A175-00-0040	STAND	14
177220-4-0630	SPRING, REWIND	18	900702-0-0028	CIRCLIP 28	8	A202-00-0300	BELLOWS, INTAKE	10
177228-2-7030	GRIP, STARTER	18	900702-0-0028	CIRCLIP 28	20	A206-00-0040	HOLDER, BELLOWS	10

# NUMERICAL PARTS INDEX

Part No	Part description	Page	Part No	Part description	Page	Part No	Part description	Page
A209-00-1000	PLATE, INSULATOR	10	C440-00-0022	GUARD,HAND	24	P003-00-5900	PLATE	12
A209-00-1010	PLATE, INSULATOR	10	C453-00-0482	LEVER, THROTTLE	26	P003-00-6140	VALVE, THROTTLE	12
A226-00-2030	ELEMENT, AIR FILTER	10	C460-00-0441	LOCKOUT, THROTTLE	26	P003-00-6260	BODY ASSEMBLY, PUMP	12
A226-00-2040	ELEMENT, AIR FILTER	10	C465-00-0040	RESETTER, LATCH	20	P021-01-2211	CAP,FUEL ASY	14
A227-00-0050	PLATE, ELEMENT	10	C506-00-0470	SHAFT, FLEXIBLE	24	P021-05-0840	PISTON KIT	2
A244-00-0370	PLATE,PREVENT	10	C532-00-0530	ROD, CONNECTING	20	P021-05-0850	CRANKCASE KIT	4
A313-00-2060	GUIDE, EXHAUST	16	C534-00-1100	SHAFT, GEAR	20	P021-05-0880	CLEANER CASE ASY	10
A320-00-1200	COVER,MUFFLER	16	C649-00-0200	HOOK	28	P022-00-2100	E-RING	18
A350-00-2350	TANK, FUEL	14	C661-00-0210	LEVER, RELEASE	20	P022-00-6510	SPRING, RETURN	18
A356-00-0031	VALVE,CHECK	14	C661-00-0220	LEVER, RELEASE	20	P022-00-6850	PAWL, STARTER	18
A365-00-0060	CONNECTOR,CAP	14	E278-00-0311	PROTECTOR	22	P022-00-8270	SPRING,DAMPER	18
A369-00-0470	STRAINER, FUEL	14	P003-00-1630	LEVER, METERING	12	P022-02-2010	NUT	18
A409-00-1320	ROTOR, MAGNETO	6	P003-00-1670	DIAPHRAGM, METERING	12	P022-02-2110	ROPE, STARTER	18
A411-00-1790	COIL, IGNITION	6	P003-00-1710	WASHER	12	P022-03-3310	PLATE, CAM	18
A413-00-0080	BOOT	8	P003-00-4510	COVER, FUEL PUMP	12	P022-03-3320	DRUM, STARTER	18
A425-00-0060	SPARKPLUG	6	P003-00-4530	GASKET, FUEL PUMP	12	P022-03-7670	STOPPER, ROPE	18
A426-00-0010	TERMINAL, SPARKPLUG	6	P003-00-4540	DIAPHRAGM, FUEL PUMP	12	P022-04-3670	STATER CASE	18
A427-00-0221	CAP,SPARK PLUG	6	P003-00-4560	SCREW	12	P022-04-5770	GUIDE, ROPE	18
A556-00-1760	DRUM,CLUTCH	8	P003-00-4570	SCREW	12	P100-00-2240	CABLE ASY, CONTROL	26
A575-00-0110	FIXTURE,MAIN PIPE	8	P003-00-5850	SWIVEL	12	P100-00-2270	ARM,CLUTCH SET	8
C062-00-0390	STRAP ASSY	28	P003-00-5860	SCREW	12	P100-00-3600	LID,CLEANER ASY	10
C152-00-1030	CONNECTOR	6	P003-00-5870	SPRING	12	P100-00-3620	CASE,GEAR ASY	20
C403-00-0470	GRIP	24	P003-00-5880	NEEDLE	12	P100-00-3631	LID ASY, GEARCASE	20
C403-00-0880	GRIP, HANDLE	20	P003-00-5890	CLIP	12	P100-00-3640	GEAR,BEVEL	20



# NUMERICAL PARTS INDEX

Part No	Part description	Page	Part No	Part description	Page	Part No	Part description	Page
P100-00-4020	MUFFLER ASY	16	V323-00-0070	WASHER,CIRCULAR 5	6	V655-00-0110	SHAFT,PINION	20
P100-00-4090	MAIN PIPE ASY	24	V347-00-0030	CONE WASHER	20	V804-00-0030	BOLT, TORX 4	16
P100-00-5340	FAN COVER ASY	8	V353-00-0250	COLLAR	22	V804-00-0050	BOLT, TORX 4	20
P100-00-5360	HOOK ASY	24	V451-00-1390	SPRING,TENSION	8	V805-00-0000	BOLT, TORX 5	26
P100-00-5370	THROTTLE ASY	26	V452-00-1510	SPRING,TORSION	26	V805-00-0120	BOLT, TORX 5	22
P100-00-5380	CASE,GEAR ASY	20	V452-00-1520	SPRING,TORSION	26	V805-00-0130	BOLT, TORX 5	20
V060-00-0130	GEAR,SPUR	20	V452-00-1740	SPRING,TORSION	20	V805-00-0140	BOLT, TORX 5	18
V100-00-0840	GASKET,CYL	2	V471-00-1231	PIPE	14	V805-00-0150	BOLT, TORX 5	8
V102-00-0300	GASKET, CRANKCASE	4	V475-00-7540	TUBE	6	V805-00-0150	BOLT, TORX 5	10
V103-00-1890	GASKET,INTAKE	10	V485-00-2880	LEAD	6	V805-00-0150	BOLT, TORX 5	20
V103-00-1900	GASKET,INTAKE	10	V490-00-1230	CLIP	14	V805-00-0150	BOLT, TORX 5	24
V104-00-2300	GASKET,EXHAUST	16	V490-00-1240	CLIP	14	V805-00-0150	BOLT, TORX 5	26
V104-00-2310	GASKET,EXHAUST	16	V490-00-1520	CLIP	8	V805-00-0160	BOLT, TORX 5	8
V107-00-0190	GASKET,FUEL CAP	14	V494-00-0891	CAP	20	V805-00-0160	BOLT, TORX 5	14
V110-00-0200	GASKET,GEAR CASE	20	V494-00-1070	CAP	20	V805-00-0160	BOLT, TORX 5	24
V150-00-4310	PLATE,EYE	20	V495-00-3020	BAND	26	V805-00-0170	BOLT, TORX 5	8
V150-00-4320	PLATE,EYE	20	V503-00-0040	SEAL,OIL 10	4	V805-00-0170	BOLT, TORX 5	14
V150-00-4330	PLATE,EYE	22	V541-00-0620	SEAL	20	V805-00-0170	BOLT, TORX 5	20
V186-00-0500	JOINT,PIPE	14	V551-00-0000	BEARING,NEEDLE 6	20	V805-00-0170	BOLT, TORX 5	22
V187-00-0080	GREASE NIPPLE	20	V554-00-0020	BEARING,NEEDLE 9	2	V805-00-0180	BOLT, TORX 5	22
V204-00-0580	PIN RATCHET	20	V572-00-0000	BEARING, NEEDLE	20	V805-00-0210	BOLT, TORX 5	2
V253-00-1020	SCREW,5	10	V623-00-0120	PIN,STRAIGHT 5	20	V805-00-0210	BOLT, TORX 5	6
V299-00-0640	KNOB,FASTENER	10	V650-00-0730	GEAR,SPUR	20	V805-00-0220	BOLT, TORX 5	4
V303-00-0290	WASHER	22	V651-00-1100	GEAR,BEVEL	20	V805-00-0250	BOLT, TORX 5	16

## NUMERICAL PARTS INDEX

Part No	Part description	Page
V805-00-0340	BOLT, TORX 5	10
V835-00-0010	BOLT, TORX 5	2
V835-00-0010	BOLT, TORX 5	16
V855-00-0000	BOLT, TORX 5	10
X041-00-0630	CUTTER,ASM	22
X411-00-1360	CUTTER	22
X425-00-1030	SUPPORT,CUTTER	22
X425-00-1040	SUPPORT,CUTTER	22
X431-00-0250	BLUNT	22
X495-00-0770	SCABBARD,BLADE	28
X503-01-4720	LABEL,MODEL	2
X524-00-1901	LABEL	2
X547-00-3370	LABEL,ECHO	18
X605-00-0170	TOOL,L WRENCH	28
X690-00-0080	GOGGLE	28