

DPB-2600

Serial Number

U71335000001-U71335999999

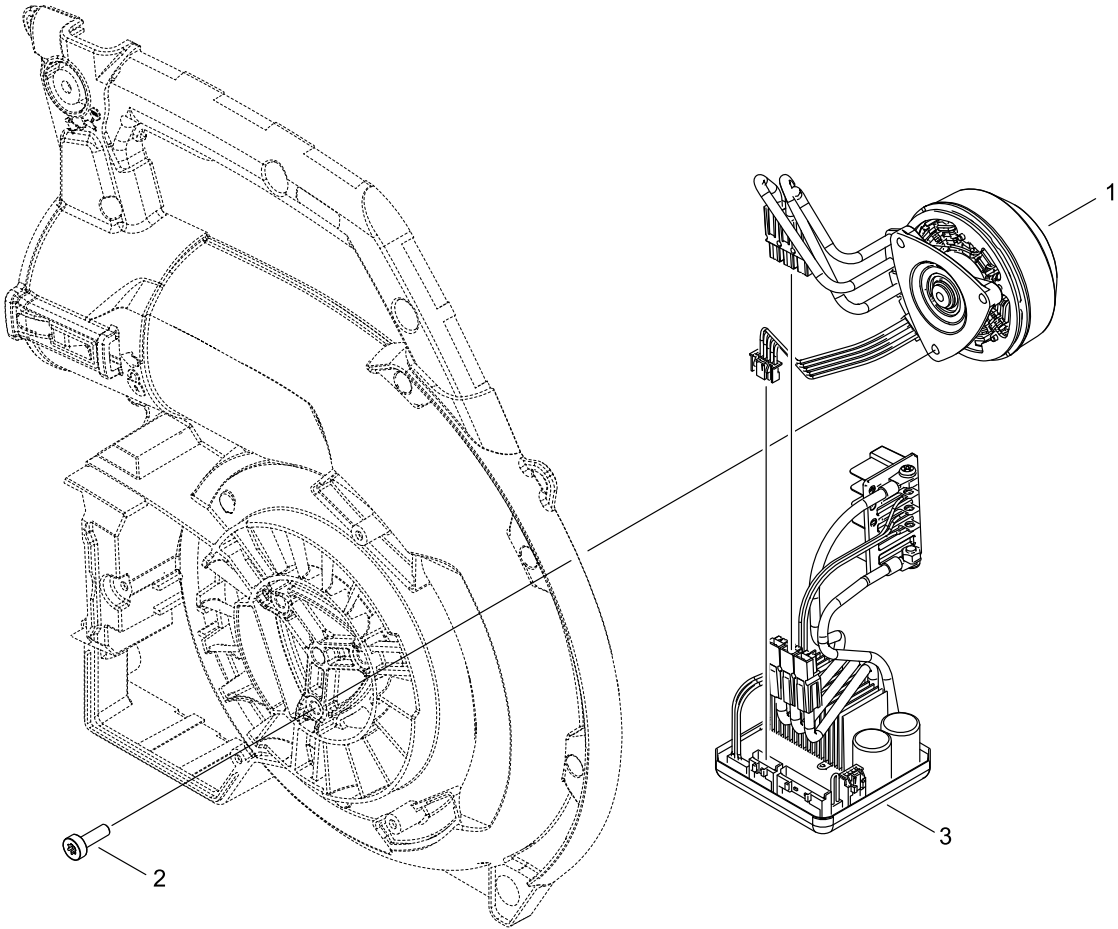
Last updated date

17/Jan/2023

TABLE OF CONTENTS

MOTOR	1
FAN CASE	3
CONTROL	5
PIPE	7

MOTOR



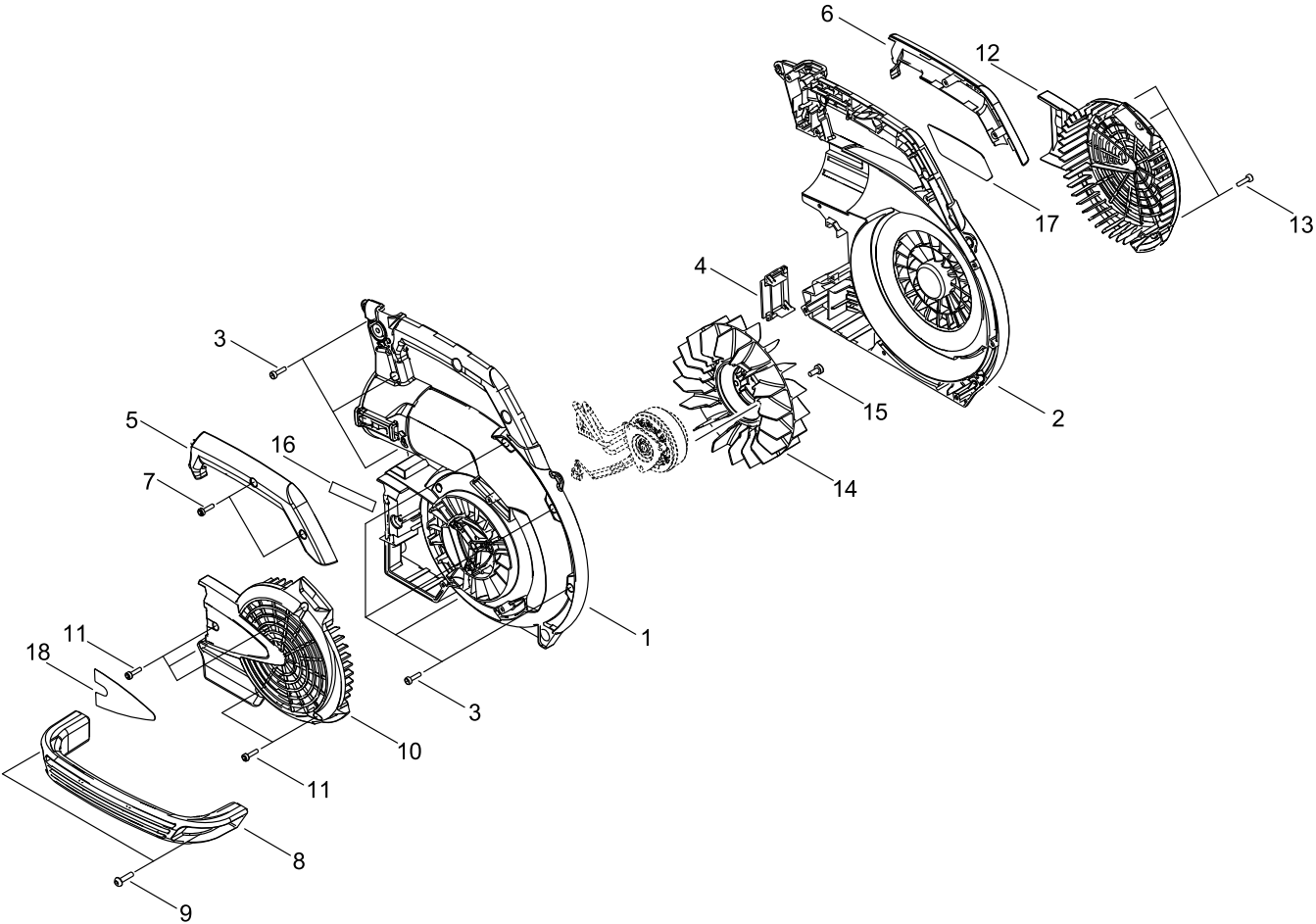
MOTOR

Key No.	LV (+)	Parts Number	Parts Description	Qty	Standard	Class
1		A054-000360	MOTOR,ASM	1		D
2		V805-000250	BOLT, TORX 5	3	TB-5*16 12.9	C
3		A047-000600	BOARD,ASM CONTROL	1		D

Class : Consumable class

A:Fast moving parts B:Semi-fast moving parts C:Slow moving parts D:Order only as needed

FAN CASE



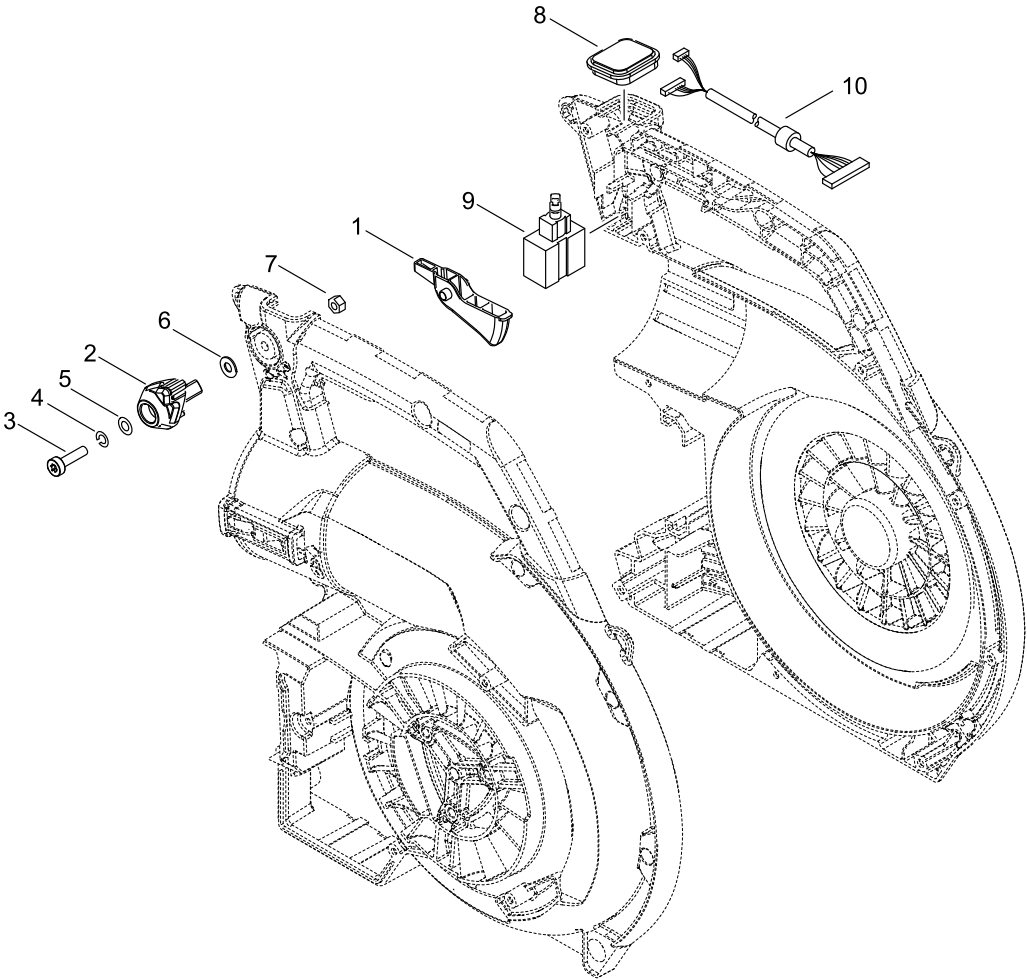
FAN CASE

Key No.	LV (+)	Parts Number	Parts Description	Qty	Standard	Class
1		E103-001720	CASE,FAN	1		C
2		E103-001730	CASE,FAN	1		C
3		V804-000170	BOLT, TORX 4	7	TT-P 4*16	C
4		A194-000050	LID,CASE	1		C
5		C412-000750	GRIP, HANDLE	1		C
6		C412-000760	GRIP, HANDLE	1		C
7		V804-000170	BOLT, TORX 4	2	TT-P 4*16	C
8		C410-001540	HANDLE, REAR	1		C
9		V805-000000	BOLT, TORX 5	2	TT-5*16 DG 10.9	C
10		E104-000330	GRID, BLOWER	1		C
11		V804-000170	BOLT, TORX 4	5	TT-P 4*16	C
12		E104-000320	GRID, BLOWER	1		C
13		V804-000170	BOLT, TORX 4	3	TT-P 4*16	C
14		E100-000370	FAN,BLOWER	1		C
15		V805-000300	BOLT, TORX 5	3	TB-5*12 12.9	C
16		X502-000390	LABEL,ECHO	1	ECHO 72.5*15	D
17		X505-011840	LABEL,CAUTION	1		D
18		X543-006150	LABEL,MODEL	1	DPB-2600	D

Class : Consumable class

A:Fast moving parts B:Semi-fast moving parts C:Slow moving parts D:Order only as needed

CONTROL



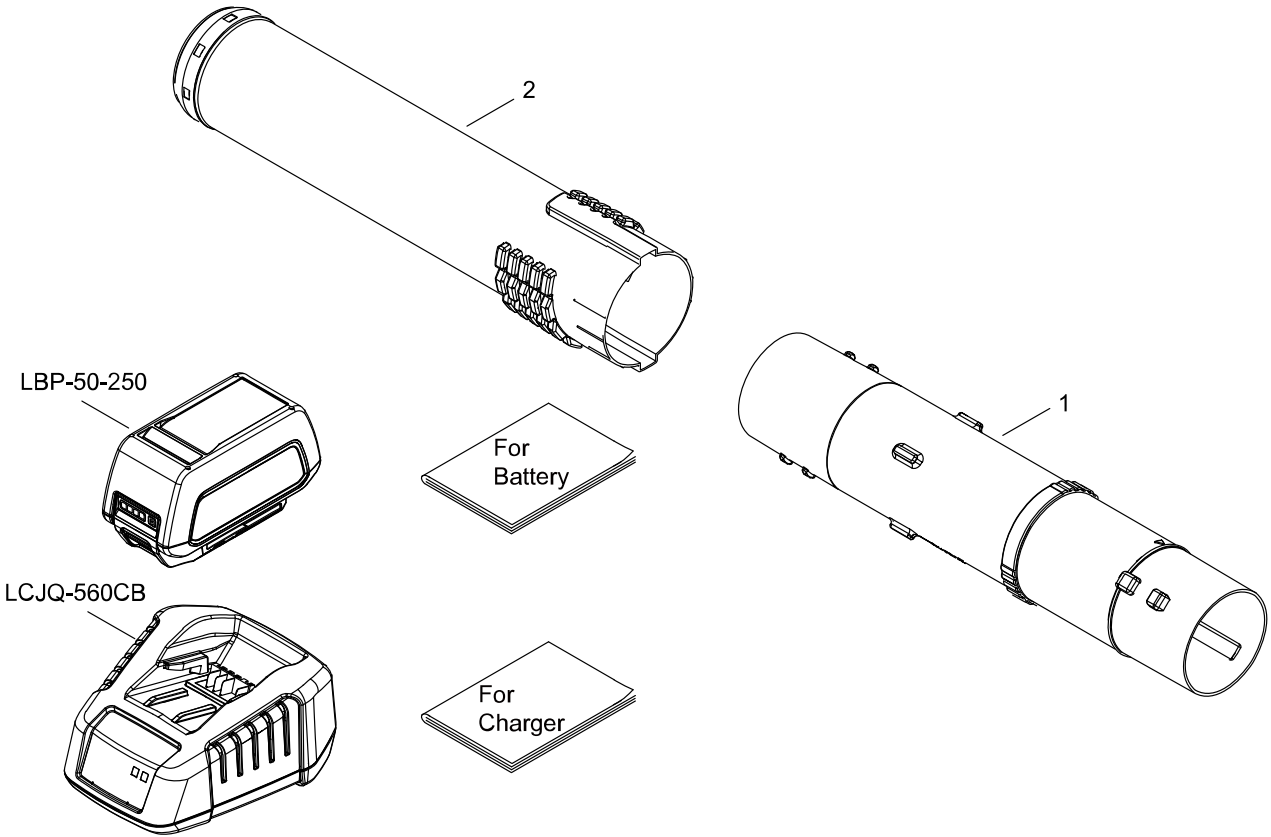
CONTROL

Key No.	LV (+)	Parts Number	Parts Description	Qty	Standard	Class
1		J361-000840	LEVER	1		D
2		J361-000830	LEVER	1		D
3		V805-000160	BOLT, TORX 5	1	TB-5*20 10.9	C
4		900605-00005	WASHER, SPRING	1	5	
5		900602-00005	WASHER	1	5	
6		900603-00005	WASHER	1	5	
7		900562-50005	NUT, LOCK	1	5	
8		A047-000620	BOARD,ASM CONTROL	1		D
9		G334-001830	SWITCH	1	G33407S0080	C
10		C130-001250	HARNESS, WIRE	1		D

Class : Consumable class

A:Fast moving parts B:Semi-fast moving parts C:Slow moving parts D:Order only as needed

PIPE



* Batteries and charger are handle as accessories instead of spare parts. Please place an order of batteries and charger at the same time as unit order.

PIPE

Key No.	LV (+)	Parts Number	Parts Description	Qty	Standard	Class
1		E165-001210	PIPE,BLOWER	1	PB-2620	B
2		E165-001040	PIPE,BLOWER	1		B

Class : Consumable class

A:Fast moving parts B:Semi-fast moving parts C:Slow moving parts D:Order only as needed

NUMERICAL PARTS INDEX

Part No	Part description	Page
900562-50005	NUT, LOCK	6
900602-00005	WASHER	6
900603-00005	WASHER	6
900605-00005	WASHER, SPRING	6
A047-000600	BOARD,ASM CONTROL	2
A047-000620	BOARD,ASM CONTROL	6
A054-000360	MOTOR,ASM	2
A194-000050	LID,CASE	4
C130-001250	HARNES, WIRE	6
C410-001540	HANDLE, REAR	4
C412-000750	GRIP, HANDLE	4
C412-000760	GRIP, HANDLE	4
E100-000370	FAN,BLOWER	4
E103-001720	CASE,FAN	4
E103-001730	CASE,FAN	4
E104-000320	GRID, BLOWER	4
E104-000330	GRID, BLOWER	4
E165-001040	PIPE,BLOWER	8
E165-001210	PIPE,BLOWER	8
G334-001830	SWITCH	6
J361-000830	LEVER	6
J361-000840	LEVER	6
V804-000170	BOLT, TORX 4	4
V805-000000	BOLT, TORX 5	4
V805-000160	BOLT, TORX 5	6
V805-000250	BOLT, TORX 5	2
V805-000300	BOLT, TORX 5	4
X502-000390	LABEL,ECHO	4
X505-011840	LABEL,CAUTION	4
X543-006150	LABEL,MODEL	4