

shindaiwa[®]

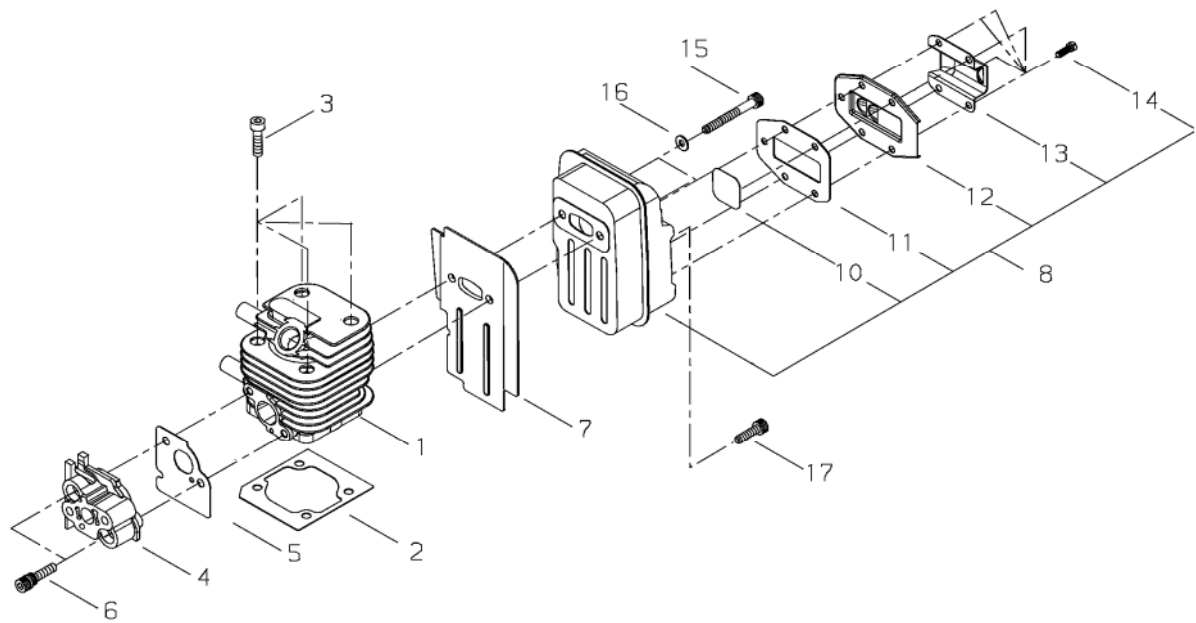
PARTS CATALOGUE

BRUSHCUTTER C242S EC2(37)

- **37005769**

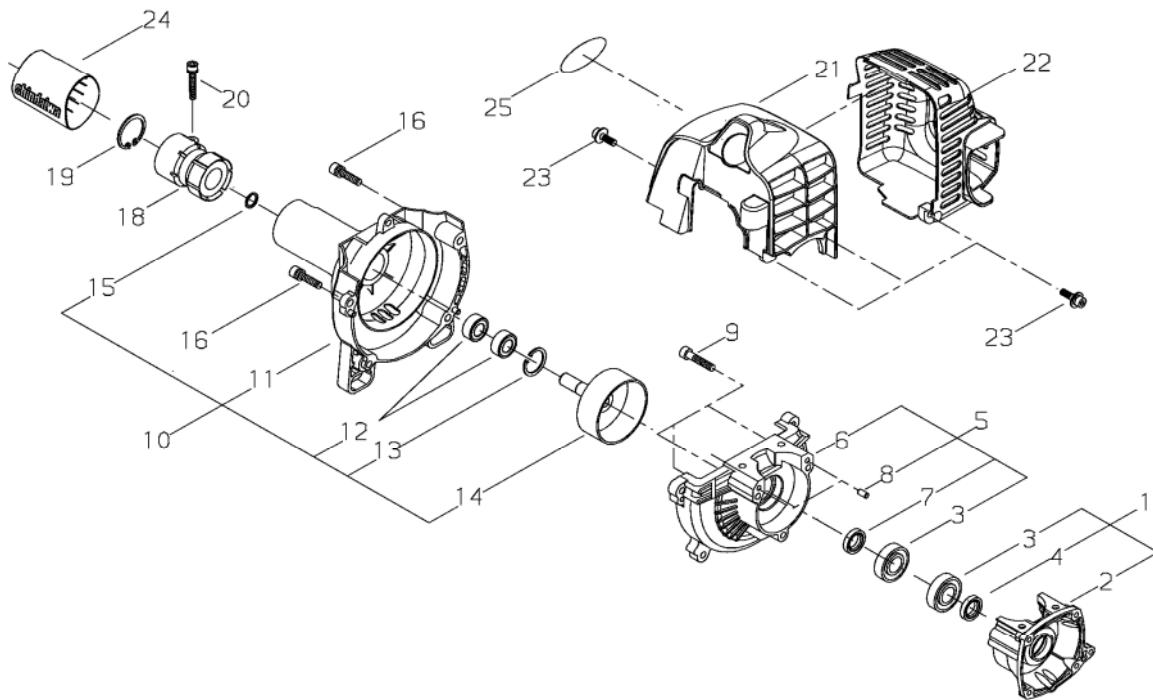
C242S EC2

1. CYLINDER, MUFFLER



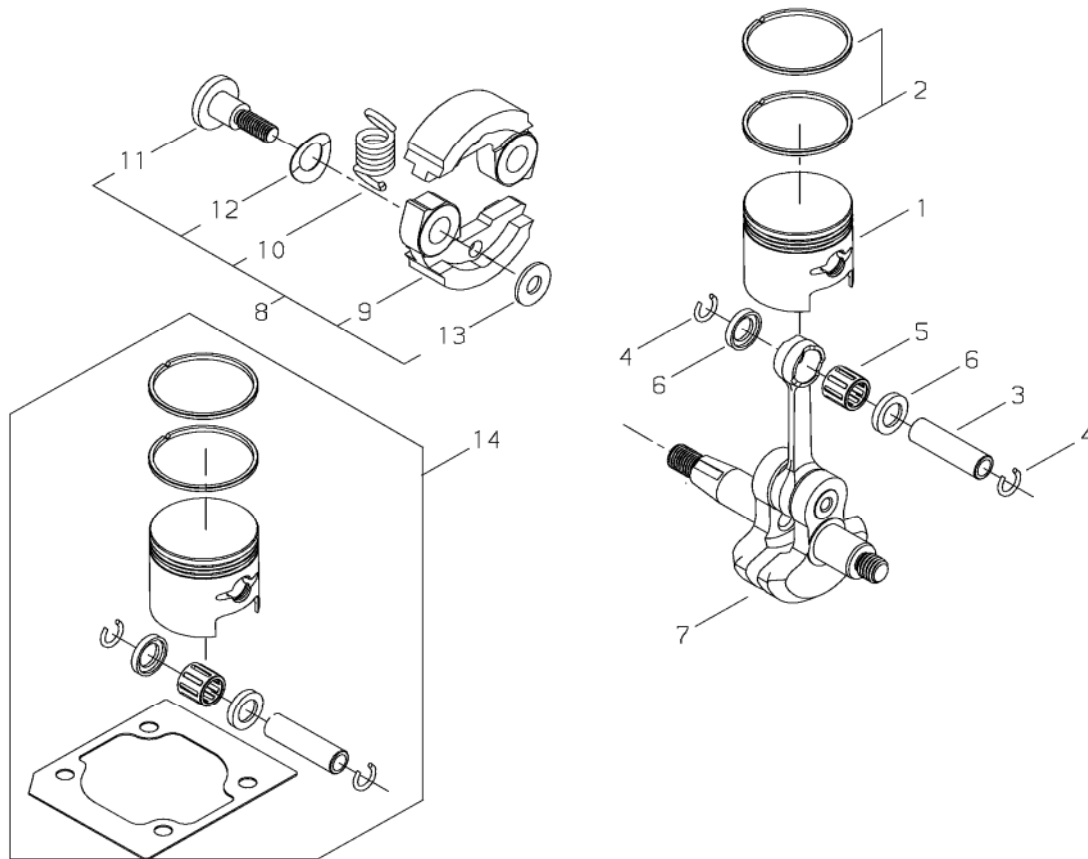
KEY	LV	PART NUMBER	Q'TY	DESCRIPTION	REMARKS	NOTE1	NOTE2
1		62100-12111	1	CYLINDER			
2		62100-12120	1	GASKET			
3		01020-05160	4	BOLT	M5*16 BLACK	M5x16	
4		62100-12212	1	INSULATOR			
5		62100-12220	1	GASKET			
6		11022-05300	2	BOLT SW		M5x30	
7		37033-15212	1	GASKET MUFFLER			
8		62100-15012	1	MUFFLER ASSY			
10		62100-15370	1	SCREEN			
11		62100-15401	1	GASKET			
12		62100-15381	1	TAIL PLATE			
13		62100-15392	1	TAIL PLATE			
14		01211-04080	5	SCREW SW		M4x8	
15		01020-05555	2	BOLT		M5x55	
16		01610-05085	2	WASHER		5mm	
17		01020-05120	1	BOLT	M5*12	M5x12	

2. FAN COVER, CYLINDER COVER



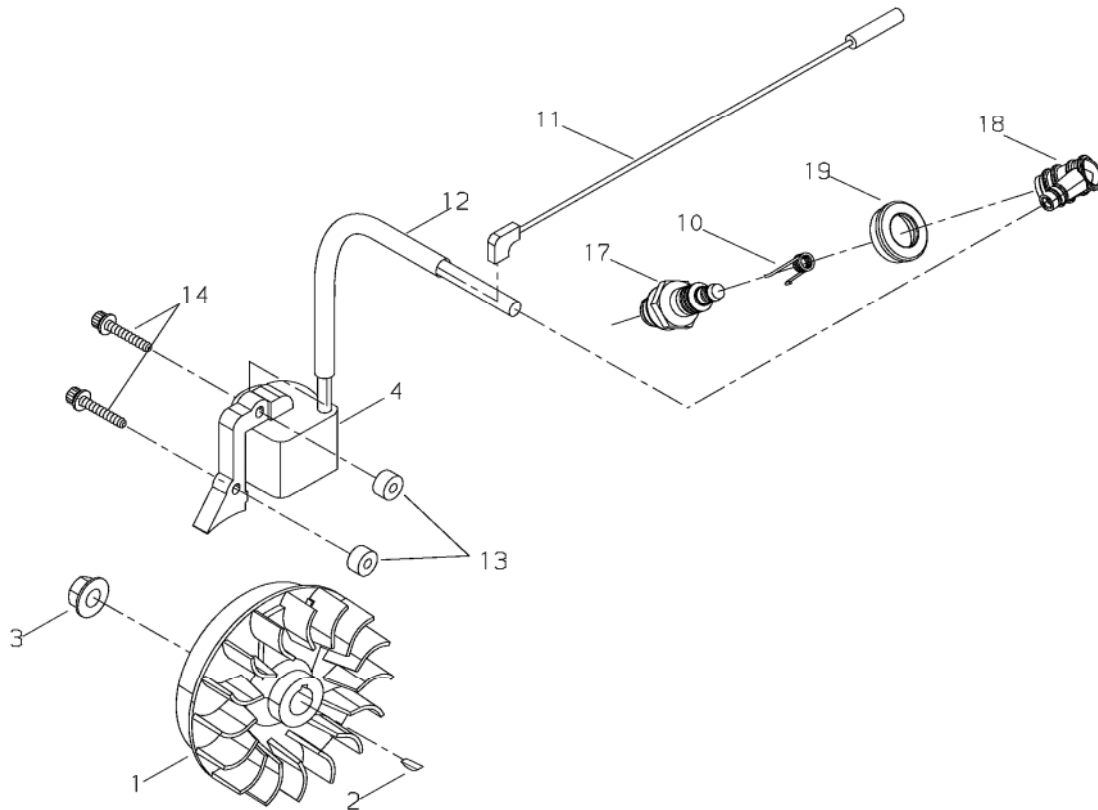
KEY	LV	PART NUMBER	Q'TY	DESCRIPTION	REMARKS	NOTE1	NOTE2
1		62100-21010	1	CRANK CASE S COMP			
2	•	62100-21111	1	CRANK CASE S			
3	•	12900-60010	2	BALL BEARING			
4	•	37013-21120	1	OIL SEAL			
5		62100-21020	1	CRANK CASE M COMP			
6	•	62100-21211	1	CRANK CASE M			
7	•	20000-21211	1	OIL SEAL			
8	•	12492-40080	2	ROLLER		E4X8F6 C3	
9		01020-05250	3	BOLT		M5x25	
10		62100-31014	1	FAN COVER-A			
11	•	62100-31111	1	FAN COVER			
12	•	02006-06000	2	BEARING		6000DDU	
13	•	02432-26120	1	SNAP RING		26mm C	
14	•	62100-31210	1	CLUTCH DRUM			
15	•	22000-13320	1	SNAP RING			
16		11022-05180	2	BOLT SPW		M5x18	
18		20087-31411	1	JOINT			
19		02432-40170	1	SNAP RING		40mm C	
20		11020-05220	1	BOLT-SW		M5x22	
21		62100-32111	1	CYLINDER COVER			
22		62100-32312	1	MUFFLER COVER			
23		11060-04163	4	BOLT		M4x16	
24		62100-31311	1	PROTECTOR			
25		62121-91330	1	LABEL TRADE		shindaiwa 242s	

3. CRANKSHAFT, PISTON, CLUTCH SHOE



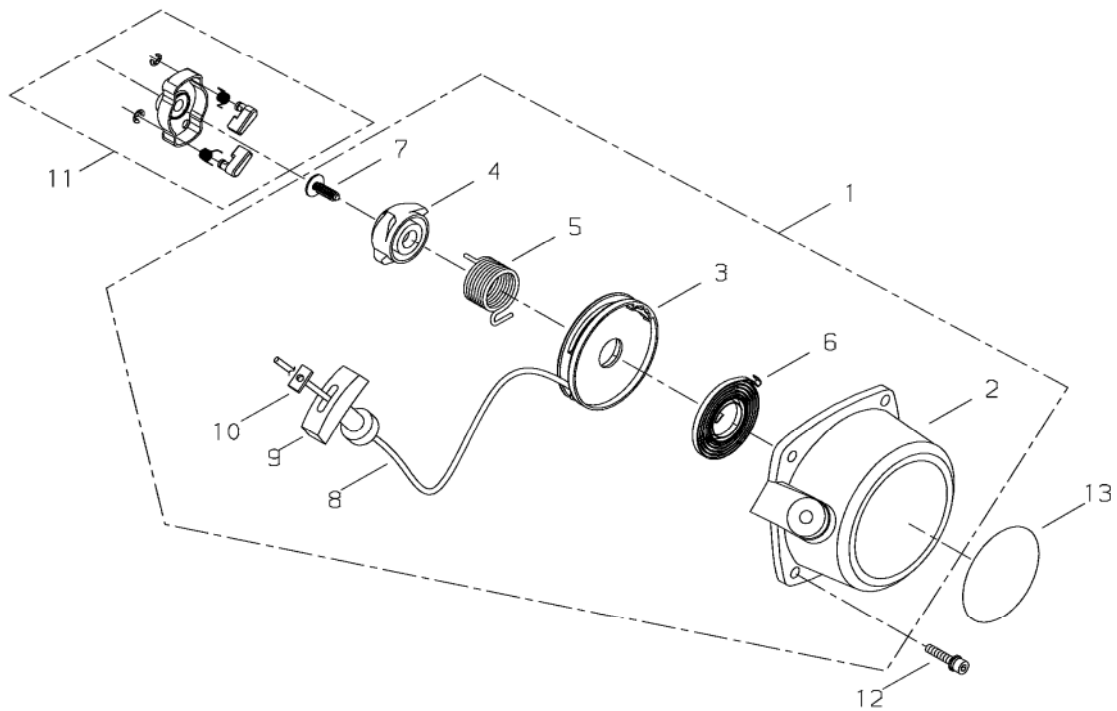
KEY	LV	PART NUMBER	Q'TY	DESCRIPTION	REMARKS	NOTE1	NOTE2
1		62100-41111	1	PISTON			
2		72933-41210	2	PISTON RING			
3		72933-41310	1	PISTON PIN			
4		70030-41320	2	RING,END			
5		37013-41230	1	NEEDLE BEARING			
6		37013-41240	2	THRUST WASHER			
7		62100-42011	1	CRANK SHAFT			
8		70140-51102	1	CLUTCH SHOE ASSY			
9	•	70140-51113	2	CLUTCH SHOE			
10	•	37013-51310	1	COIL SPRING			
11	•	20087-51210	2	BOLT			
12	•	20087-51231	2	SPRING PLATE			
13	•	22100-71430	2	WASHER			
14		60114-98310	1	PISTON SET			

4. COIL, ROTOR



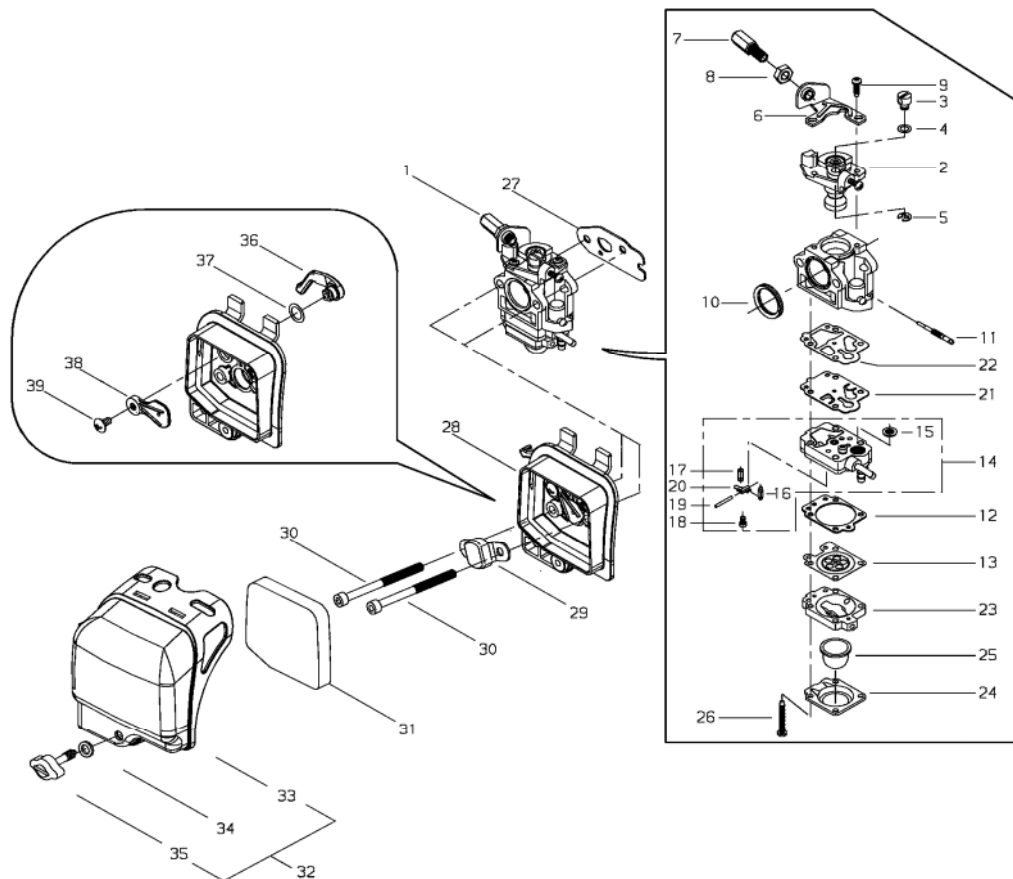
KEY	LV	PART NUMBER	Q'TY	DESCRIPTION	REMARKS	NOTE1	NOTE2
1		37019-71110	1	ROTOR			
2		02403-03100	1	KEY	3*10	3x10	
3		20035-71220	1	NUT			
4		62100-71021	1	COIL ASSY			
10		20000-72230	1	SPRING SPARK PLUG			
11		14352-02100	1	LEAD WIRE		0.5fmm2 L215	
12		62100-71310	1	TUBE			
13		70030-71620	2	INSULATOR			
14		11060-04204	2	BOLT ADHESIVE		M4x20	
17		13000-13506	1	SPARK PLUG BPMR6A		BPMR6A	
18		22160-72220	1	PLUG CAP			
19		22160-72260	1	COVER,CAP			

5. RECOIL STARTER



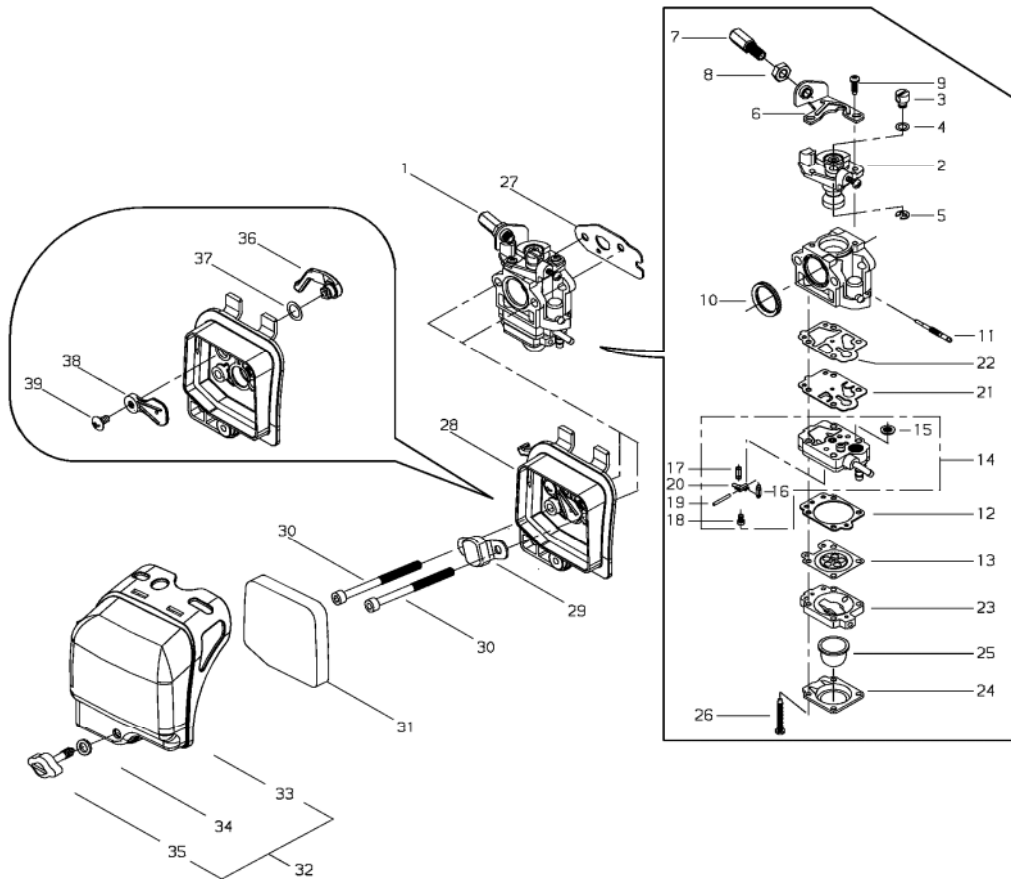
KEY	LV	PART NUMBER	Q'TY	DESCRIPTION	REMARKS	NOTE1	NOTE2
1		37076-75010	1	RECOIL STARTER ASSY			
2	•	37076-75110	1	STARTER CASE			
3	•	37076-75120	1	REEL			
4	•	37076-75310	1	CAM			
5	•	37076-75320	1	COIL SPRING			
6	•	70030-75130	1	RECOIL SPRING			
7	•	37013-75310	1	SCREW			
8	•	37076-75140	1	ROPE			
9	•	20010-75190	1	STARTER KNOB			
10	•	20010-75210	1	STOPPER			
11		37076-75020	1	STARTER PULLEY ASSY			
12		11024-04200	2	BOLT SW		M4x20	
13		6212291320	1	LABEL TRADE			

6. CARBURETOR, CLEANER



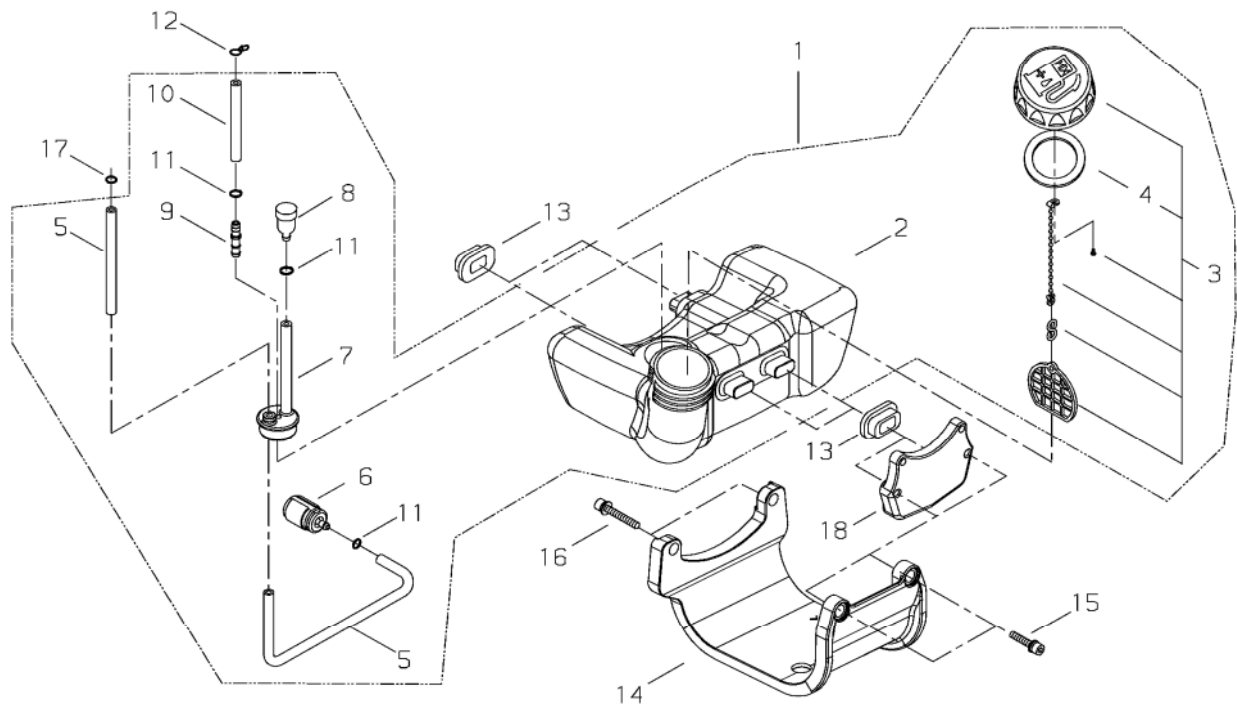
KEY	LV	PART NUMBER	Q'TY	DESCRIPTION	REMARKS	NOTE1	NOTE2
1		62100-81010	1	CARBURETOR ASSY			
2	▪	62100-81310	1	VALVE ASSY			
3	▪	72933-81450	1	SWIVEL			
4	▪	20089-81185	1	WASHER			
5	▪	20036-81195	1	E RING			
6	▪	20089-81130	1	BRACKET			
7	▪	20123-81120	1	CABLE ADJUSTER			
8	▪	20036-81120	1	NUT			
9	▪	70097-81290	2	SCREW			
10	▪	72933-81250	1	RING GASKET			
11	▪	62100-81320	1	NEEDLE		H	
12	▪	20016-81280	1	GASKET			
13	▪	37013-81310	1	DIAPHRAGM			
14	▪	37013-81350	1	PUMP BODY ASSY			
15	▪▪	70030-81380	1	SCREEN			
16	▪▪	20036-81440	1	VALVE			
17	▪▪	72933-81270	1	SPRING			
18	▪▪	20016-81450	1	SCREW			
19	▪▪	22100-81250	1	PIN			
20	▪▪	22100-81230	1	LEVER, METERING			
21	▪	70097-81320	1	DIAPHRAGM			
22	▪	70097-81310	1	GASKET, PUMP			
23	▪	20016-81420	1	PUMP BASE COMP			
24	▪	20016-81510	1	PUMP COVER			
25	▪	20036-81670	1	PRIMER PUMP			
26	▪	20016-81140	4	SCREW			

6. CARBURETOR, CLEANER



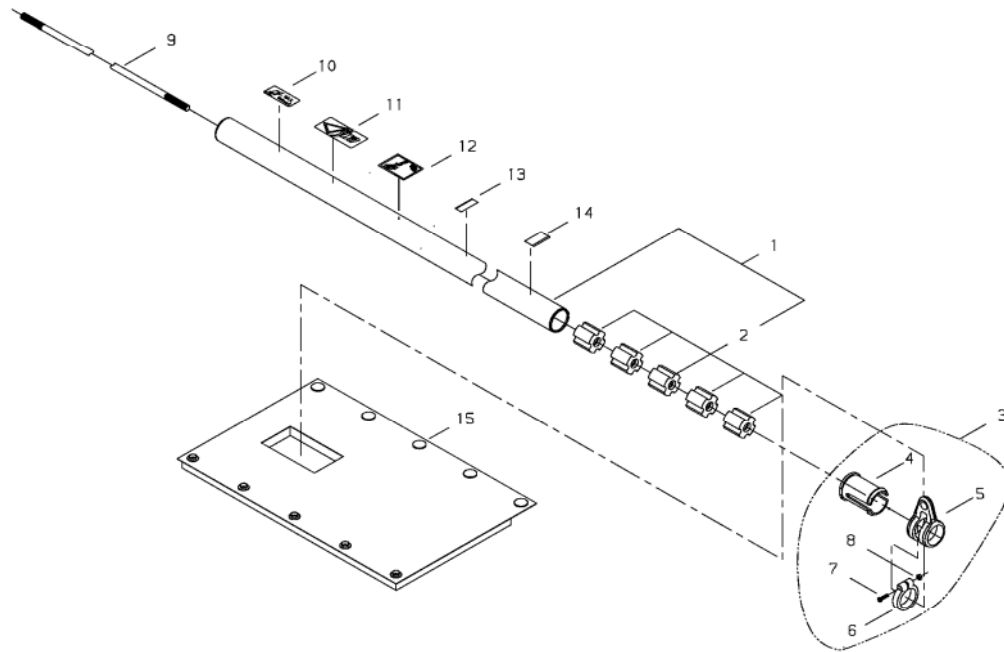
KEY	LV	PART NUMBER	Q'TY	DESCRIPTION	REMARKS	NOTE1	NOTE2
27		62100-81210	1	GASKET			
28		62100-82014	1	CLEANER BODY ASSY			
29		62100-82310	1	BACK PLATE			
30		01020-05605	2	BOLT		M5x60	
31		62100-82120	1	FILTER			
32		62100-82031	1	CLEANER COVER ASSY			
33	•	62100-82130	1	CLEANER COVER			
34	•	23627-21220	1	COLLAR			
35	•	37033-82320	1	KNOB			
36	•	62100-82320	1	CHOKE LEVER			
37	•	38110-82340	1	WAVE WASHER			
38	•	62100-82330	1	CHOKE PLATE			
39	•	01275-04122	1	SCREW, TRUSS, T		4x12	

7. FUEL TANK



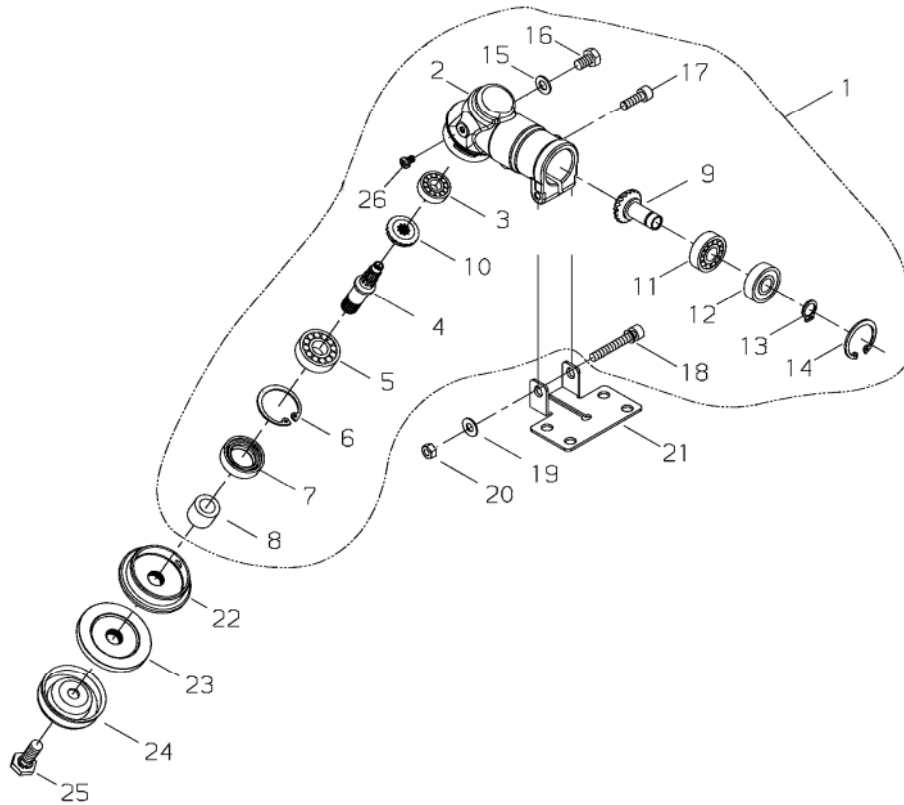
KEY	LV	PART NUMBER	Q'TY	DESCRIPTION	REMARKS	NOTE1	NOTE2
1		62100-85014	1	FUEL TANK ASSY			
2	•	62100-85113	1	FUEL TANK			
3	•	68204-85020	1	FUEL CAP ASSY			
4	• •	20000-85221	1	GASKET			
5	•	62035-85310	1	FUEL PIPE			
6	•	20016-85400	1	FUEL FILTER			
7	•	72933-85350	1	GROMMET			
8	•	20035-85522	1	VALVE			
9	•	72933-85620	1	JOINT			
10	•	20140-83311	1	PIPE			
11	•	20020-85540	3	CLIP			
12		37013-85310	1	CLIP			
13		62901-85220	4	TANK CUSHION			
14		62100-85310	1	TANK GUARD			
15		11022-05180	2	BOLT SPW		M5x18	
16		11024-05400	2	BOLT SW		M5x40	
17		20020-85540	1	CLIP			
18		37076-85211	1	TANK BRACKET			

8. OUTER PIPE



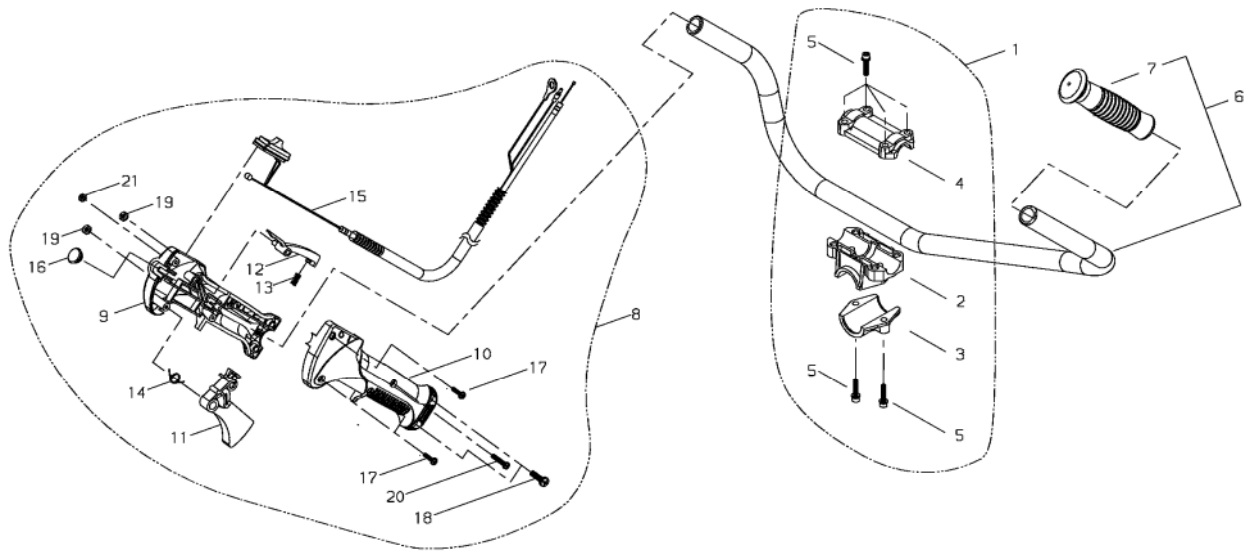
KEY	LV	PART NUMBER	Q'TY	DESCRIPTION	REMARKS	NOTE1	NOTE2
1		72432-12100	1	OUTER PIPE SUB ASSY			
2		22035-12121	5	BUSH			
3		33008-62340	1	HANGER ASSY			
4		33008-62321	1	COLLAR			
5		33008-62151	1	HANGER			
6		33008-62311	1	CLAMP			
7		11203-04160	1	SCREW PM		M4x16	
8		01500-04031	1	NUT		M4	
9		22070-12410	1	MAIN SHAFT			
10		19402-00236	1	LABEL CAUTION			
11		19422-00010	1	LABEL CAUTION		T:0.025	
12		19404-00035	1	LABEL DECIBEL		110 dB (A)	
13		72017-12150	1	HANDLE LABEL			
14		72005-12140	1	CAUTION PLATE			
15		22057-17110	1	PROTECTOR			

9. GEAR CASE



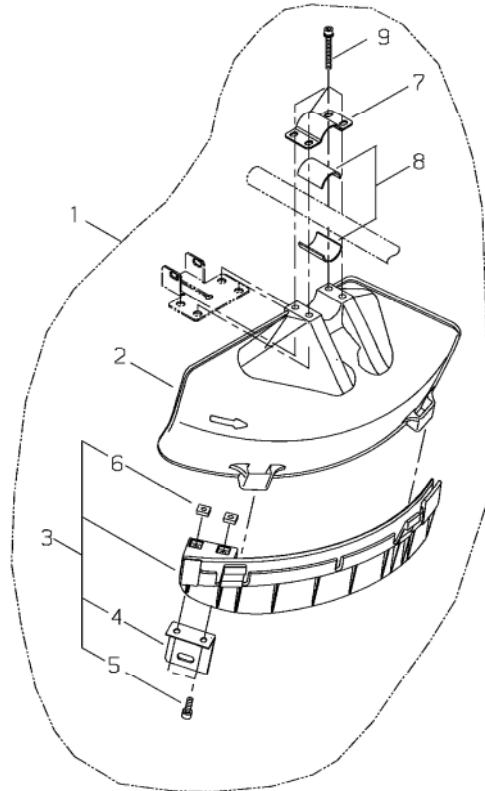
KEY	LV	PART NUMBER	Q'TY	DESCRIPTION	REMARKS	NOTE1	NOTE2
1		60114-98321	1	GEAR CASE SUB ASSY			
2	•	37083-63111	1	GEAR CASE			
3	•	12900-06261	1	BEARING		SBC626	
4	•	33043-63130	1	GEAR SHAFT			
5	•	12900-60003	1	BEARING		SBC6000	
6	•	02432-26120	1	SNAP RING		φ26	
7	•	22035-13140	1	OIL SEAL			
8	•	22035-13230	1	COLLAR			
9	•	37083-63150	1	PINION			
10	•	33043-63140	1	BEVEL GEAR			
11	•	12900-06092	1	BEARING		SBC609	
12	•	12900-06093	1	BEARING		SBC609Z	
13	•	02430-09100	1	SNAP RING		φ9	
14	•	02432-24120	1	SNAP RING		φ24	
15	•	01610-06080	1	WASHER			
16	•	01014-06100	1	BOLT		M6x10	
17	•	01020-05100	1	BOLT		M5x10	
18	•	11022-05400	1	BOLT SW		M5x40	
19		01613-05080	1	WASHER			
20		01500-05041	1	NUT	M5	M5	
21		63076-63310	1	LOWER CLAMP			
22		37083-63160	1	HOLDER			
23		37083-63170	1	HOLDER			
24		33042-63310	1	BOLT GUARD			
25		11031-07200	1	BOLT SW		M7x20	
26		11203-04062	1	SCREW PM		M4x6	

10. HANDLE, THROTTLE LEVER



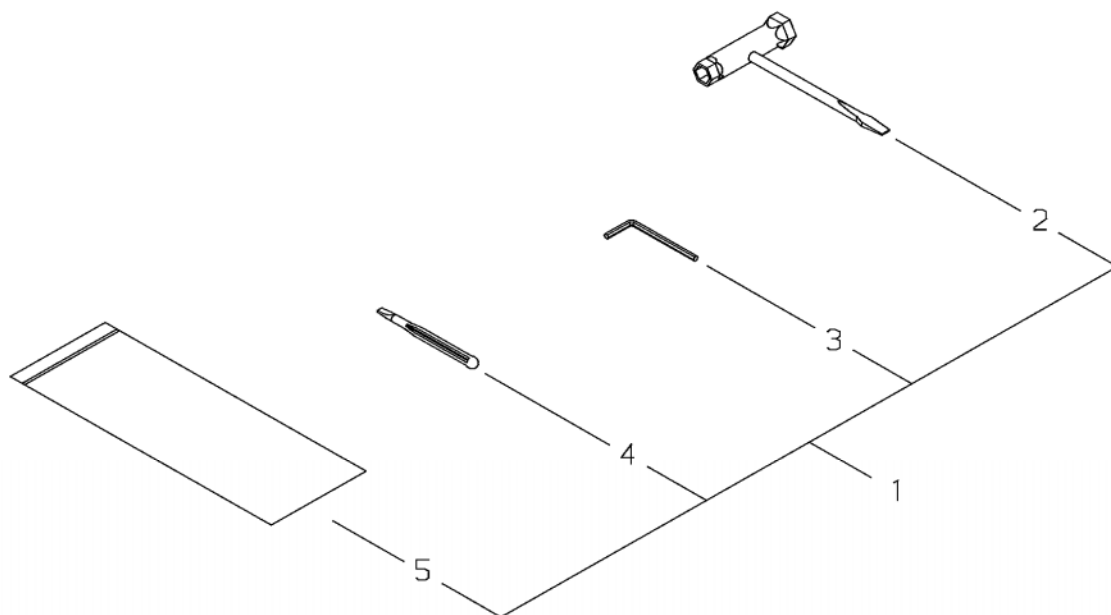
KEY	LV	PART NUMBER	Q'TY	DESCRIPTION	REMARKS	NOTE1	NOTE2
1		34004-64020	1	BRACKET ASSY			
2	•	34004-64110	1	BRACKET			
3	•	34004-64120	1	LOWER CAP			
4	•	34004-64130	1	UPPER CAP			
5	•	11022-05250	6	BOLT SPW		M5x25	
6		64117-64030	1	HANDLE SUB ASSY			
7	•	22421-14230	1	GRIP			
8		64117-64060	1	THROTTLE LEVER ASSY			
9	•	64117-64320	1	BODY RIGHT			
10	•	64117-64330	1	BODY LEFT			
11	•	70871-65130	1	LEVER			
12	•	70871-65140	1	LOCK LEVER			
13	•	70871-65150	1	COIL SPRING			
14	•	70871-65160	1	COIL SPRING			
15	•	64117-64340	1	THROTTLE CABLE ASSY			
16	•	22150-33630	1	PLUG			
17	•	70871-65311	3	SCREW TAPPING			
18	•	70871-65320	2	SCREW PM			
19	•	01501-05030	2	NUT	M5	M5	
20	•	70871-65330	1	SCREW			
21	•	70871-65340	1	NUT			

11. GUARD



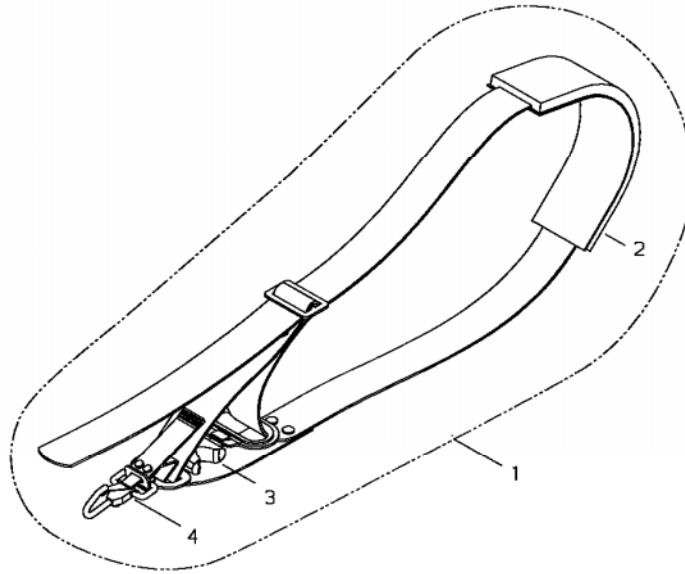
KEY	LV	PART NUMBER	Q'TY	DESCRIPTION	REMARKS	NOTE1	NOTE2
1		62903-66322	1	GUARD SET			
2	▪	62903-66111	1	GUARD			
3	▪	62903-66332	1	SUB GUARD ASSY			
4	▪ ▪	72480-16121	1	CUTTER			
5	▪ ▪	11020-05160	2	BOLT SW		M5x16	
6	▪ ▪	22420-16120	2	NUT			
7	▪	72480-16210	1	UPPER CLAMP			
8	▪	72480-16220	2	SPACER			
9	▪	11022-05450	4	BOLT SPW		M5x45	

12. TOOL



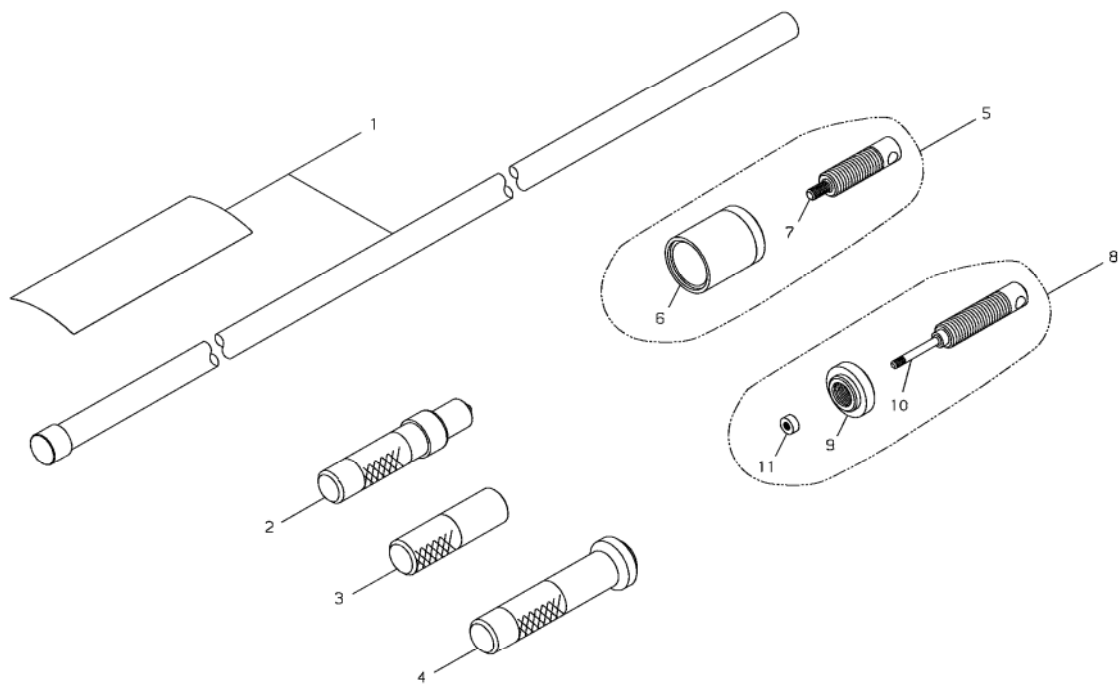
KEY	LV	PART NUMBER	Q'TY	DESCRIPTION	REMARKS	NOTE1	NOTE2
1		64115-92310	1	TOOL SET			
2	•	72320-91410	1	PLUG WRENCH	19-13		
3	•	09026-04001	1	HEXA WRENCH	4MM M5㉿	4mm M5	
4	•	62023-92010	1	SCRAPER			
5	•	19639-01400	1	BAG,PACKING	140*200*T0.08		

13. STRAP



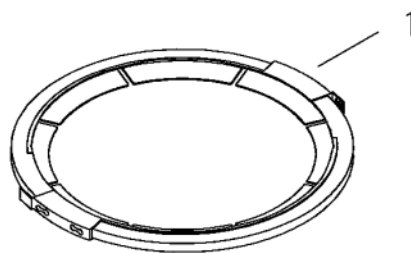
KEY	LV	PART NUMBER	Q'TY	DESCRIPTION	REMARKS	NOTE1	NOTE2
1		72007-17202	1	STRAP ASSY			
2	•	22007-17220	1	PROTECTOR			
3	•	22011-17261	1	CUSHION HARNESS			
4	•	22000-17130	1	HOOK			

14. OPTION TOOL (SHAFT)



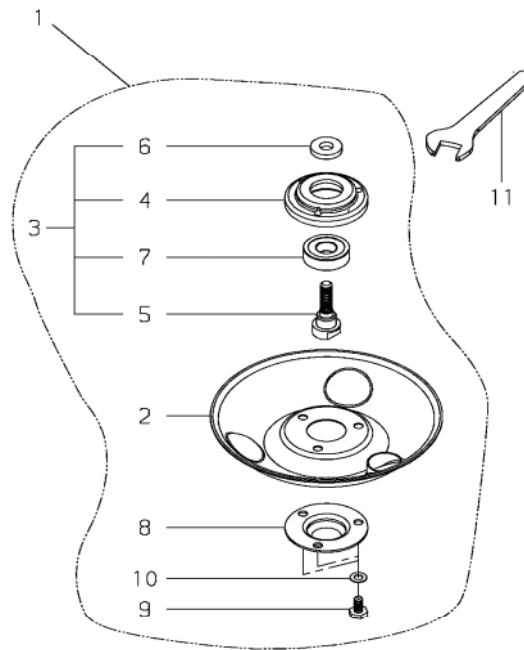
KEY	LV	PART NUMBER	Q'TY	DESCRIPTION	REMARKS	NOTE1	NOTE2
1		22000-96101	1	ROD BUSHING ASSY			
2		30054-98460	1	ROD			
3		30054-98470	1	ROD			
4		37083-98320	1	ROD			
5		22035-96500	1	PULLER SUB ASSY			
6	•	22035-96510	1	PULLER			
7	•	22035-96520	1	BOLT			
8		22035-96601	1	PULLER SUBASSY			
9	•	22035-96610	1	HOLDER			
10	•	22000-96622	1	BOLT			
11	•	22000-96630	1	NUT			

15. BLADE COVER



KEY	LV	PART NUMBER	Q'TY	DESCRIPTION	REMARKS	NOTE1	NOTE2
1		22550-92310	1	BLADE COVER			

16. STABILIZER



KEY	LV	PART NUMBER	Q'TY	DESCRIPTION	REMARKS	NOTE1	NOTE2
1		22036-15300	1	STABILIZER ASSY			
2	▪	22013-15310	1	STABILIZER			
3	▪	22036-15380	1	HOLDER COMP			
4	▪ ▪	22013-15320	1	HOLDER			
5	▪ ▪	22036-15331	1	BEARING SHAFT			
6	▪ ▪	22013-15340	1	WASHER			
7	▪ ▪	02002-06001	1	BEARING			
8	▪	22013-15350	1	SHAFT COVER			
9	▪	01010-05105	3	BOLT			
10	▪	01600-05131	3	SPRING WASHER		5mm	
11		09011-13006	1	SPANNER		13	

Index

Patrs Number	Key No.	Patrs Number	Key No.	Patrs Number	Key No.
01010-05105	16 - 9	14352-02100	4 - 11	22035-96610	14 - 9
01014-06100	9 - 16	19402-00236	8 - 10	22036-15300	16 - 1
01020-05100	9 - 17	19404-00035	8 - 12	22036-15331	16 - 5
01020-05120	1 - 17	19422-00010	8 - 11	22036-15380	16 - 3
01020-05160	1 - 3	19639-01400	12 - 5	22057-17110	8 - 15
01020-05250	2 - 9	20000-21211	2 - 7	22070-12410	8 - 9
01020-05555	1 - 15	20000-72230	4 - 10	22100-71430	3 - 13
01020-05605	6 - 30	20000-85221	7 - 4	22100-81230	6 - 20
01211-04080	1 - 14	20010-75190	5 - 9	22100-81250	6 - 19
01275-04122	6 - 39	20010-75210	5 - 10	22150-33630	10 - 16
01500-04031	8 - 8	20016-81140	6 - 26	22160-72220	4 - 18
01500-05041	9 - 20	20016-81280	6 - 12	22160-72260	4 - 19
01501-05030	10 - 19	20016-81420	6 - 23	22420-16120	11 - 6
01600-05131	16 - 10	20016-81450	6 - 18	22421-14230	10 - 7
01610-05085	1 - 16	20016-81510	6 - 24	22550-92310	15 - 1
01610-06080	9 - 15	20016-85400	7 - 6	23627-21220	6 - 34
01613-05080	9 - 19	20020-85540	7 - 11	30054-98460	14 - 2
02002-06001	16 - 7	20020-85540	7 - 17	30054-98470	14 - 3
02006-06000	2 - 12	20035-71220	4 - 3	33008-62151	8 - 5
02403-03100	4 - 2	20035-85522	7 - 8	33008-62311	8 - 6
02430-09100	9 - 13	20036-81120	6 - 8	33008-62321	8 - 4
02432-24120	9 - 14	20036-81195	6 - 5	33008-62340	8 - 3
02432-26120	2 - 13	20036-81440	6 - 16	33042-63310	9 - 24
02432-26120	9 - 6	20036-81670	6 - 25	33043-63130	9 - 4
02432-40170	2 - 19	20087-31411	2 - 18	33043-63140	9 - 10
09011-13006	16 - 11	20087-51210	3 - 11	34004-64020	10 - 1
09026-04001	12 - 3	20087-51231	3 - 12	34004-64110	10 - 2
11020-05160	11 - 5	20089-81130	6 - 6	34004-64120	10 - 3
11020-05220	2 - 20	20089-81185	6 - 4	34004-64130	10 - 4
11022-05180	2 - 16	20123-81120	6 - 7	37013-21120	2 - 4
11022-05180	7 - 15	20140-83311	7 - 10	37013-41230	3 - 5
11022-05250	10 - 5	22000-13320	2 - 15	37013-41240	3 - 6
11022-05300	1 - 6	22000-17130	13 - 4	37013-51310	3 - 10
11022-05400	9 - 18	22000-96101	14 - 1	37013-75310	5 - 7
11022-05450	11 - 9	22000-96622	14 - 10	37013-81310	6 - 13
11024-04200	5 - 12	22000-96630	14 - 11	37013-81350	6 - 14
11024-05400	7 - 16	22007-17220	13 - 2	37013-85310	7 - 12
11031-07200	9 - 25	22011-17261	13 - 3	37019-71110	4 - 1
11060-04163	2 - 23	22013-15310	16 - 2	37033-15212	1 - 7
11060-04204	4 - 14	22013-15320	16 - 4	37033-82320	6 - 35
11203-04062	9 - 26	22013-15340	16 - 6	37076-75010	5 - 1
11203-04160	8 - 7	22013-15350	16 - 8	37076-75020	5 - 11
12492-40080	2 - 8	22035-12121	8 - 2	37076-75110	5 - 2
12900-06092	9 - 11	22035-13140	9 - 7	37076-75120	5 - 3
12900-06093	9 - 12	22035-13230	9 - 8	37076-75140	5 - 8
12900-06261	9 - 3	22035-96500	14 - 5	37076-75310	5 - 4
12900-60003	9 - 5	22035-96510	14 - 6	37076-75320	5 - 5
12900-60010	2 - 3	22035-96520	14 - 7	37076-85211	7 - 18
13000-13506	4 - 17	22035-96601	14 - 8	37083-63111	9 - 2

Index

Patrs Number	Key No.	Patrs Number	Key No.	Patrs Number	Key No.
37083-63150	9 - 9	62903-66111	11 - 2		
37083-63160	9 - 22	62903-66322	11 - 1		
37083-63170	9 - 23	62903-66332	11 - 3		
37083-98320	14 - 4	63076-63310	9 - 21		
38110-82340	6 - 37	64115-92310	12 - 1		
60114-98310	3 - 14	64117-64030	10 - 6		
60114-98321	9 - 1	64117-64060	10 - 8		
62023-92010	12 - 4	64117-64320	10 - 9		
62035-85310	7 - 5	64117-64330	10 - 10		
62100-12111	1 - 1	64117-64340	10 - 15		
62100-12120	1 - 2	68204-85020	7 - 3		
62100-12212	1 - 4	70030-41320	3 - 4		
62100-12220	1 - 5	70030-71620	4 - 13		
62100-15012	1 - 8	70030-75130	5 - 6		
62100-15370	1 - 10	70030-81380	6 - 15		
62100-15381	1 - 12	70097-81290	6 - 9		
62100-15392	1 - 13	70097-81310	6 - 22		
62100-15401	1 - 11	70097-81320	6 - 21		
62100-21010	2 - 1	70140-51102	3 - 8		
62100-21020	2 - 5	70140-51113	3 - 9		
62100-21111	2 - 2	70871-65130	10 - 11		
62100-21211	2 - 6	70871-65140	10 - 12		
62100-31014	2 - 10	70871-65150	10 - 13		
62100-31111	2 - 11	70871-65160	10 - 14		
62100-31210	2 - 14	70871-65311	10 - 17		
62100-31311	2 - 24	70871-65320	10 - 18		
62100-32111	2 - 21	70871-65330	10 - 20		
62100-32312	2 - 22	70871-65340	10 - 21		
62100-41111	3 - 1	72005-12140	8 - 14		
62100-42011	3 - 7	72007-17202	13 - 1		
62100-71021	4 - 4	72017-12150	8 - 13		
62100-71310	4 - 12	72320-91410	12 - 2		
62100-81010	6 - 1	72432-12100	8 - 1		
62100-81210	6 - 27	72480-16121	11 - 4		
62100-81310	6 - 2	72480-16210	11 - 7		
62100-81320	6 - 11	72480-16220	11 - 8		
62100-82014	6 - 28	72933-41210	3 - 2		
62100-82031	6 - 32	72933-41310	3 - 3		
62100-82120	6 - 31	72933-81250	6 - 10		
62100-82130	6 - 33	72933-81270	6 - 17		
62100-82310	6 - 29	72933-81450	6 - 3		
62100-82320	6 - 36	72933-85350	7 - 7		
62100-82330	6 - 38	72933-85620	7 - 9		
62100-85014	7 - 1				
62100-85113	7 - 2				
62100-85310	7 - 14				
62121-91330	2 - 25				
6212291320	5 - 13				
62901-85220	7 - 13				

YAMABIKO CORPORATION

7-2 SUEHIROCHO 1-CHOME, OHME, TOKYO 198-8760, JAPAN
PHONE: 81-428-32-6118. FAX: 81-428-32-6145.

shindaiwa[®]

EC2
No.