

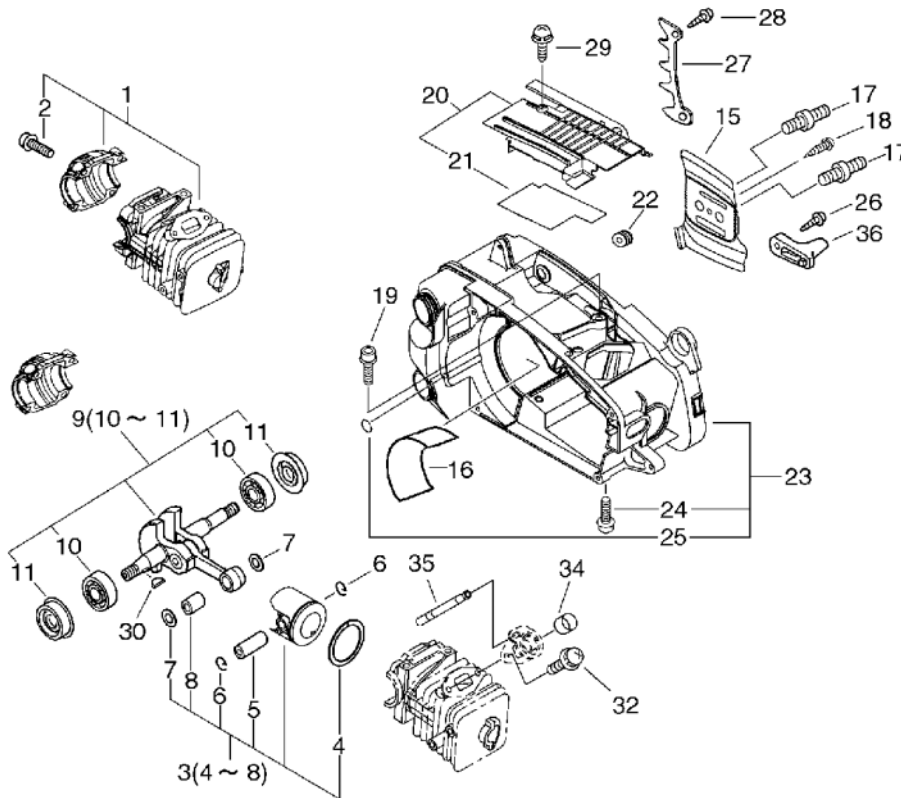


PARTS CATALOGUE

CHAIN SAW CS-350WES(36)ESP

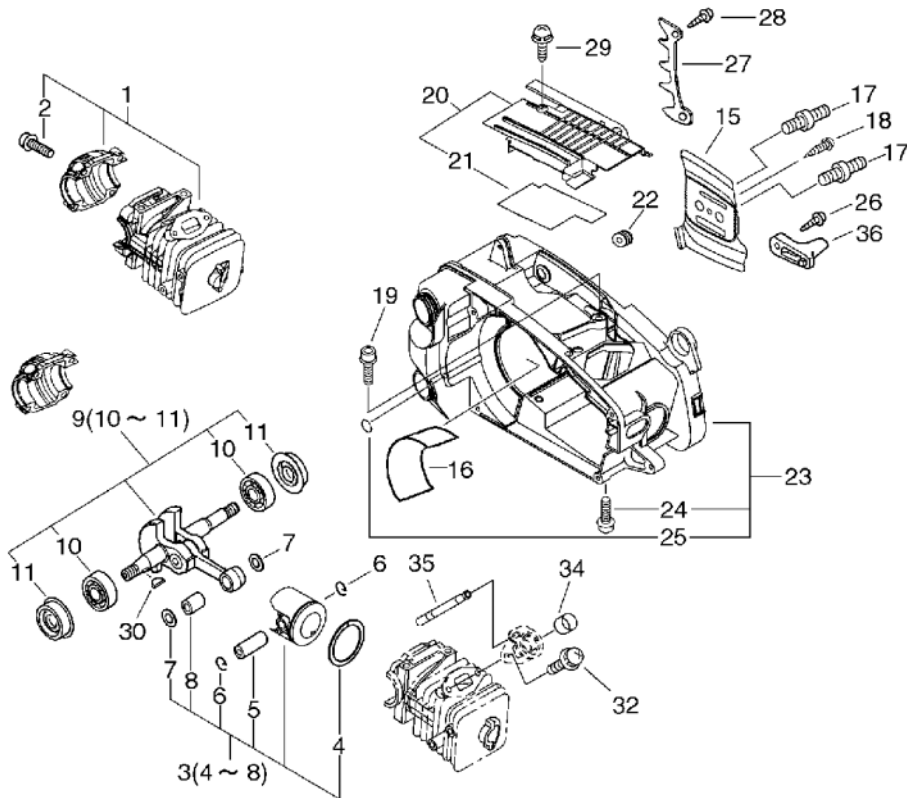
CS-350WES(36)ESP

1. Cylinder, Crankcase, Piston



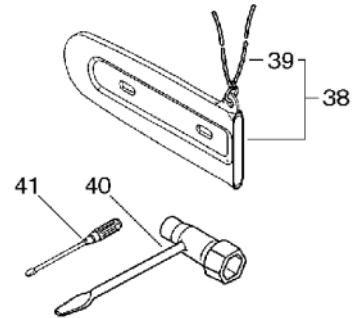
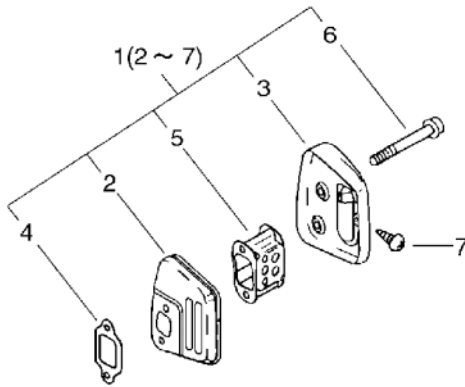
| KEY | LV | PART NUMBER | Q'TY | DESCRIPTION | REMARKS | NOTE1 | NOTE2 |
|-----|----|--------------|------|----------------------|----------------------|-------|-------|
| 1 | | P021-009250 | 1 | CRANKCASE SET | | | |
| 2 | + | 900162-05025 | 4 | BOLT, H.S. 5*25 | 5*25 W,SW | | |
| 3 | | P021-009230 | 1 | PISTON KIT | | | |
| 4 | + | A101-000120 | 1 | RING,PISTON | BF R0.2 | | |
| 5 | + | 100013-15330 | 1 | PIN, PISTON | 5.5*8*29 | | |
| 6 | + | 100015-04630 | 2 | CIRCLIP, PISTON PIN | | | |
| 7 | + | 100014-60930 | 2 | SPACER, PISTON PIN | | | |
| 8 | + | V553-000040 | 1 | BEARING,NEEDLE 8 | 8E- KV8X11X11.8XS | | |
| 9 | | P021-010701 | 1 | CRANKSHAFT ASY | | | |
| 10 | + | 94035-36201 | 2 | BEARING BALL | 6201X3JR2C3 | | |
| 11 | + | V505-000010 | 2 | SEAL,OIL 12 | | | |
| 15 | | C305-000080 | 1 | PLATE,SPROCKET GUARD | T0.3 | | |
| 16 | | V420-001110 | 1 | CUSHION | | | |
| 17 | | 433011-03931 | 2 | STUD, GUIDE BAR | | | |
| 18 | | 900253-04010 | 1 | SCREW 4*10 | 4*10 | | |
| 19 | | 900106-05020 | 2 | BOLT, H.S. 5*20 | 5*20 | | |
| 20 | | P021-008741 | 1 | DUSTCOVER SET | | | |
| 21 | + | V341-000040 | 1 | WASHER,SQUARE | | | |
| 22 | | 163911-30130 | 1 | PLUG | | | |
| 23 | | P021-008676 | 1 | COVER,ENGINE KIT | | | |
| 24 | + | 900106-05030 | 2 | BOLT, H.S.H. 5*30 | 5*30 | | |
| 25 | + | 900724-00004 | 1 | O-RING (S-4) | S-4 | | |
| 26 | | 900253-05020 | 1 | SCREW 5*20 | 5*20 | | |
| 27 | | C304-000000 | 1 | SPIKE | | | |
| 28 | | 900253-05020 | 1 | SCREW 5*20 | 5*20 | | |

1. Cylinder, Crankcase, Piston



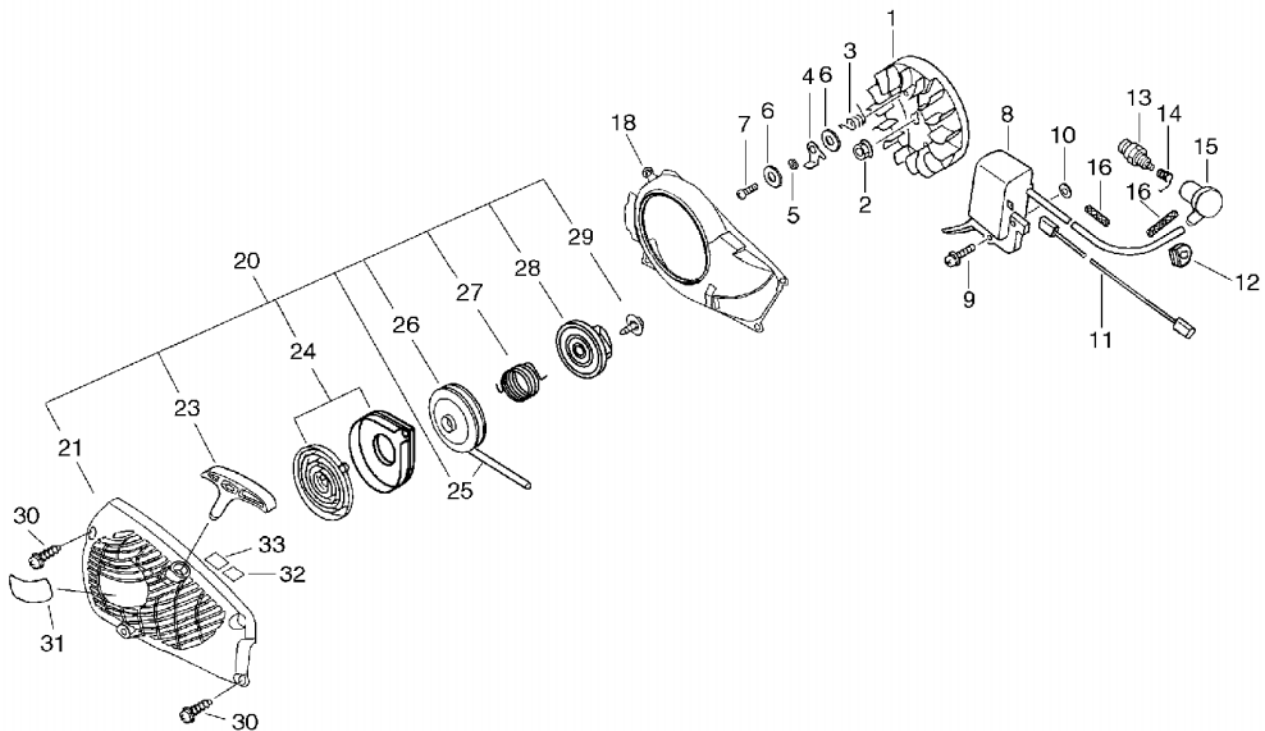
| KEY | LV | PART NUMBER | Q'TY | DESCRIPTION | REMARKS | NOTE1 | NOTE2 |
|-----|----|--------------|------|----------------|---------|-------|-------|
| 29 | | 900253-04012 | 2 | SCREW | 4*12 | | |
| 30 | | 100142-12330 | 1 | KEY, WOODRUFF | | | |
| 32 | | 91420-05012 | 2 | SCREW | 5*12 | | |
| 34 | | V359-000060 | 1 | COLLAR,16 | | | |
| 35 | | V470-000481 | 1 | PIPE | 3*7*65 | | |
| 36 | | 433026-35430 | 1 | CATCHER, CHAIN | | | |

2. Muffler, Tools



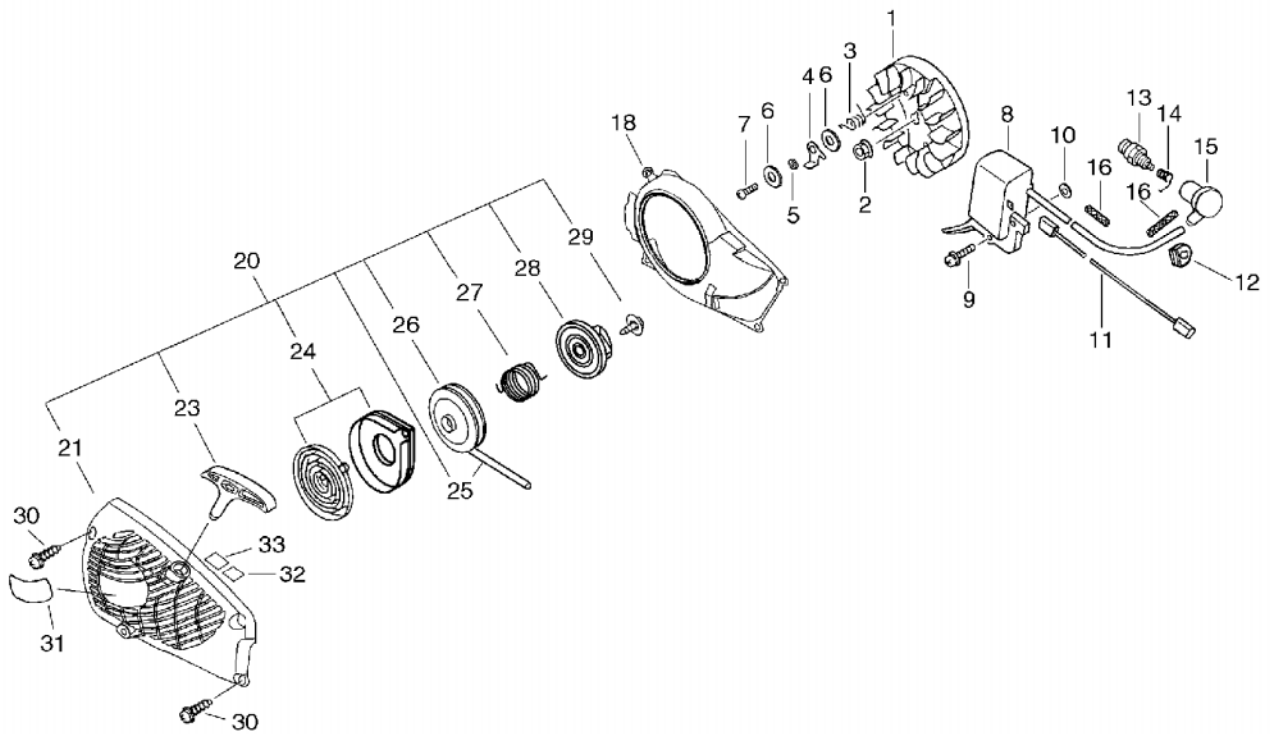
| KEY | LV | PART NUMBER | Q'TY | DESCRIPTION | REMARKS | NOTE1 | NOTE2 |
|-----|----|--------------|------|---------------------|----------|-------|-------|
| 1 | | P021-004952 | 1 | MUFFLER ASY | | | |
| 2 | + | A300-000370 | 1 | MUFFLER,EXHAUST | | | |
| 3 | + | P021-008650 | 1 | MUFFLER LID ASY | | | |
| 4 | + | 145510-13931 | 1 | GASKET, MUFFLER | | | |
| 5 | + | A301-000000 | 1 | PLATE,MUFFLER | | | |
| 6 | + | 91107-05040 | 2 | BOLT HSH FLANGE | 5*40 | | |
| 7 | + | 900250-04008 | 1 | SCREW 4*8 | 4*8 | | |
| 38 | | P021-006951 | 1 | SCABBARD,CHAIN | (ORANGE) | | |
| 39 | + | 898568-14530 | 1 | ROPE | 5*900 | | |
| 40 | | 895410-03930 | 1 | WRENCH, W/S. DRIVER | | | |
| 41 | | 895812-03930 | 1 | DRIVER, SCREW 50 | | | |

3. Starter, Magneto



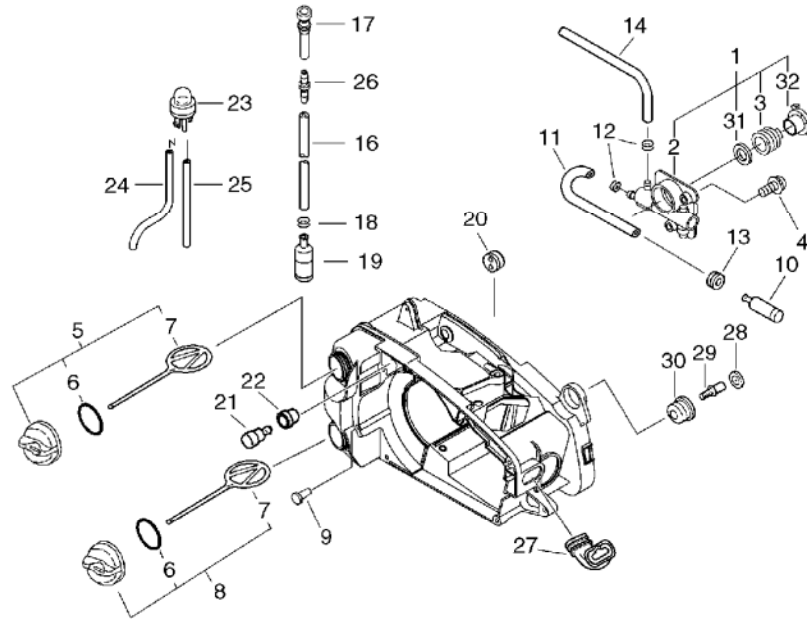
| KEY | LV | PART NUMBER | Q'TY | DESCRIPTION | REMARKS | NOTE1 | NOTE2 |
|-----|----|--------------|------|----------------------|-----------------|-------|-------|
| 1 | | A409-000170 | 1 | ROTOR,MAGNETO | | | |
| 2 | | 900515-00008 | 1 | NUT, FLANGE 8 | 8 | | |
| 3 | | 177234-35430 | 2 | SPRING, RETURN | | | |
| 4 | | A514-000020 | 2 | PAWL | | | |
| 5 | | 177247-04630 | 2 | SPACER, RATCHET | 5.2*8*2.1 | | |
| 6 | | 900603-00005 | 4 | WASHER 5 | 5.5*12*0.8 | | |
| 7 | | V203-000080 | 2 | BOLT,5 | 5*14 | | |
| 8 | | A411-000150 | 1 | COIL,IGNITION | | | |
| 9 | | 900238-05022 | 2 | SCREW 5*22 | 5*22 | | |
| 10 | | 150117-16430 | 2 | SPACER | | | |
| 11 | | V485-000550 | 1 | LEAD | AMP-187 AMP-250 | | |
| 12 | | 156110-04920 | 1 | BUSHING | | | |
| 13 | | 159010-10230 | 1 | PLUG, SPARK (BPMR-7A | BPMR-7A | | |
| 14 | | A426-000000 | 1 | TERMINAL,SPARKPLUG | | | |
| 15 | | A427-000000 | 1 | CAP, SPARK PLUG | | | |
| 16 | | V475-002390 | 2 | TUBE | | | |
| 18 | | A172-000501 | 1 | COVER,FAN | | | |
| 20 | | A051-000802 | 1 | STARTER,RECOIL | | | |
| 21 | + | P022-009771 | 1 | STARTER,RECOIL | | | |
| 23 | + | P022-005890 | 1 | GRIP, STARTER | | | |
| 24 | + | P022-001330 | 1 | SPRING KIT, REWIND | | | |
| 25 | + | P022-008440 | 1 | ROPE, STARTER | 3.5*900 | | |
| 26 | + | A506-000030 | 1 | REEL,ROPE | | | |
| 27 | + | V452-000220 | 1 | SPRING,TORSION | D2.3φ21.1 | | |
| 28 | + | A507-000021 | 1 | CATCHER,PAWL | | | |

3. Starter, Magneto



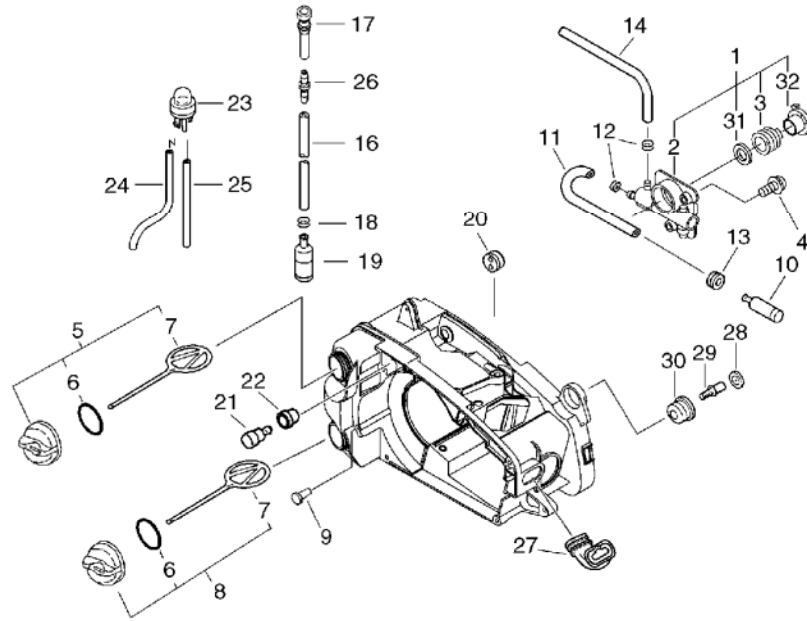
| KEY | LV | PART NUMBER | Q'TY | DESCRIPTION | REMARKS | NOTE1 | NOTE2 |
|-----|----|--------------|------|-------------------|---------|-------|-------|
| 29 | + | 177236-61830 | 1 | SCREW | | | |
| 30 | | 900256-04016 | 4 | SCREW 4*16 | 4*16 | | |
| 31 | | X502-000101 | 1 | LABEL,ECHO | | | |
| 32 | | X505-000180 | 1 | LABEL,CAUTION | | | |
| 33 | | X530-000210 | 1 | LABEL,EYE CATCHER | | | |

4. Auto-Oiler



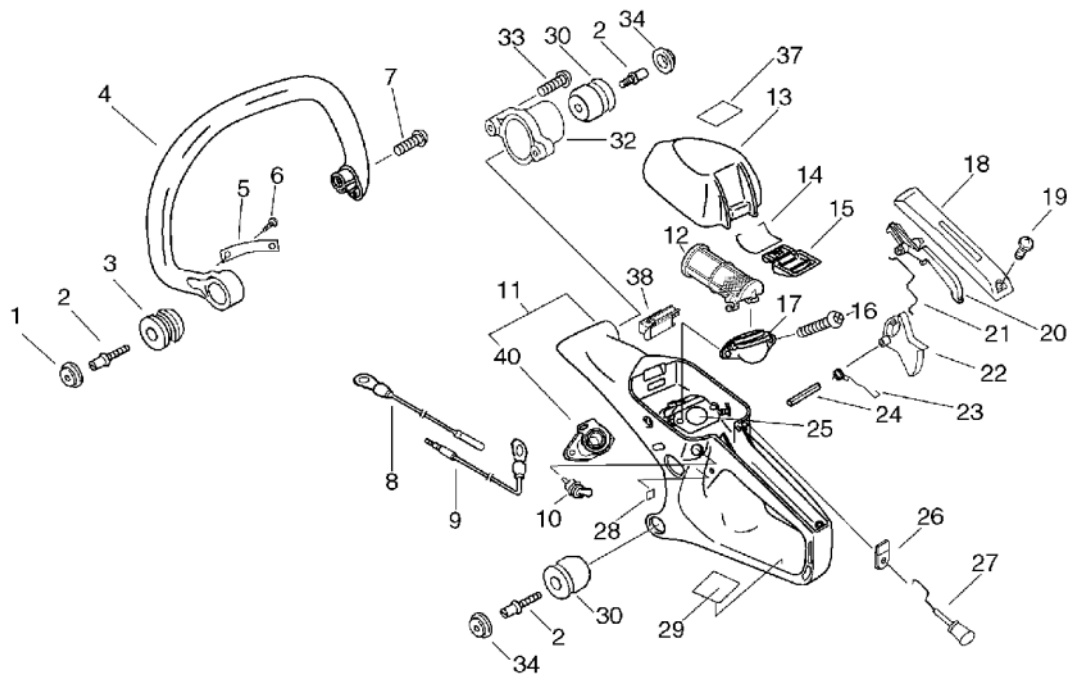
| KEY | LV | PART NUMBER | Q'TY | DESCRIPTION | REMARKS | NOTE1 | NOTE2 |
|-----|----|--------------|------|---------------------|---------------|-------|-------|
| 1 | | P021-010890 | 1 | AUTO-OILER ASY | | | |
| 2 | + | C022-000020 | 1 | AUTO-OILER ASSEMBLY | | | |
| 3 | + | V652-000030 | 1 | GEAR,WORM | | | |
| 32 | + | V356-000290 | 1 | COLLAR,10 | | | |
| 31 | + | V308-000030 | 1 | WASHER,CIRCULAR 11 | 10.5*17.4*1.8 | | |
| 4 | | 900238-04012 | 2 | SCREW 4*12 | 4*12 | | |
| 5 | | P021-005591 | 1 | CAP ASY | | | |
| 6 | + | 900720-00018 | 1 | O-RING 18 | P-18 | | |
| 7 | + | A365-000050 | 1 | CONNECTOR,CAP | | | |
| 8 | | P021-005581 | 1 | OIL CAP ASY | | | |
| 6 | + | 900720-00018 | 1 | O-RING 18 | P-18 | | |
| 7 | + | A365-000050 | 1 | CONNECTOR,CAP | | | |
| 9 | | 436114-13930 | 1 | VALVE, CHECK | | | |
| 10 | | 436205-02832 | 1 | STRAINER, OIL | | | |
| 11 | | V471-000740 | 1 | PIPE | | | |
| 12 | | 132013-26630 | 2 | CLIP | 6.5MM | | |
| 13 | | 132115-01461 | 1 | GROMMET | | | |
| 14 | | V471-000760 | 1 | PIPE | | | |
| 16 | | V471-000750 | 1 | PIPE | | | |
| 17 | | V470-000320 | 1 | PIPE | | | |
| 18 | | 132013-09820 | 1 | CLIP | 6MM | | |
| 19 | | 131205-14930 | 1 | STRAINER,FUEL | | | |
| 20 | | 132115-44330 | 1 | GROMMET | | | |
| 21 | | 131300-56430 | 1 | VALVE, CHECK | | | |
| 22 | | V137-000000 | 1 | GROMMET,FUEL | | | |

4. Auto-Oiler



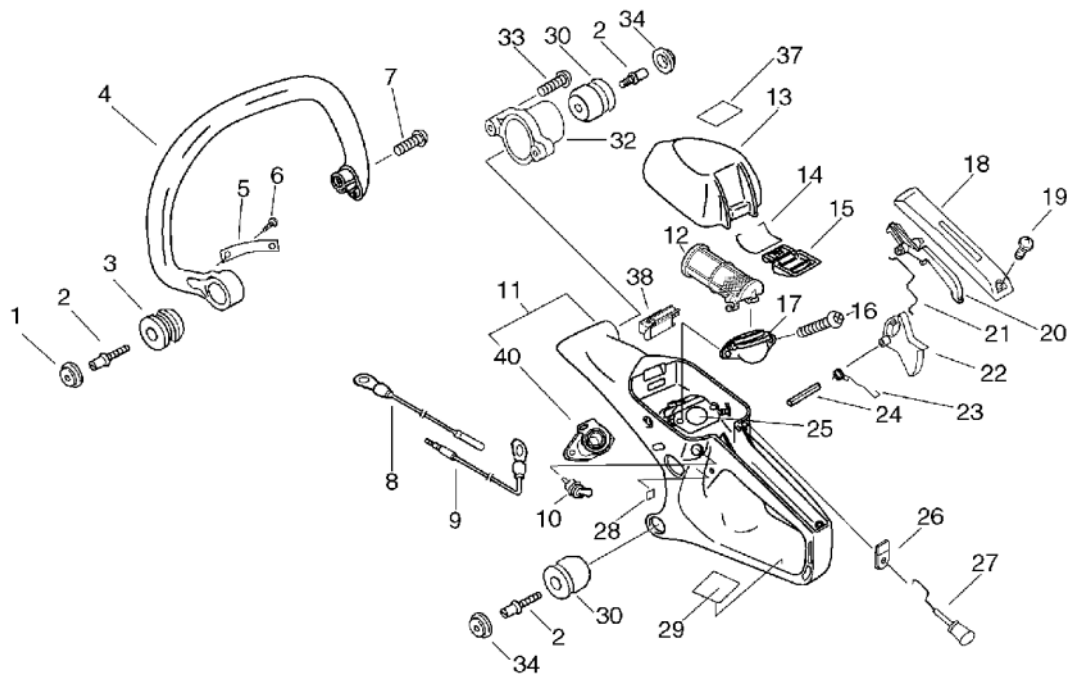
| KEY | LV | PART NUMBER | Q'TY | DESCRIPTION | REMARKS | NOTE1 | NOTE2 |
|-----|----|--------------|------|--------------|-----------|-------|-------|
| 23 | | 123181-39130 | 1 | PUMP, PRIMER | | | |
| 24 | | V471-001440 | 1 | PIPE | 2.4*5*295 | | |
| 25 | | V471-001290 | 1 | PIPE | 2.4*5*75 | | |
| 26 | | V186-000020 | 1 | JOINT,PIPE | | | |
| 27 | | A239-000030 | 1 | PIPE,INTAKE | L TYPE | | |
| 28 | | 100918-15130 | 1 | CAP | | | |
| 29 | | V202-000020 | 1 | BOLT,4 | | | |
| 30 | | 100910-18830 | 1 | CUSHION | | | |

5. Air Cleaner, Handle



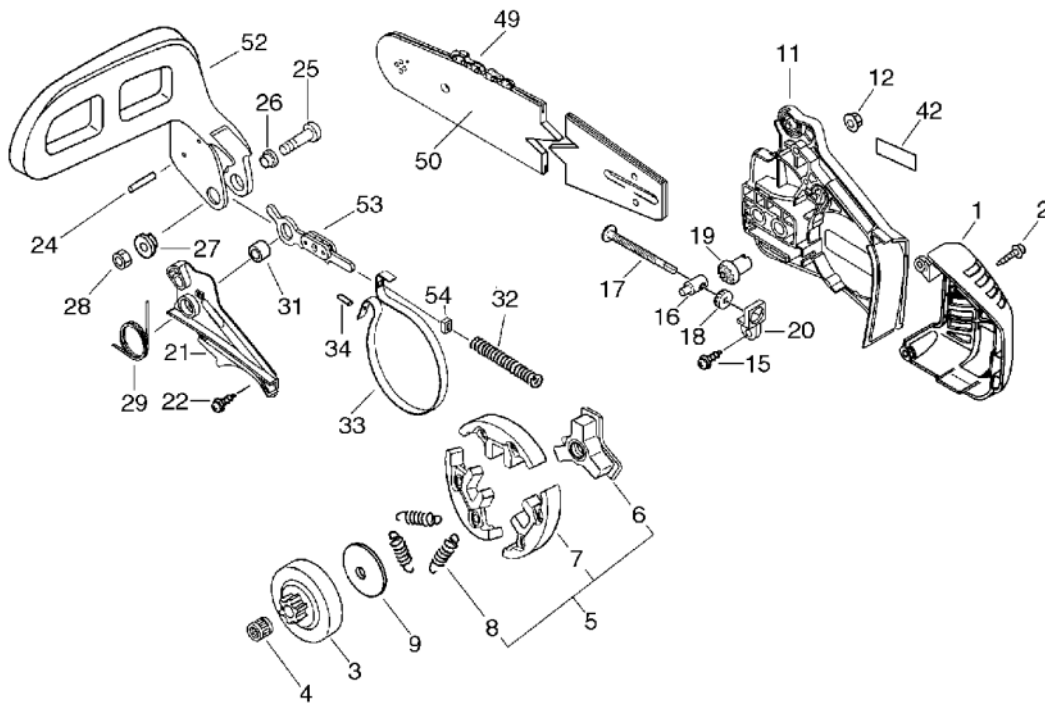
| KEY | LV | PART NUMBER | Q'TY | DESCRIPTION | REMARKS | NOTE1 | NOTE2 |
|-----|----|--------------|------|---------------------|---------------|---------------------|-------|
| 1 | | 100918-14330 | 1 | CAP, CUSHION | | | |
| 2 | | V202-000020 | 3 | BOLT,4 | | | |
| 3 | | V401-000120 | 1 | CUSHION,5 | | | |
| 4 | | C400-000320 | 1 | HANDLE,FRONT | | | |
| 5 | | C617-000200 | 1 | STOPPER | | | |
| 6 | | 900253-04008 | 1 | SCREW 4*8 | 4*8 | | |
| 7 | | 900253-05020 | 2 | SCREW 5*20 | 5*20 | | |
| 8 | | V485-000560 | 1 | LEAD | CB-104 LA-105 | | |
| 9 | | V485-000571 | 1 | LEAD | | | |
| 10 | | 163400-38430 | 1 | SWITCH, IGNITION | | | |
| 11 | | P021-011540 | 1 | HANDLE, REAR | | Sus. by P021-011541 | |
| 40 | + | A202-000033 | 1 | BELLOWS,INTAKE | | | |
| 12 | | A226-000260 | 1 | ELEMENT,AIR FILTER | | | |
| 13 | | A232-000191 | 1 | LID,CLEANER | | | |
| 14 | | V582-000020 | 1 | RING,SNAP | CSE2700 | | |
| 15 | | A235-000140 | 1 | KNOB,CLEANER LID | | | |
| 16 | | 900238-05050 | 2 | SCREW 5*50 | 5*50 | | |
| 17 | | A204-000060 | 1 | ELBOW,CARBURETOR | | | |
| 18 | | C411-000001 | 1 | LID,HANDLE | | | |
| 19 | | 900253-04012 | 1 | SCREW | 4*12 | | |
| 20 | | 178090-37930 | 1 | LOCKOUT, T. CONTROL | | | |
| 21 | | C454-000110 | 1 | ROD, THROTTLE | | | |
| 22 | | C450-000140 | 1 | TRIGGER,THROTTLE | | | |
| 23 | | 178043-35430 | 1 | SPRING, THR.RETURN | | | |

5. Air Cleaner, Handle



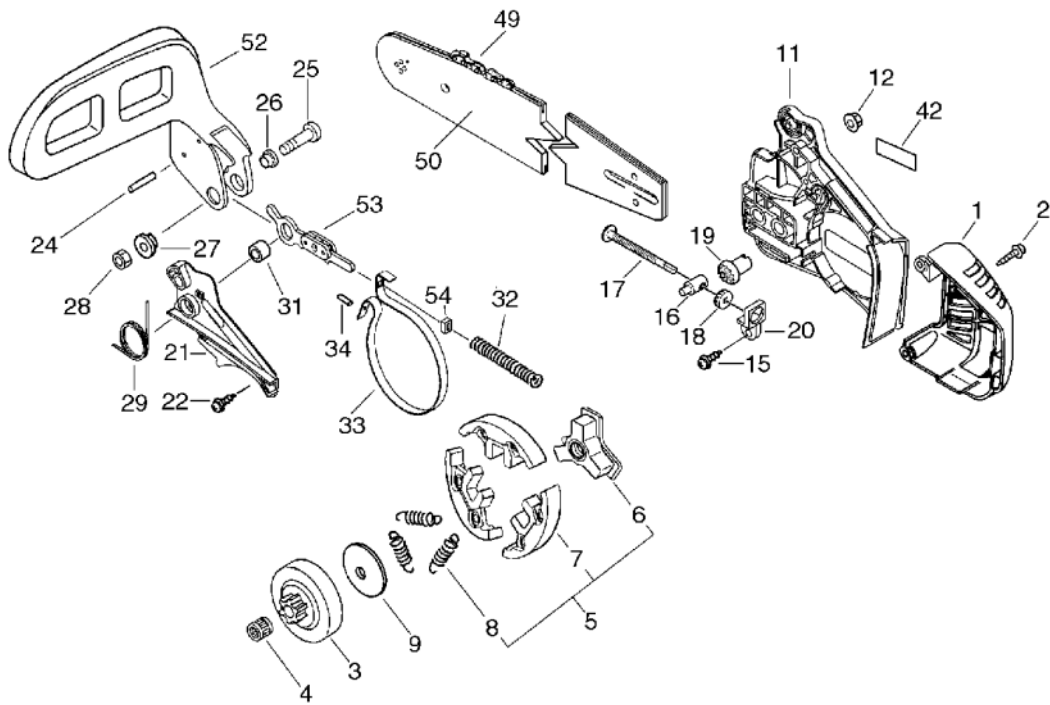
| KEY | LV | PART NUMBER | Q'TY | DESCRIPTION | REMARKS | NOTE1 | NOTE2 |
|-----|----|--------------|------|----------------------|-----------|-------|-------|
| 24 | | 900345-40025 | 1 | PIN, SPRING 4*25SUS | 4*25SUS | | |
| 25 | | A021-001560 | 1 | CARBURETOR,DIAPHRAGM | WT-897 | | |
| 26 | | V130-000010 | 1 | GROMMET,CHOKE | | | |
| 27 | | A241-000060 | 1 | KNOB,CHOKE | | | |
| 28 | | 890157-39130 | 1 | LABEL, SWITCH | | | |
| 29 | | 890345-39230 | 1 | LABEL,CAUTION | | | |
| 30 | | V400-000041 | 2 | CUSHION,4 | 10MM | | |
| 32 | | V424-000000 | 1 | SLEEVE,CUSHION | | | |
| 33 | | 900253-04016 | 2 | SCREW 4*16 | 4*16 | | |
| 34 | | 100918-15130 | 2 | CAP | | | |
| 37 | | X503-008180 | 1 | LABEL,MODEL | CS-350WES | | |
| 38 | | V142-000020 | 1 | GROMMET,DUST | | | |

6. Clutch, Sprocket



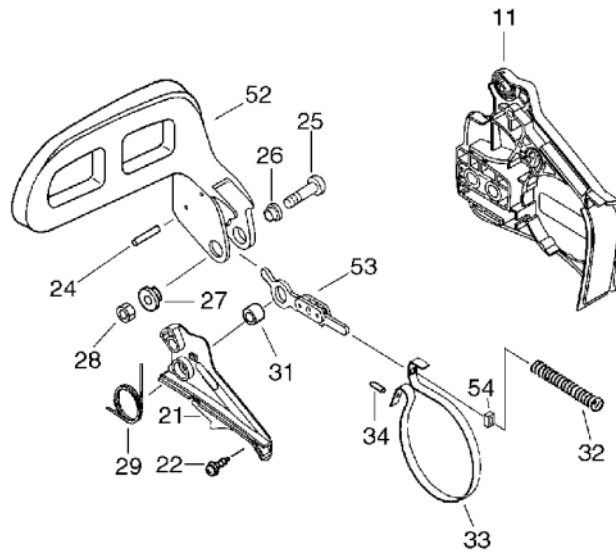
| KEY | LV | PART NUMBER | Q'TY | DESCRIPTION | REMARKS | NOTE1 | NOTE2 |
|-----|----|--------------|------|-----------------|---------|-------|-------|
| 1 | | A320-000183 | 1 | COVER,MUFFLER | | | |
| 2 | | 900253-04016 | 2 | SCREW 4*16 | 4*16 | | |
| 3 | | 175005-39132 | 1 | DRUM, CLUTCH | 3/8A | | |
| 4 | | 175012-00831 | 1 | BEARING, NEEDLE | | | |
| 5 | | A056-000070 | 1 | CLUTCH | | | |
| 6 | + | A552-000020 | 1 | HUB,CLUTCH | | | |
| 7 | + | P021-005810 | 1 | CLUTCH SHOE SET | | | |
| 8 | + | V451-000470 | 3 | SPRING,TENSION | | | |
| 9 | | A551-000010 | 1 | PLATE,CLUTCH | | | |
| 11 | | C300-000242 | 1 | GUARD,SPROCKET | | | |
| 12 | | 433019-03933 | 2 | NUT, FLANGE 6 | 6 | | |
| 15 | | 900253-04012 | 1 | SCREW | 4*12 | | |
| 16 | | C309-000030 | 1 | TENSIONER,CHAIN | | | |
| 17 | | V203-000041 | 1 | BOLT,5 | | | |
| 18 | | V651-000011 | 1 | GEAR,BEVEL | | | |
| 19 | | V651-000001 | 1 | GEAR,BEVEL | | | |
| 20 | | V355-000140 | 1 | COLLAR,8 | | | |
| 21 | | C345-000084 | 1 | COVER,BRAKE | | | |
| 22 | | 900253-04012 | 3 | SCREW | 4*12 | | |
| 24 | | 900330-30260 | 2 | ROLLER 3*26 | 3*26 | | |
| 25 | | 91318-05032 | 1 | SCREW | 5*32 | | |
| 26 | | 433167-39130 | 1 | SPACER | | | |
| 27 | | V353-000060 | 1 | COLLAR,5 | | | |
| 28 | | 900562-50005 | 1 | LOCKNUT 5 | 5 | | |
| 29 | | V452-000110 | 1 | SPRING,TORSION | | | |
| 31 | | 433116-35430 | 1 | SPACER 8 | 8*12*9 | | |

6. Clutch, Sprocket



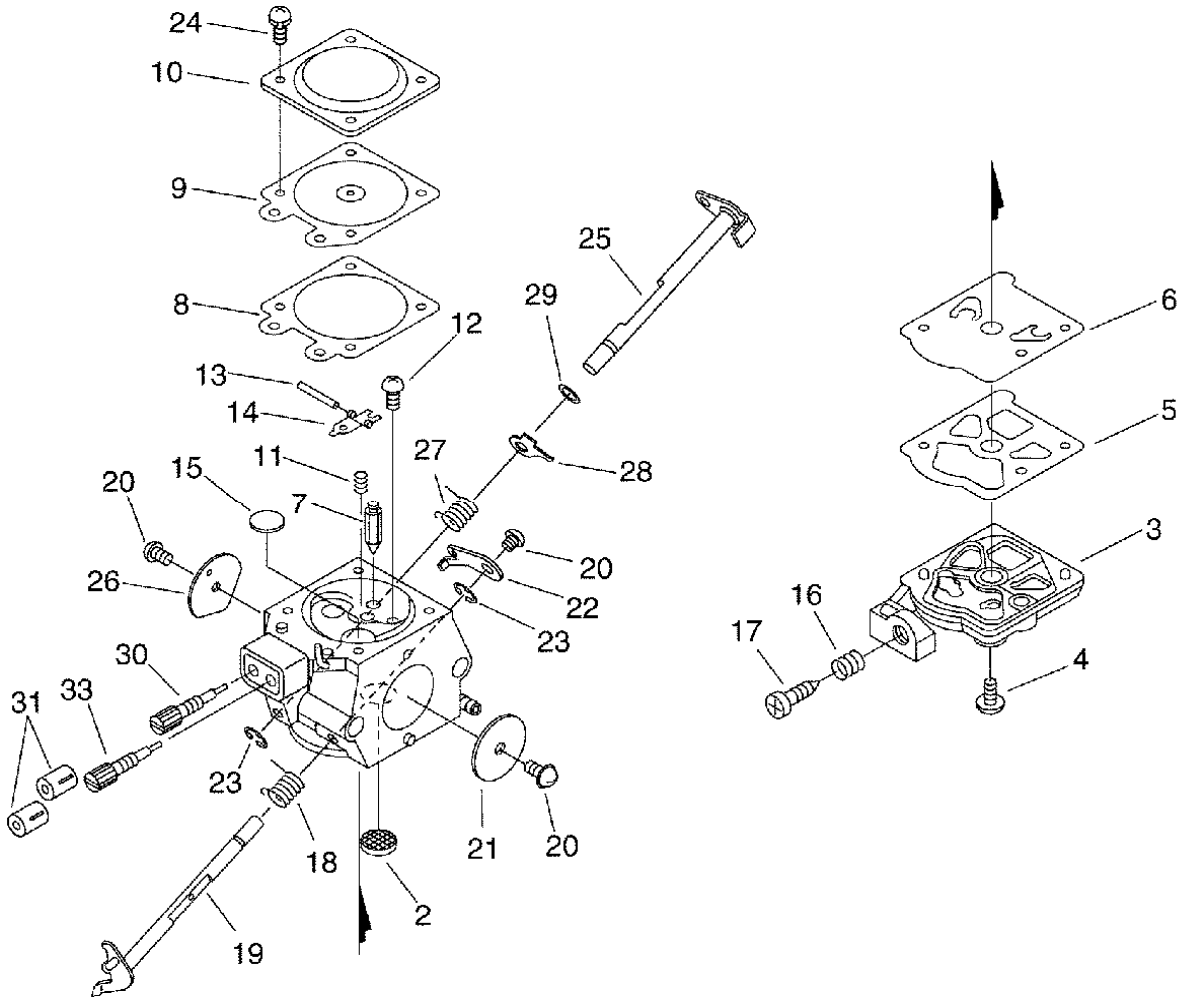
| KEY | LV | PART NUMBER | Q'TY | DESCRIPTION | REMARKS | NOTE1 | NOTE2 |
|-----|----|--------------|------|----------------------|-------------|-------|-------|
| 32 | | V450-000070 | 1 | SPRING,COMPRESSION | | | |
| 33 | | C328-000030 | 1 | BAND,BRAKE | | | |
| 34 | | 93050-30098 | 1 | ROLLER | F3*9.8 | | |
| 42 | | X502-000340 | 1 | LABEL,ECHO | ECHO(WHITE) | | |
| 49 | | 431019-39931 | 1 | CHAIN,SAW | 91VX-53E | | |
| 50 | | X123-000131 | 1 | BAR,GUIDE35RC50M-3/8 | 35RC50M-3/8 | | |
| 52 | | C320-000046 | 1 | LEVER,BRAKE | | | |
| 53 | | C334-000070 | 1 | CONNECTOR,BRAKE | | | |
| 54 | | V376-000450 | 1 | SPACER | | | |

7. Chain Brake Asy



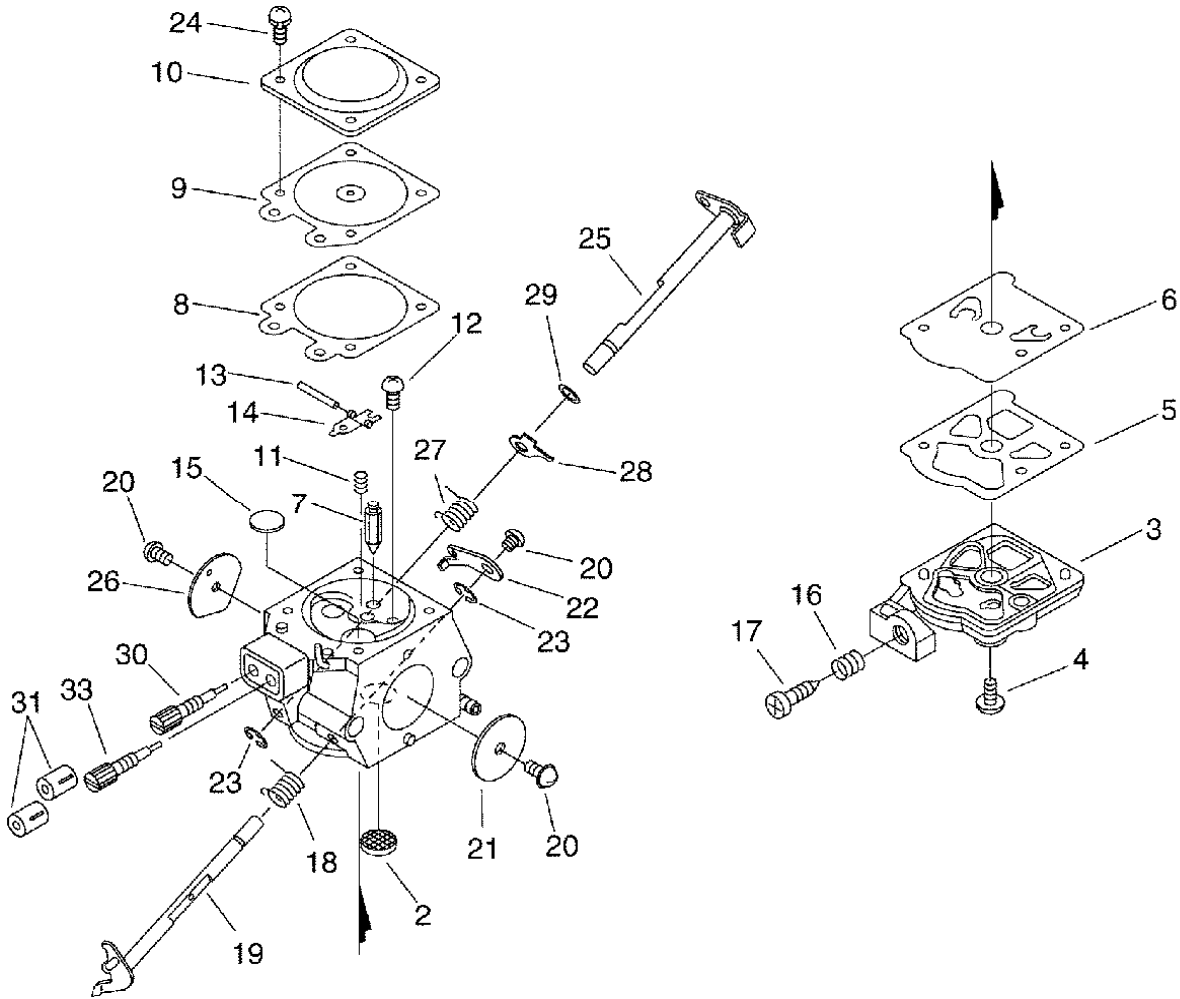
| KEY | LV | PART NUMBER | Q'TY | DESCRIPTION | REMARKS | NOTE1 | NOTE2 |
|-----|----|--------------|------|--------------------|---------|-------|-------|
| | | C032-000215 | 1 | BRAKE,ASM CHAIN | | | |
| 11 | + | C300-000242 | 1 | GUARD,SPROCKET | | | |
| 21 | + | C345-000084 | 1 | COVER,BRAKE | | | |
| 22 | + | 900253-04012 | 3 | SCREW | 4*12 | | |
| 24 | + | 900330-30260 | 2 | ROLLER 3*26 | 3*26 | | |
| 25 | + | 91318-05032 | 1 | SCREW | 5*32 | | |
| 26 | + | 433167-39130 | 1 | SPACER | | | |
| 27 | + | V353-000060 | 1 | COLLAR,5 | | | |
| 28 | + | 900562-50005 | 1 | LOCKNUT 5 | 5 | | |
| 29 | + | V452-000110 | 1 | SPRING,TORSION | | | |
| 31 | + | 433116-35430 | 1 | SPACER 8 | 8*12*9 | | |
| 32 | + | V450-000070 | 1 | SPRING,COMPRESSION | | | |
| 33 | + | C328-000030 | 1 | BAND,BRAKE | | | |
| 34 | + | 93050-30098 | 1 | ROLLER | F3*9.8 | | |
| 52 | + | C320-000046 | 1 | LEVER,BRAKE | | | |
| 53 | + | C334-000070 | 1 | CONNECTOR,BRAKE | | | |
| 54 | + | V376-000450 | 1 | SPACER | | | |

8. Carburetor



| KEY | LV | PART NUMBER | Q'TY | DESCRIPTION | REMARKS | NOTE1 | NOTE2 |
|-----|----|--------------|------|----------------------|---------|-------|-------|
| | | A021-001560 | 1 | CARBURETOR,DIAPHRAGM | WT-897 | | |
| 2 | + | 123126-10631 | 1 | SCREEN, INLET | | | |
| 3 | + | 123124-24430 | 1 | COVER, FUEL PUMP | | | |
| 4 | + | 123110-03930 | 1 | SCREW, PUMP COVER | | | |
| 5 | + | 123125-15030 | 1 | GASKET, FUEL PUMP | | | |
| 6 | + | 123112-15030 | 1 | DIAPHRAGM, FUEL PUMP | | | |
| 7 | + | 123137-19830 | 1 | VALVE, INLET NEEDLE | | | |
| 8 | + | 123140-27230 | 1 | GASKET, M. DIAPHRAGM | | | |
| 9 | + | 123141-03930 | 1 | DIAPHRAGM, METERING | | | |
| 10 | + | 123142-03930 | 1 | COVER, M. DIAPHRAGM | | | |
| 11 | + | 123122-39830 | 1 | SPRING, METER. LEVER | | | |
| 12 | + | 123139-03930 | 1 | SCREW, M. LEVER PIN | | | |
| 13 | + | 123138-03930 | 1 | PIN, METERING LEVER | | | |
| 14 | + | 123123-03930 | 1 | LEVER, METERING | | | |
| 15 | + | 123146-10631 | 1 | PLUG, WELCH | | | |
| 16 | + | 123133-04260 | 1 | SPRING, IDLE ADJUST | | | |
| 17 | + | 123134-04260 | 1 | SCREW, IDLE ADJUST | | | |
| 18 | + | 123113-37530 | 1 | SPRING, THROTTLE RTN | | | |
| 19 | + | P003-000480 | 1 | SHAFT, THROTTLE | | | |
| 20 | + | 123114-38830 | 3 | SCREW | | | |
| 21 | + | 123116-10530 | 1 | VALVE, THROTTLE | | | |
| 22 | + | P003-001040 | 1 | LEVER THROTTLE | | | |
| 23 | + | 123127-15030 | 2 | RING | | | |
| 24 | + | 123130-02960 | 4 | SCREW | | | |
| 25 | + | P003-001140 | 1 | SHAFT, CHOKE | | | |
| 26 | + | 123132-35430 | 1 | VALVE, CHOKE | | | |

8. Carburetor



| KEY | LV | PART NUMBER | Q'TY | DESCRIPTION | REMARKS | NOTE1 | NOTE2 |
|-----|----|--------------|------|-----------------|---------|-------|-------|
| 27 | + | P003-001470 | 1 | SPRING | | | |
| 28 | + | P003-001510 | 1 | LEVER-FAST IDLE | | | |
| 29 | + | 123149-26030 | 1 | WASHER | | | |
| 30 | + | 123118-02261 | 1 | NEEDLE | | | |
| 31 | + | P003-000010 | 2 | LIMITER CAP | | | |
| 33 | + | 123120-03661 | 1 | NEEDLE | | | |

Index

| Patrs Number | Key No. | Patrs Number | Key No. | Patrs Number | Key No. |
|---------------------|----------------|---------------------|----------------|---------------------|----------------|
| 100013-15330 | 1 - 5 | 177236-61830 | 3 - 29 | 91107-05040 | 2 - 6 |
| 100014-60930 | 1 - 7 | 177247-04630 | 3 - 5 | 91318-05032 | 6 - 25 |
| 100015-04630 | 1 - 6 | 178043-35430 | 5 - 23 | 91318-05032 | 7 - 25 |
| 100142-12330 | 1 - 30 | 178090-37930 | 5 - 20 | 91420-05012 | 1 - 32 |
| 100910-18830 | 4 - 30 | 431019-39931 | 6 - 49 | 93050-30098 | 6 - 34 |
| 100918-14330 | 5 - 1 | 433011-03931 | 1 - 17 | 93050-30098 | 7 - 34 |
| 100918-15130 | 4 - 28 | 433019-03933 | 6 - 12 | 94035-36201 | 1 - 10 |
| 100918-15130 | 5 - 34 | 433026-35430 | 1 - 36 | A021-001560 | 5 - 25 |
| 123110-03930 | 8 - 4 | 433116-35430 | 6 - 31 | A021-001560 | 8 - |
| 123112-15030 | 8 - 6 | 433116-35430 | 7 - 31 | A051-000802 | 3 - 20 |
| 123113-37530 | 8 - 18 | 433167-39130 | 6 - 26 | A056-000070 | 6 - 5 |
| 123114-38830 | 8 - 20 | 433167-39130 | 7 - 26 | A101-000120 | 1 - 4 |
| 123116-10530 | 8 - 21 | 436114-13930 | 4 - 9 | A172-000501 | 3 - 18 |
| 123118-02261 | 8 - 30 | 436205-02832 | 4 - 10 | A202-000033 | 5 - 40 |
| 123120-03661 | 8 - 33 | 890157-39130 | 5 - 28 | A204-000060 | 5 - 17 |
| 123122-39830 | 8 - 11 | 890345-39230 | 5 - 29 | A226-000260 | 5 - 12 |
| 123123-03930 | 8 - 14 | 895410-03930 | 2 - 40 | A232-000191 | 5 - 13 |
| 123124-24430 | 8 - 3 | 895812-03930 | 2 - 41 | A235-000140 | 5 - 15 |
| 123125-15030 | 8 - 5 | 898568-14530 | 2 - 39 | A239-000030 | 4 - 27 |
| 123126-10631 | 8 - 2 | 900106-05020 | 1 - 19 | A241-000060 | 5 - 27 |
| 123127-15030 | 8 - 23 | 900106-05030 | 1 - 24 | A300-000370 | 2 - 2 |
| 123130-02960 | 8 - 24 | 900162-05025 | 1 - 2 | A301-000000 | 2 - 5 |
| 123132-35430 | 8 - 26 | 900238-04012 | 4 - 4 | A320-000183 | 6 - 1 |
| 123133-04260 | 8 - 16 | 900238-05022 | 3 - 9 | A365-000050 | 4 - 7 |
| 123134-04260 | 8 - 17 | 900238-05050 | 5 - 16 | A365-000050 | 4 - 7 |
| 123137-19830 | 8 - 7 | 900250-04008 | 2 - 7 | A409-000170 | 3 - 1 |
| 123138-03930 | 8 - 13 | 900253-04008 | 5 - 6 | A411-000150 | 3 - 8 |
| 123139-03930 | 8 - 12 | 900253-04010 | 1 - 18 | A426-000000 | 3 - 14 |
| 123140-27230 | 8 - 8 | 900253-04012 | 1 - 29 | A427-000000 | 3 - 15 |
| 123141-03930 | 8 - 9 | 900253-04012 | 5 - 19 | A506-000030 | 3 - 26 |
| 123142-03930 | 8 - 10 | 900253-04012 | 6 - 15 | A507-000021 | 3 - 28 |
| 123146-10631 | 8 - 15 | 900253-04012 | 6 - 22 | A514-000020 | 3 - 4 |
| 123149-26030 | 8 - 29 | 900253-04012 | 7 - 22 | A551-000010 | 6 - 9 |
| 123181-39130 | 4 - 23 | 900253-04016 | 5 - 33 | A552-000020 | 6 - 6 |
| 131205-14930 | 4 - 19 | 900253-04016 | 6 - 2 | C022-000020 | 4 - 2 |
| 131300-56430 | 4 - 21 | 900253-05020 | 1 - 26 | C032-000215 | 7 - |
| 132013-09820 | 4 - 18 | 900253-05020 | 1 - 28 | C300-000242 | 6 - 11 |
| 132013-26630 | 4 - 12 | 900253-05020 | 5 - 7 | C300-000242 | 7 - 11 |
| 132115-01461 | 4 - 13 | 900256-04016 | 3 - 30 | C304-000000 | 1 - 27 |
| 132115-44330 | 4 - 20 | 900330-30260 | 6 - 24 | C305-000080 | 1 - 15 |
| 145510-13931 | 2 - 4 | 900330-30260 | 7 - 24 | C309-000030 | 6 - 16 |
| 150117-16430 | 3 - 10 | 900345-40025 | 5 - 24 | C320-000046 | 6 - 52 |
| 156110-04920 | 3 - 12 | 900515-00008 | 3 - 2 | C320-000046 | 7 - 52 |
| 159010-10230 | 3 - 13 | 900562-50005 | 6 - 28 | C328-000030 | 6 - 33 |
| 163400-38430 | 5 - 10 | 900562-50005 | 7 - 28 | C328-000030 | 7 - 33 |
| 163911-30130 | 1 - 22 | 900603-00005 | 3 - 6 | C334-000070 | 6 - 53 |
| 175005-39132 | 6 - 3 | 900720-00018 | 4 - 6 | C334-000070 | 7 - 53 |
| 175012-00831 | 6 - 4 | 900720-00018 | 4 - 6 | C345-000084 | 6 - 21 |
| 177234-35430 | 3 - 3 | 900724-00004 | 1 - 25 | C345-000084 | 7 - 21 |

Index

| Patrs Number | Key No. | Patrs Number | Key No. | Patrs Number | Key No. |
|---------------------|----------------|---------------------|----------------|---------------------|----------------|
| C400-000320 | 5 - 4 | V450-000070 | 6 - 32 | | |
| C411-000001 | 5 - 18 | V450-000070 | 7 - 32 | | |
| C450-000140 | 5 - 22 | V451-000470 | 6 - 8 | | |
| C454-000110 | 5 - 21 | V452-000110 | 6 - 29 | | |
| C617-000200 | 5 - 5 | V452-000110 | 7 - 29 | | |
| P003-000010 | 8 - 31 | V452-000220 | 3 - 27 | | |
| P003-000480 | 8 - 19 | V470-000320 | 4 - 17 | | |
| P003-001040 | 8 - 22 | V470-000481 | 1 - 35 | | |
| P003-001140 | 8 - 25 | V471-000740 | 4 - 11 | | |
| P003-001470 | 8 - 27 | V471-000750 | 4 - 16 | | |
| P003-001510 | 8 - 28 | V471-000760 | 4 - 14 | | |
| P021-004952 | 2 - 1 | V471-001290 | 4 - 25 | | |
| P021-005581 | 4 - 8 | V471-001440 | 4 - 24 | | |
| P021-005591 | 4 - 5 | V475-002390 | 3 - 16 | | |
| P021-005810 | 6 - 7 | V485-000550 | 3 - 11 | | |
| P021-006951 | 2 - 38 | V485-000560 | 5 - 8 | | |
| P021-008650 | 2 - 3 | V485-000571 | 5 - 9 | | |
| P021-008676 | 1 - 23 | V505-000010 | 1 - 11 | | |
| P021-008741 | 1 - 20 | V553-000040 | 1 - 8 | | |
| P021-009230 | 1 - 3 | V582-000020 | 5 - 14 | | |
| P021-009250 | 1 - 1 | V651-000001 | 6 - 19 | | |
| P021-010701 | 1 - 9 | V651-000011 | 6 - 18 | | |
| P021-010890 | 4 - 1 | V652-000030 | 4 - 3 | | |
| P021-011540 | 5 - 11 | X123-000131 | 6 - 50 | | |
| P022-001330 | 3 - 24 | X502-000101 | 3 - 31 | | |
| P022-005890 | 3 - 23 | X502-000340 | 6 - 42 | | |
| P022-008440 | 3 - 25 | X503-008180 | 5 - 37 | | |
| P022-009771 | 3 - 21 | X505-000180 | 3 - 32 | | |
| V130-000010 | 5 - 26 | X530-000210 | 3 - 33 | | |
| V137-000000 | 4 - 22 | | | | |
| V142-000020 | 5 - 38 | | | | |
| V186-000020 | 4 - 26 | | | | |
| V202-000020 | 4 - 29 | | | | |
| V202-000020 | 5 - 2 | | | | |
| V203-000041 | 6 - 17 | | | | |
| V203-000080 | 3 - 7 | | | | |
| V308-000030 | 4 - 31 | | | | |
| V341-000040 | 1 - 21 | | | | |
| V353-000060 | 6 - 27 | | | | |
| V353-000060 | 7 - 27 | | | | |
| V355-000140 | 6 - 20 | | | | |
| V356-000290 | 4 - 32 | | | | |
| V359-000060 | 1 - 34 | | | | |
| V376-000450 | 6 - 54 | | | | |
| V376-000450 | 7 - 54 | | | | |
| V400-000041 | 5 - 30 | | | | |
| V401-000120 | 5 - 3 | | | | |
| V420-001110 | 1 - 16 | | | | |
| V424-000000 | 5 - 32 | | | | |

YAMABIKO CORPORATION

7-2 SUEHIROCHO 1-CHOME, OHME, TOKYO 198-8760, JAPAN
PHONE: 81-428-32-6118. FAX: 81-428-32-6145.



)ESP
No.