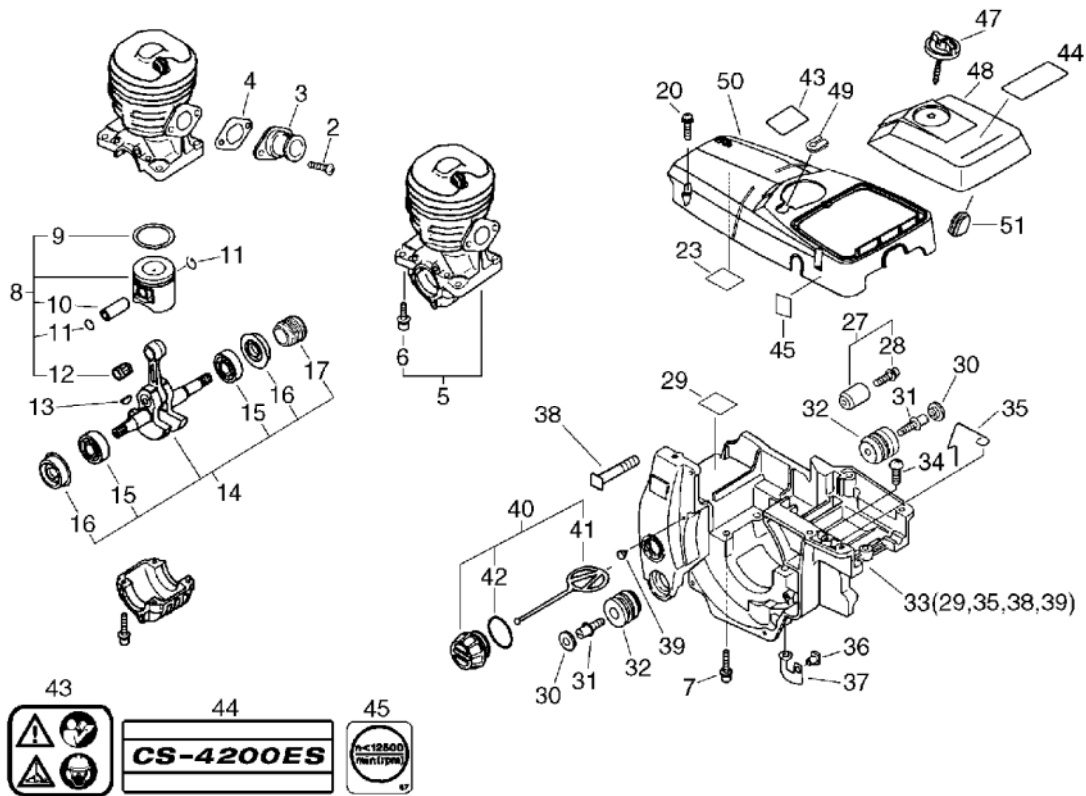




PARTS CATALOGUE

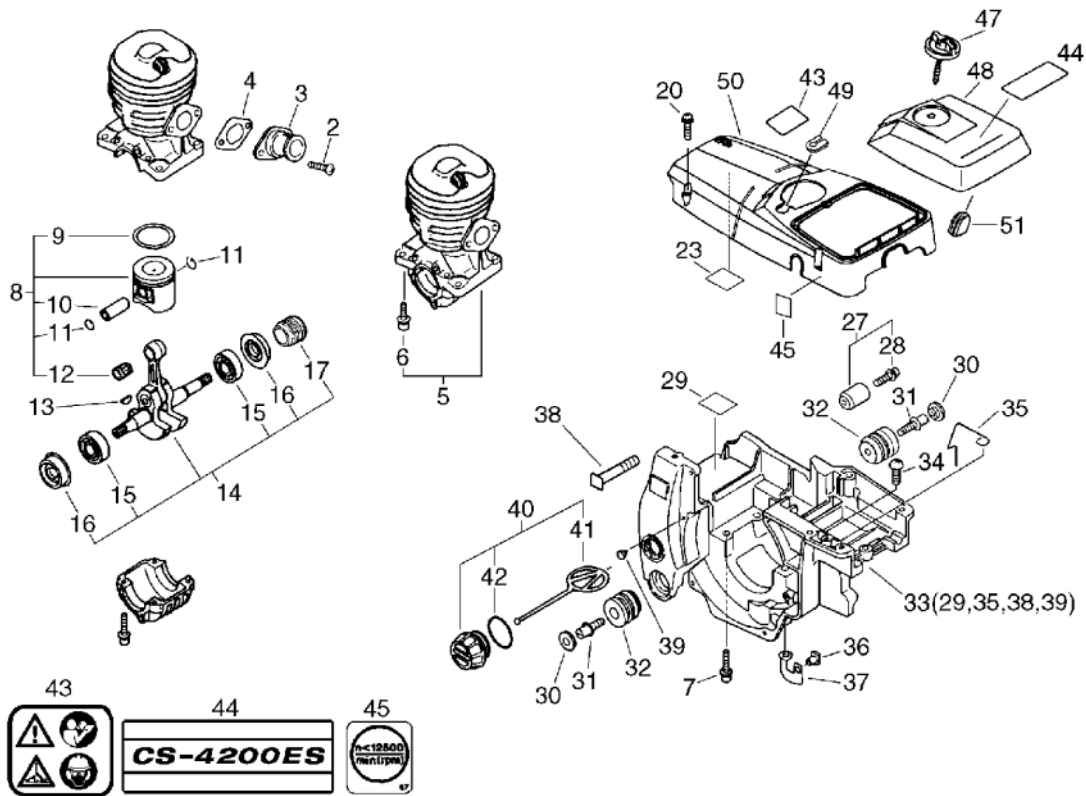
CHAIN SAW CS-4200ES(36)

1. Cylinder, Crankcase, Piston(Sr/Nr 36033993 and before)



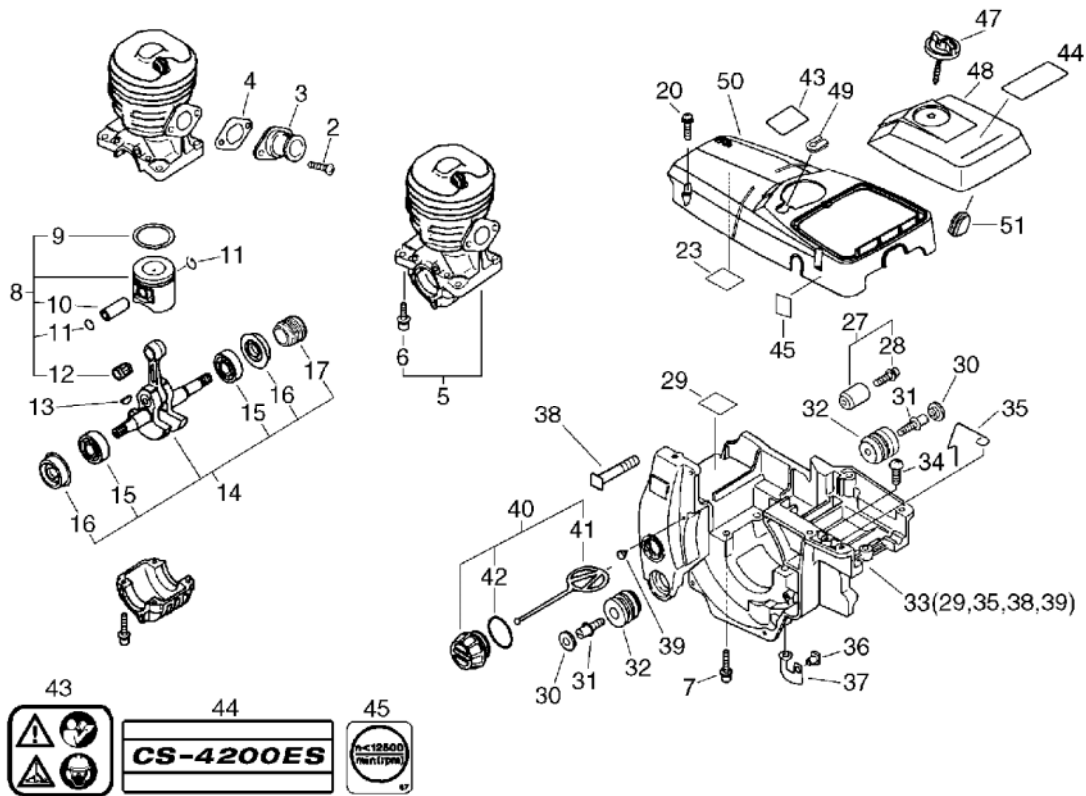
| KEY | LV | PART NUMBER | Q'TY | DESCRIPTION | REMARKS | NOTE1 | NOTE2 |
|-----|----|--------------|------|---------------------|-----------|---------------------|-------|
| 2 | | 900238-05012 | 2 | SCREW 5*12 | 5*12 | | |
| 3 | | 130510-39932 | 1 | ADAPTER, INTAKE | | | |
| 4 | | 130016-39930 | 1 | GASKET, INTAKE | | | |
| 5 | | P021-004131 | 1 | CRANKCASE SET | | | |
| 6 | + | 900162-05022 | 4 | BOLT, H.S. 5*22 | 5*22 W,SW | | |
| 7 | | 900162-05030 | 4 | BOLT, H.S. 5*30 | 5*30 W,SW | | |
| 8 | | 100000-59531 | 1 | PISTON KIT | | | |
| 9 | + | 100011-37330 | 1 | RING, PISTON | | | |
| 10 | + | 100013-35430 | 1 | PIN, PISTON | 6*9*27.8 | | |
| 11 | + | 100015-03931 | 2 | CIRCLIP, PISTON PIN | | | |
| 12 | + | 100012-35430 | 1 | BEARING, NEEDLE | 9*12*12 | | |
| 13 | | 100142-39130 | 1 | KEY, WOODRUFF | | | |
| 14 | | P021-007240 | 1 | CRANKSHAFT ASY | | | |
| 15 | + | 900888-36201 | 2 | BEARING, BALL 6201 | 6201 | | |
| 16 | + | V505-000010 | 2 | SEAL,OIL 12 | | | |
| 17 | + | 437063-38330 | 1 | GEAR, WORM | | | |
| 20 | | 163890-38330 | 3 | BOLT, 5 | | | |
| 23 | | 101520-35430 | 1 | COVER | | | |
| 27 | | 433000-60930 | 1 | CATCHER KIT, CHAIN | | | |
| 28 | + | 900253-05020 | 1 | SCREW 5*20 | 5*20 | | |
| 30 | | 100918-19830 | 2 | CAP, CUSHION | | | |
| 31 | | 100915-33930 | 2 | SCREW | | | |
| 32 | | 100910-60030 | 2 | CUSHION | | | |
| 33 | | P021-007180 | 1 | COVER, ENGINE | | Sus. by P021-007181 | |
| 33 | | P021-007181 | 1 | COVER, ENGINE | | | |

1. Cylinder, Crankcase, Piston(Sr/Nr 36033993 and before)



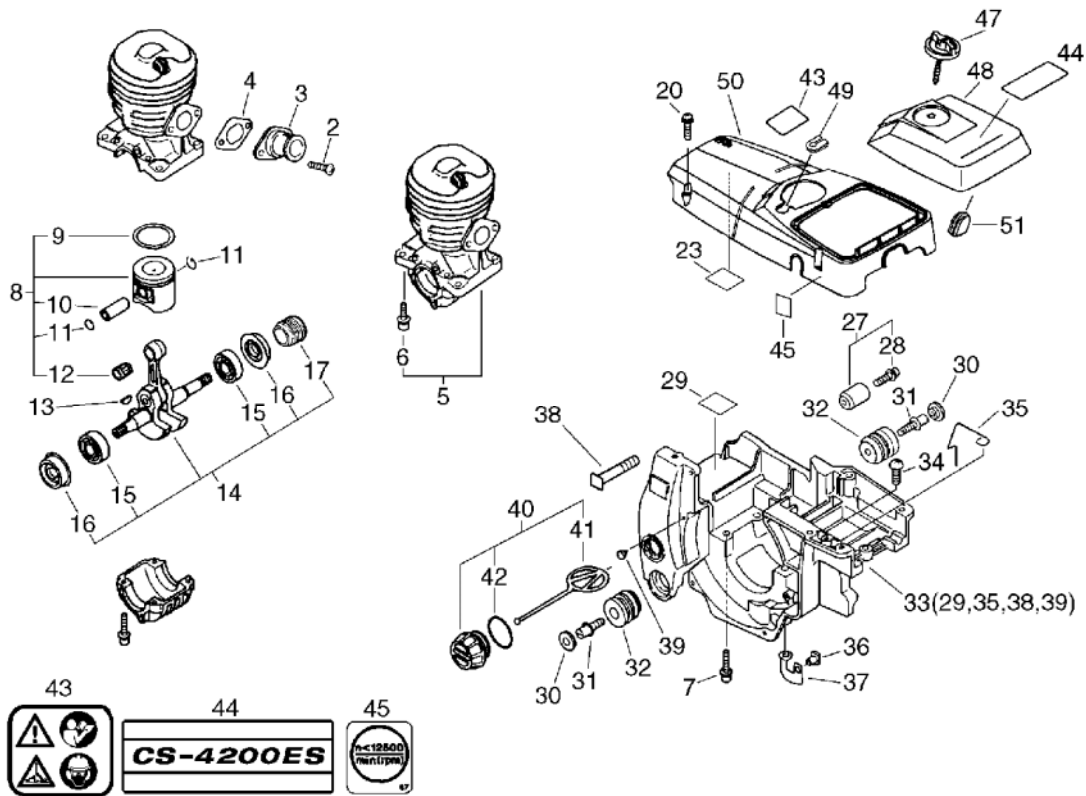
| KEY | LV | PART NUMBER | Q'TY | DESCRIPTION | REMARKS | NOTE1 | NOTE2 |
|-----|----|--------------|------|------------------|----------------|----------------------|-------|
| 29 | + | 101520-35430 | 1 | COVER | | | |
| 35 | + | 606416-60631 | 1 | WIRE | | | |
| 38 | + | 433011-19830 | 2 | STUD, GUIDE BAR | | | |
| 39 | + | 436114-13930 | 1 | VALVE, CHECK | | | |
| 34 | | 900253-04008 | 1 | SCREW 4*8 | 4*8 | | |
| 36 | | 130020-60630 | 2 | NUT 5 | | | |
| 37 | | 162011-60630 | 1 | PLATE, GROUND | | | |
| 40 | | 436001-65631 | 1 | CAP, OIL | | Sus. by 436001-39232 | |
| 40 | | 436001-39232 | 1 | CAP, OIL | | | |
| 41 | + | A365-000050 | 1 | CONNECTOR,CAP | | | |
| 42 | + | 900725-02025 | 1 | O-RING | JASO 2025 | Sus. by 900721-00025 | |
| 42 | + | 900721-00025 | 1 | O-RING 25 | G-25 | | |
| 43 | | 890345-39230 | 1 | LABEL,CAUTION | | | |
| 44 | | X503-006140 | 1 | LABEL,MODEL | CS-4200ES | Sus. by X503-006141 | |
| 44 | | X503-006141 | 1 | LABEL,MODEL | CSB4200 ES ST1 | | |
| 45 | | 890631-38130 | 1 | LABEL, CAUTION | | | |
| 47 | | A235-000020 | 1 | KNOB,CLEANER LID | | | |
| 48 | | A232-000020 | 1 | LID,CLEANER | | Sus. by A232-000021 | |
| 48 | | A232-000021 | 1 | LID,CLEANER | | Sus. by A232-000022 | |
| 49 | | V135-000010 | 1 | GROMMET,HT CORD | | | |

1. Cylinder, Crankcase, Piston(Sr/Nr 36033993 and before)



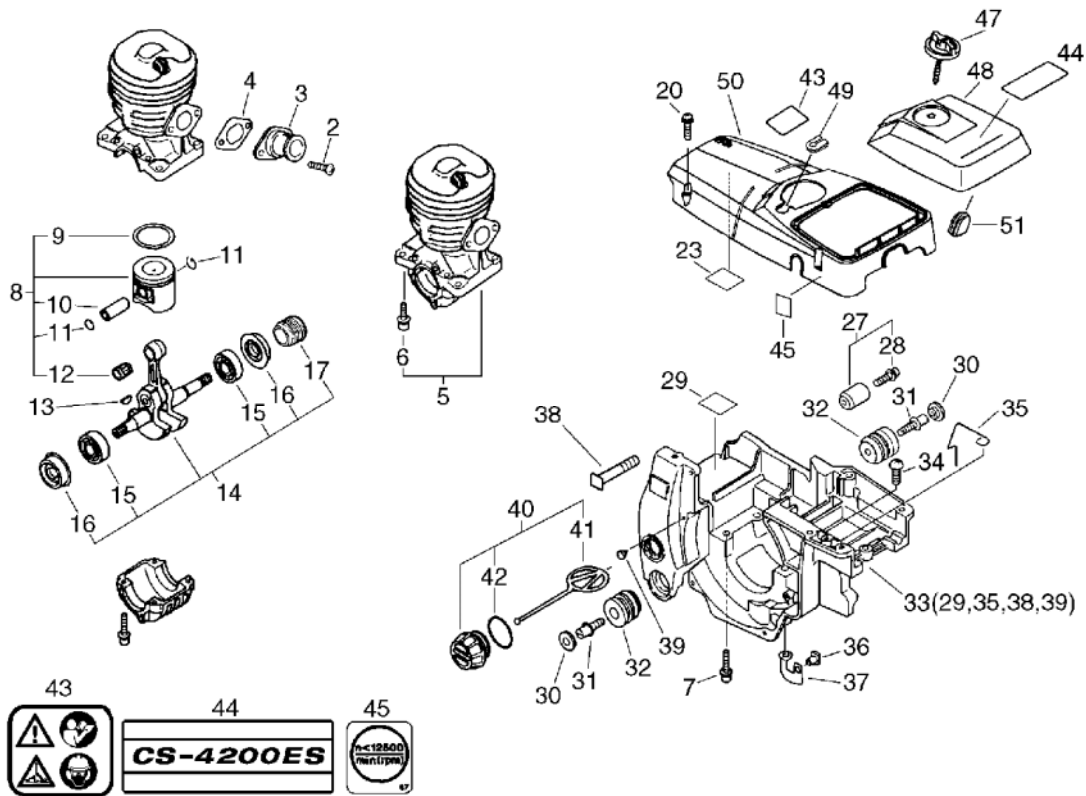
| KEY | LV | PART NUMBER | Q'TY | DESCRIPTION | REMARKS | NOTE1 | NOTE2 |
|-----|----|--------------|------|----------------|---------|-------|-------|
| 50 | | A160-000014 | 1 | COVER,CYLINDER | | | |
| 51 | | 130338-32430 | 1 | PLUG, COVER | | | |

2. Cylinder, Crankcase, Piston(Sr/Nr 36033994 and after)



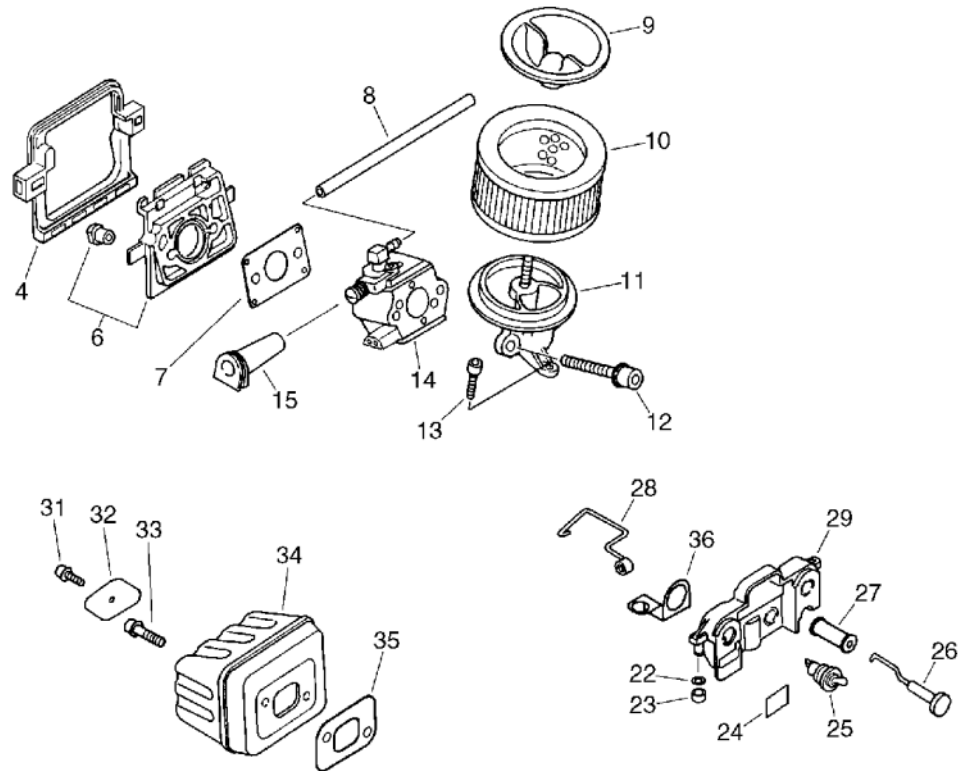
| KEY | LV | PART NUMBER | Q'TY | DESCRIPTION | REMARKS | NOTE1 | NOTE2 |
|-----|----|--------------|------|---------------------|-----------|-------|-------|
| 2 | | 900238-05012 | 2 | SCREW 5*12 | 5*12 | | |
| 3 | | 130510-39932 | 1 | ADAPTER, INTAKE | | | |
| 4 | | 130016-39930 | 1 | GASKET, INTAKE | | | |
| 5 | | P021-004131 | 1 | CRANKCASE SET | | | |
| 6 | + | 900162-05022 | 4 | BOLT, H.S. 5*22 | 5*22 W,SW | | |
| 7 | | 900162-05030 | 4 | BOLT, H.S. 5*30 | 5*30 W,SW | | |
| 8 | | 100000-59531 | 1 | PISTON KIT | | | |
| 9 | + | 100011-37330 | 1 | RING, PISTON | | | |
| 10 | + | 100013-35430 | 1 | PIN, PISTON | 6*9*27.8 | | |
| 11 | + | 100015-03931 | 2 | CIRCLIP, PISTON PIN | | | |
| 12 | + | 100012-35430 | 1 | BEARING, NEEDLE | 9*12*12 | | |
| 13 | | 100142-39130 | 1 | KEY, WOODRUFF | | | |
| 14 | | P021-007240 | 1 | CRANKSHAFT ASY | | | |
| 15 | + | 900888-36201 | 2 | BEARING, BALL 6201 | 6201 | | |
| 16 | + | V505-000010 | 2 | SEAL,OIL 12 | | | |
| 17 | + | 437063-38330 | 1 | GEAR, WORM | | | |
| 20 | | 163890-38330 | 3 | BOLT, 5 | | | |
| 23 | | 101520-35430 | 1 | COVER | | | |
| 27 | | 433000-60930 | 1 | CATCHER KIT, CHAIN | | | |
| 28 | + | 900253-05020 | 1 | SCREW 5*20 | 5*20 | | |
| 30 | | 100918-19830 | 2 | CAP, CUSHION | | | |
| 31 | | 100915-33930 | 2 | SCREW | | | |
| 32 | | 100910-60030 | 2 | CUSHION | | | |
| 33 | | P021-007180 | 1 | COVER, ENGINE | | | |
| 29 | + | 101520-35430 | 1 | COVER | | | |
| 35 | + | 606416-60631 | 1 | WIRE | | | |

2. Cylinder, Crankcase, Piston(Sr/Nr 36033994 and after)



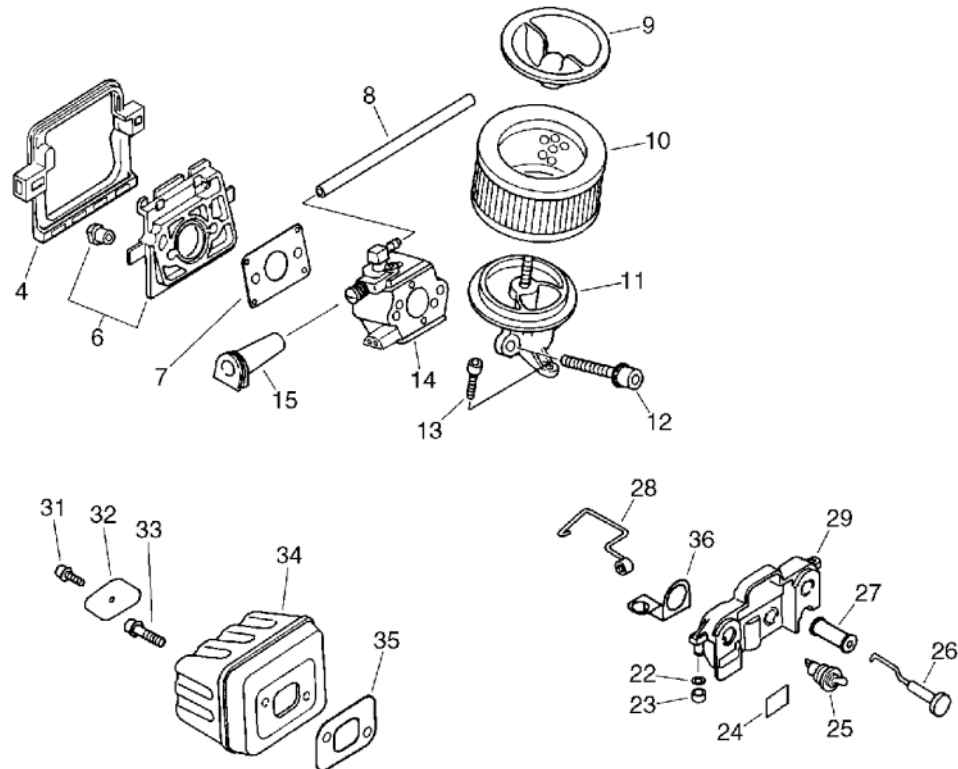
| KEY | LV | PART NUMBER | Q'TY | DESCRIPTION | REMARKS | NOTE1 | NOTE2 |
|-----|----|--------------|------|------------------|----------------|---------------------|-------|
| 38 | + | 433011-19830 | 2 | STUD, GUIDE BAR | | | |
| 39 | + | 436114-13930 | 1 | VALVE, CHECK | | | |
| 34 | | 900253-04008 | 1 | SCREW 4*8 | 4*8 | | |
| 36 | | 130020-60630 | 2 | NUT 5 | | | |
| 37 | | 162011-60630 | 1 | PLATE, GROUND | | | |
| 40 | | 436001-39232 | 1 | CAP, OIL | | | |
| 41 | + | A365-000050 | 1 | CONNECTOR,CAP | | | |
| 42 | + | 900721-00025 | 1 | O-RING 25 | G-25 | | |
| 43 | | 890345-39230 | 1 | LABEL,CAUTION | | | |
| 44 | | X503-006141 | 1 | LABEL,MODEL | CSB4200 ES ST1 | | |
| 45 | | 890631-38130 | 1 | LABEL, CAUTION | | | |
| 47 | | A235-000020 | 1 | KNOB,CLEANER LID | | | |
| 48 | | A232-000021 | 1 | LID,CLEANER | | Sus. by A232-000022 | |
| 48 | | A232-000022 | 1 | LID,CLEANER | | Sus. by A232-000023 | |
| 48 | | A232-000023 | 1 | LID,CLEANER | | | |
| 49 | | V135-000010 | 1 | GROMMET,HT CORD | | | |
| 50 | | A160-000015 | 1 | COVER,CYLINDER | | | |
| 51 | | 130338-32430 | 1 | PLUG, COVER | | | |

3. Air Cleaner, Muffler(Sr/Nr 36033993 and before)



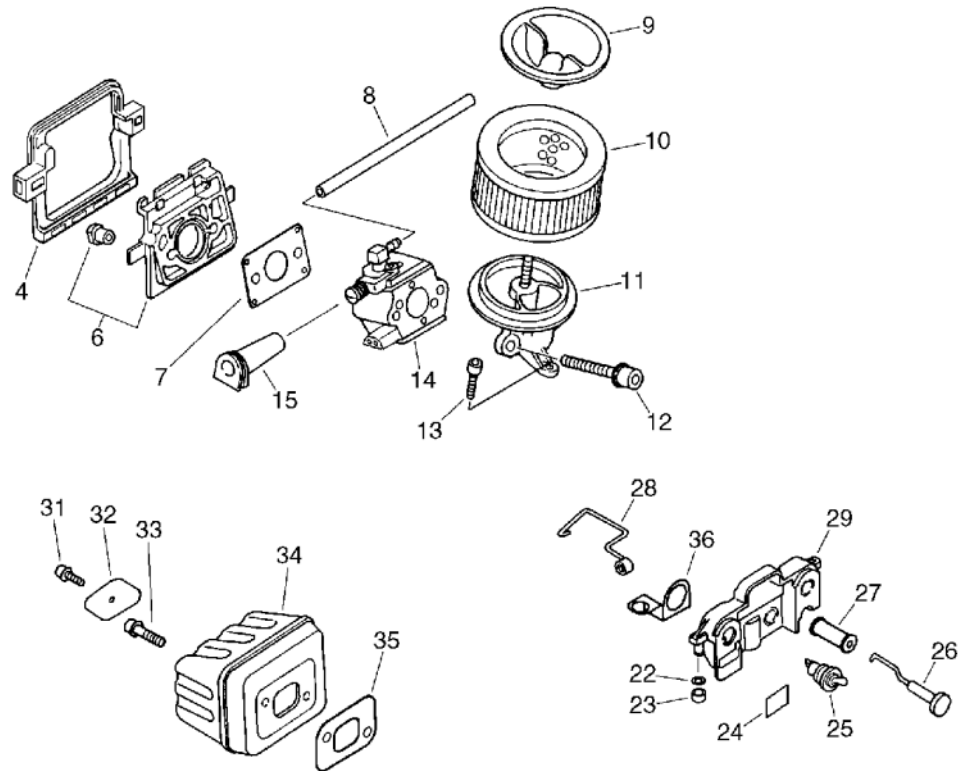
| KEY | LV | PART NUMBER | Q'TY | DESCRIPTION | REMARKS | NOTE1 | NOTE2 |
|-----|----|--------------|------|----------------------|-------------|----------------------|-------|
| 4 | | 130366-39930 | 1 | CUSHION | | | |
| 6 | | 130007-39931 | 1 | INSULATOR | | | |
| 7 | | 130010-38330 | 1 | GASKET, INTAKE | | | |
| 8 | | 130110-54430 | 1 | PIPE, IMPULSE | 3*6*105 NBR | | |
| 9 | | 130405-38331 | 1 | BRACKET, AIR CLEANER | | Sus. by 130405-38332 | |
| 10 | | 130300-39730 | 1 | CLEANER ASM., AIR | | | |
| 11 | | 130301-39931 | 1 | ADAPTER, INTAKE | | Sus. by 130301-39933 | |
| 11 | | 130301-39932 | 1 | ADAPTER, INTAKE | | Sus. by 130301-39933 | |
| 11 | | 130301-39933 | 1 | ADAPTER, INTAKE | ID #1230 | | |
| 12 | | 900162-05050 | 2 | BOLT, H.S. 5*50 | 5*50 W,SW | | |
| 13 | | 900253-05016 | 1 | SCREW | 5*16 | | |
| 14 | | A021-000220 | 1 | CARBURETOR,DIAPHRAGM | WT-594 | | |
| 15 | | 129023-39930 | 1 | GROMMET, IDLE | | | |
| 22 | | 900600-00005 | 2 | WASHER 5 | 5 | | |
| 23 | | 351134-39930 | 2 | CUSHION | | | |
| 24 | | 890157-39130 | 1 | LABEL, SWITCH | | | |
| 25 | | 163400-35430 | 1 | SWITCH, IGNITION | | | |
| 26 | | 178510-38331 | 1 | ROD, CHOKE | | Sus. by A241-000100 | |
| 26 | | A241-000100 | 1 | KNOB, CHOKE | | | |
| 27 | | 178810-14532 | 1 | GROMMET | | Sus. by 178810-14534 | |

3. Air Cleaner, Muffler(Sr/Nr 36033993 and before)



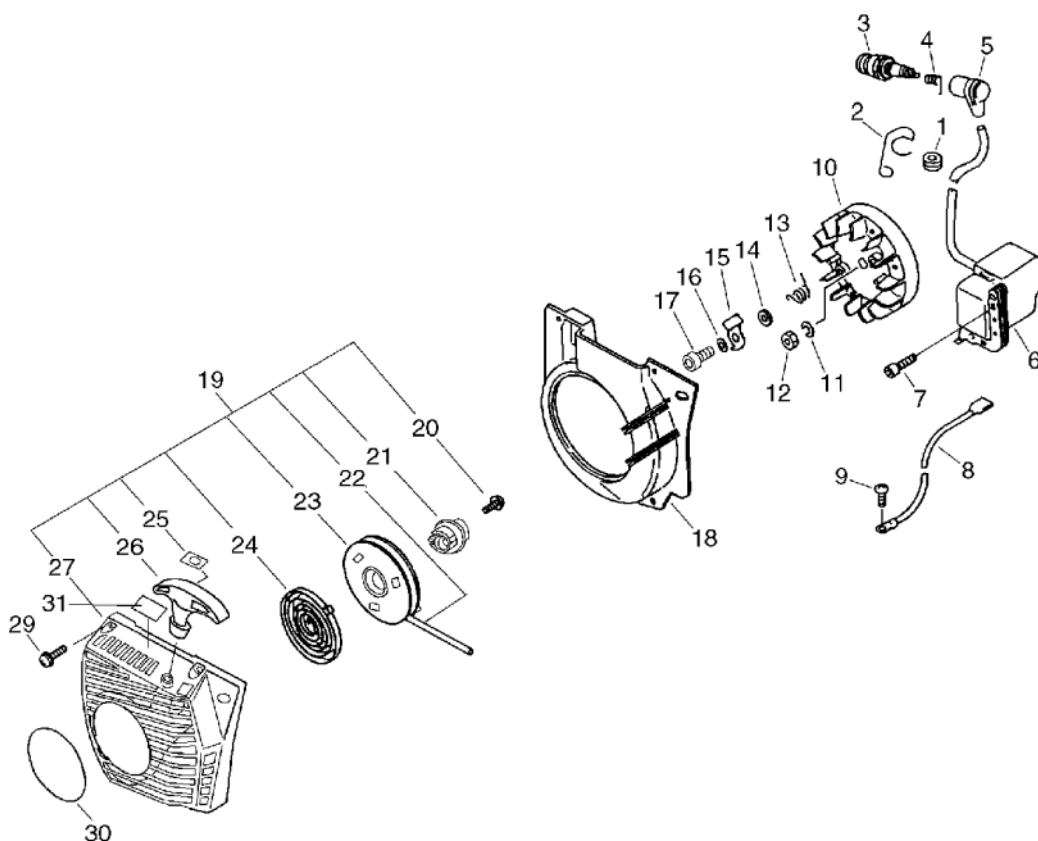
| KEY | LV | PART NUMBER | Q'TY | DESCRIPTION | REMARKS | NOTE1 | NOTE2 |
|-----|----|--------------|------|-----------------|---------|----------------------|-------|
| 27 | | 178810-14533 | 1 | GROMMET | | Sus. by 178810-14534 | |
| 27 | | 178810-14534 | 1 | GROMMET | | | |
| 28 | | C454-000011 | 1 | ROD,THROTTLE | | Sus. by C454-000012 | |
| 28 | | C454-000012 | 1 | ROD,THROTTLE | | | |
| 29 | | 163810-59532 | 1 | BRACKET, SWITCH | | Sus. by 163810-59535 | |
| 29 | | 163810-59533 | 1 | BRACKET, SWITCH | | Sus. by 163810-59535 | |
| 29 | | 163810-59534 | 1 | BRACKET, SWITCH | | Sus. by 163810-59535 | |
| 29 | | 163810-59535 | 1 | BRACKET, SWITCH | | | |
| 31 | | 900105-04006 | 1 | BOLT, H.S. 4*6 | 4*6 | | |
| 32 | | 145711-60631 | 1 | STAY, MUFFLER | | | |
| 33 | | 900105-05014 | 2 | BOLT, H.S. 5*14 | 5*14 | | |
| 34 | | 145610-39930 | 1 | MUFFLER | | | |
| 35 | | 145510-35431 | 1 | GASKET, MUFFLER | | | |
| 36 | | 163413-59530 | 1 | PLATE, CONTACT | | | |

4. Air Cleaner, Muffler(Sr/Nr 36033994 and after)



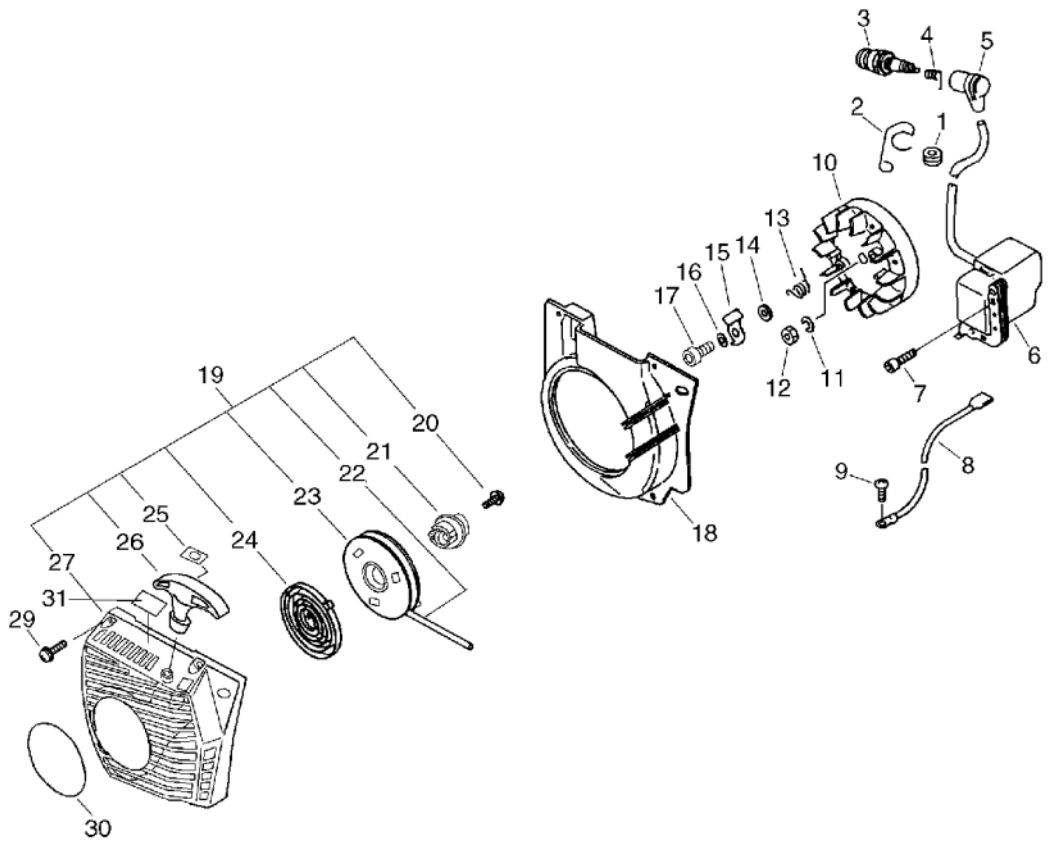
| KEY | LV | PART NUMBER | Q'TY | DESCRIPTION | REMARKS | NOTE1 | NOTE2 |
|-----|----|--------------|------|----------------------|-------------|-------|-------|
| 4 | | 130366-39930 | 1 | CUSHION | | | |
| 6 | | 130007-39931 | 1 | INSULATOR | | | |
| 7 | | 130010-38330 | 1 | GASKET, INTAKE | | | |
| 8 | | 130110-54430 | 1 | PIPE, IMPULSE | 3*6*105 NBR | | |
| 9 | | 130405-38332 | 1 | BRACKET, AIR CLEANER | | | |
| 10 | | 130300-39730 | 1 | CLEANER ASM., AIR | | | |
| 11 | | 130301-39935 | 1 | ADAPTER, INTAKE | ID #1230 | | |
| 12 | | 900162-05050 | 2 | BOLT, H.S. 5*50 | 5*50 W,SW | | |
| 13 | | 900253-05016 | 1 | SCREW | 5*16 | | |
| 14 | | A021-000220 | 1 | CARBURETOR,DIAPHRAGM | WT-594 | | |
| 15 | | 129023-39930 | 1 | GROMMET, IDLE | | | |
| 22 | | 900600-00005 | 2 | WASHER 5 | 5 | | |
| 23 | | 351134-39930 | 2 | CUSHION | | | |
| 24 | | 890157-39130 | 1 | LABEL, SWITCH | | | |
| 25 | | 163400-35430 | 1 | SWITCH, IGNITION | | | |
| 26 | | A241-000100 | 1 | KNOB, CHOKE | | | |
| 27 | | 178810-14534 | 1 | GROMMET | | | |
| 28 | | C454-000012 | 1 | ROD,THROTTLE | | | |
| 29 | | 163810-59535 | 1 | BRACKET, SWITCH | | | |
| 31 | | 900105-04006 | 1 | BOLT, H.S. 4*6 | 4*6 | | |
| 32 | | 145711-60631 | 1 | STAY, MUFFLER | | | |
| 33 | | 900105-05014 | 2 | BOLT, H.S. 5*14 | 5*14 | | |
| 34 | | 145610-39930 | 1 | MUFFLER | | | |
| 35 | | 145510-35431 | 1 | GASKET, MUFFLER | | | |
| 36 | | 163413-59530 | 1 | PLATE, CONTACT | | | |

5. Starter, Magneto(Sr/Nr 36033993 and before)



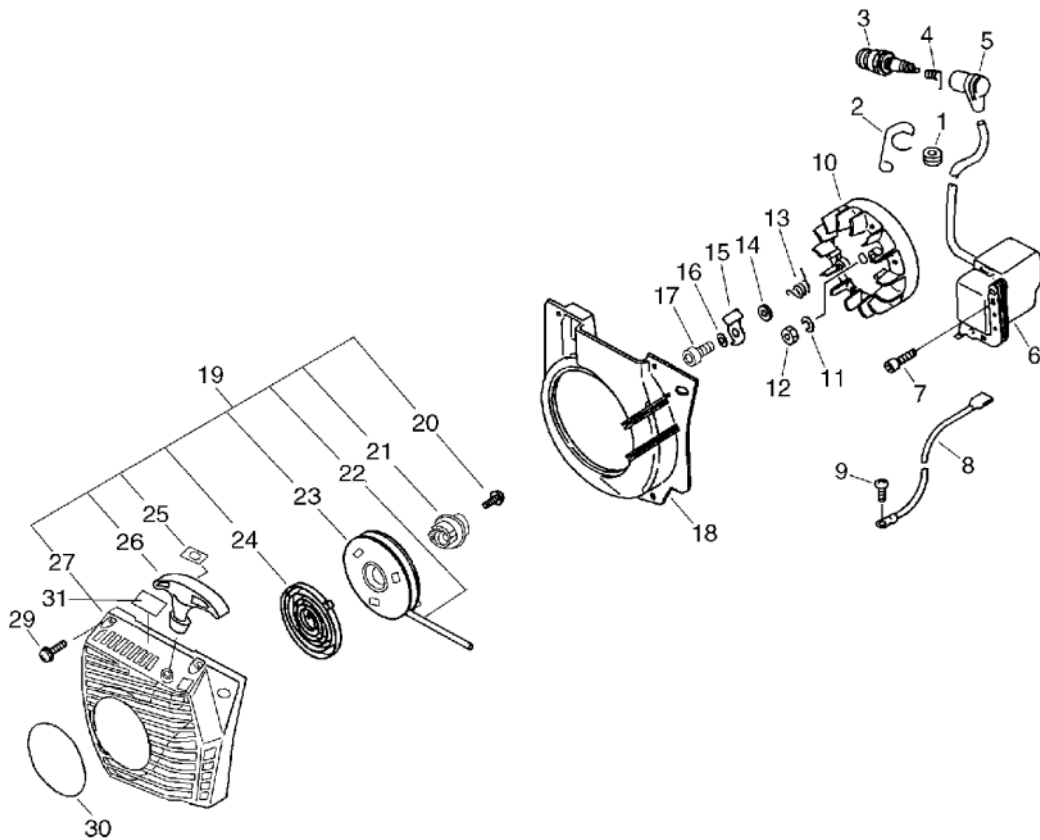
| KEY | LV | PART NUMBER | Q'TY | DESCRIPTION | REMARKS | NOTE1 | NOTE2 |
|-----|----|--------------|------|-----------------------|------------|----------------------|-------|
| 1 | | 151112-04630 | 1 | BUSHING | | | |
| 2 | | 159118-39930 | 1 | GUIDE, CORD | | | |
| 3 | | 159017-31730 | 1 | PLUG, SPARK RCJ-6Y | RCJ-6Y | Sus. by 159010-10230 | |
| 3 | | 159010-10230 | 1 | PLUG, SPARK (BPMR-7A) | BPMR-7A | | |
| 4 | | A426-000010 | 1 | TERMINAL, SPARK PLUG | | | |
| 5 | | A427-000011 | 1 | CAP, SPARK PLUG | | Sus. by A427-000012 | |
| 5 | | A427-000012 | 1 | CAP, SPARK PLUG | | | |
| 6 | | 156626-60630 | 1 | COIL, IGNITION | EMG-44 | | |
| 7 | | 900162-05022 | 2 | BOLT, H.S. 5*22 | 5*22 W, SW | | |
| 8 | | 156630-39930 | 1 | LEAD, GROUND | | | |
| 9 | | 900216-04006 | 1 | SCREW | 4*6 | | |
| 10 | | 156801-60630 | 1 | FLYWHEEL | EGM-44 | | |
| 11 | | 900605-00008 | 1 | WASHER, SPRING 8 | 8 | | |
| 12 | | 900500-00008 | 1 | NUT 8 | 8*P1.25 | | |
| 13 | | 177234-35430 | 2 | SPRING, RETURN | | | |
| 14 | | 177247-04630 | 2 | SPACER, RATCHET | 5.2*8*2.1 | | |
| 15 | | 177218-35430 | 2 | PAWL, STARTER | | | |
| 16 | | 900603-00005 | 2 | WASHER 5 | 5.5*12*0.8 | | |
| 17 | | 900105-05014 | 2 | BOLT, H.S. 5*14 | 5*14 | Sus. by V203-000090 | |
| 17 | | V203-000090 | 2 | BOLT, 5 | M5*14 | | |
| 18 | | 101535-39932 | 1 | COVER, FAN | | | |
| 19 | | A051-000581 | 1 | STARTER, RECOIL | | | |
| 20 | + | P022-004630 | 1 | SCREW | | | |

5. Starter, Magneto(Sr/Nr 36033993 and before)



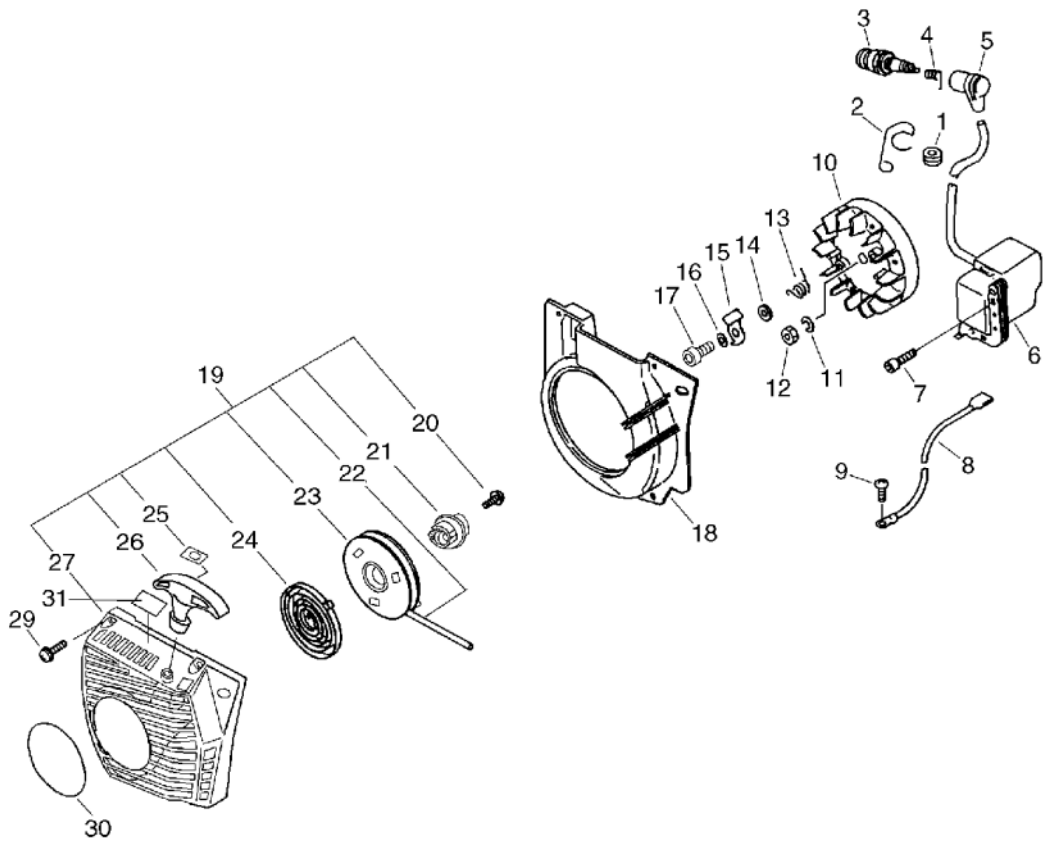
| KEY | LV | PART NUMBER | Q'TY | DESCRIPTION | REMARKS | NOTE1 | NOTE2 |
|-----|----|--------------|------|--------------------|----------------|----------------------|-------|
| 21 | + | A507-000010 | 1 | CATCHER,PAWL | | | |
| 22 | + | P022-006230 | 1 | ROPE | | | |
| 23 | + | P022-006240 | 1 | REEL COMP | | | |
| 24 | + | P022-006250 | 1 | SPRING, SPIRAL | | | |
| 25 | + | 177246-11120 | 1 | CLIP, STARTER ROPE | | | |
| 26 | + | P022-001320 | 1 | GRIP, STARTER | | | |
| 27 | + | A500-000151 | 1 | CASE, STARTER | | | |
| 29 | | 900238-04016 | 4 | SCREW 4*16 | 4*16 | | |
| 30 | | X502-000120 | 1 | LABEL, ECHO | ES ECHO ₹156.5 | Sus. by 890118-49330 | |
| 30 | | 890118-49330 | 1 | LABEL, ECHO | | | |

6. Starter, Magneto(Sr/Nr 36033994 and after)



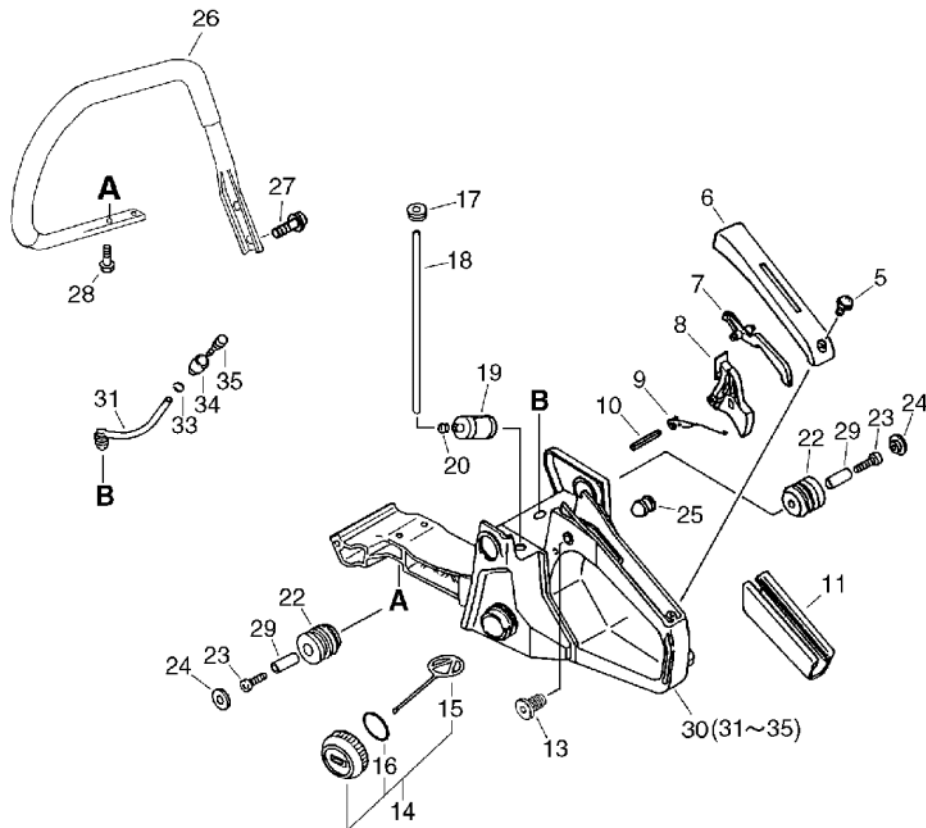
| KEY | LV | PART NUMBER | Q'TY | DESCRIPTION | REMARKS | NOTE1 | NOTE2 |
|-----|----|--------------|------|-----------------------|------------|-------|-------|
| 1 | | 151112-04630 | 1 | BUSHING | | | |
| 2 | | 159118-39930 | 1 | GUIDE, CORD | | | |
| 3 | | 159010-10230 | 1 | PLUG, SPARK (BPMR-7A) | BPMR-7A | | |
| 4 | | A426-000010 | 1 | TERMINAL, SPARK PLUG | | | |
| 5 | | A427-000012 | 1 | CAP, SPARK PLUG | | | |
| 6 | | 156626-60630 | 1 | COIL, IGNITION | EMG-44 | | |
| 7 | | 900162-05022 | 2 | BOLT, H.S. 5*22 | 5*22 W, SW | | |
| 8 | | 156630-39930 | 1 | LEAD, GROUND | | | |
| 9 | | 900216-04006 | 1 | SCREW | 4*6 | | |
| 10 | | 156801-60630 | 1 | FLYWHEEL | EGM-44 | | |
| 11 | | 900605-00008 | 1 | WASHER, SPRING 8 | 8 | | |
| 12 | | 900500-00008 | 1 | NUT 8 | 8*P1.25 | | |
| 13 | | 177234-35430 | 2 | SPRING, RETURN | | | |
| 14 | | 177247-04630 | 2 | SPACER, RATCHET | 5.2*8*2.1 | | |
| 15 | | 177218-35430 | 2 | PAWL, STARTER | | | |
| 16 | | 900603-00005 | 2 | WASHER 5 | 5.5*12*0.8 | | |
| 17 | | V203-000090 | 2 | BOLT, 5 | M5*14 | | |
| 18 | | 101535-39933 | 1 | COVER, FAN | | | |
| 19 | | A051-000581 | 1 | STARTER, RECOIL | | | |
| 20 | + | P022-004630 | 1 | SCREW | | | |
| 21 | + | A507-000010 | 1 | CATCHER, PAWL | | | |
| 22 | + | P022-006230 | 1 | ROPE | | | |
| 23 | + | P022-006240 | 1 | REEL COMP | | | |
| 24 | + | P022-006250 | 1 | SPRING, SPIRAL | | | |
| 25 | + | 177246-11120 | 1 | CLIP, STARTER ROPE | | | |
| 26 | + | P022-001320 | 1 | GRIP, STARTER | | | |

6. Starter, Magneto(Sr/Nr 36033994 and after)



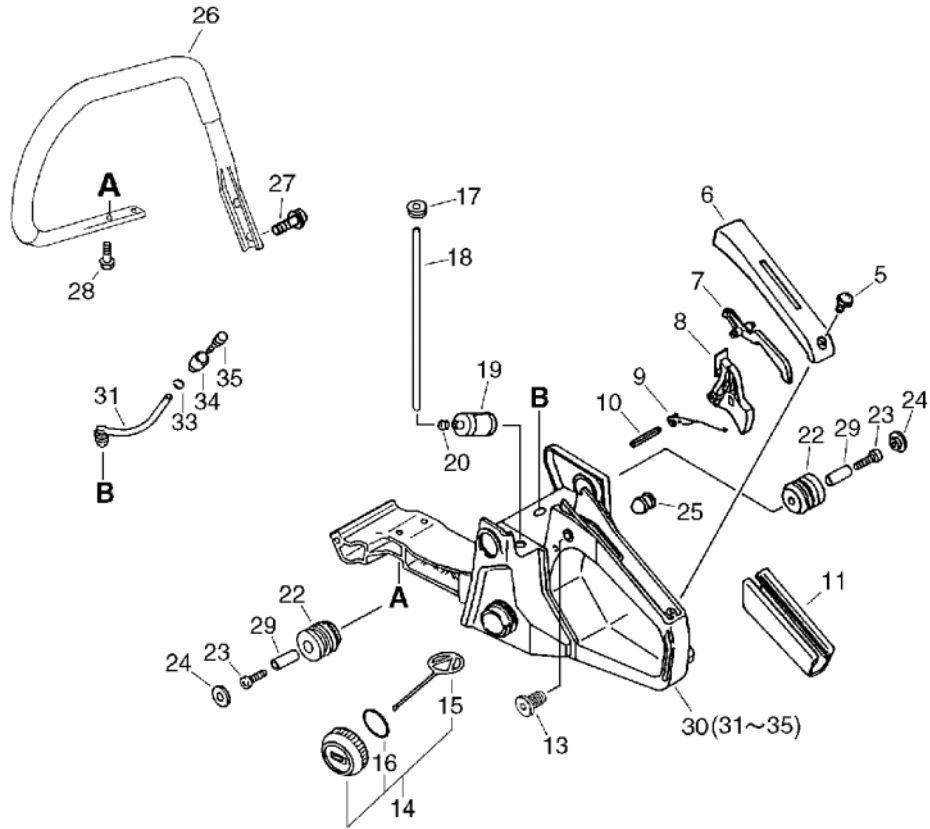
| KEY | LV | PART NUMBER | Q'TY | DESCRIPTION | REMARKS | NOTE1 | NOTE2 |
|-----|----|--------------|------|-------------------|---------|-------|-------|
| 27 | + | A500-000151 | 1 | CASE,STARTER | | | |
| 29 | | 900238-04016 | 4 | SCREW 4*16 | 4*16 | | |
| 30 | | 890118-49330 | 1 | LABEL, ECHO | | | |
| 31 | | X530-000210 | 1 | LABEL,EYE CATCHER | | | |

7. Handle(Sr/Nr 36033993 and before)



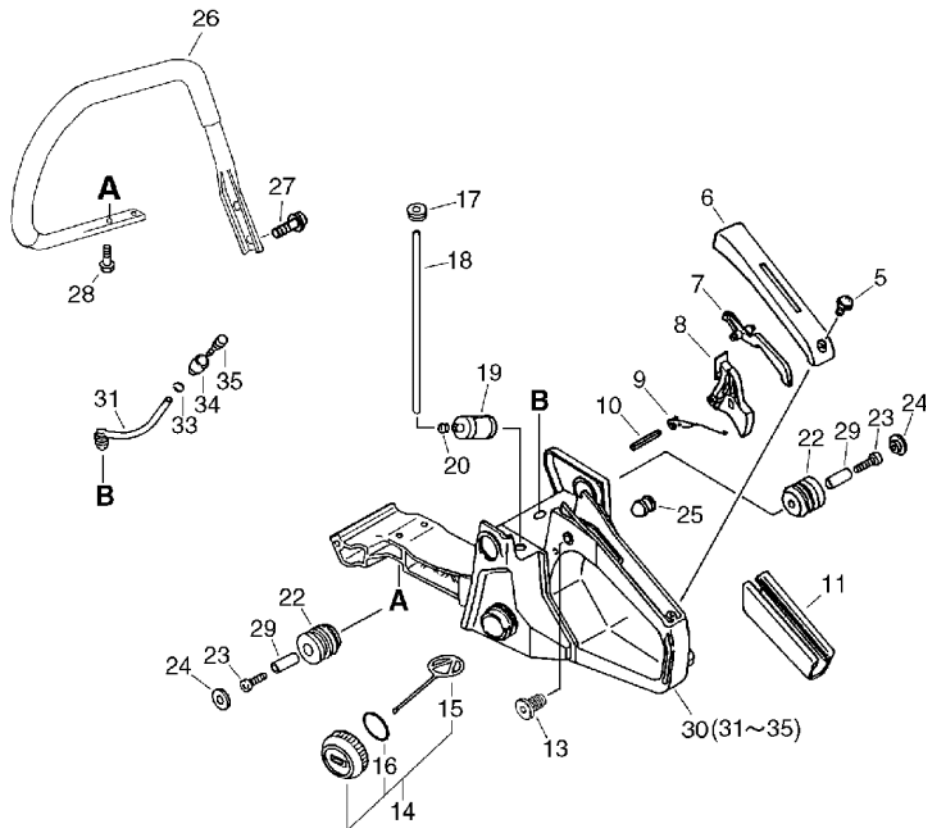
| KEY | LV | PART NUMBER | Q'TY | DESCRIPTION | REMARKS | NOTE1 | NOTE2 |
|-----|----|--------------|------|---------------------|----------|----------------------|-------|
| 5 | | 900253-04014 | 1 | SCREW 4*14 | 4*14 | | |
| 6 | | 351155-35430 | 1 | COVER, HANDLE (BL) | | | |
| 7 | | 178090-37930 | 1 | LOCKOUT, T. CONTROL | | | |
| 8 | | C450-000000 | 1 | TRIGGER, THROTTLE | | | |
| 9 | | 178043-35430 | 1 | SPRING, THR.RETURN | | | |
| 10 | | 900345-40030 | 1 | PIN, SPRING 4*30SUS | 4*30SUS | | |
| 11 | | 351111-19830 | 1 | GRIP, HANDLE | | | |
| 13 | | V162-000040 | 1 | PLUG | | | |
| 14 | | 131004-37932 | 1 | CAP ASY, FUEL | | | |
| 15 | + | A365-000050 | 1 | CONNECTOR,CAP | | | |
| 16 | + | 900720-00022 | 1 | O-RING 22 | P-22 | | |
| 17 | | 132115-04920 | 1 | GROMMET | | | |
| 18 | | 132010-00760 | 1 | PIPE, FUEL | 3*5*250L | | |
| 19 | | 131205-19830 | 1 | STRAINER, FUEL | | | |
| 20 | | 132013-09820 | 1 | CLIP | 6MM | | |
| 22 | | 100910-19730 | 2 | CUSHION | | | |
| 23 | | 900105-04020 | 2 | BOLT, H.S. 4*20 | 4*20 | | |
| 24 | | 100918-19830 | 2 | CAP, CUSHION | | | |
| 25 | | 100252-39930 | 2 | CUSHION | | | |
| 26 | | C400-000190 | 1 | HANDLE, FRONT | | | |
| 27 | | 91145-05020 | 2 | BOLT HS TAPPING | 5*20 | | |
| 28 | | 91145-05016 | 2 | BOLT HS TAPPING | 5*16 | | |
| 29 | | 100915-15131 | 2 | SUPPORTER, CUSHION | | | |
| 30 | | 351103-39933 | 1 | HANDLE, REAR | | Sus. by 351103-39934 | |
| 30 | | 351103-39934 | 1 | HANDLE, REAR | | | |

7. Handle(Sr/Nr 36033993 and before)



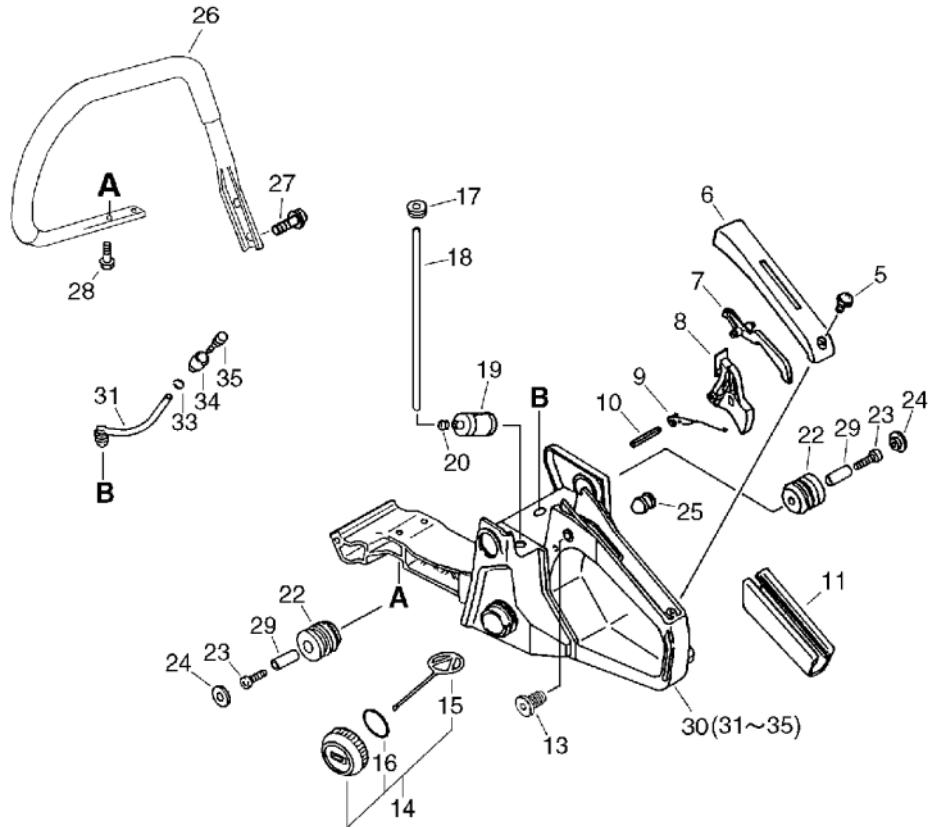
| KEY | LV | PART NUMBER | Q'TY | DESCRIPTION | REMARKS | NOTE1 | NOTE2 |
|-----|----|--------------|------|-----------------|---------|----------------------|-------|
| 31 | + | 132012-39930 | 1 | PIPE, W/GROMMET | L65 NBR | Sus. by 132012-39931 | |
| 33 | + | 132013-26630 | 1 | CLIP | 6.5MM | | |
| 34 | + | 131328-40630 | 1 | COVER, VENT | | | |
| 35 | + | 131300-56430 | 1 | VALVE, CHECK | | | |

8. Handle(Sr/Nr 36033994 and after)



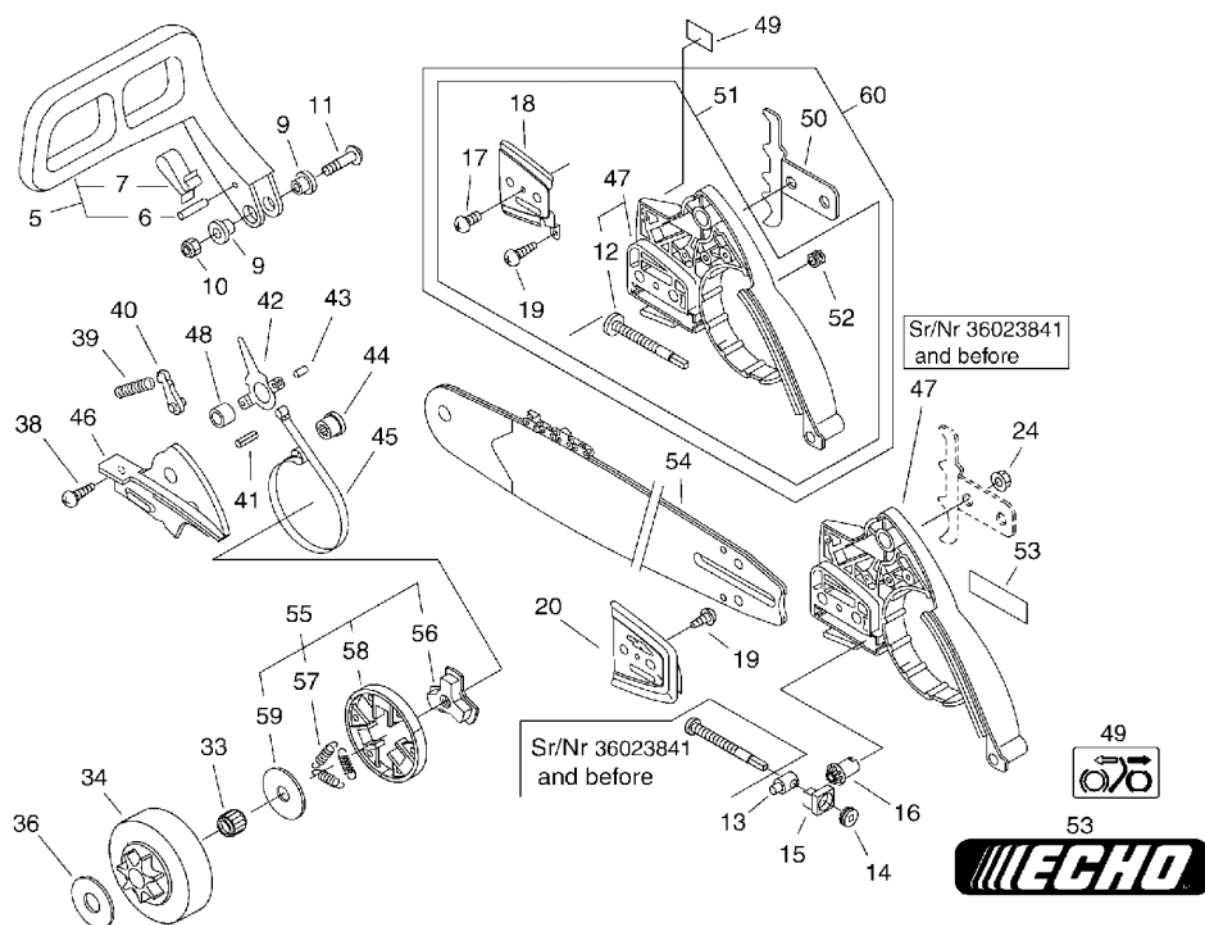
| KEY | LV | PART NUMBER | Q'TY | DESCRIPTION | REMARKS | NOTE1 | NOTE2 |
|-----|----|--------------|------|---------------------|----------|---------------------|-------|
| 5 | | 900253-04014 | 1 | SCREW 4*14 | 4*14 | | |
| 6 | | 351155-35430 | 1 | COVER, HANDLE (BL) | | | |
| 7 | | 178090-37930 | 1 | LOCKOUT, T. CONTROL | | | |
| 8 | | C450-000000 | 1 | TRIGGER, THROTTLE | | | |
| 9 | | 178043-35430 | 1 | SPRING, THR.RETURN | | | |
| 10 | | 900345-40030 | 1 | PIN, SPRING 4*30SUS | 4*30SUS | | |
| 11 | | 351111-19830 | 1 | GRIP, HANDLE | | | |
| 13 | | V162-000040 | 1 | PLUG | | | |
| 14 | | 131004-37932 | 1 | CAP ASY, FUEL | | | |
| 15 | + | A365-000050 | 1 | CONNECTOR,CAP | | | |
| 16 | + | 900720-00022 | 1 | O-RING 22 | P-22 | | |
| 17 | | 132115-04920 | 1 | GROMMET | | | |
| 18 | | 132010-00760 | 1 | PIPE, FUEL | 3*5*250L | | |
| 19 | | 131205-19830 | 1 | STRAINER, FUEL | | | |
| 20 | | 132013-09820 | 1 | CLIP | 6MM | | |
| 22 | | 100910-19730 | 2 | CUSHION | | | |
| 23 | | 900105-04020 | 2 | BOLT, H.S. 4*20 | 4*20 | | |
| 24 | | 100918-19830 | 2 | CAP, CUSHION | | | |
| 25 | | 100252-39930 | 2 | CUSHION | | | |
| 26 | | C400-000190 | 1 | HANDLE, FRONT | | | |
| 27 | | 91145-05020 | 2 | BOLT HS TAPPING | 5*20 | | |
| 28 | | 91145-05016 | 2 | BOLT HS TAPPING | 5*16 | | |
| 29 | | 100915-15131 | 2 | SUPPORTER, CUSHION | | | |
| 30 | | 351103-39934 | 1 | HANDLE, REAR | | Sus. by P021-013410 | |
| 30 | | P021-013410 | 1 | HANDLE, REAR | | | |

8. Handle(Sr/Nr 36033994 and after)



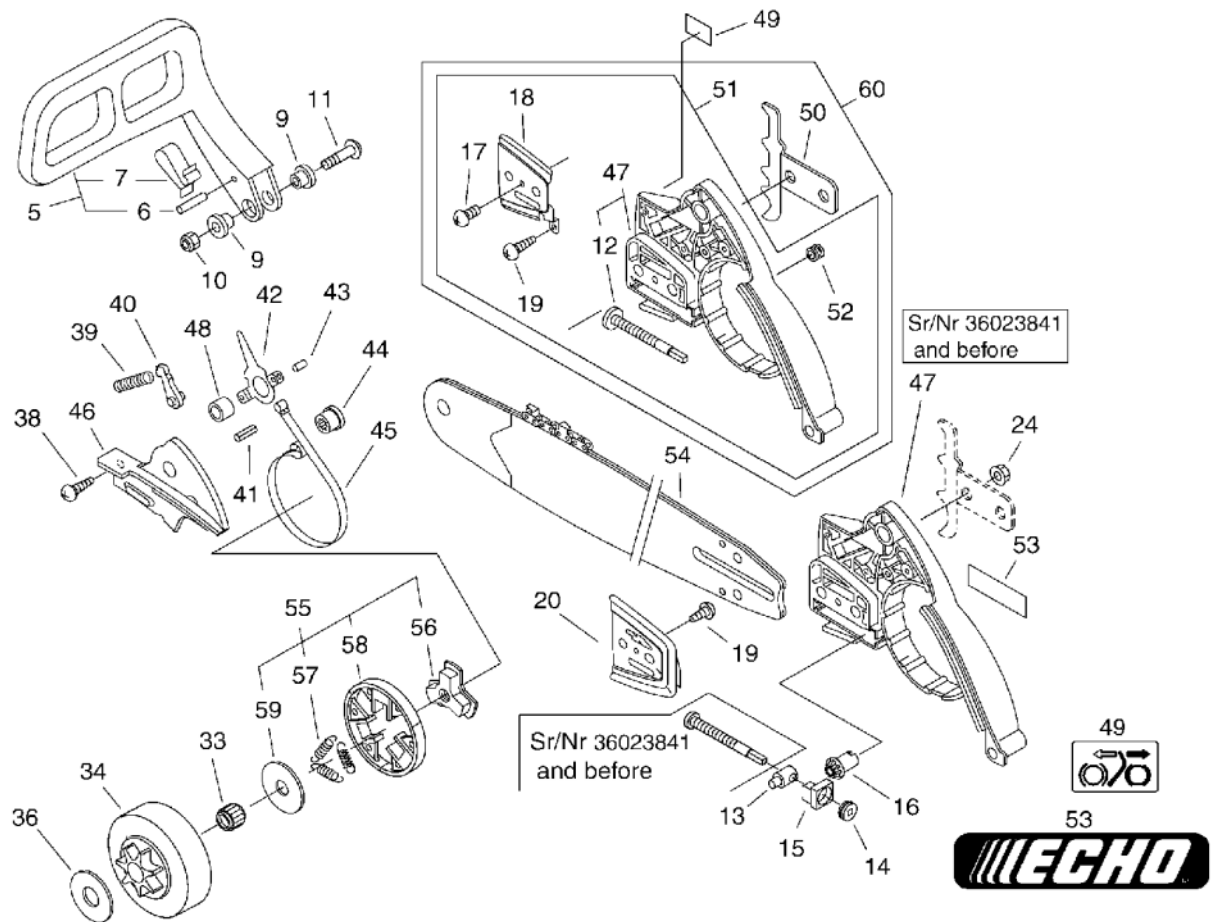
| KEY | LV | PART NUMBER | Q'TY | DESCRIPTION | REMARKS | NOTE1 | NOTE2 |
|-----|----|--------------|------|-----------------|---------|----------------------|-------|
| 31 | + | 132012-39930 | 1 | PIPE, W/GROMMET | L65 NBR | Sus. by 132012-39931 | |
| 31 | + | 132012-39931 | 1 | PIPE | 3*6*65 | | |
| 33 | + | 132013-26630 | 1 | CLIP | 6.5MM | | |
| 34 | + | 131328-40630 | 1 | COVER, VENT | | | |
| 35 | + | 131300-56430 | 1 | VALVE, CHECK | | | |

9. Clutch, Sprocket



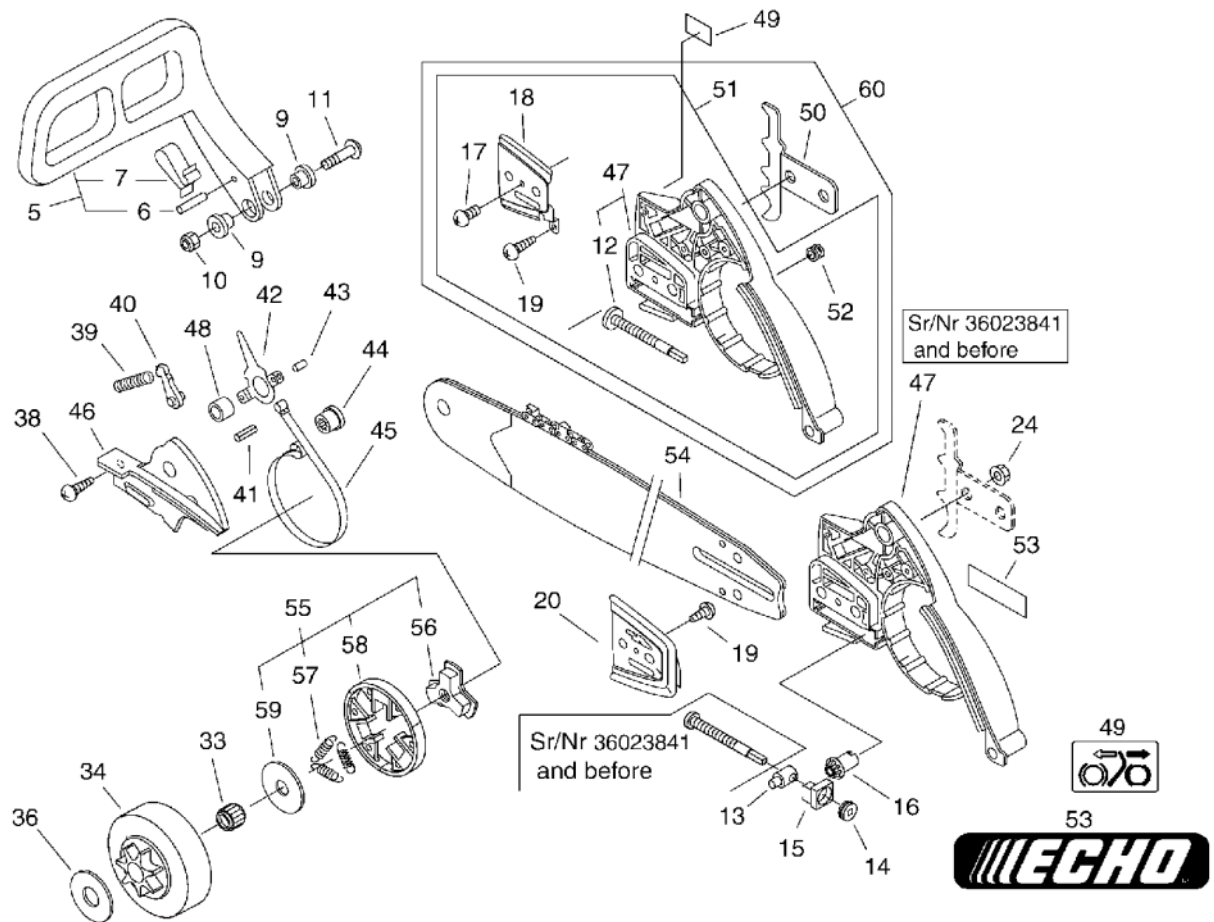
| KEY | LV | PART NUMBER | Q'TY | DESCRIPTION | REMARKS | NOTE1 | NOTE2 |
|-----|----|--------------|------|--------------------|---------|---------------------------|-------|
| 5 | | 433105-60030 | 1 | LEVER, BRAKE | | | |
| 6 | + | 900330-30240 | 1 | PIN 3*24 | 3*23.8 | | |
| 7 | + | 433114-38331 | 1 | SPRING | | | |
| 9 | | 433167-39130 | 2 | SPACER | | | |
| 10 | | 900560-00005 | 1 | NUT, LOCK 5 | 5 | Sus. by 900562-50005 | |
| 10 | | 900562-50005 | 1 | LOCKNUT 5 | 5 | | |
| 11 | | 91318-05032 | 1 | SCREW | 5*32 | | |
| 12 | | V203-000041 | 1 | BOLT,5 | | Sr/Nr 36023841 and before | |
| 13 | | C309-000030 | 1 | TENSIONER,CHAIN | | | |
| 14 | | V651-000011 | 1 | GEAR,BEVEL | | | |
| 15 | | V355-000270 | 1 | COLLAR,8 | | | |
| 16 | | V651-000001 | 1 | GEAR,BEVEL | | | |
| 19 | | 900253-04008 | 1 | SCREW 4*8 | 4*8 | | |
| 20 | | 433012-39930 | 1 | PLATE, GUIDE | | | |
| 24 | | 433019-12330 | 2 | NUT, FLANGE 8 | M-8 | | |
| 33 | | 175012-00831 | 1 | BEARING, NEEDLE | | | |
| 34 | | A556-000171 | 1 | DRUM,CLUTCH | | | |
| 36 | | 175019-38330 | 1 | PLATE, CLUTCH | | | |
| 38 | | 900253-04010 | 2 | SCREW 4*10 | 4*10 | | |
| 39 | | 433122-35430 | 1 | SPRING, BRAKE | | | |
| 40 | | 433209-35430 | 1 | STOPPER, BRAKE | | | |
| 41 | | 900342-25012 | 1 | PIN, SPRING 2.5*12 | 2.5*12 | | |
| 42 | | 433208-35431 | 1 | LEVER, BRAKE | | | |
| 43 | | 900330-40088 | 1 | ROLLER 4*8.8 | 4*8.8 | | |

9. Clutch, Sprocket



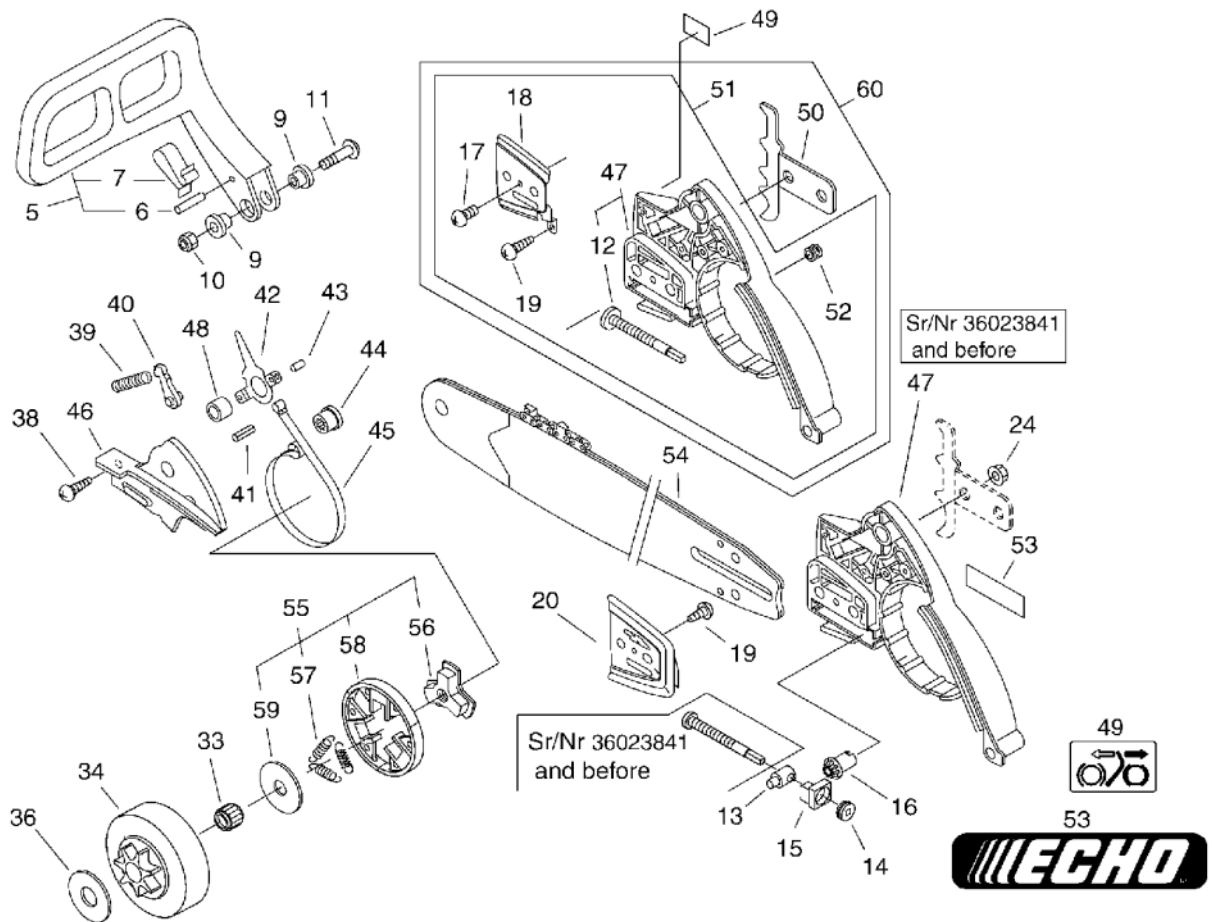
| KEY | LV | PART NUMBER | Q'TY | DESCRIPTION | REMARKS | NOTE1 | NOTE2 |
|-----|----|--------------|------|-----------------------|-----------|-------------------------------------|-------|
| 44 | | 433142-35430 | 1 | ADJUSTER, BRAKE | | | |
| 45 | | C328-000060 | 1 | BAND, BRAKE | | | |
| 46 | | 433310-38330 | 1 | COVER, BRAKE | | | |
| 48 | | 433115-38330 | 1 | WASHER 5.2*12*14 | 5.2*12*14 | | |
| 49 | | 890316-39130 | 1 | LABEL, CAUTION | | Sr/Nr 36014810 and before | |
| 50 | | 880210-36031 | 1 | BUMPER, SPIKED | | Sr/Nr 36023841 and before | |
| 60 | | P021-010290 | 1 | GUARD, SPROCKET SET | | Sr/Nr 36023842 and after | |
| 51 | | P021-001312 | 1 | GUARD, SPROCKET SET | | Sr/Nr 36023841 and before | |
| 51 | + | P021-001313 | 1 | GUARD, SPROCKET SET | | Sr/Nr 36023842 and after | |
| 17 | + | 900220-03006 | 1 | SCREW 3*6 | 3*6 | Can be used on the P021-001312 only | |
| 17 | ++ | 900220-03006 | 1 | SCREW 3*6 | 3*6 | Can be used on the P021-001313 only | |
| 18 | + | C305-000011 | 1 | PLATE, SPROCKET GUARD | | Can be used on the P021-001312 only | |
| 18 | ++ | C305-000011 | 1 | PLATE, SPROCKET GUARD | | Can be used on the P021-001313 only | |

9. Clutch, Sprocket



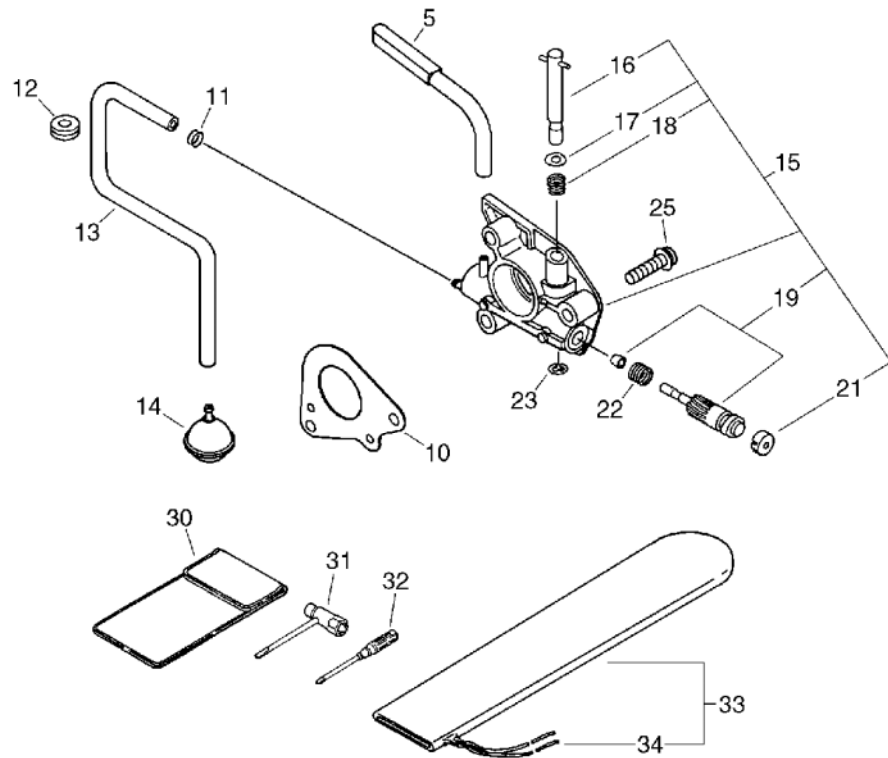
| KEY | LV | PART NUMBER | Q'TY | DESCRIPTION | REMARKS | NOTE1 | NOTE2 |
|-----|-----|--------------|------|----------------------|------------|-------------------------------------|-------|
| 19 | + | 900253-04008 | 1 | SCREW 4*8 | 4*8 | Can be used on the P021-001312 only | |
| 19 | ++ | 900253-04008 | 1 | SCREW 4*8 | 4*8 | Can be used on the P021-001313 only | |
| 47 | + | 433005-60935 | 1 | GUARD, SPROCKET | | Sr/Nr 36023841 and before | |
| 47 | ++ | P021-010170 | 1 | GUARD, SPROCKET KIT | | Sr/Nr 36023842 and after | |
| 12 | +++ | V203-000110 | 1 | BOLT,5 | | Sr/Nr 36023842 and after | |
| 52 | + | V162-000020 | 1 | PLUG | | Can be used on the P021-001312 only | |
| 52 | ++ | V162-000020 | 1 | PLUG | | Can be used on the P021-001313 only | |
| 50 | + | C304-000020 | 1 | SPIKED | | Can be used on the P021-001313 only | |
| 53 | | X502-000020 | 1 | LABEL,ECHO | | | |
| 54 | | 430521-37331 | 1 | BAR,GUIDE 38RD58-325 | 38RD58-325 | Sus. by 430521-37332 | |
| 54 | | 430521-37332 | 1 | BAR, GUIDE 38RD58325 | 38RD58-325 | OPTION | |
| 55 | | P021-007060 | 1 | CLUTCH ASY W/PLATE | | | |

9. Clutch, Sprocket



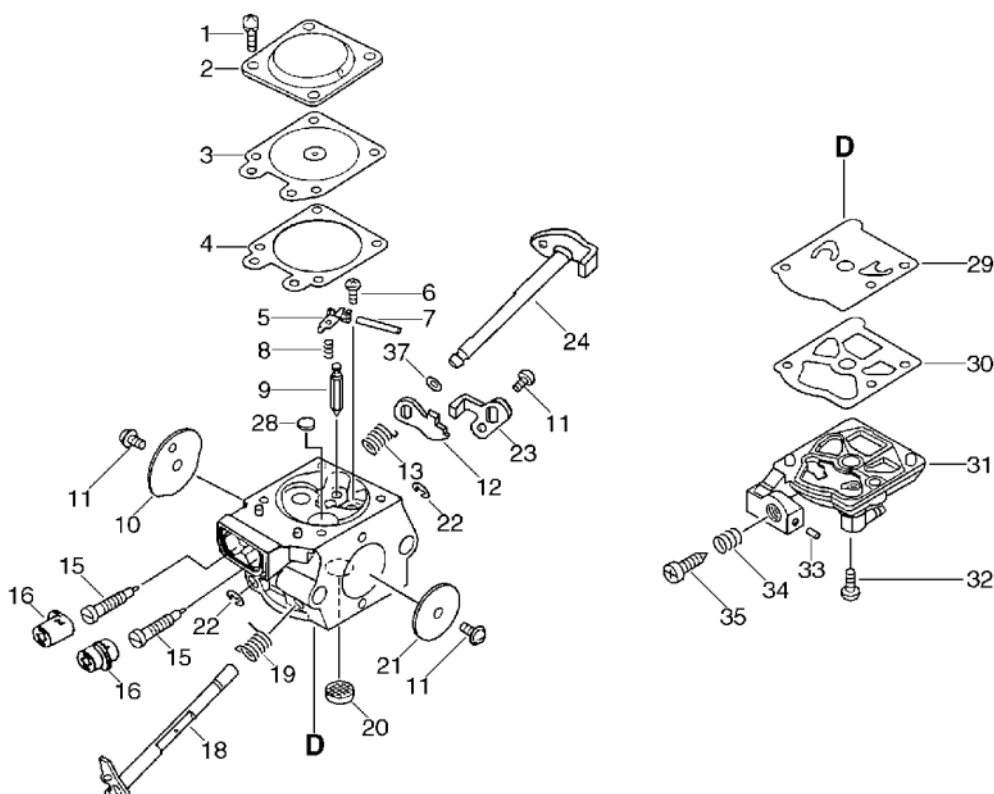
| KEY | LV | PART NUMBER | Q'TY | DESCRIPTION | REMARKS | NOTE1 | NOTE2 |
|-----|----|--------------|------|-----------------|---------|-------|-------|
| 56 | + | A552-000060 | 1 | HUB,CLUTCH | | | |
| 57 | + | V451-000500 | 3 | SPRING,TENSION | | | |
| 58 | + | P021-007050 | 1 | CLUTCH SHOE SET | | | |
| 59 | + | 175019-39430 | 1 | PLATE, CLUTCH | | | |

10. Auto-Oiler, Tools



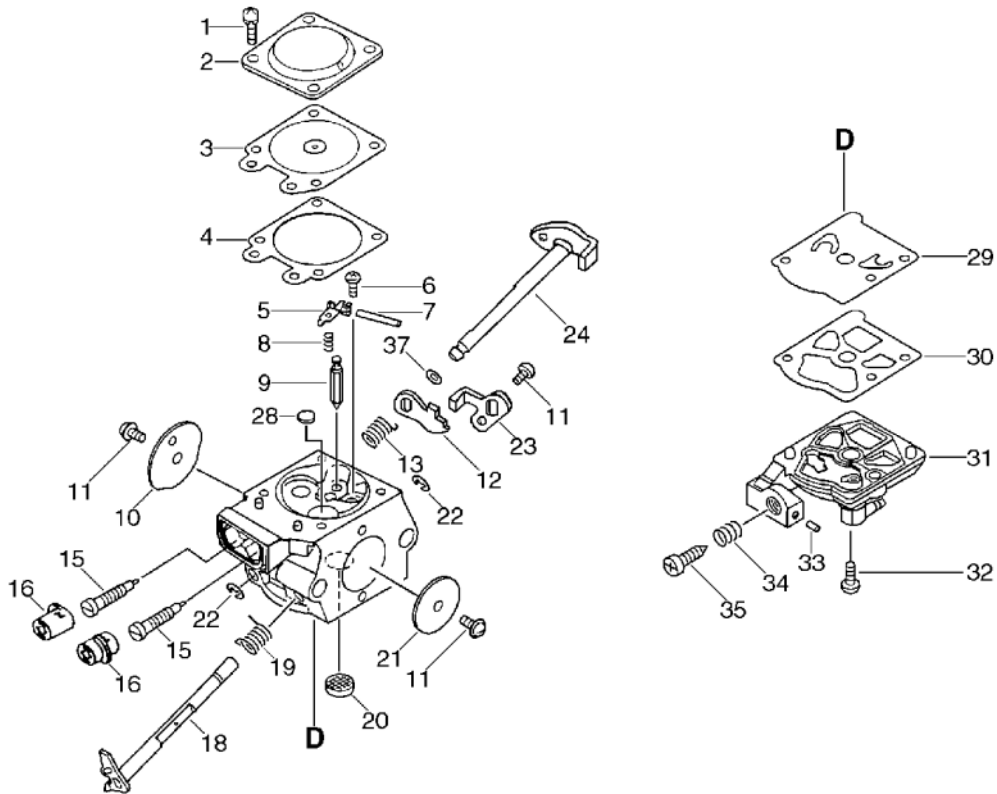
| KEY | LV | PART NUMBER | Q'TY | DESCRIPTION | REMARKS | NOTE1 | NOTE2 |
|-----|----|--------------|------|---------------------|---------|--------|-------|
| 5 | | 437210-39931 | 1 | PIPE | | | |
| 10 | | 175310-38330 | 1 | PLATE, SEAL | | | |
| 11 | | 132013-26630 | 1 | CLIP | 6.5MM | | |
| 12 | | 132115-12330 | 1 | GROMMET | | | |
| 13 | | 437210-35430 | 1 | PIPE | | | |
| 14 | | 436205-14730 | 1 | STRAINER, OIL | | | |
| 15 | | 437002-38330 | 1 | AUTO-OILER ASSY | | | |
| 16 | + | 437016-38330 | 1 | NEEDLE, ADJUST | | | |
| 17 | + | 437029-37330 | 1 | WASHER | | | |
| 18 | + | 437015-37330 | 1 | SPRING | | | |
| 19 | + | 437024-37330 | 1 | PLUNGER | | | |
| 21 | + | 437062-38330 | 1 | CAP, OIL PUMP | | | |
| 22 | + | 437019-38330 | 1 | SPRING | | | |
| 23 | + | 123127-15030 | 1 | RING | | | |
| 25 | | 900223-04016 | 2 | SCREW | 4*16 | | |
| 30 | | 898510-39130 | 1 | BAG, TOOL | | | |
| 31 | | 895410-02830 | 1 | WRENCH, W/S. DRIVER | | | |
| 32 | | 895812-03930 | 1 | DRIVER, SCREW 50 | | | |
| 33 | | 898513-38330 | 1 | SCABBARD, GUIDE BAR | | OPTION | |
| 34 | + | 898568-14530 | 1 | ROPE | 5*900 | OPTION | |

11. Carburetor



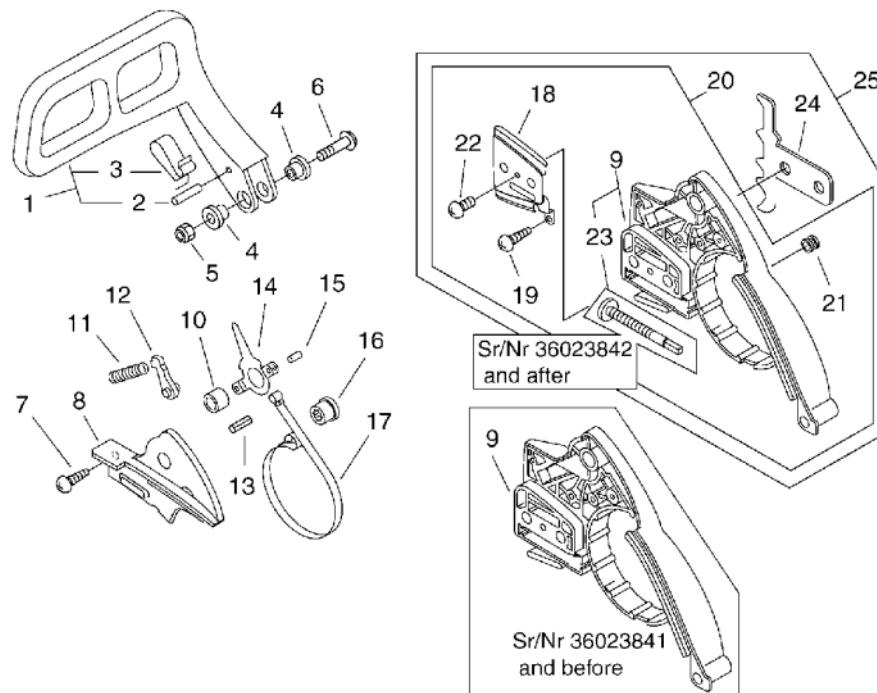
| KEY | LV | PART NUMBER | Q'TY | DESCRIPTION | REMARKS | NOTE1 | NOTE2 |
|-----|----|--------------|------|----------------------|---------|-------|-------|
| | | A021-000220 | 1 | CARBURETOR,DIAPHRAGM | WT-594 | | |
| 1 | + | 123130-02960 | 4 | SCREW | | | |
| 2 | + | 123142-03930 | 1 | COVER, M. DIAPHRAGM | | | |
| 3 | + | 123141-03930 | 1 | DIAPHRAGM, METERING | | | |
| 4 | + | 123140-03930 | 1 | GASKET, M. DIAPHRAGM | | | |
| 5 | + | 123123-03930 | 1 | LEVER, METERING | | | |
| 6 | + | 123139-03930 | 1 | SCREW, M. LEVER PIN | | | |
| 7 | + | 123138-03930 | 1 | PIN, METERING LEVER | | | |
| 8 | + | 123122-39330 | 1 | SPRING, METER. LEVER | | | |
| 9 | + | 123137-19830 | 1 | VALVE, INLET NEEDLE | | | |
| 10 | + | P003-000230 | 1 | VALVE CHOKE | | | |
| 11 | + | 123114-38830 | 3 | SCREW | | | |
| 12 | + | P003-000160 | 1 | LEVER-FAST IDLE | | | |
| 13 | + | P003-000140 | 1 | SPRING | | | |
| 15 | + | 123120-03661 | 2 | NEEDLE | | | |
| 16 | + | P003-000010 | 2 | LIMITER CAP | | | |
| 18 | + | P003-000480 | 1 | SHAFT,THROTTLE | | | |
| 19 | + | 123113-37530 | 1 | SPRING, THROTTLE RTN | | | |
| 20 | + | 123126-10631 | 1 | SCREEN, INLET | | | |
| 21 | + | 123116-10530 | 1 | VALVE, THROTTLE | | | |
| 22 | + | 123127-15030 | 2 | RING | | | |
| 23 | + | P003-000130 | 1 | THROTTLE, LEVER | | | |
| 24 | + | P003-000150 | 1 | CHOKE, SHAFT | | | |
| 28 | + | 123146-10631 | 1 | PLUG, WELCH | | | |
| 29 | + | 123112-15030 | 1 | DIAPHRAGM, FUEL PUMP | | | |
| 30 | + | 123125-15030 | 1 | GASKET, FUEL PUMP | | | |

11. Carburetor



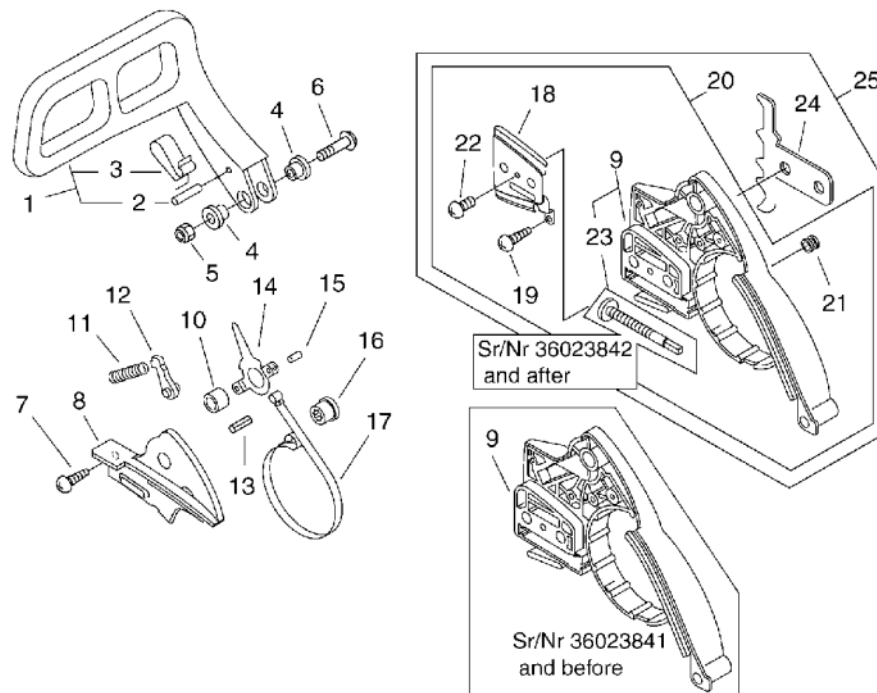
| KEY | LV | PART NUMBER | Q'TY | DESCRIPTION | REMARKS | NOTE1 | NOTE2 |
|-----|----|--------------|------|---------------------|---------|-------|-------|
| 31 | + | 123124-38330 | 1 | COVER, FUEL PUMP | | | |
| 32 | + | 123110-03930 | 1 | SCREW, PUMP COVER | | | |
| 33 | + | 123178-15030 | 1 | PLUG, FRICTION | | | |
| 34 | + | 123133-04260 | 1 | SPRING, IDLE ADJUST | | | |
| 35 | + | 123134-04260 | 1 | SCREW, IDLE ADJUST | | | |
| 37 | + | 123149-26030 | 1 | WASHER | | | |

12. Chain Brake Assy



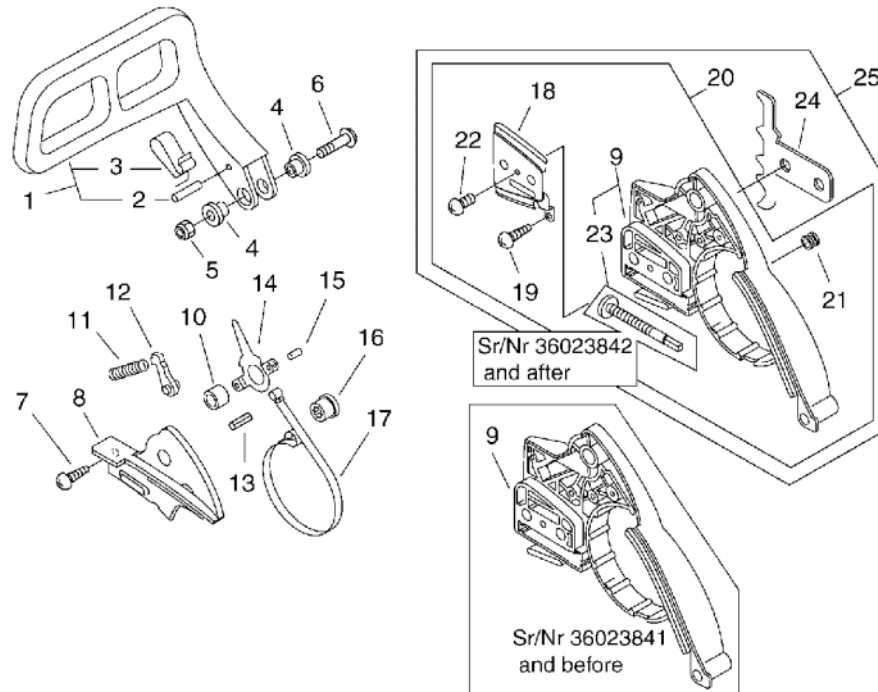
| KEY | LV | PART NUMBER | Q'TY | DESCRIPTION | REMARKS | NOTE1 | NOTE2 |
|-----|----|--------------|------|--------------------|-----------|----------------------|-------|
| | | C032-000016 | 1 | BRAKE,ASM CHAIN | | Sus. by P021-010142 | |
| | | C032-000017 | 1 | BRAKE,ASM CHAIN | | Sus. by P021-010142 | |
| | | P021-010140 | 1 | BRAKE,ASM CHAIN | | Sus. by P021-010142 | |
| | | P021-010141 | 1 | BRAKE,ASM CHAIN | | Sus. by P021-010142 | |
| | | P021-010142 | 1 | BRAKE,ASM CHAIN | | | |
| 1 | + | 433105-60030 | 1 | LEVER, BRAKE | | | |
| 2 | ++ | 900330-30240 | 1 | PIN 3*24 | 3*23.8 | | |
| 3 | ++ | 433114-38331 | 1 | SPRING | | | |
| 4 | + | 433167-39130 | 2 | SPACER | | | |
| 5 | + | 900560-00005 | 1 | NUT, LOCK 5 | 5 | Sus. by 900562-50005 | |
| 5 | + | 900562-50005 | 1 | LOCKNUT 5 | 5 | | |
| 6 | + | 91318-05032 | 1 | SCREW | 5*32 | | |
| 7 | + | 900253-04010 | 2 | SCREW 4*10 | 4*10 | | |
| 8 | + | 433310-38330 | 1 | COVER, BRAKE | | | |
| 10 | + | 433115-38330 | 1 | WASHER 5.2*12*14 | 5.2*12*14 | | |
| 11 | + | 433122-35430 | 1 | SPRING, BRAKE | | | |
| 12 | + | 433209-35430 | 1 | STOPPER, BRAKE | | | |
| 13 | + | 900342-25012 | 1 | PIN, SPRING 2.5*12 | 2.5*12 | | |
| 14 | + | 433208-35431 | 1 | LEVER, BRAKE | | | |
| 15 | + | 900330-40088 | 1 | ROLLER 4*8.8 | 4*8.8 | | |
| 16 | + | 433142-35430 | 1 | ADJUSTER, BRAKE | | | |

12. Chain Brake Asy



| KEY | LV | PART NUMBER | Q'TY | DESCRIPTION | REMARKS | NOTE1 | NOTE2 |
|-----|------|--------------|------|----------------------|---------|--|-------|
| 17 | + | C328-000060 | 1 | BAND,BRAKE | | | |
| 25 | + | P021-010290 | 1 | GUARD, SPROCKET SET | | Sr/Nr 36023842 and after | |
| 20 | + | P021-001312 | 1 | GUARD,SPROCKET SET | | Sr/Nr 36023841 and before | |
| 20 | ++ | P021-001313 | 1 | GUARD,SPROCKET SET | | Sr/Nr 36023842 and after | |
| 9 | ++ | 433005-60935 | 1 | GUARD, SPROCKET | | Sr/Nr 36023841 and before | |
| 9 | +++ | P021-010170 | 1 | GUARD, SPROCKET KIT | | Sr/Nr 36023842 and after | |
| 23 | ++++ | V203-000110 | 1 | BOLT,5 | | Can be used on the P021-010170 only | |
| 18 | ++ | C305-000011 | 1 | PLATE,SPROCKET GUARD | | Can be used on the P021-001312 only | |
| 18 | +++ | C305-000011 | 1 | PLATE,SPROCKET GUARD | | Can be used on the P021-001313 only | |
| 19 | ++ | 900253-04008 | 1 | SCREW 4*8 | 4*8 | Can be used on the P021-001312 only | |
| 19 | +++ | 900253-04008 | 1 | SCREW 4*8 | 4*8 | Can be used on the P021-001313 only | |

12. Chain Brake Asy



| KEY | LV | PART NUMBER | Q'TY | DESCRIPTION | REMARKS | NOTE1 | NOTE2 |
|-----|-----|--------------|------|-------------|---------|-------------------------------------|-------|
| 21 | ++ | V162-000020 | 1 | PLUG | | Can be used on the P021-001312 only | |
| 21 | +++ | V162-000020 | 1 | PLUG | | Can be used on the P021-001313 only | |
| 22 | ++ | 900220-03006 | 1 | SCREW 3*6 | 3*6 | Can be used on the P021-001312 only | |
| 22 | +++ | 900220-03006 | 1 | SCREW 3*6 | 3*6 | Can be used on the P021-001313 only | |
| 24 | ++ | C304-000020 | 1 | SPIKED | | Can be used on the P021-001313 only | |

Index

| Patrs Number | Key No. | Patrs Number | Key No. | Patrs Number | Key No. |
|---------------------|----------------|---------------------|----------------|---------------------|----------------|
| 100000-59531 | 1 - 8 | 123138-03930 | 11 - 7 | 132013-26630 | 10 - 11 |
| 100000-59531 | 2 - 8 | 123139-03930 | 11 - 6 | 132013-26630 | 7 - 33 |
| 100011-37330 | 1 - 9 | 123140-03930 | 11 - 4 | 132013-26630 | 8 - 33 |
| 100011-37330 | 2 - 9 | 123141-03930 | 11 - 3 | 132115-04920 | 7 - 17 |
| 100012-35430 | 1 - 12 | 123142-03930 | 11 - 2 | 132115-04920 | 8 - 17 |
| 100012-35430 | 2 - 12 | 123146-10631 | 11 - 28 | 132115-12330 | 10 - 12 |
| 100013-35430 | 1 - 10 | 123149-26030 | 11 - 37 | 145510-35431 | 3 - 35 |
| 100013-35430 | 2 - 10 | 123178-15030 | 11 - 33 | 145510-35431 | 4 - 35 |
| 100015-03931 | 1 - 11 | 129023-39930 | 3 - 15 | 145610-39930 | 3 - 34 |
| 100015-03931 | 2 - 11 | 129023-39930 | 4 - 15 | 145610-39930 | 4 - 34 |
| 100142-39130 | 1 - 13 | 130007-39931 | 3 - 6 | 145711-60631 | 3 - 32 |
| 100142-39130 | 2 - 13 | 130007-39931 | 4 - 6 | 145711-60631 | 4 - 32 |
| 100252-39930 | 7 - 25 | 130010-38330 | 3 - 7 | 151112-04630 | 5 - 1 |
| 100252-39930 | 8 - 25 | 130010-38330 | 4 - 7 | 151112-04630 | 6 - 1 |
| 100910-19730 | 7 - 22 | 130016-39930 | 1 - 4 | 156626-60630 | 5 - 6 |
| 100910-19730 | 8 - 22 | 130016-39930 | 2 - 4 | 156626-60630 | 6 - 6 |
| 100910-60030 | 1 - 32 | 130020-60630 | 1 - 36 | 156630-39930 | 5 - 8 |
| 100910-60030 | 2 - 32 | 130020-60630 | 2 - 36 | 156630-39930 | 6 - 8 |
| 100915-15131 | 7 - 29 | 130110-54430 | 3 - 8 | 156801-60630 | 5 - 10 |
| 100915-15131 | 8 - 29 | 130110-54430 | 4 - 8 | 156801-60630 | 6 - 10 |
| 100915-33930 | 1 - 31 | 130300-39730 | 3 - 10 | 159010-10230 | 5 - 3 |
| 100915-33930 | 2 - 31 | 130300-39730 | 4 - 10 | 159010-10230 | 6 - 3 |
| 100918-19830 | 1 - 30 | 130301-39931 | 3 - 11 | 159017-31730 | 5 - 3 |
| 100918-19830 | 2 - 30 | 130301-39932 | 3 - 11 | 159118-39930 | 5 - 2 |
| 100918-19830 | 7 - 24 | 130301-39933 | 3 - 11 | 159118-39930 | 6 - 2 |
| 100918-19830 | 8 - 24 | 130301-39935 | 4 - 11 | 162011-60630 | 1 - 37 |
| 101520-35430 | 1 - 23 | 130338-32430 | 1 - 51 | 162011-60630 | 2 - 37 |
| 101520-35430 | 1 - 29 | 130338-32430 | 2 - 51 | 163400-35430 | 3 - 25 |
| 101520-35430 | 2 - 23 | 130366-39930 | 3 - 4 | 163400-35430 | 4 - 25 |
| 101520-35430 | 2 - 29 | 130366-39930 | 4 - 4 | 163413-59530 | 3 - 36 |
| 101535-39932 | 5 - 18 | 130405-38331 | 3 - 9 | 163413-59530 | 4 - 36 |
| 101535-39933 | 6 - 18 | 130405-38332 | 4 - 9 | 163810-59532 | 3 - 29 |
| 123110-03930 | 11 - 32 | 130510-39932 | 1 - 3 | 163810-59533 | 3 - 29 |
| 123112-15030 | 11 - 29 | 130510-39932 | 2 - 3 | 163810-59534 | 3 - 29 |
| 123113-37530 | 11 - 19 | 131004-37932 | 7 - 14 | 163810-59535 | 3 - 29 |
| 123114-38830 | 11 - 11 | 131004-37932 | 8 - 14 | 163810-59535 | 4 - 29 |
| 123116-10530 | 11 - 21 | 131205-19830 | 7 - 19 | 163890-38330 | 1 - 20 |
| 123120-03661 | 11 - 15 | 131205-19830 | 8 - 19 | 163890-38330 | 2 - 20 |
| 123122-39330 | 11 - 8 | 131300-56430 | 7 - 35 | 175012-00831 | 9 - 33 |
| 123123-03930 | 11 - 5 | 131300-56430 | 8 - 35 | 175019-38330 | 9 - 36 |
| 123124-38330 | 11 - 31 | 131328-40630 | 7 - 34 | 175019-39430 | 9 - 59 |
| 123125-15030 | 11 - 30 | 131328-40630 | 8 - 34 | 175310-38330 | 10 - 10 |
| 123126-10631 | 11 - 20 | 132010-00760 | 7 - 18 | 177218-35430 | 5 - 15 |
| 123127-15030 | 10 - 23 | 132010-00760 | 8 - 18 | 177218-35430 | 6 - 15 |
| 123127-15030 | 11 - 22 | 132012-39930 | 7 - 31 | 177234-35430 | 5 - 13 |
| 123130-02960 | 11 - 1 | 132012-39930 | 8 - 31 | 177234-35430 | 6 - 13 |
| 123133-04260 | 11 - 34 | 132012-39931 | 8 - 31 | 177246-11120 | 5 - 25 |
| 123134-04260 | 11 - 35 | 132013-09820 | 7 - 20 | 177246-11120 | 6 - 25 |
| 123137-19830 | 11 - 9 | 132013-09820 | 8 - 20 | 177247-04630 | 5 - 14 |

Index

| Patrs Number | Key No. | Patrs Number | Key No. | Patrs Number | Key No. |
|---------------------|----------------|---------------------|----------------|---------------------|----------------|
| 177247-04630 | 6 - 14 | 436001-65631 | 1 - 40 | 900220-03006 | 12 - 22 |
| 178043-35430 | 7 - 9 | 436114-13930 | 1 - 39 | 900220-03006 | 12 - 22 |
| 178043-35430 | 8 - 9 | 436114-13930 | 2 - 39 | 900220-03006 | 9 - 17 |
| 178090-37930 | 7 - 7 | 436205-14730 | 10 - 14 | 900220-03006 | 9 - 17 |
| 178090-37930 | 8 - 7 | 437002-38330 | 10 - 15 | 900223-04016 | 10 - 25 |
| 178510-38331 | 3 - 26 | 437015-37330 | 10 - 18 | 900238-04016 | 5 - 29 |
| 178810-14532 | 3 - 27 | 437016-38330 | 10 - 16 | 900238-04016 | 6 - 29 |
| 178810-14533 | 3 - 27 | 437019-38330 | 10 - 22 | 900238-05012 | 1 - 2 |
| 178810-14534 | 3 - 27 | 437024-37330 | 10 - 19 | 900238-05012 | 2 - 2 |
| 178810-14534 | 4 - 27 | 437029-37330 | 10 - 17 | 900253-04008 | 1 - 34 |
| 351103-39933 | 7 - 30 | 437062-38330 | 10 - 21 | 900253-04008 | 12 - 19 |
| 351103-39934 | 7 - 30 | 437063-38330 | 1 - 17 | 900253-04008 | 12 - 19 |
| 351103-39934 | 8 - 30 | 437063-38330 | 2 - 17 | 900253-04008 | 2 - 34 |
| 351111-19830 | 7 - 11 | 437210-35430 | 10 - 13 | 900253-04008 | 9 - 19 |
| 351111-19830 | 8 - 11 | 437210-39931 | 10 - 5 | 900253-04008 | 9 - 19 |
| 351134-39930 | 3 - 23 | 606416-60631 | 1 - 35 | 900253-04008 | 9 - 19 |
| 351134-39930 | 4 - 23 | 606416-60631 | 2 - 35 | 900253-04010 | 12 - 7 |
| 351155-35430 | 7 - 6 | 880210-36031 | 9 - 50 | 900253-04010 | 9 - 38 |
| 351155-35430 | 8 - 6 | 890118-49330 | 5 - 30 | 900253-04014 | 7 - 5 |
| 430521-37331 | 9 - 54 | 890118-49330 | 6 - 30 | 900253-04014 | 8 - 5 |
| 430521-37332 | 9 - 54 | 890157-39130 | 3 - 24 | 900253-05016 | 3 - 13 |
| 433000-60930 | 1 - 27 | 890157-39130 | 4 - 24 | 900253-05016 | 4 - 13 |
| 433000-60930 | 2 - 27 | 890316-39130 | 9 - 49 | 900253-05020 | 1 - 28 |
| 433005-60935 | 12 - 9 | 890345-39230 | 1 - 43 | 900253-05020 | 2 - 28 |
| 433005-60935 | 9 - 47 | 890345-39230 | 2 - 43 | 900330-30240 | 12 - 2 |
| 433011-19830 | 1 - 38 | 890631-38130 | 1 - 45 | 900330-30240 | 9 - 6 |
| 433011-19830 | 2 - 38 | 890631-38130 | 2 - 45 | 900330-40088 | 12 - 15 |
| 433012-39930 | 9 - 20 | 895410-02830 | 10 - 31 | 900330-40088 | 9 - 43 |
| 433019-12330 | 9 - 24 | 895812-03930 | 10 - 32 | 900342-25012 | 12 - 13 |
| 433105-60030 | 12 - 1 | 898510-39130 | 10 - 30 | 900342-25012 | 9 - 41 |
| 433105-60030 | 9 - 5 | 898513-38330 | 10 - 33 | 900345-40030 | 7 - 10 |
| 433114-38331 | 12 - 3 | 898568-14530 | 10 - 34 | 900345-40030 | 8 - 10 |
| 433114-38331 | 9 - 7 | 900105-04006 | 3 - 31 | 900500-00008 | 5 - 12 |
| 433115-38330 | 12 - 10 | 900105-04006 | 4 - 31 | 900500-00008 | 6 - 12 |
| 433115-38330 | 9 - 48 | 900105-04020 | 7 - 23 | 900560-00005 | 12 - 5 |
| 433122-35430 | 12 - 11 | 900105-04020 | 8 - 23 | 900560-00005 | 9 - 10 |
| 433122-35430 | 9 - 39 | 900105-05014 | 3 - 33 | 900562-50005 | 12 - 5 |
| 433142-35430 | 12 - 16 | 900105-05014 | 4 - 33 | 900562-50005 | 9 - 10 |
| 433142-35430 | 9 - 44 | 900105-05014 | 5 - 17 | 900600-00005 | 3 - 22 |
| 433167-39130 | 12 - 4 | 900162-05022 | 1 - 6 | 900600-00005 | 4 - 22 |
| 433167-39130 | 9 - 9 | 900162-05022 | 2 - 6 | 900603-00005 | 5 - 16 |
| 433208-35431 | 12 - 14 | 900162-05022 | 5 - 7 | 900603-00005 | 6 - 16 |
| 433208-35431 | 9 - 42 | 900162-05022 | 6 - 7 | 900605-00008 | 5 - 11 |
| 433209-35430 | 12 - 12 | 900162-05030 | 1 - 7 | 900605-00008 | 6 - 11 |
| 433209-35430 | 9 - 40 | 900162-05030 | 2 - 7 | 900720-00022 | 7 - 16 |
| 433310-38330 | 12 - 8 | 900162-05050 | 3 - 12 | 900720-00022 | 8 - 16 |
| 433310-38330 | 9 - 46 | 900162-05050 | 4 - 12 | 900721-00025 | 1 - 42 |
| 436001-39232 | 1 - 40 | 900216-04006 | 5 - 9 | 900721-00025 | 2 - 42 |
| 436001-39232 | 2 - 40 | 900216-04006 | 6 - 9 | 900725-02025 | 1 - 42 |

Index

| Patrs Number | Key No. | Patrs Number | Key No. | Patrs Number | Key No. |
|---------------------|----------------|---------------------|----------------|---------------------|----------------|
| 900888-36201 | 1 - 15 | C328-000060 | 9 - 45 | V162-000020 | 12 - 21 |
| 900888-36201 | 2 - 15 | C400-000190 | 7 - 26 | V162-000020 | 9 - 52 |
| 91145-05016 | 7 - 28 | C400-000190 | 8 - 26 | V162-000020 | 9 - 52 |
| 91145-05016 | 8 - 28 | C450-000000 | 7 - 8 | V162-000040 | 7 - 13 |
| 91145-05020 | 7 - 27 | C450-000000 | 8 - 8 | V162-000040 | 8 - 13 |
| 91145-05020 | 8 - 27 | C454-000011 | 3 - 28 | V203-000041 | 9 - 12 |
| 91318-05032 | 12 - 6 | C454-000012 | 3 - 28 | V203-000090 | 5 - 17 |
| 91318-05032 | 9 - 11 | C454-000012 | 4 - 28 | V203-000090 | 6 - 17 |
| A021-000220 | 11 - | P003-000010 | 11 - 16 | V203-000110 | 12 - 23 |
| A021-000220 | 3 - 14 | P003-000130 | 11 - 23 | V203-000110 | 9 - 12 |
| A021-000220 | 4 - 14 | P003-000140 | 11 - 13 | V355-000270 | 9 - 15 |
| A051-000581 | 5 - 19 | P003-000150 | 11 - 24 | V451-000500 | 9 - 57 |
| A051-000581 | 6 - 19 | P003-000160 | 11 - 12 | V505-000010 | 1 - 16 |
| A160-000014 | 1 - 50 | P003-000230 | 11 - 10 | V505-000010 | 2 - 16 |
| A160-000015 | 2 - 50 | P003-000480 | 11 - 18 | V651-000001 | 9 - 16 |
| A232-000020 | 1 - 48 | P021-001312 | 12 - 20 | V651-000011 | 9 - 14 |
| A232-000021 | 1 - 48 | P021-001312 | 9 - 51 | X502-000020 | 9 - 53 |
| A232-000021 | 2 - 48 | P021-001313 | 12 - 20 | X502-000120 | 5 - 30 |
| A232-000022 | 2 - 48 | P021-001313 | 9 - 51 | X503-006140 | 1 - 44 |
| A232-000023 | 2 - 48 | P021-004131 | 1 - 5 | X503-006141 | 1 - 44 |
| A235-000020 | 1 - 47 | P021-004131 | 2 - 5 | X503-006141 | 2 - 44 |
| A235-000020 | 2 - 47 | P021-007050 | 9 - 58 | X530-000210 | 6 - 31 |
| A241-000100 | 3 - 26 | P021-007060 | 9 - 55 | | |
| A241-000100 | 4 - 26 | P021-007180 | 1 - 33 | | |
| A365-000050 | 1 - 41 | P021-007180 | 2 - 33 | | |
| A365-000050 | 2 - 41 | P021-007181 | 1 - 33 | | |
| A365-000050 | 7 - 15 | P021-007240 | 1 - 14 | | |
| A365-000050 | 8 - 15 | P021-007240 | 2 - 14 | | |
| A426-000010 | 5 - 4 | P021-010140 | 12 - | | |
| A426-000010 | 6 - 4 | P021-010141 | 12 - | | |
| A427-000011 | 5 - 5 | P021-010142 | 12 - | | |
| A427-000012 | 5 - 5 | P021-010170 | 12 - 9 | | |
| A427-000012 | 6 - 5 | P021-010170 | 9 - 47 | | |
| A500-000151 | 5 - 27 | P021-010290 | 12 - 25 | | |
| A500-000151 | 6 - 27 | P021-010290 | 9 - 60 | | |
| A507-000010 | 5 - 21 | P021-013410 | 8 - 30 | | |
| A507-000010 | 6 - 21 | P022-001320 | 5 - 26 | | |
| A552-000060 | 9 - 56 | P022-001320 | 6 - 26 | | |
| A556-000171 | 9 - 34 | P022-004630 | 5 - 20 | | |
| C032-000016 | 12 - | P022-004630 | 6 - 20 | | |
| C032-000017 | 12 - | P022-006230 | 5 - 22 | | |
| C304-000020 | 12 - 24 | P022-006230 | 6 - 22 | | |
| C304-000020 | 9 - 50 | P022-006240 | 5 - 23 | | |
| C305-000011 | 12 - 18 | P022-006240 | 6 - 23 | | |
| C305-000011 | 12 - 18 | P022-006250 | 5 - 24 | | |
| C305-000011 | 9 - 18 | P022-006250 | 6 - 24 | | |
| C305-000011 | 9 - 18 | V135-000010 | 1 - 49 | | |
| C309-000030 | 9 - 13 | V135-000010 | 2 - 49 | | |
| C328-000060 | 12 - 17 | V162-000020 | 12 - 21 | | |

YAMABIKO CORPORATION

7-2 SUEHIROCHO 1-CHOME, OHME, TOKYO 198-8760, JAPAN
PHONE: 81-428-32-6118. FAX: 81-428-32-6145.

