

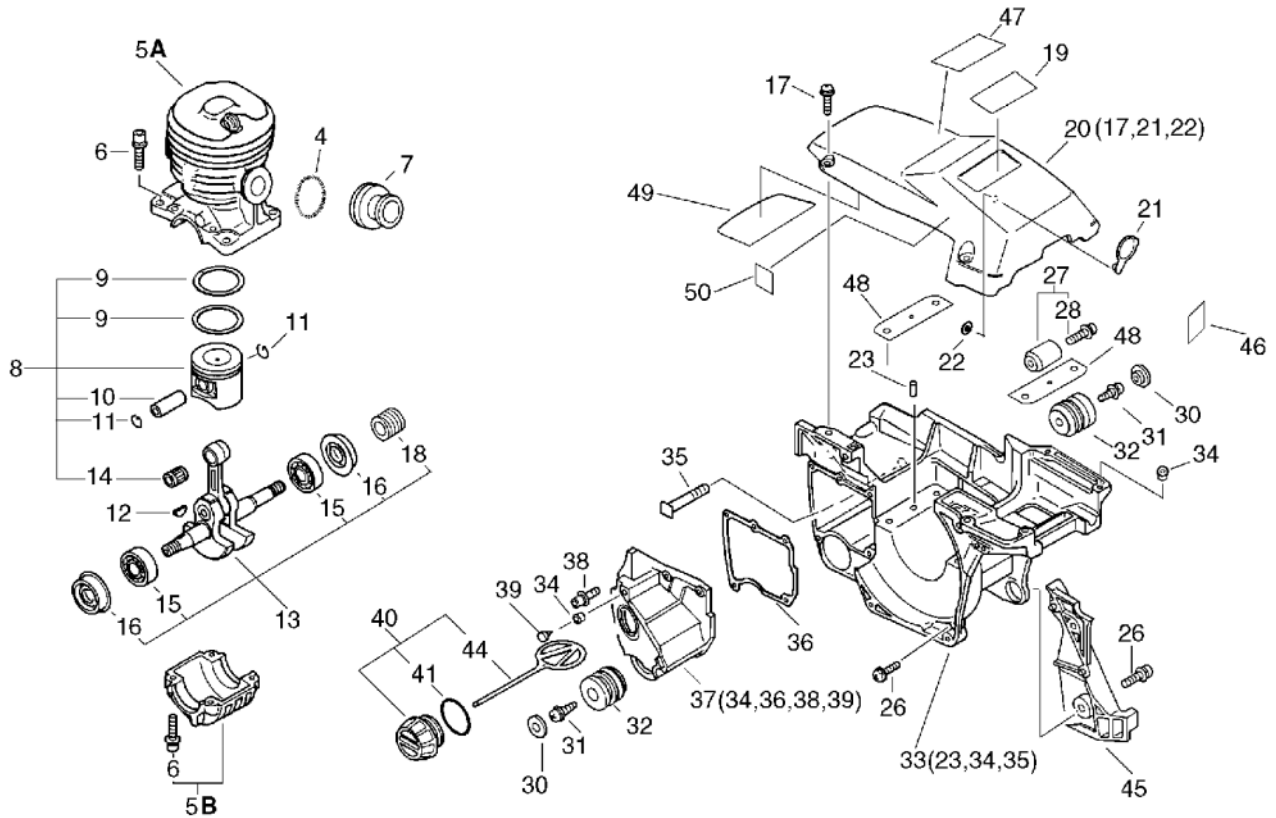


PARTS CATALOGUE

CHAIN SAW CS-4400(6digits)(35)(36)

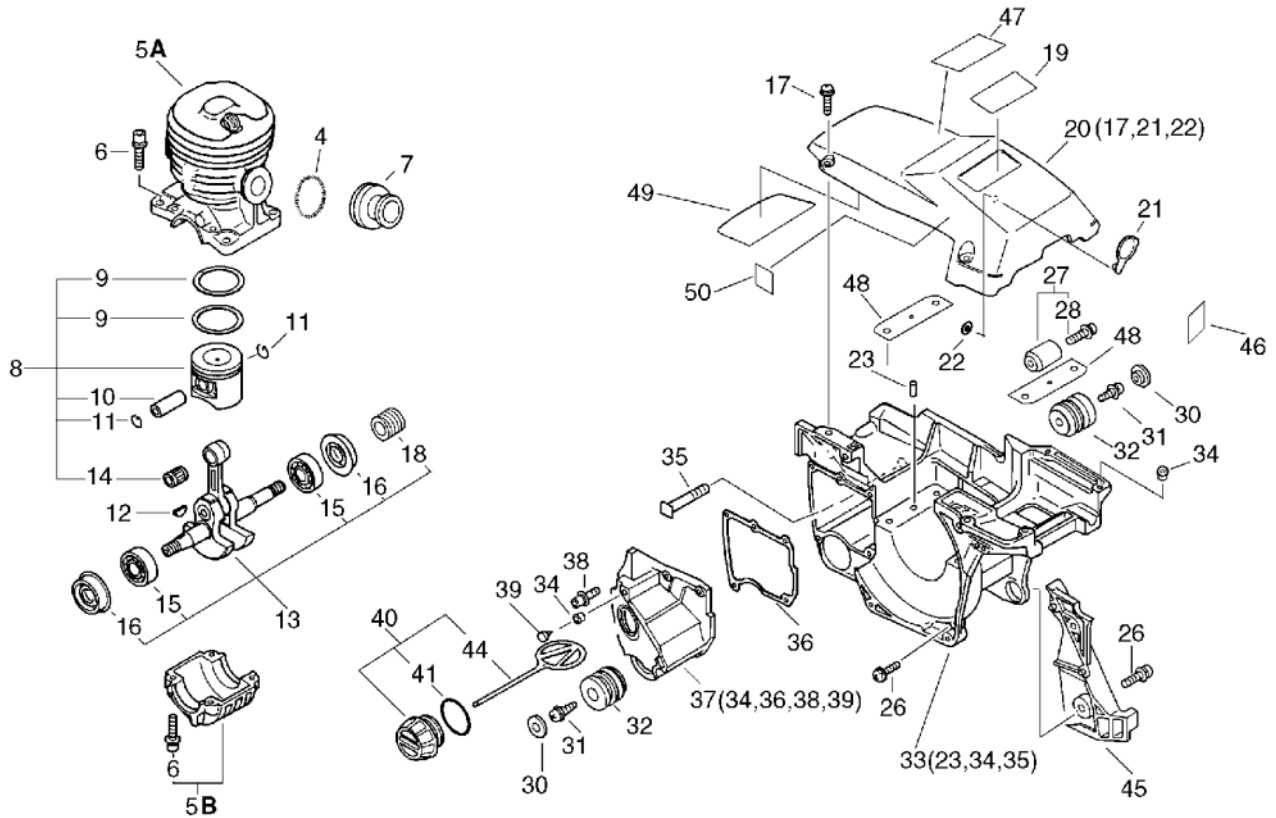
CS-4400(6digits)(35)(36)

1. Cylinder, Crankcase, Piston(Sr/Nr 36020670 and before)



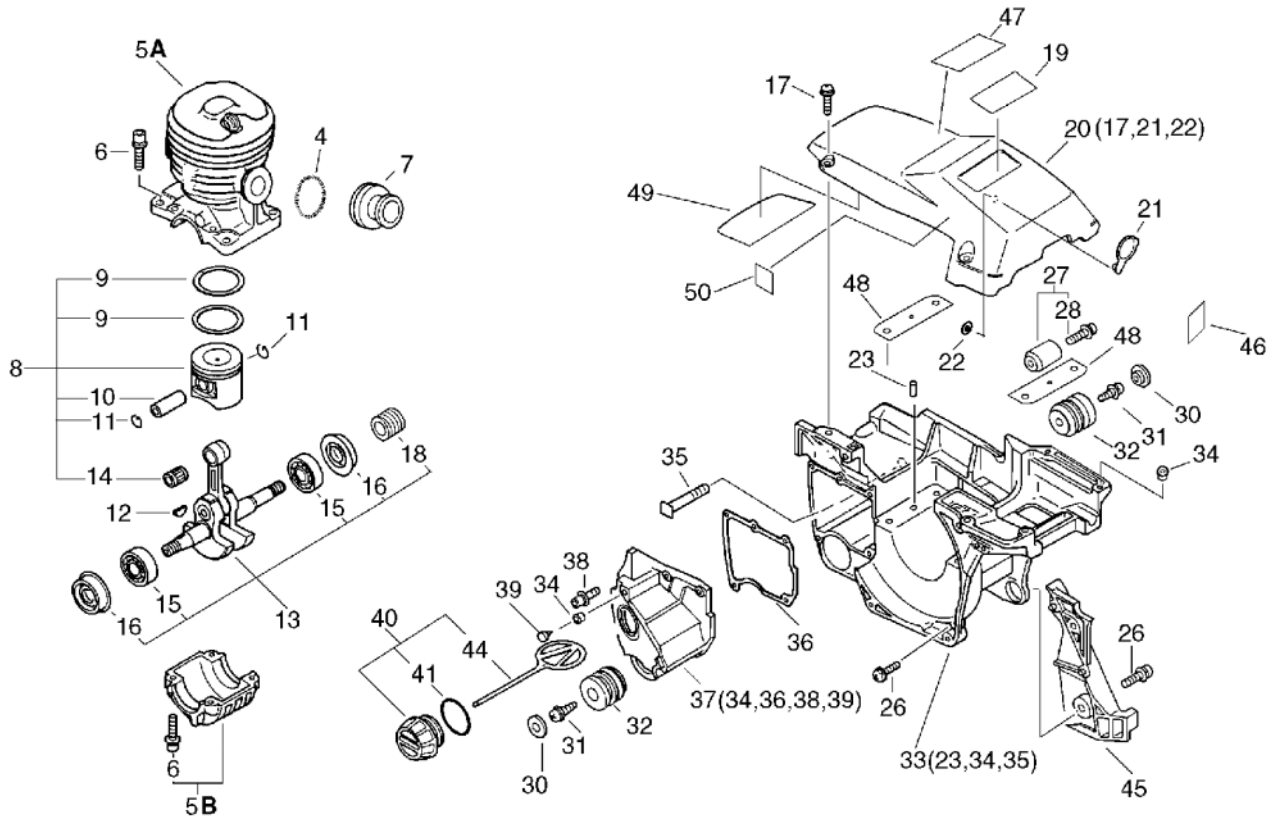
| KEY | LV | PART NUMBER | Q'TY | DESCRIPTION | REMARKS | NOTE1 | NOTE2 |
|-----|----|--------------|------|---------------------|-----------|-------------------------|-------|
| 4 | | 130516-35430 | 1 | SPRING, TENSION | | | |
| 5 | | 100202-38930 | 1 | CRANKCASE SET | | Sus. by P021-004060 | |
| 5 | | 100202-38931 | 1 | CRANKCASE SET | | Sus. by P021-004060 | |
| 5 | | P021-004060 | 1 | CRANKCASE SET | | | |
| 6 | + | 900162-05022 | 4 | BOLT, H.S. 5*22 | 5*22 W,SW | | |
| 6 | | 900162-05022 | 4 | BOLT, H.S. 5*22 | 5*22 W,SW | | |
| 7 | | 130510-38330 | 1 | ADAPTER, INTAKE | | | |
| 8 | | 100000-38930 | 1 | PISTON KIT | | Sus. by 100000-38932 | |
| 8 | | 100000-38931 | 1 | PISTON KIT | | Sus. by 100000-38932 | |
| 8 | | 100000-38932 | 1 | PISTON KIT | | | |
| 9 | + | 100011-38930 | 2 | RING, PISTON | | | |
| 10 | + | 100013-35430 | 1 | PIN, PISTON | 6*9*27.8 | | |
| 11 | + | 100015-03930 | 2 | CIRCLIP, PISTON PIN | | Sus. by 100015-03931 | |
| 11 | + | 100015-03931 | 2 | CIRCLIP, PISTON PIN | | | |
| 14 | + | 100012-35430 | 1 | BEARING, NEEDLE | 9*12*12 | | |
| 12 | | 100142-39130 | 1 | KEY, WOODRUFF | | | |
| 13 | | 100101-38330 | 1 | CRANKSHAFT ASSY | | Sr/Nr 611990 and before | |
| 13 | | P021-007290 | 1 | CRANKSHAFT ASY | | Sr/Nr 611991 and after | |
| 15 | + | 900888-36201 | 2 | BEARING, BALL 6201 | 6201 | | |

1. Cylinder, Crankcase, Piston(Sr/Nr 36020670 and before)



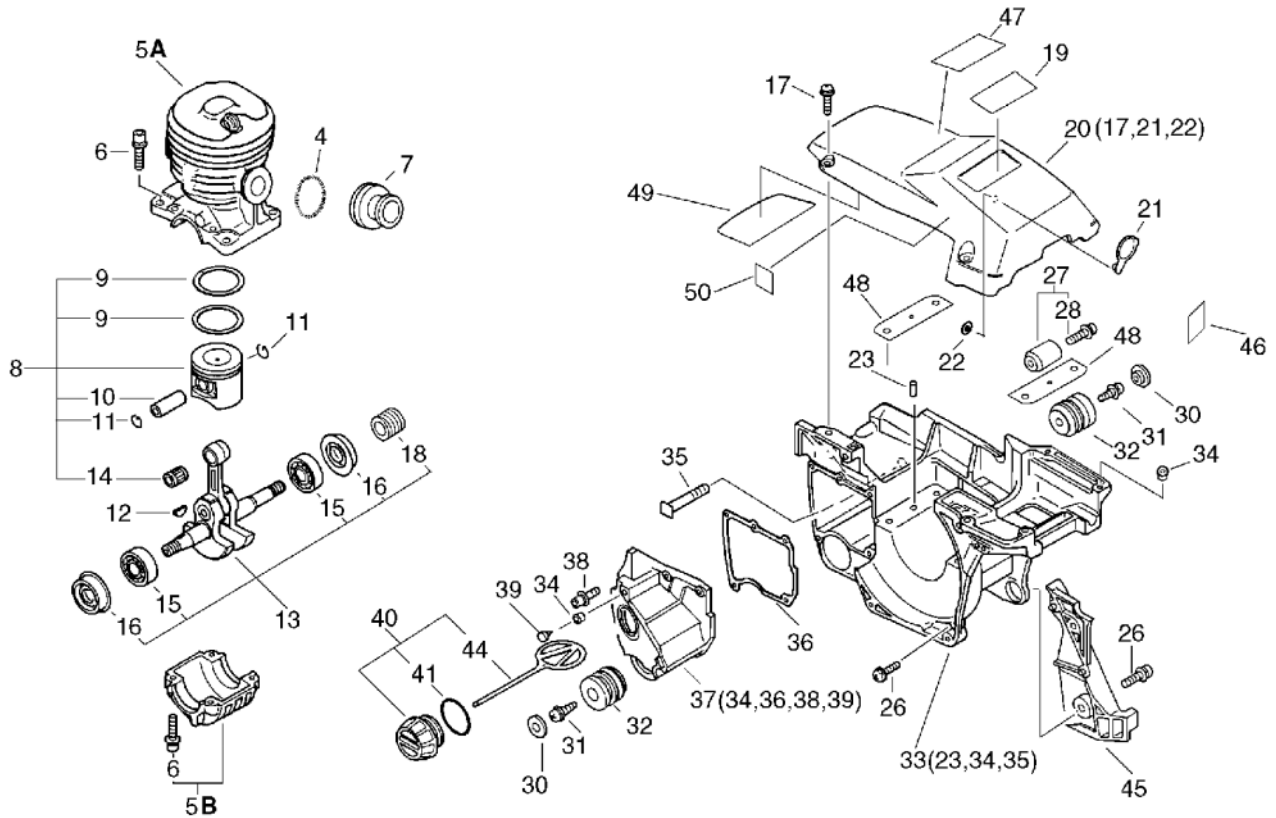
| KEY | LV | PART NUMBER | Q'TY | DESCRIPTION | REMARKS | NOTE1 | NOTE2 |
|-----|----|--------------|------|----------------------|---------------|-------------------------|-------|
| 16 | + | 100213-38330 | 2 | OILSEAL | 15Z=12*35*6.4 | Sr/Nr 611990 and before | |
| 16 | + | V505-000010 | 2 | SEAL,OIL 12 | | Sr/Nr 611991 and after | |
| 18 | + | 437063-38330 | 1 | GEAR, WORM | | | |
| 19 | | 890611-39330 | 1 | LABEL, MODEL | | Sus. by 890611-39331 | |
| 19 | | 890611-39331 | 1 | LABEL, MODEL | | | |
| 20 | | 101501-38330 | 1 | COVER, CYLINDER ASSY | | | |
| 17 | + | 163890-38330 | 3 | BOLT, 5 | | | |
| 21 | + | 101579-38330 | 1 | PLATE, WIND PROOF | | | |
| 22 | + | 900580-00004 | 1 | PUSH, RING | | | |
| 24 | | 433014-19830 | 1 | TENSIONER | | Sr/Nr 517300 and before | |
| 25 | | 433016-38330 | 1 | SCREW, TENSIONER | | Sr/Nr 517300 and before | |
| 26 | | 900238-05016 | 3 | SCREW 5*16 | 5*16 | | |
| 27 | | 433000-19831 | 1 | CATCHER KIT, CHAIN | | | |
| 28 | + | 900220-05018 | 1 | SCREW 5*18 | 5*18 | | |
| 30 | | 100918-38330 | 2 | CAP, CUSHION | | | |
| 31 | | 100915-33930 | 2 | SCREW | | | |
| 32 | | 100921-38330 | 2 | CUSHION | | | |
| 33 | | 104005-38330 | 1 | COVER, ENGINE | | Sus. by P021-003110 | |
| 33 | | 104005-38331 | 1 | COVER, ENGINE | | Sus. by P021-003110 | |

1. Cylinder, Crankcase, Piston(Sr/Nr 36020670 and before)



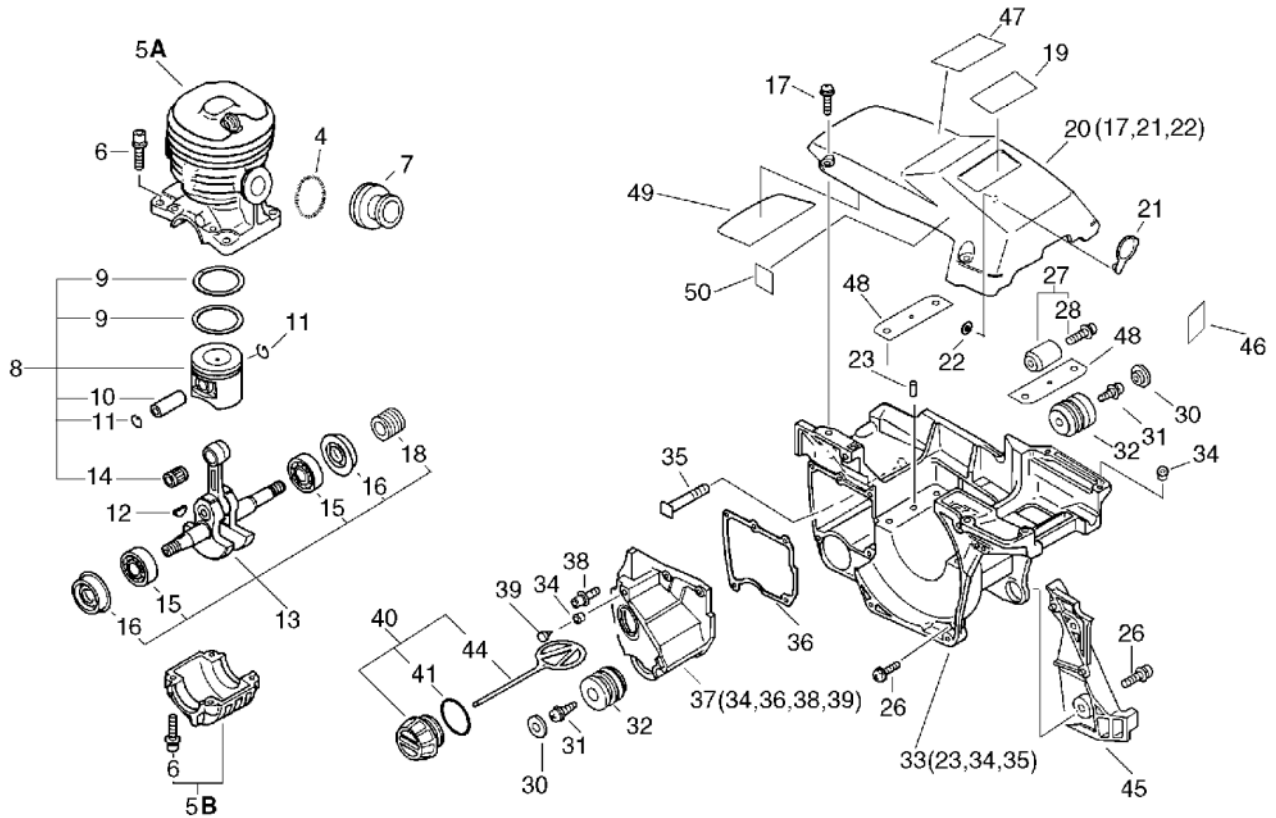
| KEY | LV | PART NUMBER | Q'TY | DESCRIPTION | REMARKS | NOTE1 | NOTE2 |
|-----|----|--------------|------|--------------------|-----------|-------------------------|-------|
| 33 | | 104005-38332 | 1 | COVER, ENGINE | | Sus. by P021-003110 | |
| 33 | | 104005-38333 | 1 | COVER, ENGINE | | Sus. by P021-003110 | |
| 33 | | 104005-38334 | 1 | COVER, ENGINE | | Sus. by P021-003110 | |
| 33 | | P021-003110 | 1 | COVER, ENGINE | | | |
| 23 | + | 100215-03930 | 2 | PIN, DOWEL | | | |
| 34 | + | 436018-38330 | 2 | PIN, DOWEL | | | |
| 35 | + | 433011-19830 | 2 | STUD, GUIDE BAR | | | |
| 37 | | 436005-38330 | 1 | TANK, OIL (BS) | | Sus. by 436005-38332 | |
| 37 | | 436005-38331 | 1 | TANK, OIL | | Sus. by 436005-38332 | |
| 37 | | 436005-38332 | 1 | TANK, OIL (BS) | | | |
| 34 | + | 436018-38330 | 1 | PIN, DOWEL | | | |
| 36 | + | 436019-38330 | 1 | GASKET, OIL TANK | | | |
| 38 | + | 900162-04016 | 3 | BOLT, H.S. 4*16 | 4*16 W,SW | | |
| 39 | + | 436114-13930 | 1 | VALVE, CHECK | | | |
| 40 | | 436001-37933 | 1 | CAP ASSY, OIL TANK | | Sr/Nr 502750 and before | |
| 40 | | 436001-39231 | 1 | CAP ASSY, TANK | | Sus. by 436001-39232 | |
| 40 | | 436001-39232 | 1 | CAP, OIL | | Sr/Nr 502751 and after | |

1. Cylinder, Crankcase, Piston(Sr/Nr 36020670 and before)



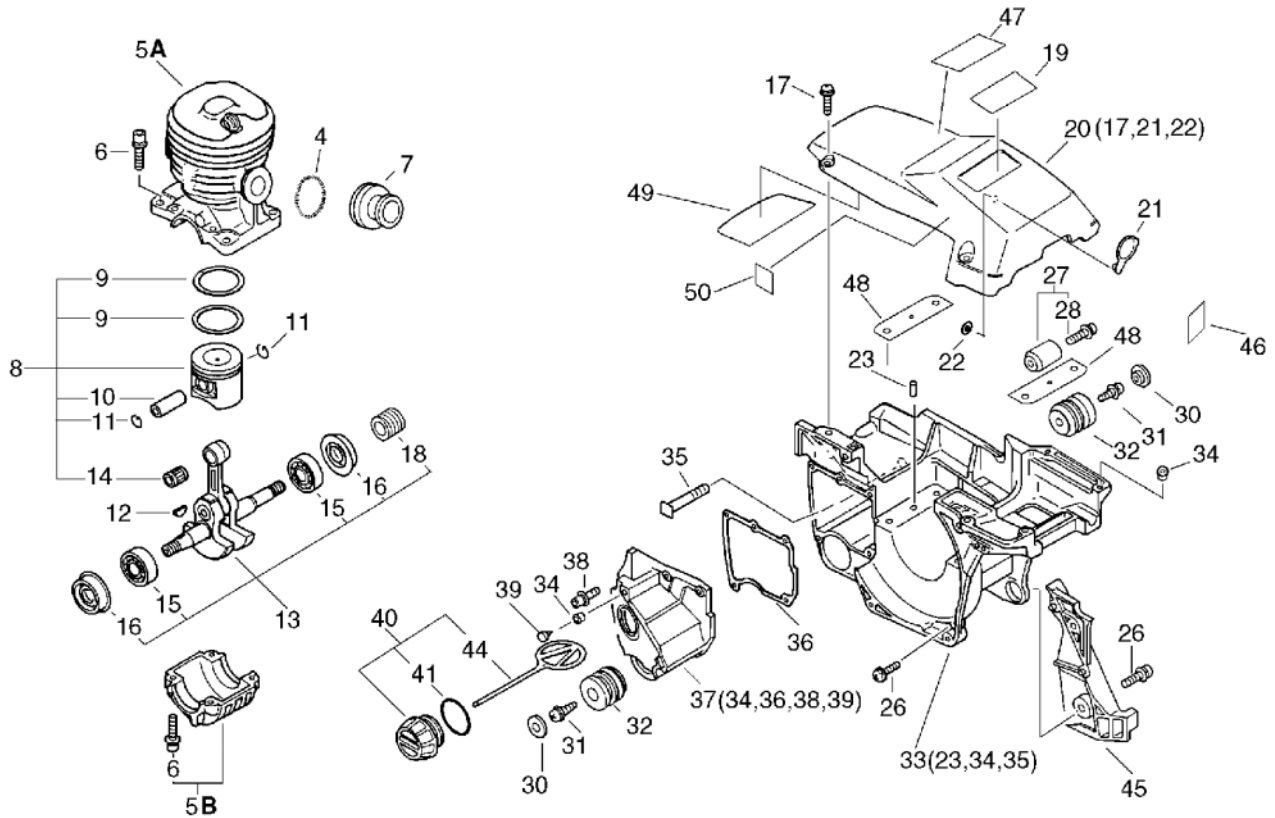
| KEY | LV | PART NUMBER | Q'TY | DESCRIPTION | REMARKS | NOTE1 | NOTE2 |
|-----|----|--------------|------|----------------|-----------|--------------------------|-------|
| 41 | + | 900725-02025 | 1 | O-RING | JASO 2025 | Sus. by 900721-00025 | |
| 41 | + | 900721-00025 | 1 | O-RING 25 | G-25 | | |
| 42 | + | 131050-19830 | 1 | RETAINER, LINK | | Sr/Nr 502750 and before | |
| 43 | + | 900246-03008 | 1 | SCREW 3*8 | 3*8 | Sr/Nr 502750 and before | |
| 44 | + | 131051-19830 | 1 | LINK | 60L | Sus. by A365-000050 | |
| 44 | + | A365-000050 | 1 | CONNECTOR,CAP | | | |
| 45 | | 433045-38330 | 1 | PLUG | | Sus. by 433045-38332 | |
| 45 | | 433045-38331 | 1 | COVER | | Sus. by 433045-38332 | |
| 45 | | 433045-38332 | 1 | COVER | | | |
| 46 | | 890157-39130 | 1 | LABEL, SWITCH | | | |
| 47 | | 890345-39230 | 1 | LABEL,CAUTION | | | |
| 48 | | V150-001740 | 2 | PLATE,EYE | | Sr/Nr 36012281 and after | |

2. Cylinder, Crankcase, Piston(Sr/Nr 36020671 and after)



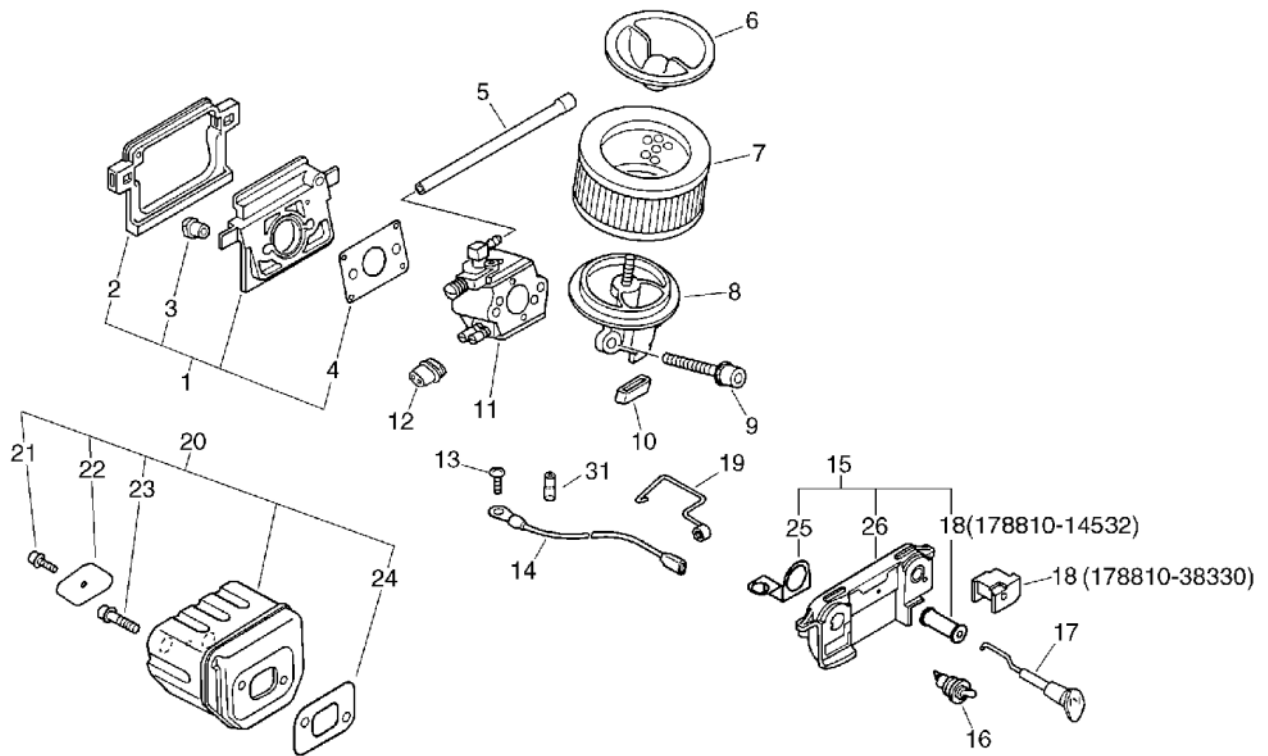
| KEY | LV | PART NUMBER | Q'TY | DESCRIPTION | REMARKS | NOTE1 | NOTE2 |
|-----|----|--------------|------|---------------------|-----------|-------|-------|
| 4 | | 130516-35430 | 1 | SPRING, TENSION | | | |
| 5 | | P021-004060 | 1 | CRANKCASE SET | | | |
| 6 | + | 900162-05022 | 4 | BOLT, H.S. 5*22 | 5*22 W,SW | | |
| 6 | | 900162-05022 | 4 | BOLT, H.S. 5*22 | 5*22 W,SW | | |
| 7 | | 130510-38330 | 1 | ADAPTER, INTAKE | | | |
| 8 | | 100000-38932 | 1 | PISTON KIT | | | |
| 9 | + | 100011-38930 | 2 | RING, PISTON | | | |
| 10 | + | 100013-35430 | 1 | PIN, PISTON | 6*9*27.8 | | |
| 11 | + | 100015-03931 | 2 | CIRCLIP, PISTON PIN | | | |
| 14 | + | 100012-35430 | 1 | BEARING, NEEDLE | 9*12*12 | | |
| 12 | | 100142-39130 | 1 | KEY, WOODRUFF | | | |
| 13 | | P021-007290 | 1 | CRANKSHAFT ASY | | | |
| 15 | + | 900888-36201 | 2 | BEARING, BALL 6201 | 6201 | | |
| 16 | + | V505-000010 | 2 | SEAL,OIL 12 | | | |
| 18 | + | 437063-38330 | 1 | GEAR, WORM | | | |
| 19 | | 890611-39331 | 1 | LABEL, MODEL | | | |
| 20 | | P021-006830 | 1 | COVER, CYLINDER ASY | | | |
| 17 | + | 163890-38330 | 3 | BOLT, 5 | | | |
| 21 | + | 101579-38330 | 1 | PLATE, WIND PROOF | | | |
| 22 | + | 900580-00004 | 1 | PUSH, RING | | | |
| 26 | | 900238-05016 | 3 | SCREW 5*16 | 5*16 | | |
| 27 | | 433000-19831 | 1 | CATCHER KIT, CHAIN | | | |
| 28 | + | 900220-05018 | 1 | SCREW 5*18 | 5*18 | | |
| 30 | | 100918-38330 | 2 | CAP, CUSHION | | | |
| 31 | | 100915-33930 | 2 | SCREW | | | |
| 32 | | 100921-38330 | 2 | CUSHION | | | |

2. Cylinder, Crankcase, Piston(Sr/Nr 36020671 and after)



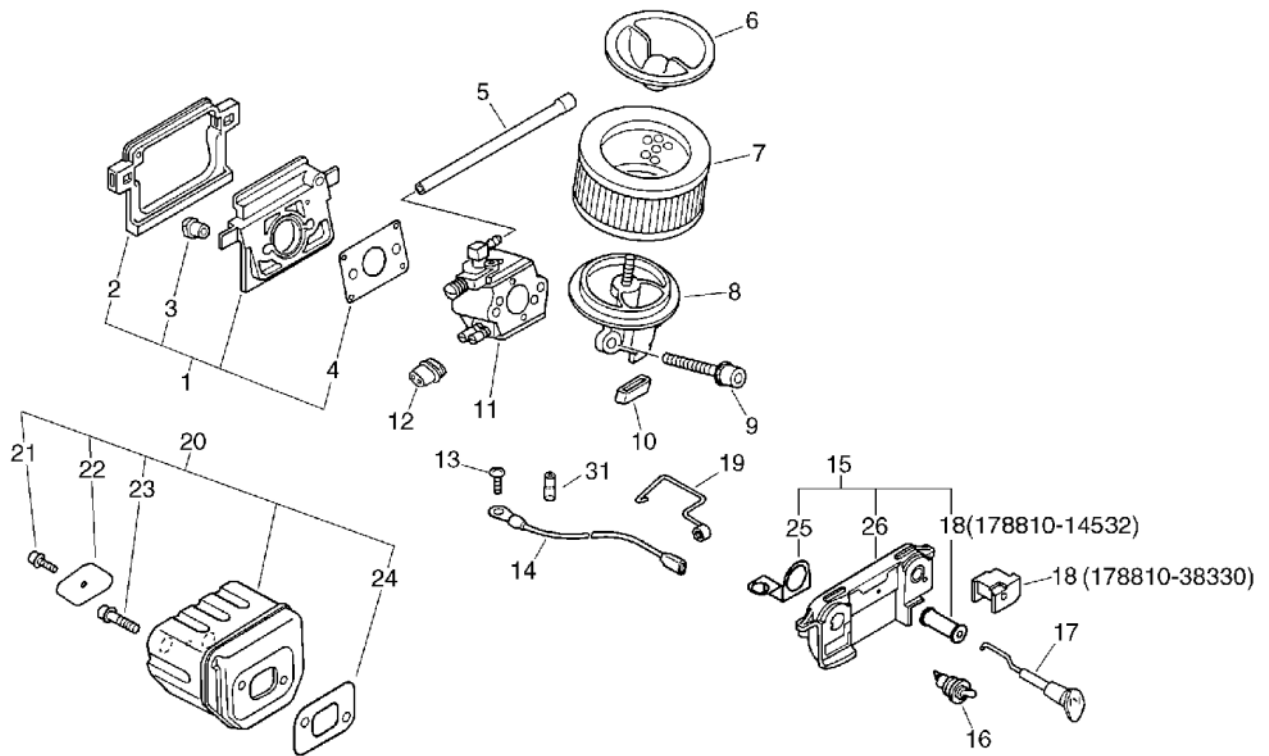
| KEY | LV | PART NUMBER | Q'TY | DESCRIPTION | REMARKS | NOTE1 | NOTE2 |
|-----|----|--------------|------|------------------|-----------|-------|-------|
| 33 | | P021-003110 | 1 | COVER, ENGINE | | | |
| 23 | + | 100215-03930 | 2 | PIN, DOWEL | | | |
| 34 | + | 436018-38330 | 2 | PIN, DOWEL | | | |
| 35 | + | 433011-19830 | 2 | STUD, GUIDE BAR | | | |
| 37 | | 436005-38332 | 1 | TANK, OIL (BS) | | | |
| 34 | + | 436018-38330 | 1 | PIN, DOWEL | | | |
| 36 | + | 436019-38330 | 1 | GASKET, OIL TANK | | | |
| 38 | + | 900162-04016 | 3 | BOLT, H.S. 4*16 | 4*16 W,SW | | |
| 39 | + | 436114-13930 | 1 | VALVE, CHECK | | | |
| 40 | | 436001-39232 | 1 | CAP, OIL | | | |
| 41 | + | 900721-00025 | 1 | O-RING 25 | G-25 | | |
| 44 | + | A365-000050 | 1 | CONNECTOR,CAP | | | |
| 45 | | 433045-38332 | 1 | COVER | | | |
| 46 | | 890157-39130 | 1 | LABEL, SWITCH | | | |
| 47 | | 890345-39230 | 1 | LABEL,CAUTION | | | |
| 48 | | V150-001740 | 2 | PLATE,EYE | | | |
| 49 | | V341-000090 | 1 | WASHER,SQUARE | | | |
| 50 | | X505-000180 | 1 | LABEL,CAUTION | | | |

3. Air Cleaner, Muffler



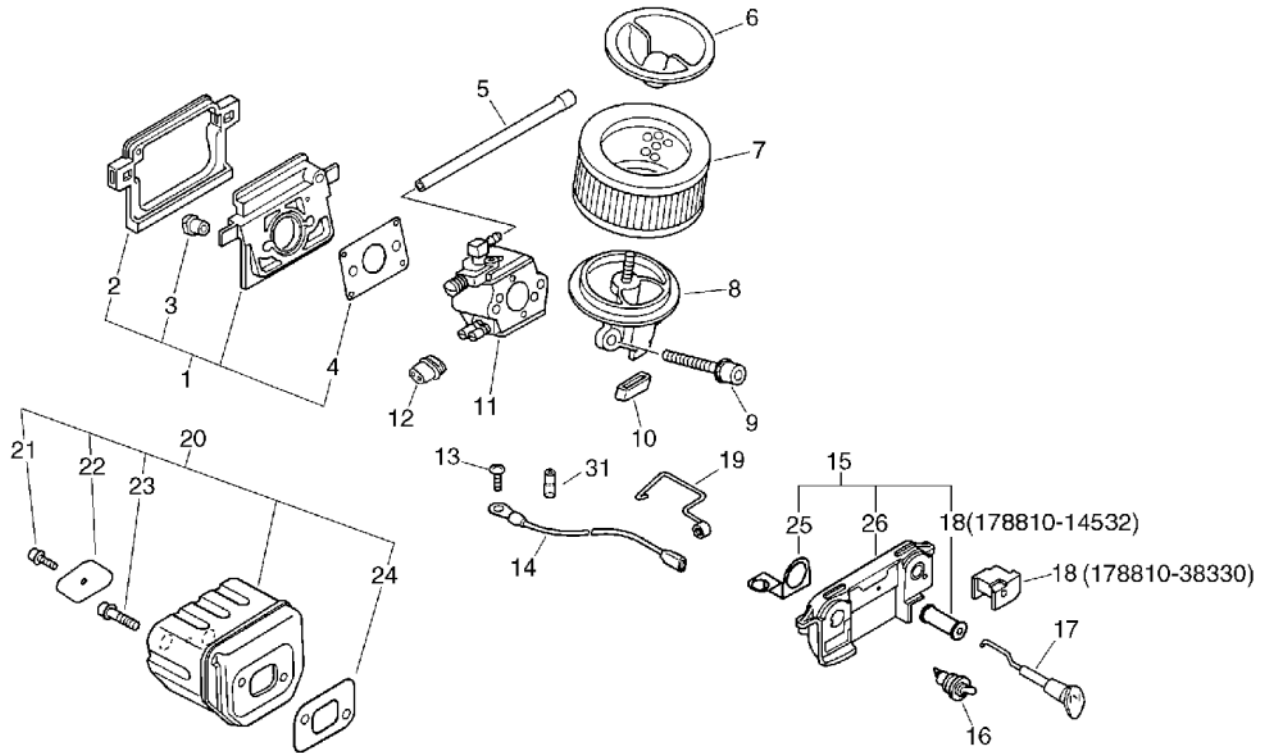
| KEY | LV | PART NUMBER | Q'TY | DESCRIPTION | REMARKS | NOTE1 | NOTE2 |
|-----|----|--------------|------|----------------------|-----------|--------------------------|-------|
| 1 | | 130000-38330 | 1 | INSULATOR KIT | | Sus. by 130000-38331 | |
| 1 | | 130000-38331 | 1 | INSULATOR ASY,INTAKE | | | |
| 2 | + | 130366-38330 | 1 | CUSHION | | Sus. by V420-001130 | |
| 2 | + | V420-001130 | 1 | CUSHION | | | |
| 3 | + | 130020-33330 | 2 | NUT | | | |
| 4 | + | 130010-38330 | 1 | GASKET, INTAKE | | | |
| 5 | | 130110-38330 | 1 | PIPE, IMPULSE | 3*5*110 | | |
| 6 | | 130405-38331 | 1 | BRACKET, AIR CLEANER | | Sus. by 130405-38332 | |
| 7 | | 130310-38330 | 1 | FILTER, AIR | | Sus. by 130310-38331 | |
| 7 | | 130310-38331 | 1 | FILTER, AIR | | | |
| 8 | | 130301-38331 | 1 | ELBOW, CARBURETOR | | Sus. by 130301-38332 | |
| 8 | | 130301-38332 | 1 | ELBOW, CARBURETOR | | | |
| 9 | | 900162-05050 | 2 | BOLT, H.S. 5*50 | 5*50 W,SW | | |
| 10 | | 130430-38330 | 1 | CUSHION | | | |
| 11 | | 123000-38331 | 1 | CARBURETOR ASSY | WT-201A | Sus. by 123000-38332 | |
| 11 | | 123000-38332 | 1 | CARBURETOR ASSY | WT-201B | Sr/Nr 613855 and before | |
| 11 | | 123000-39333 | 1 | CARBURETOR WT-416C | WT-416C | Sr/Nr 36001001 and after | |

3. Air Cleaner, Muffler



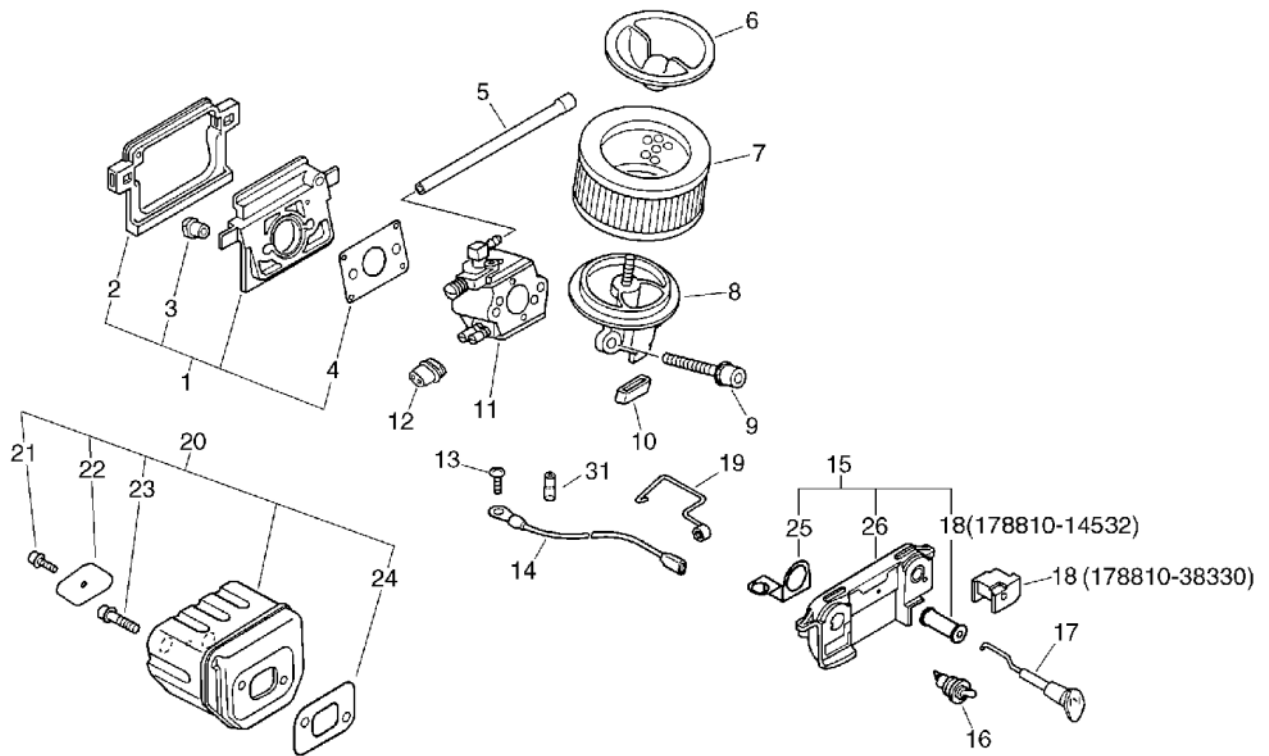
| KEY | LV | PART NUMBER | Q'TY | DESCRIPTION | REMARKS | NOTE1 | NOTE2 |
|-----|----|--------------|------|-----------------|---------|-------------------------|-------|
| 12 | | 129010-33330 | 1 | GROMMET | | Sr/Nr 613855 and before | |
| 13 | | 900220-04006 | 1 | SCREW 4*6 | 4*6 | | |
| 14 | | 162010-38330 | 1 | LEAD, GROUND | | Sus. by 162010-38332 | |
| 14 | | 162010-38331 | 1 | LEAD, GROUND | | Sus. by 162010-38332 | |
| 14 | | 162010-38332 | 1 | LEAD, GROUND | | | |
| 15 | | 163810-38330 | 1 | BRACKET, SWITCH | | Sus. by 163804-38935 | |
| 15 | | 163804-38930 | 1 | BRACKET, SWITCH | | Sus. by 163804-38935 | |
| 15 | | 163804-38931 | 1 | BRACKET, SWITCH | | Sus. by 163804-38935 | |
| 15 | | 163804-38932 | 1 | BRACKET, SWITCH | | Sus. by 163804-38935 | |
| 15 | | 163804-38935 | 1 | BRACKET, SWITCH | | | |
| 18 | + | 178810-14531 | 1 | GROMMET, CHOKE | | Sus. by 178810-14534 | |
| 18 | + | 178810-14532 | 1 | GROMMET | | Sus. by 178810-14534 | |
| 18 | + | 178810-14533 | 1 | GROMMET | | Sus. by 178810-14534 | |
| 18 | + | 178810-14534 | 1 | GROMMET | | Sr/Nr 504117 and after | |

3. Air Cleaner, Muffler



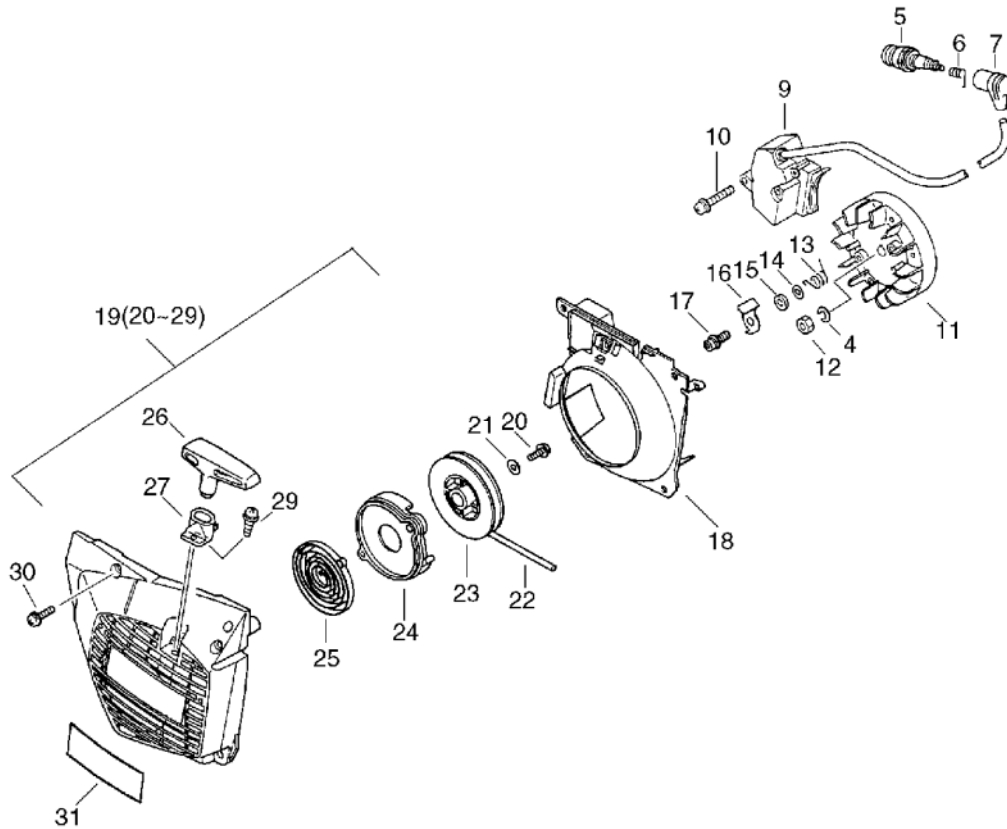
| KEY | LV | PART NUMBER | Q'TY | DESCRIPTION | REMARKS | NOTE1 | NOTE2 |
|-----|----|--------------|------|------------------|---------|-------------------------|-------|
| 25 | + | 163413-38930 | 1 | PLATE, SWITCH | | Sr/Nr 504117 and after | |
| 26 | + | 163810-38931 | 1 | BRACKET, SWITCH | | Sus. by 163810-38933 | |
| 26 | + | 163810-38932 | 1 | BRACKET, SWITCH | | Sus. by 163810-38933 | |
| 26 | + | 163810-38933 | 1 | BRACKET, SWITCH | | Sr/Nr 504117 and after | |
| 16 | | 163400-38330 | 1 | SWITCH, IGNITION | | | |
| 17 | | 178510-38330 | 1 | ROD, CHOKE | | Sus. by A241-000100 | |
| 17 | | 178510-38331 | 1 | ROD, CHOKE | | Sus. by A241-000100 | |
| 17 | | A241-000100 | 1 | KNOB, CHOKE | | | |
| 18 | | 178810-38330 | 1 | GROMMET, CHOKE | | Sr/Nr 504116 and before | |
| 19 | | 178011-38331 | 1 | ROD, THROTTLE | | | |
| 20 | | 145600-38330 | 1 | MUFFLER ASSY | | Sus. by P021-008610 | |
| 20 | | 145600-38331 | 1 | MUFFLER ASY | | Sus. by P021-008610 | |
| 20 | | 145600-38332 | 1 | MUFFLER ASY | | Sus. by P021-008610 | |
| 20 | | 145600-38333 | 1 | MUFFLER ASY | | Sus. by P021-008610 | |
| 20 | | P021-008610 | 1 | MUFFLER ASY | | | |

3. Air Cleaner, Muffler



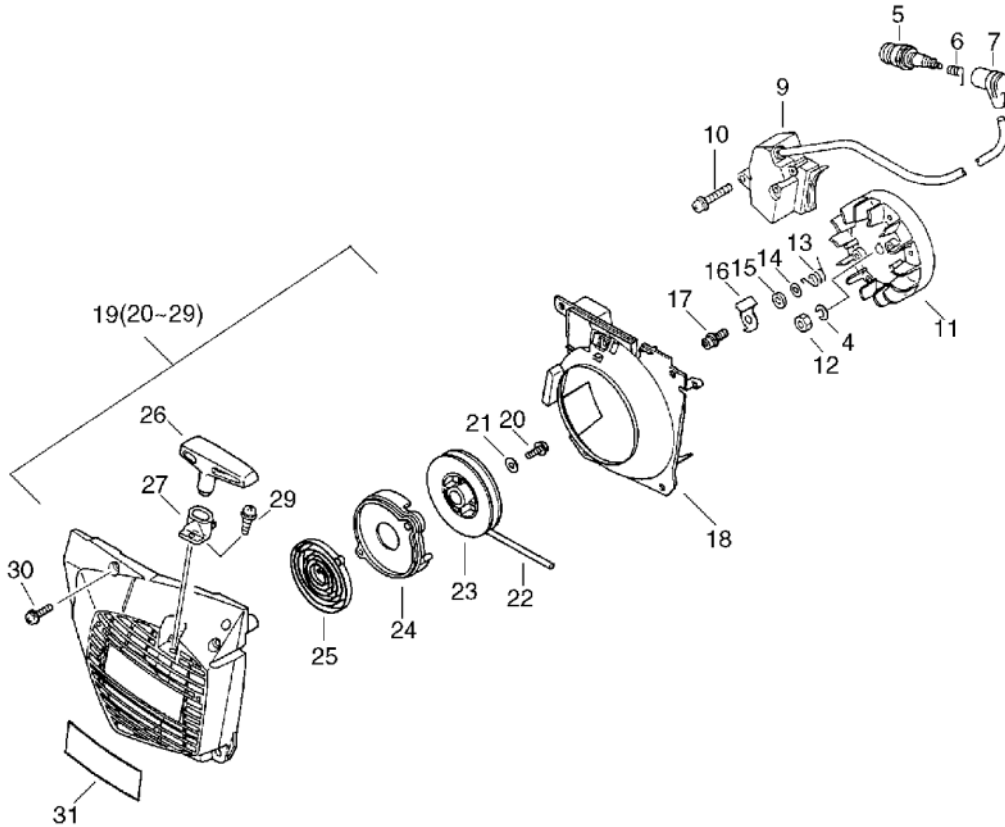
| KEY | LV | PART NUMBER | Q'TY | DESCRIPTION | REMARKS | NOTE1 | NOTE2 |
|-----|----|--------------|------|-----------------|---------|----------------------|-------|
| 21 | + | 900105-04006 | 1 | BOLT, H.S. 4*6 | 4*6 | | |
| 22 | + | 145711-35430 | 1 | PLATE (BL) | | Sus. by 145711-60631 | |
| 22 | + | 145711-60631 | 1 | STAY, MUFFLER | | | |
| 23 | + | 900105-05014 | 2 | BOLT, H.S. 5*14 | 5*14 | | |
| 24 | + | 145510-35431 | 1 | GASKET, MUFFLER | | | |
| 31 | | C483-000000 | 1 | BOOT, CONNECTOR | | | |

4. Starter, Magneto



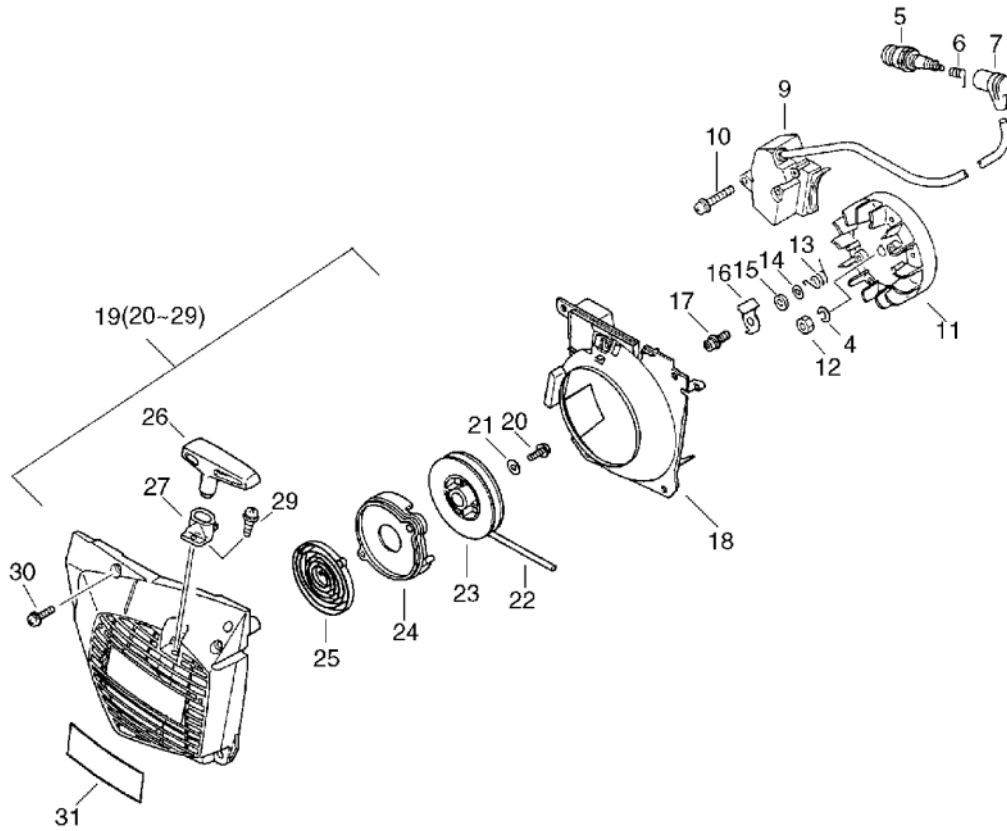
| KEY | LV | PART NUMBER | Q'TY | DESCRIPTION | REMARKS | NOTE1 | NOTE2 |
|-----|----|--------------|------|--------------------|------------|-------------------------|-------|
| 4 | | 900605-00008 | 1 | WASHER, SPRING 8 | 8 | | |
| 5 | | 159017-31730 | 1 | PLUG, SPARK RCJ-6Y | RCJ-6Y | | |
| 6 | | 159011-03432 | 1 | COIL, SPARK PLUG | | | |
| 7 | | 159012-01620 | 1 | CAP, SPARK PLUG | | | |
| 9 | | 156626-38330 | 1 | COIL, IGNITION | | Sus. by 156626-38332 | |
| 9 | | 156626-38331 | 1 | COIL, IGNITION | | Sus. by 156626-38332 | |
| 9 | | 156626-38332 | 1 | COIL, IGNITION | | Sr/Nr 601000 and before | |
| 9 | | A411-000030 | 1 | COIL,IGNITION | | Sus. by A411-000031 | |
| 9 | | A411-000031 | 1 | COIL,IGNITION | | Sr/Nr 601001 and after | |
| 10 | | 900162-04030 | 2 | BOLT, H.S. 4*30 | 4*30 W.SW | | |
| 11 | | 156800-38930 | 1 | ROTOR, MAGNETO | | Sus. by 156800-38931 | |
| 11 | | 156800-38931 | 1 | ROTOR, MAGNETO | | Sr/Nr 601000 and before | |
| 11 | | A409-000080 | 1 | ROTOR,MAGNETO | | Sr/Nr 601001 and after | |
| 12 | | 900500-00008 | 1 | NUT 8 | 8*P1.25 | | |
| 13 | | 177234-35430 | 2 | SPRING, RETURN | | | |
| 14 | | 900603-00005 | 2 | WASHER 5 | 5.5*12*0.8 | | |
| 15 | | 177247-04630 | 2 | SPACER, RATCHET | 5.2*8*2.1 | | |
| 16 | | 177218-19830 | 2 | PAWL, STARTER | | | |

4. Starter, Magneto



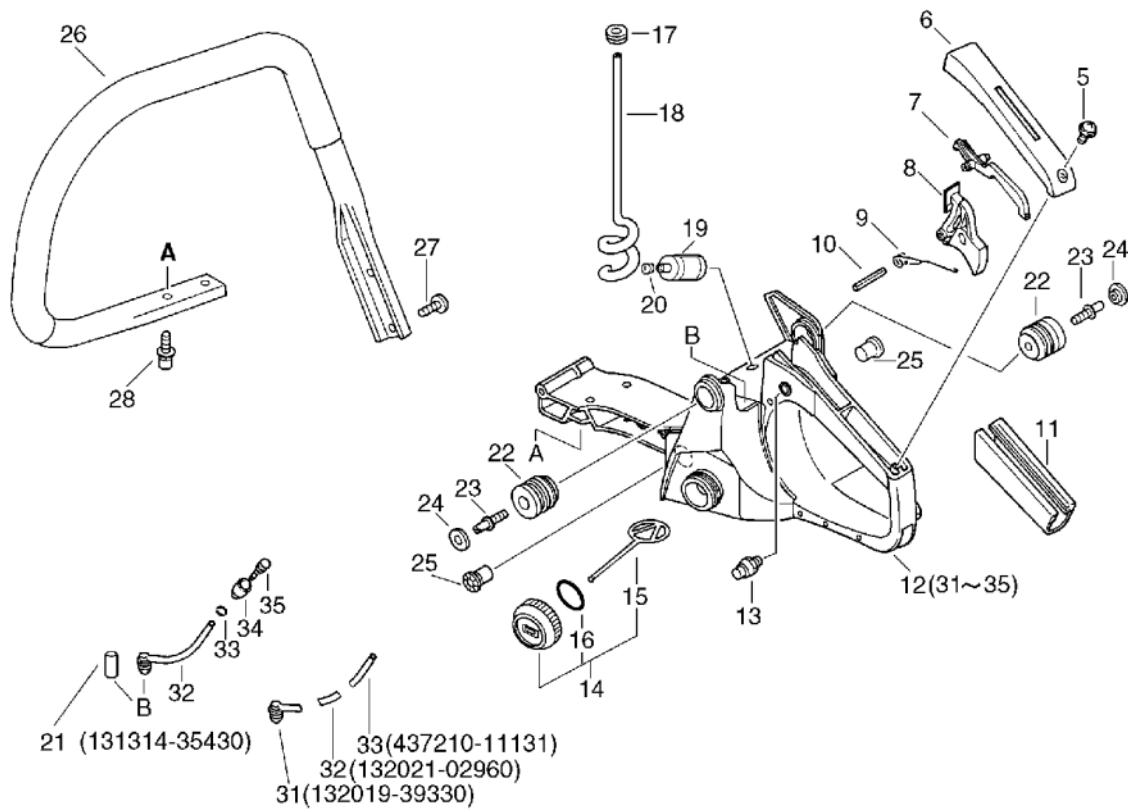
| KEY | LV | PART NUMBER | Q'TY | DESCRIPTION | REMARKS | NOTE1 | NOTE2 |
|-----|----|--------------|------|-----------------|-------------|-------------------------|-------|
| 17 | | 900162-05014 | 2 | BOLT, H.S. 5*14 | 5*14 W,SW | Sus. by V203-000090 | |
| 17 | | V203-000090 | 2 | BOLT,5 | M5*14 | | |
| 18 | | 101535-38930 | 1 | COVER, FAN | | Sr/Nr 601000 and before | |
| 18 | | A172-000060 | 1 | COVER,FAN | | Sus. by A172-000062 | |
| 18 | | A172-000061 | 1 | COVER,FAN | | Sus. by A172-000062 | |
| 18 | | A172-000062 | 1 | COVER,FAN | | Sr/Nr 601001 and after | |
| 19 | | 177200-38931 | 1 | STARTER,ASSY | | Sus. by 177200-38335 | |
| 19 | | 177200-38332 | 1 | STARTER ASY | | Sus. by 177200-38335 | |
| 19 | | 177200-38333 | 1 | STARTER ASY | | Sus. by 177200-38335 | |
| 19 | | 177200-38334 | 1 | STARTER ASY | | Sus. by 177200-38335 | |
| 19 | | 177200-38335 | 1 | STARTER ASY | | | |
| 20 | + | 900238-05012 | 1 | SCREW 5*12 | 5*12 | | |
| 21 | + | 177214-02830 | 1 | WASHER | 5.2*16*1.0T | | |
| 22 | + | 177226-38330 | 1 | ROPE, STARTER | 3.5*1000 | | |
| 23 | + | 177215-38330 | 1 | DRUM, STARTER | | | |
| 24 | + | 177221-38330 | 1 | PLATE, STARTER | | | |
| 25 | + | 177220-35430 | 1 | SPRING, REWIND | | | |

4. Starter, Magneto



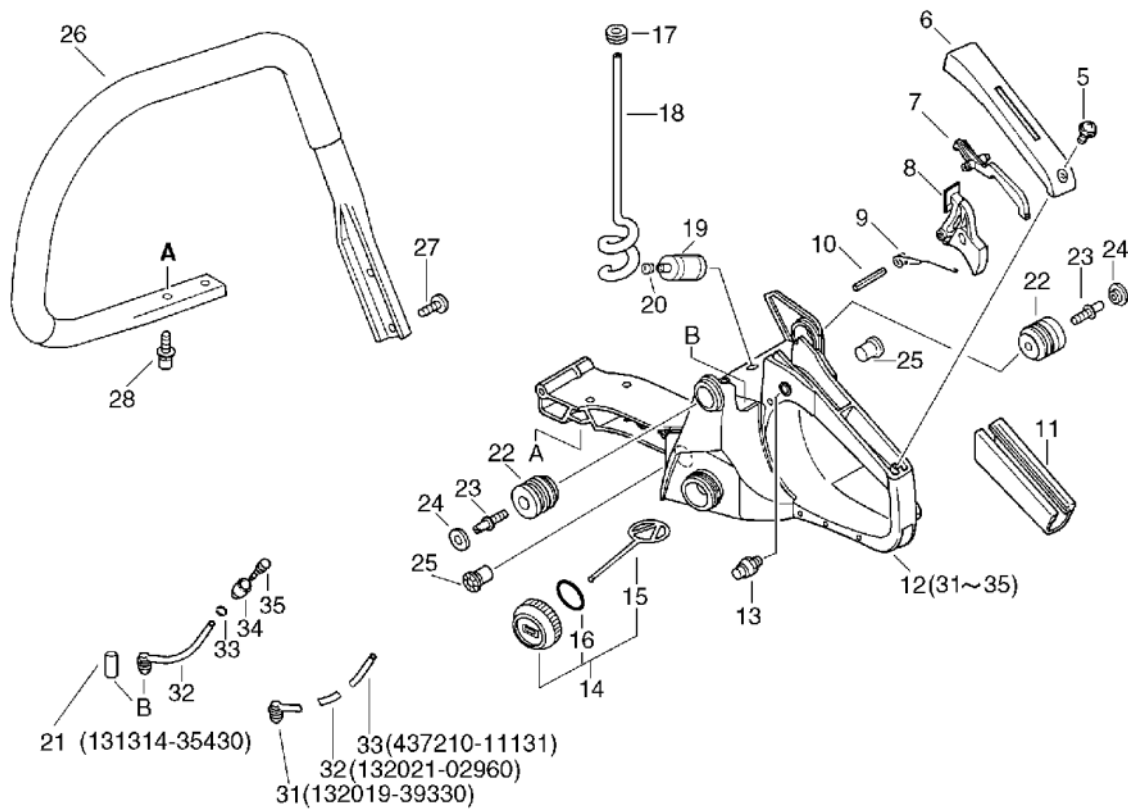
| KEY | LV | PART NUMBER | Q'TY | DESCRIPTION | REMARKS | NOTE1 | NOTE2 |
|-----|----|--------------|------|--------------------|----------|-------|-------|
| 26 | + | 177228-35430 | 1 | GRIP, STARTER (BL) | | | |
| 27 | + | 177227-37930 | 1 | GUIDE, ROPE | | | |
| 29 | + | 900296-03014 | 1 | SCREW 3*14 | 3*14 SUS | | |
| 30 | | 900238-05018 | 4 | SCREW 5*18 | 5*18 | | |
| 31 | | X502-000010 | 1 | LABEL,ECHO | | | |

5. Handle



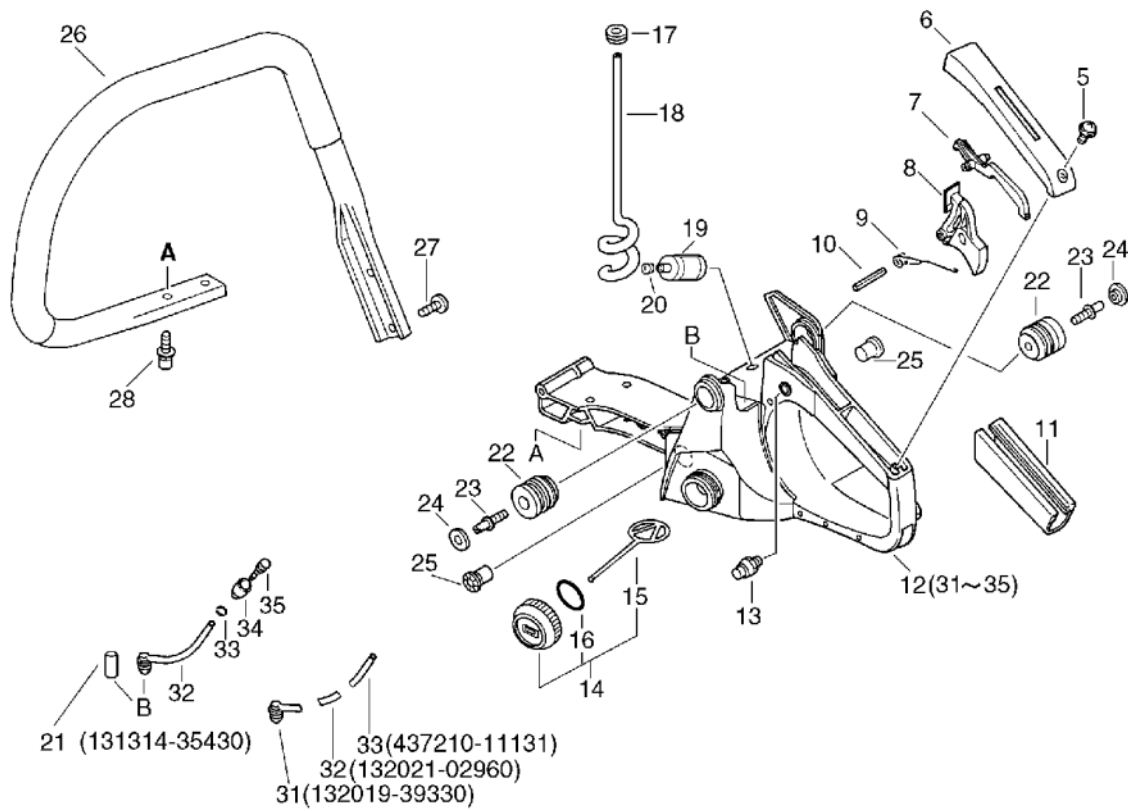
| KEY | LV | PART NUMBER | Q'TY | DESCRIPTION | REMARKS | NOTE1 | NOTE2 |
|-----|----|--------------|------|---------------------|------------|-------------------------|-------|
| 5 | | 900253-04014 | 1 | SCREW 4*14 | 4*14 | | |
| 6 | | 351155-35430 | 1 | COVER, HANDLE (BL) | | | |
| 7 | | 178090-37930 | 1 | LOCKOUT, T. CONTROL | | | |
| 8 | | 178010-38330 | 1 | TRIGGER, THROTTLE | | Sus. by C450-000000 | |
| 8 | | 178010-38331 | 1 | TRIGGER, THROTTLE | | Sus. by C450-000000 | |
| 8 | | C450-000000 | 1 | TRIGGER, THROTTLE | | | |
| 9 | | 178043-35430 | 1 | SPRING, THR.RETURN | | | |
| 10 | | 900345-40030 | 1 | PIN, SPRING 4*30SUS | 4*30SUS | | |
| 11 | | 351111-19830 | 1 | GRIP, HANDLE | | | |
| 12 | | 351103-38330 | 1 | HANDLE, REAR | | Sus. by 351101-38332 | |
| 12 | | 351101-38330 | 1 | HANDLE ASSY, REAR | | Sus. by 351101-38332 | |
| 12 | | 351101-38331 | 1 | HANDLE ASSY, REAR | | Sus. by 351101-38332 | |
| 12 | | 351101-38332 | 1 | HANDLE ASY, REAR | | | |
| 31 | + | 132019-39330 | 1 | GROMMET, FUEL | | Sr/Nr 501670 and before | |
| 32 | + | 132021-02960 | 1 | CONNECTOR, PIPE | | Sr/Nr 501670 and before | |
| 32 | + | 132012-39330 | 1 | PIPE, W/GROMMET | L105 NBR | Sus. by 132012-39331 | |
| 33 | + | 437210-11131 | 1 | PIPE 3*5*90 NBR | 3*5*90 NBR | Sr/Nr 501670 and before | |

5. Handle



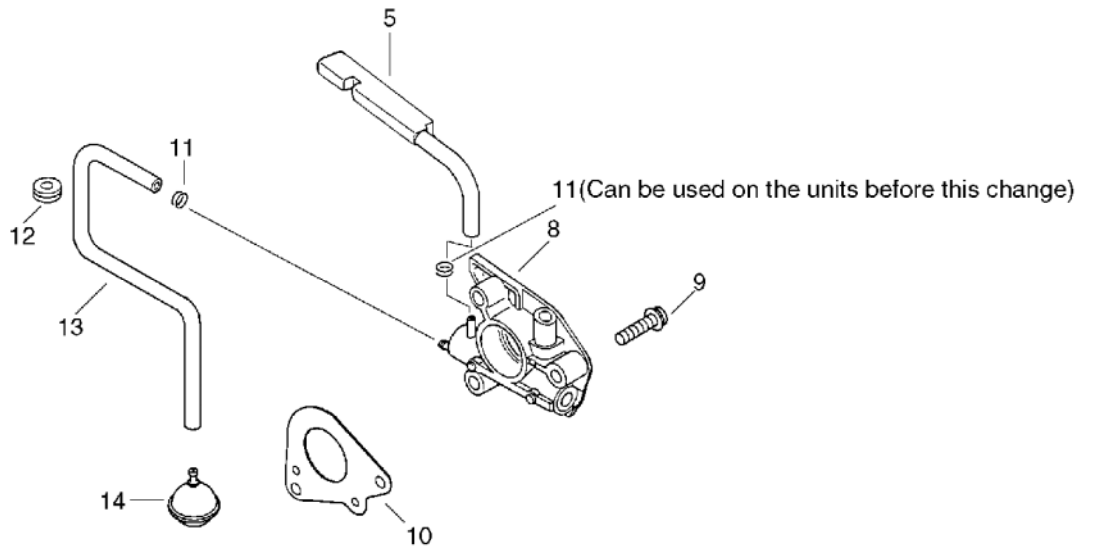
| KEY | LV | PART NUMBER | Q'TY | DESCRIPTION | REMARKS | NOTE1 | NOTE2 |
|-----|----|--------------|------|---------------------|---------|-------------------------|-------|
| 33 | + | 132013-26630 | 1 | CLIP | 6.5MM | Sr/Nr 501671 and after | |
| 34 | + | 131328-40630 | 1 | COVER, VENT | | | |
| 35 | + | 131300-40630 | 1 | VALVE, CHECK | | Sus. by 131300-56430 | |
| 35 | + | 131300-56430 | 1 | VALVE, CHECK | | | |
| 13 | | 178302-12330 | 1 | LATCH, THROTTLE | | | |
| 14 | | 131004-37931 | 1 | CAP ASSY, FUEL TANK | | Sus. by 131004-37932 | |
| 14 | | 131004-37932 | 1 | CAP ASY, FUEL | | | |
| 15 | + | 131051-19830 | 1 | LINK | 60L | Sus. by A365-000050 | |
| 15 | + | A365-000050 | 1 | CONNECTOR,CAP | | | |
| 16 | + | 900720-00022 | 1 | O-RING 22 | P-22 | | |
| 17 | | 132115-04920 | 1 | GROMMET | | | |
| 18 | | 132010-38330 | 1 | PIPE, FUEL | 3*6 | Sus. by 132010-38331 | |
| 18 | | 132010-38331 | 1 | PIPE | 3*6*165 | | |
| 19 | | 131205-30830 | 1 | STRAINER, FUEL | | Sus. by 131205-19830 | |
| 19 | | 131205-19830 | 1 | STRAINER, FUEL | | | |
| 20 | | 132013-26630 | 1 | CLIP | 6.5MM | | |
| 21 | | 131314-35430 | 1 | VALVE, CHECK | | Sr/Nr 005470 and before | |
| 22 | | 100921-38330 | 2 | CUSHION | | | |
| 23 | | 100915-32530 | 2 | BOLT | | | |

5. Handle



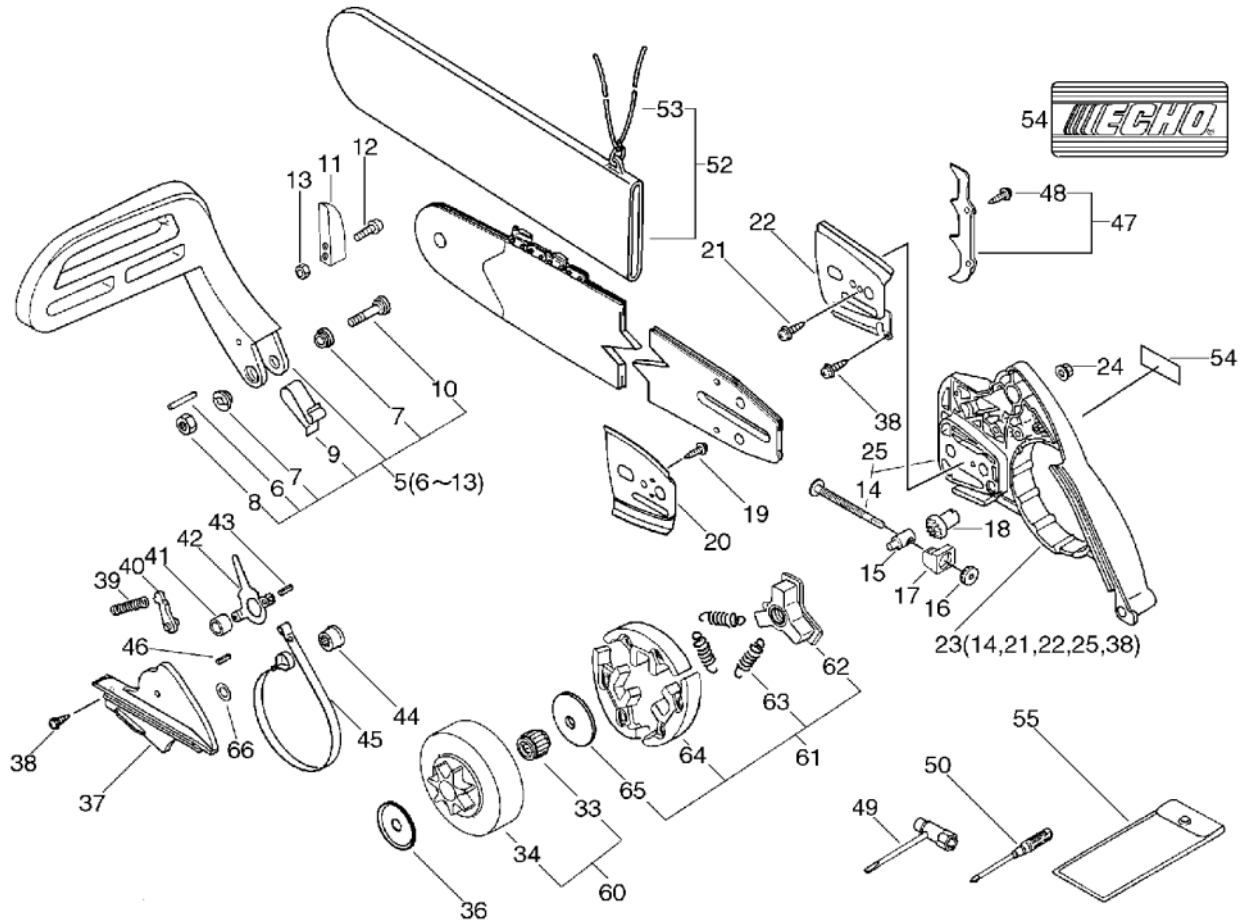
| KEY | LV | PART NUMBER | Q'TY | DESCRIPTION | REMARKS | NOTE1 | NOTE2 |
|-----|----|--------------|------|-----------------|---------|---------------------|-------|
| 24 | | 100918-38330 | 2 | CAP, CUSHION | | | |
| 25 | | 100910-38330 | 2 | CUSHION | | | |
| 26 | | 351606-38330 | 1 | HANDLE, FRONT | | | |
| 27 | | 900268-05020 | 2 | SCREW 5*20 | 5*20 | Sus. by 91145-05020 | |
| 27 | | 91145-05020 | 2 | BOLT HS TAPPING | 5*20 | | |
| 28 | | 900253-05016 | 2 | SCREW | 5*16 | Sus. by 91145-05016 | |
| 28 | | 91145-05016 | 2 | BOLT HS TAPPING | 5*16 | | |

6. Auto-Oiler



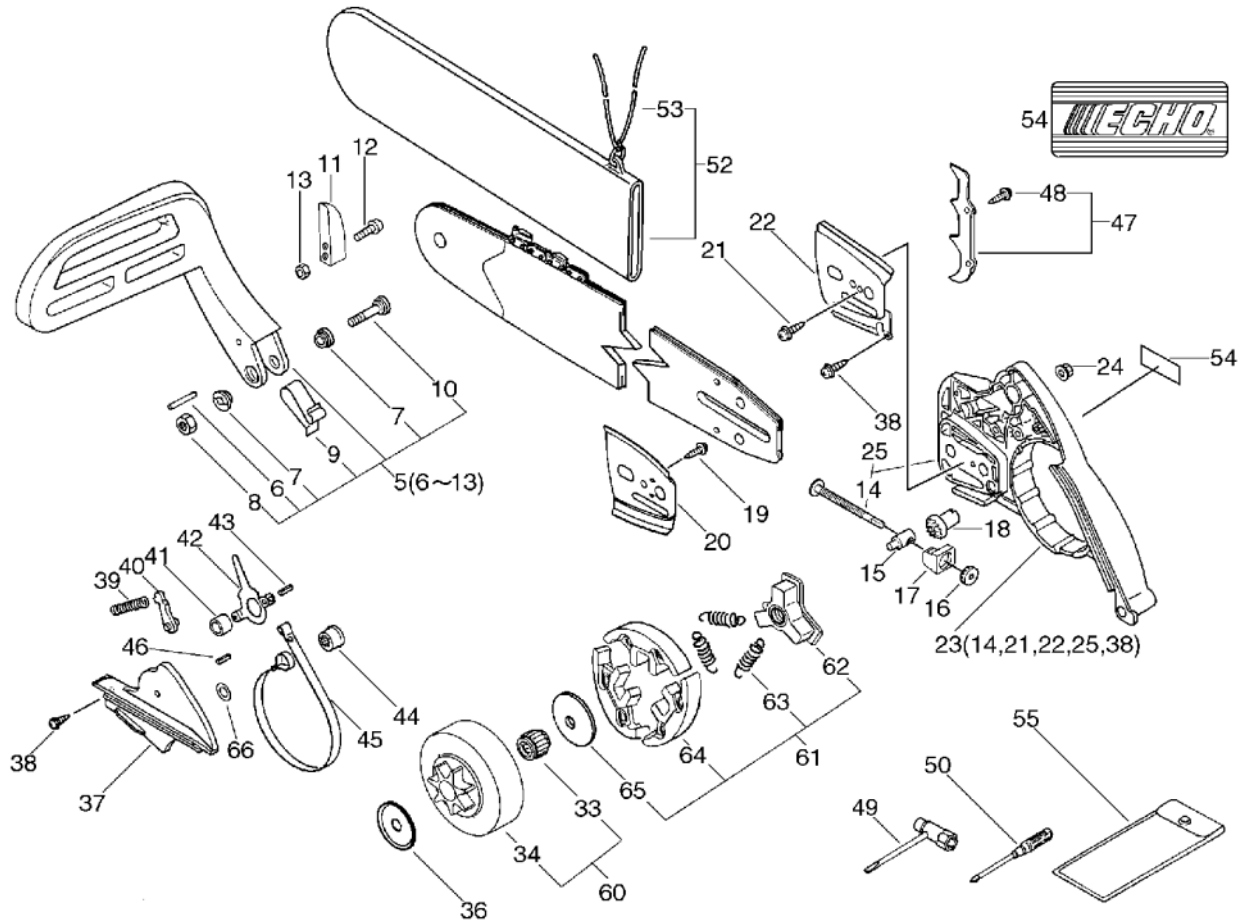
| KEY | LV | PART NUMBER | Q'TY | DESCRIPTION | REMARKS | NOTE1 | NOTE2 |
|-----|----|--------------|------|-----------------|---------|-----------------------------|-------|
| 5 | | 437229-38331 | 1 | PIPE | | | |
| 8 | | 437002-38330 | 1 | AUTO-OILER ASSY | | | |
| 9 | | 900238-04016 | 2 | SCREW 4*16 | 4*16 | Sus. by 900223-04016 | |
| 9 | | 900223-04016 | 2 | SCREW | 4*16 | | |
| 10 | | 175310-38330 | 1 | PLATE, SEAL | | | |
| 11 | | 132013-26630 | 2 | CLIP | 6.5MM | Sus. by 132013-26630 Q'TY:1 | |
| 11 | | 132013-26630 | 1 | CLIP | 6.5MM | | |
| 12 | | 132115-12330 | 1 | GROMMET | | | |
| 13 | | 437210-38330 | 1 | PIPE, OIL | | | |
| 14 | | 436205-14730 | 1 | STRAINER, OIL | | | |

7. Clutch, Sprocket, Tools(Sr/Nr 36020670 and before)



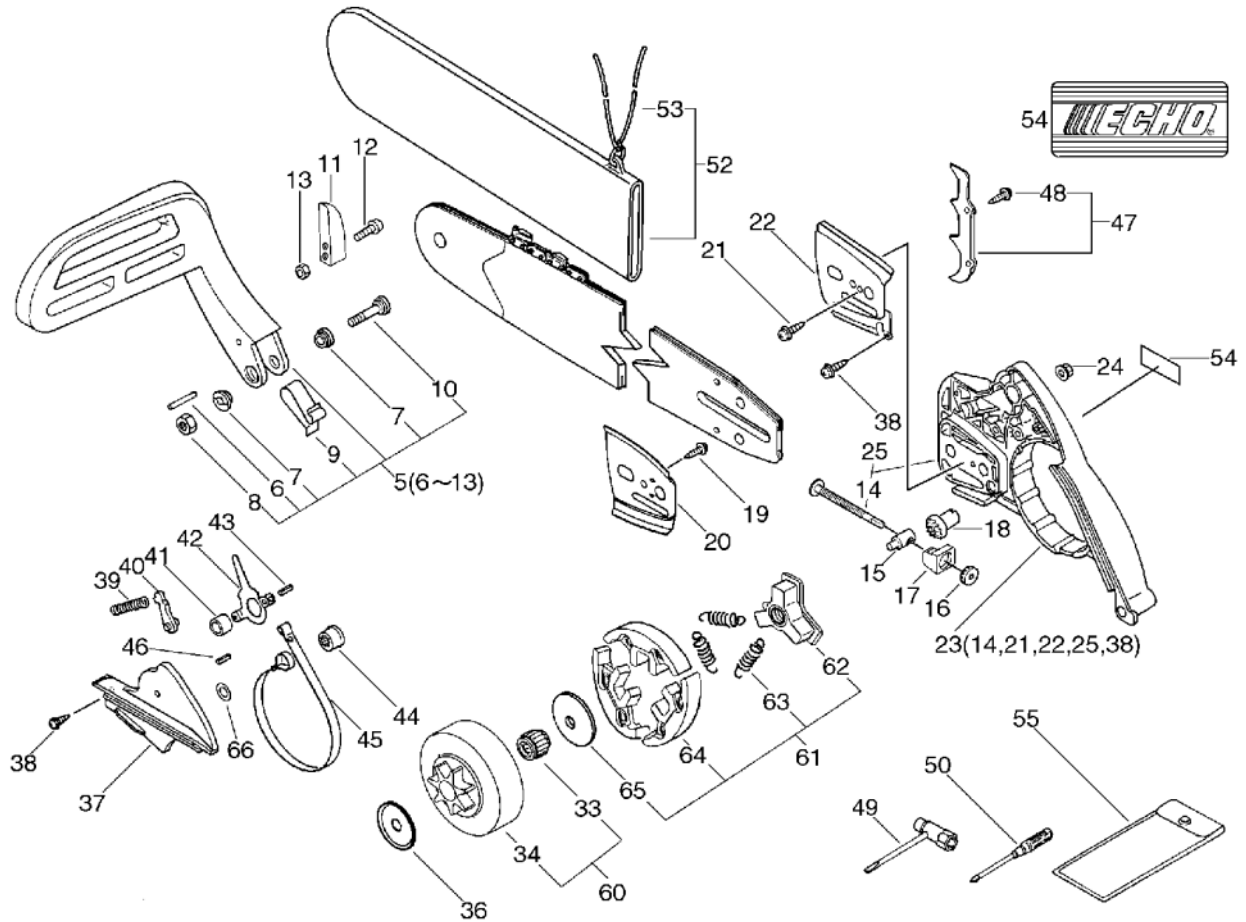
| KEY | LV | PART NUMBER | Q'TY | DESCRIPTION | REMARKS | NOTE1 | NOTE2 |
|-----|----|--------------|------|-------------------|---------|--------------------------|-------|
| 5 | | 433201-39330 | 1 | LEVER ASSY, BRAKE | | Sus. by 433201-39332 | |
| 5 | | 433201-39331 | 1 | LEVER ASSY, BRAKE | | Sus. by 433201-39332 | |
| 5 | | 433201-39332 | 1 | LEVER ASY, BRAKE | | | |
| 6 | + | 900330-30240 | 1 | PIN 3*24 | 3*23.8 | | |
| 7 | + | 433167-39130 | 2 | SPACER | | | |
| 8 | + | 900560-00005 | 1 | NUT, LOCK 5 | 5 | Sus. by 900562-50005 | |
| 8 | + | 900562-50005 | 1 | LOCKNUT 5 | 5 | | |
| 9 | + | 433114-38330 | 1 | SPRING | | Sus. by 433114-38331 | |
| 9 | + | 433114-38331 | 1 | SPRING | | | |
| 10 | + | 900209-05030 | 1 | SCREW, 5*30 | 5*30 | Sus. by 91318-05032 | |
| 10 | + | 91318-05032 | 1 | SCREW | 5*32 | | |
| 11 | + | 433171-39330 | 1 | WEIGHT, BRAKE | | | |
| 12 | + | 900238-04018 | 2 | SCREW 4*18 | 4*18 | | |
| 13 | + | 900500-00004 | 2 | NUT 4 | 4 | | |
| 14 | | V203-000040 | 1 | BOLT,5 | | Sus. by V203-000041 | |
| 14 | | V203-000041 | 1 | BOLT,5 | | Sr/Nr 517301 to 36011840 | |
| 15 | | 433014-60930 | 1 | TENSIONER, CHAIN | | Sus. by C309-000030 | |

7. Clutch, Sprocket, Tools(Sr/Nr 36020670 and before)



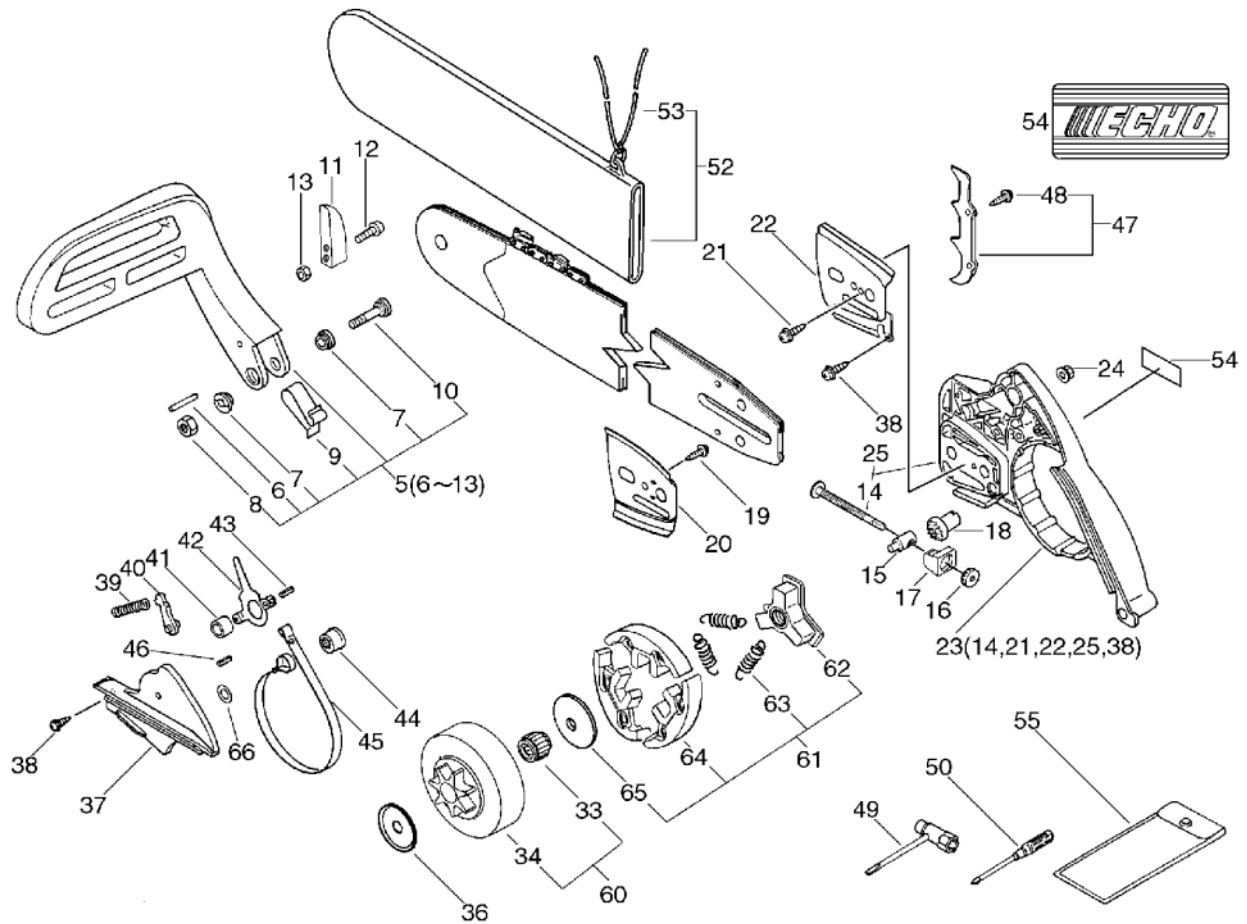
| KEY | LV | PART NUMBER | Q'TY | DESCRIPTION | REMARKS | NOTE1 | NOTE2 |
|-----|----|--------------|------|----------------------|---------|-------------------------|-------|
| 15 | | C309-000030 | 1 | TENSIONER,CHAIN | | Sr/Nr 517301 and after | |
| 16 | | V651-000010 | 1 | GEAR,BEVEL | | Sus. by V651-000011 | |
| 16 | | V651-000011 | 1 | GEAR,BEVEL | | Sr/Nr 517301 and after | |
| 17 | | V355-000030 | 1 | COLLAR,8 | | Sus. by V355-000270 | |
| 17 | | V355-000270 | 1 | COLLAR,8 | | Sr/Nr 517301 and after | |
| 18 | | V651-000000 | 1 | GEAR,BEVEL | | Sus. by V651-000001 | |
| 18 | | V651-000001 | 1 | GEAR,BEVEL | | Sr/Nr 517301 and after | |
| 19 | | 900220-04006 | 1 | SCREW 4*6 | 4*6 | | |
| 20 | | 433013-35431 | 1 | PLATE, GUIDE (INNER) | | Sus. by 433013-35432 | |
| 22 | | 433012-38330 | 1 | PLATE, SPROCK. GUARD | | Sr/Nr 514840 and before | |
| 25 | | 433005-38930 | 1 | GUARD, SPROCKET | | Sus. by P021-001290 | |
| 23 | | P021-000480 | 1 | SPROCKET GUARD KIT | | Sus. by P021-001290 | |
| 23 | | P021-000481 | 1 | SPROCKET GUARD KIT | | Sus. by P021-001290 | |

7. Clutch, Sprocket, Tools(Sr/Nr 36020670 and before)



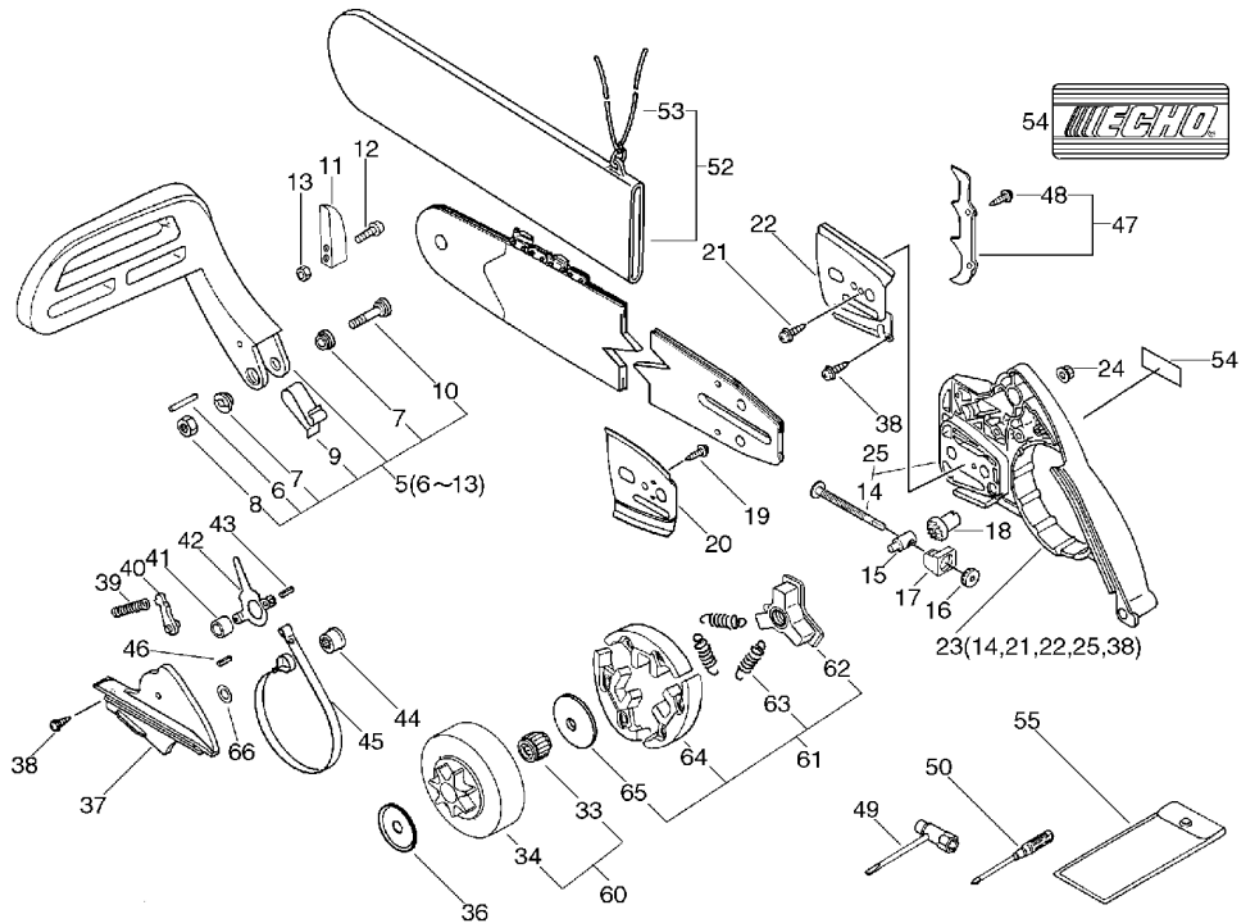
| KEY | LV | PART NUMBER | Q'TY | DESCRIPTION | REMARKS | NOTE1 | NOTE2 |
|-----|----|--------------|------|----------------------|---------|---|-------|
| 25 | | 433005-38931 | 1 | GUARD, SPROCKET | | Sus. by P021-001290 | |
| 25 | | 433005-38932 | 1 | GUARD, SPROCKET | | Sus. by P021-001290 | |
| 23 | | P021-001290 | 1 | GUARD,SPROCKET SET | | Sr/Nr 36011840 and before | |
| 23 | | P021-001291 | 1 | GUARD,SPROCKET SET | | Sus. by P021-001292 | |
| 21 | + | 900220-03006 | 1 | SCREW 3*6 | 3*6 | | |
| 22 | + | C305-000000 | 1 | PLATE,SPROCKET GUARD | | Sus. by C305-000001 | |
| 22 | + | C305-000001 | 1 | PLATE,SPROCKET GUARD | | Sr/Nr 514841 and after | |
| 25 | + | 433005-38933 | 1 | GUARD, SPROCKET | | Sr/Nr 520222 to 36011840 | |
| 25 | + | P021-010160 | 1 | GUARD, SPROCKET KIT | | Sr/Nr 36011841 and after | |
| 14 | ++ | V203-000110 | 1 | BOLT,5 | | Sr/Nr 36011841 and after | |
| 38 | + | 900253-04010 | 1 | SCREW 4*10 | 4*10 | Sr/Nr 514841 and after | |
| 55 | + | V162-000020 | 1 | PLUG | | Can be needed for non-side-access type models | |
| 24 | | 433019-12330 | 2 | NUT, FLANGE 8 | M-8 | | |

7. Clutch, Sprocket, Tools(Sr/Nr 36020670 and before)



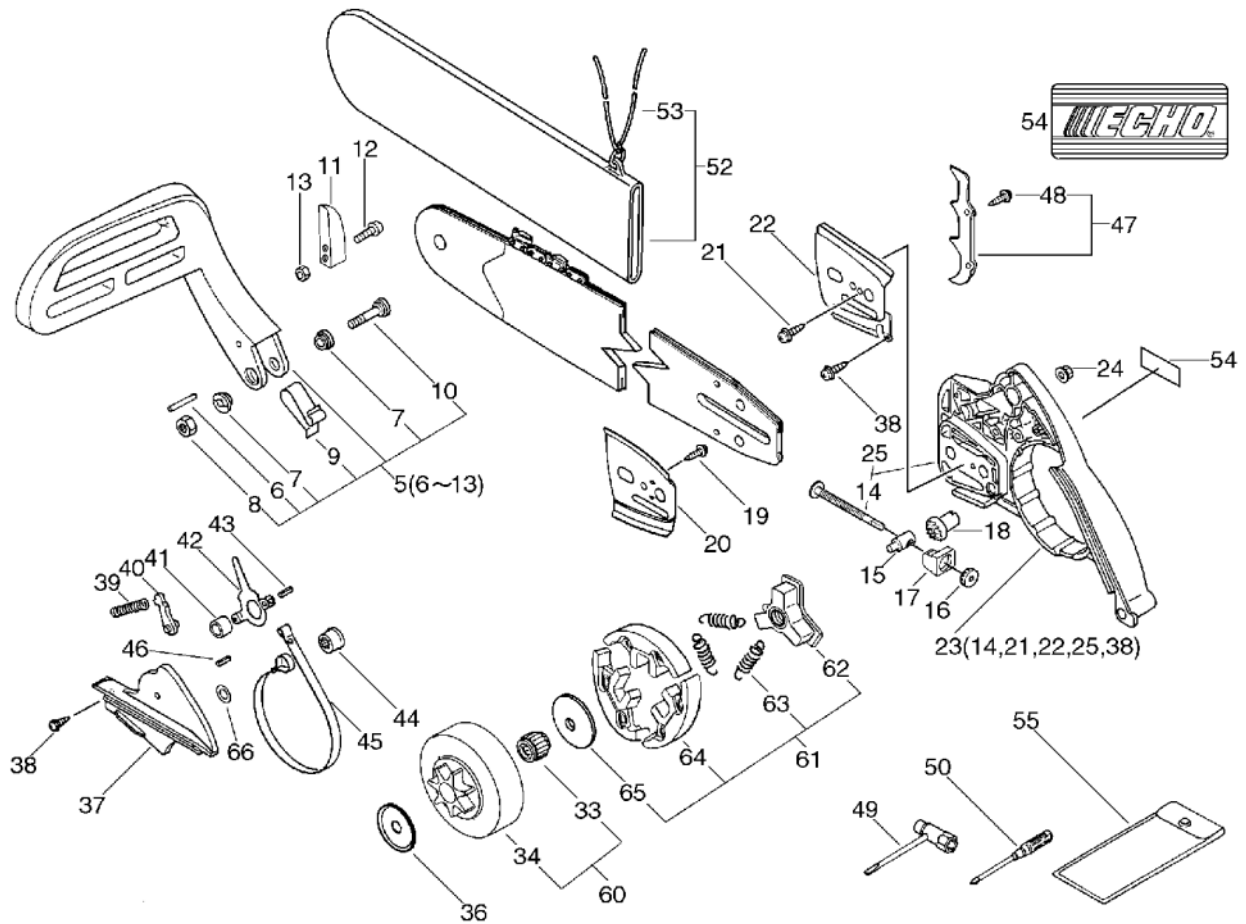
| KEY | LV | PART NUMBER | Q'TY | DESCRIPTION | REMARKS | NOTE1 | NOTE2 |
|-----|----|--------------|------|----------------|---------|-------------------------|-------|
| 26 | | 175000-35431 | 1 | CLUTCH ASSY | | Sr/Nr 601000 and before | |
| 27 | + | 175062-35430 | 3 | SPACER | | Sr/Nr 601000 and before | |
| 28 | + | 175019-19830 | 3 | PLATE, CLUTCH | | Sr/Nr 601000 and before | |
| 29 | + | 175016-35430 | 1 | HUB, CLUTCH | | Sr/Nr 601000 and before | |
| 30 | + | 175018-19830 | 1 | SPRING, CLUTCH | | Sr/Nr 601000 and before | |
| 31 | + | 175002-19830 | 1 | SHOE, CLUTCH | | Sr/Nr 601000 and before | |
| 32 | + | 900105-04006 | 6 | BOLT, H.S. 4*6 | 4*6 | Sr/Nr 601000 and before | |
| 26 | | 175000-59530 | 1 | CLUTCH ASY | | Sr/Nr 601001 to 612390 | |
| 27 | + | 175016-59530 | 1 | HUB, CLUTCH | | Sr/Nr 601001 to 612390 | |
| 28 | + | 175018-59530 | 1 | SPRING, CLUTCH | | Sr/Nr 601001 to 612390 | |
| 29 | + | 175002-59530 | 1 | SHOE, CLUTCH | | Sr/Nr 601001 to 612390 | |
| 30 | + | 175022-59530 | 3 | SPRING,FLAT | | Sr/Nr 601001 to 612390 | |
| 31 | | 175019-59530 | 1 | PLATE, CLUTCH | | Sr/Nr 601001 to 612390 | |

7. Clutch, Sprocket, Tools(Sr/Nr 36020670 and before)



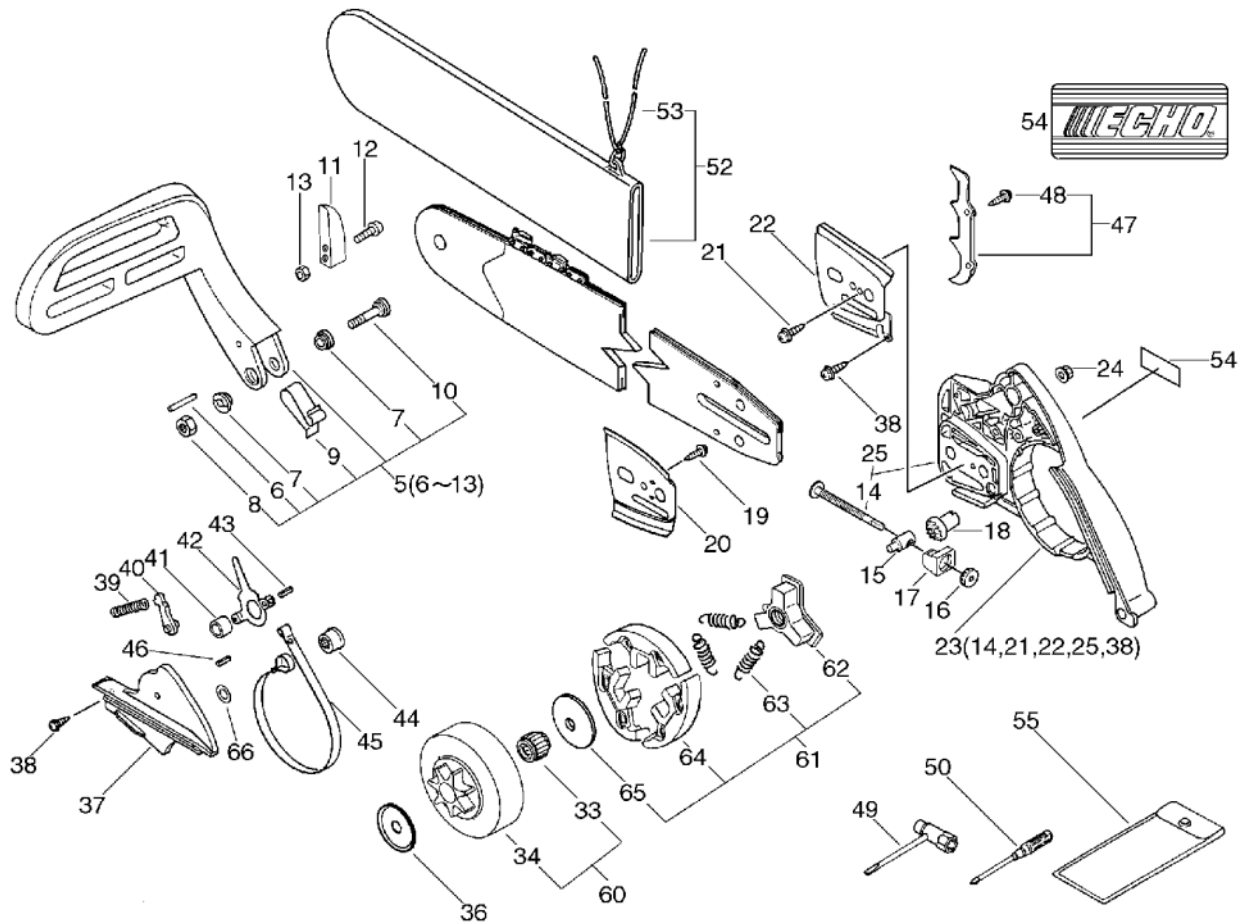
| KEY | LV | PART NUMBER | Q'TY | DESCRIPTION | REMARKS | NOTE1 | NOTE2 |
|-----|----|--------------|------|---------------------|-----------|---------------------------|-------|
| 33 | | 175012-14630 | 1 | BEARING, NEEDLE | | | |
| 34 | | 175105-35430 | 1 | DRUM, CLUTCH | | Sus. by A556-000170 | |
| 34 | | A556-000170 | 1 | DRUM,CLUTCH | 325-7 | | |
| 35 | | 175114-12530 | 1 | SPROCKET, RIM .325 | | Sr/Nr 601000 and before | |
| 36 | | 175019-38330 | 1 | PLATE, CLUTCH | | | |
| 37 | | 433310-38330 | 1 | COVER, BRAKE | | | |
| 38 | | 900253-04010 | 2 | SCREW 4*10 | 4*10 | | |
| 39 | | 433122-35430 | 1 | SPRING, BRAKE | | | |
| 40 | | 433209-35430 | 1 | STOPPER, BRAKE | | | |
| 41 | | 433115-38330 | 1 | WASHER 5.2*12*14 | 5.2*12*14 | | |
| 42 | | 433208-35431 | 1 | LEVER, BRAKE | | | |
| 43 | | 900330-40088 | 1 | ROLLER 4*8.8 | 4*8.8 | | |
| 44 | | 433142-35430 | 1 | ADJUSTER, BRAKE | | | |
| 45 | | 433123-35430 | 1 | BAND, BRAKE | | | |
| 46 | | 900342-25012 | 1 | PIN, SPRING 2.5*12 | 2.5*12 | | |
| 47 | | 880200-38330 | 1 | BUMPER, SPIKED KIT | | | |
| 48 | + | 900105-05012 | 2 | BOLT, H.S. 5*12 | 5*12 | | |
| 49 | | 895410-02830 | 1 | WRENCH, W/S. DRIVER | | | |
| 50 | | 895811-00130 | 1 | DRIVER, SCREW 125 | | | |
| 51 | | 890316-39130 | 1 | LABEL, CAUTION | | Sr/Nr 36008061 and before | |
| 52 | | 898548-14531 | 1 | SCABBARD, CHAIN | | | |
| 53 | + | 898568-14530 | 1 | ROPE | 5*900 | | |
| 54 | | X502-000000 | 1 | LABEL,ECHO | | | |

7. Clutch, Sprocket, Tools(Sr/Nr 36020670 and before)



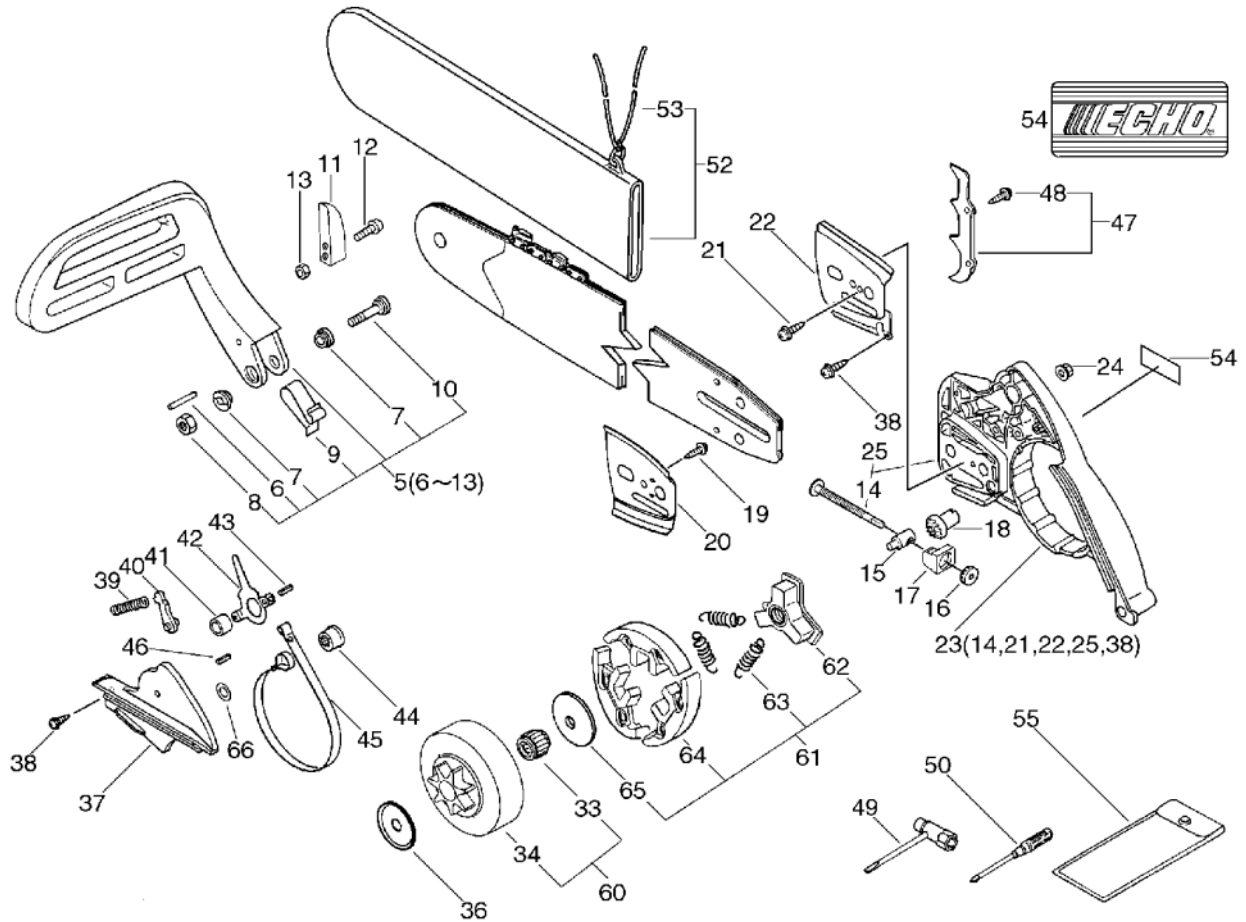
| KEY | LV | PART NUMBER | Q'TY | DESCRIPTION | REMARKS | NOTE1 | NOTE2 |
|-----|----|--------------|------|--------------------|---------|--------------------------|-------|
| 55 | | 898510-39130 | 1 | BAG, TOOL | | | |
| 61 | | P021-007060 | 1 | CLUTCH ASY W/PLATE | | Sr/Nr 612391 and after | |
| 62 | + | A552-000060 | 1 | HUB,CLUTCH | | Sr/Nr 612391 and after | |
| 63 | + | V451-000500 | 3 | SPRING,TENSION | | Sr/Nr 612391 and after | |
| 64 | + | P021-007050 | 1 | CLUTCH SHOE SET | | Sr/Nr 612391 and after | |
| 65 | + | 175019-39430 | 1 | PLATE, CLUTCH | | Sr/Nr 612391 and after | |
| 66 | | V304-000090 | 1 | WASHER,CIRCULAR 6 | | Sr/Nr 36002761 and after | |

8. Clutch, Sprocket, Tools(Sr/Nr 36020671 and after)



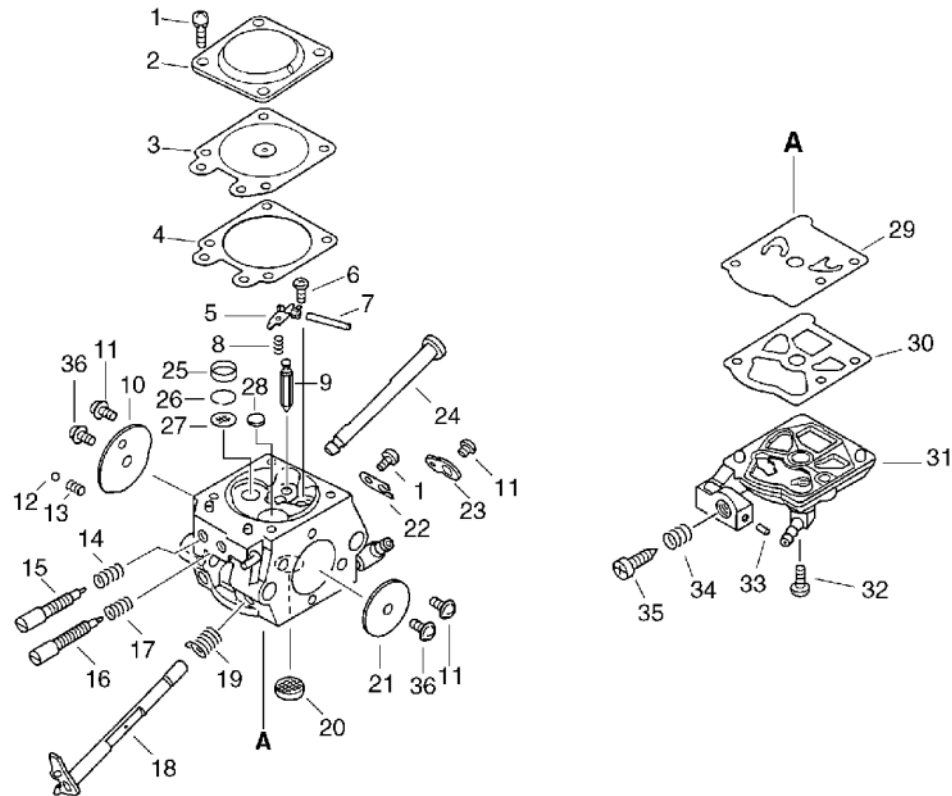
| KEY | LV | PART NUMBER | Q'TY | DESCRIPTION | REMARKS | NOTE1 | NOTE2 |
|-----|----|--------------|------|----------------------|---------|-------|-------|
| 5 | | 433201-39332 | 1 | LEVER ASY, BRAKE | | | |
| 6 | + | 900330-30240 | 1 | PIN 3*24 | 3*23.8 | | |
| 7 | + | 433167-39130 | 2 | SPACER | | | |
| 8 | + | 900562-50005 | 1 | LOCKNUT 5 | 5 | | |
| 9 | + | 433114-38331 | 1 | SPRING | | | |
| 10 | + | 91318-05032 | 1 | SCREW | 5*32 | | |
| 11 | + | 433171-39330 | 1 | WEIGHT, BRAKE | | | |
| 12 | + | 900238-04018 | 2 | SCREW 4*18 | 4*18 | | |
| 13 | + | 900500-00004 | 2 | NUT 4 | 4 | | |
| 15 | | C309-000030 | 1 | TENSIONER,CHAIN | | | |
| 16 | | V651-000011 | 1 | GEAR,BEVEL | | | |
| 17 | | V355-000270 | 1 | COLLAR,8 | | | |
| 18 | | V651-000001 | 1 | GEAR,BEVEL | | | |
| 19 | | 900220-04006 | 1 | SCREW 4*6 | 4*6 | | |
| 20 | | 433013-35432 | 1 | PLATE, GUIDE (INNER) | | | |
| 23 | | P021-001292 | 1 | GUARD,SPROCKET SET | | | |
| 21 | + | 900220-03006 | 1 | SCREW 3*6 | 3*6 | | |
| 22 | + | C305-000001 | 1 | PLATE,SPROCKET GUARD | | | |
| 25 | + | P021-010161 | 1 | GUARD, SPROCKET KIT | | | |
| 14 | ++ | V203-000110 | 1 | BOLT,5 | | | |
| 38 | + | 900253-04010 | 1 | SCREW 4*10 | 4*10 | | |
| 24 | | 433019-12330 | 2 | NUT, FLANGE 8 | M-8 | | |
| 60 | | P021-006060 | 1 | DRUM,CLUTCH SET | | | |
| 33 | + | 175012-00831 | 1 | BEARING, NEEDLE | | | |
| 34 | + | A556-000171 | 1 | DRUM,CLUTCH | | | |
| 36 | | 175019-38330 | 1 | PLATE, CLUTCH | | | |

8. Clutch, Sprocket, Tools(Sr/Nr 36020671 and after)



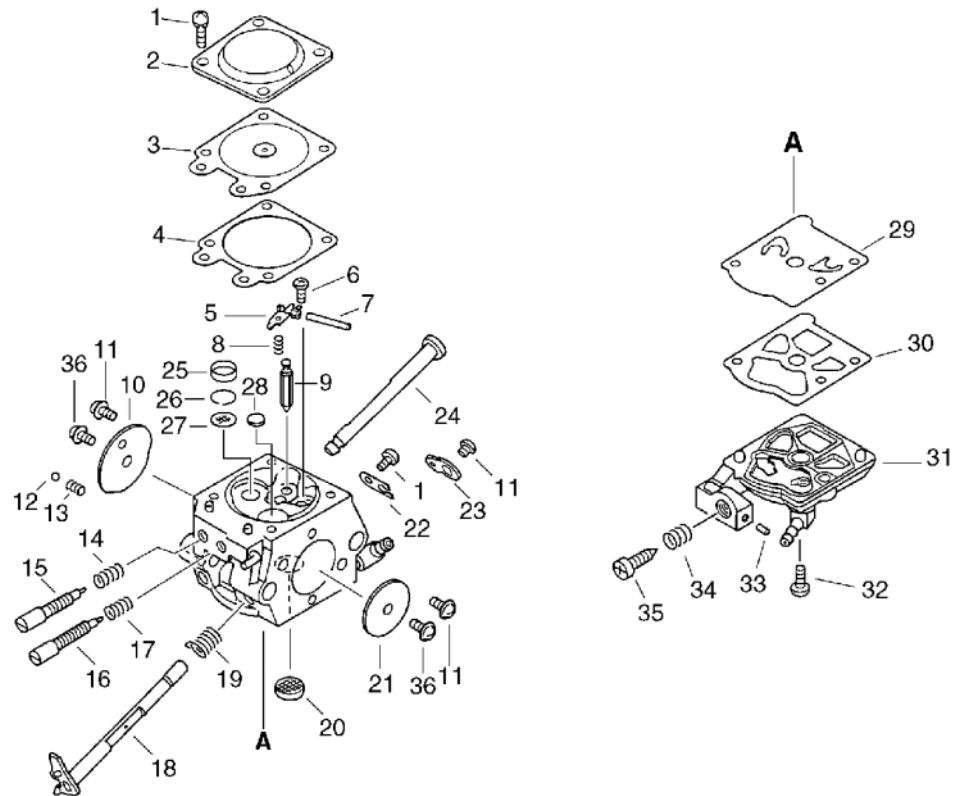
| KEY | LV | PART NUMBER | Q'TY | DESCRIPTION | REMARKS | NOTE1 | NOTE2 |
|-----|----|--------------|------|---------------------|-----------|-------|-------|
| 37 | | 433310-38330 | 1 | COVER, BRAKE | | | |
| 38 | | 900253-04010 | 2 | SCREW 4*10 | 4*10 | | |
| 39 | | 433122-35430 | 1 | SPRING, BRAKE | | | |
| 40 | | 433209-35430 | 1 | STOPPER, BRAKE | | | |
| 41 | | 433115-38330 | 1 | WASHER 5.2*12*14 | 5.2*12*14 | | |
| 42 | | 433208-35431 | 1 | LEVER, BRAKE | | | |
| 43 | | 900330-40088 | 1 | ROLLER 4*8.8 | 4*8.8 | | |
| 44 | | 433142-35430 | 1 | ADJUSTER, BRAKE | | | |
| 45 | | C328-000060 | 1 | BAND, BRAKE | | | |
| 46 | | 900342-25012 | 1 | PIN, SPRING 2.5*12 | 2.5*12 | | |
| 47 | | 880200-38330 | 1 | BUMPER, SPIKED KIT | | | |
| 48 | + | 900105-05012 | 2 | BOLT, H.S. 5*12 | 5*12 | | |
| 49 | | 895410-02830 | 1 | WRENCH, W/S. DRIVER | | | |
| 50 | | 895811-00130 | 1 | DRIVER, SCREW 125 | | | |
| 52 | | 898548-14531 | 1 | SCABBARD, CHAIN | | | |
| 53 | + | 898568-14530 | 1 | ROPE | 5*900 | | |
| 54 | | X502-000000 | 1 | LABEL, ECHO | | | |
| 55 | | 898510-39130 | 1 | BAG, TOOL | | | |
| 61 | | P021-007060 | 1 | CLUTCH ASY W/PLATE | | | |
| 62 | + | A552-000060 | 1 | HUB, CLUTCH | | | |
| 63 | + | V451-000500 | 3 | SPRING, TENSION | | | |
| 64 | + | P021-007050 | 1 | CLUTCH SHOE SET | | | |
| 65 | + | 175019-39430 | 1 | PLATE, CLUTCH | | | |
| 66 | | V304-000090 | 1 | WASHER, CIRCULAR 6 | | | |

9. Carburetor(Sr/Nr 613855 and before)



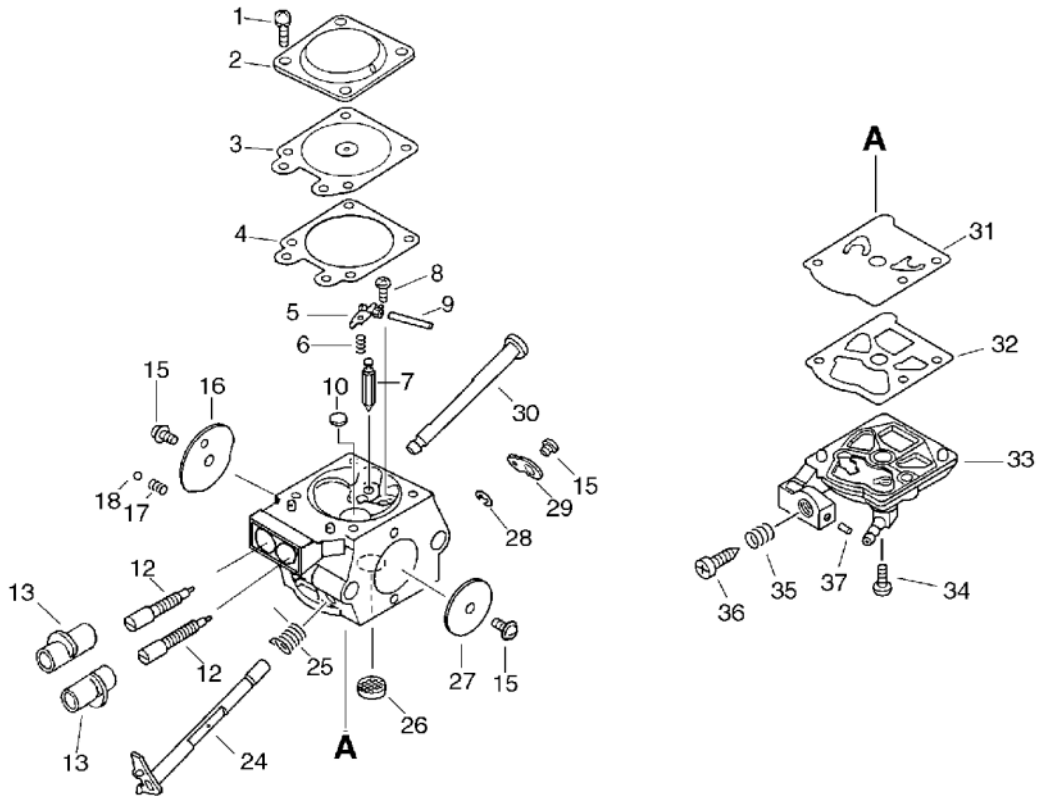
| KEY | LV | PART NUMBER | Q'TY | DESCRIPTION | REMARKS | NOTE1 | NOTE2 |
|-----|----|--------------|------|----------------------|---------|-------------------------|-------|
| | | 123000-38331 | 1 | CARBURETOR ASSY | WT-201A | Sus. by 123000-38332 | |
| | | 123000-38332 | 1 | CARBURETOR ASSY | WT-201B | | |
| 1 | + | 123130-02960 | 5 | SCREW | | | |
| 2 | + | 123142-03930 | 1 | COVER, M. DIAPHRAGM | | | |
| 3 | + | 123141-03930 | 1 | DIAPHRAGM, METERING | | | |
| 4 | + | 123140-03930 | 1 | GASKET, M. DIAPHRAGM | | | |
| 5 | + | 123123-03930 | 1 | LEVER, METERING | | Sus. by 123123-38330 | |
| 5 | + | 123123-38330 | 1 | LEVER, METERING | | | |
| 6 | + | 123139-03930 | 1 | SCREW, M. LEVER PIN | | | |
| 7 | + | 123138-03930 | 1 | PIN, METERING LEVER | | | |
| 8 | + | 123122-11130 | 1 | SPRING, METER. LEVER | | | |
| 9 | + | 123137-19830 | 1 | VALVE, INLET NEEDLE | | | |
| 10 | + | 123132-37330 | 1 | VALVE, CHOKE | | | |
| 11 | + | 123114-03930 | 3 | SCREW | | Sr/Nr 502291 and before | |
| 11 | + | 123114-03930 | 1 | SCREW | | Sus. by 123114-38830 | |
| 11 | + | 123114-38830 | 1 | SCREW | | Sr/Nr 502292 and after | |
| 12 | + | 123136-10630 | 1 | BALL, CHOKE FRICTION | | | |
| 13 | + | 123135-10630 | 1 | SPRING, CHOKE FRICT. | | | |
| 14 | + | 123119-22130 | 1 | SPRING, NEEDLE | | | |
| 15 | + | 123120-38330 | 1 | NEEDLE, HIGH SPEED | | | |
| 16 | + | 123118-38330 | 1 | NEEDLE, IDLE | | | |

9. Carburetor(Sr/Nr 613855 and before)



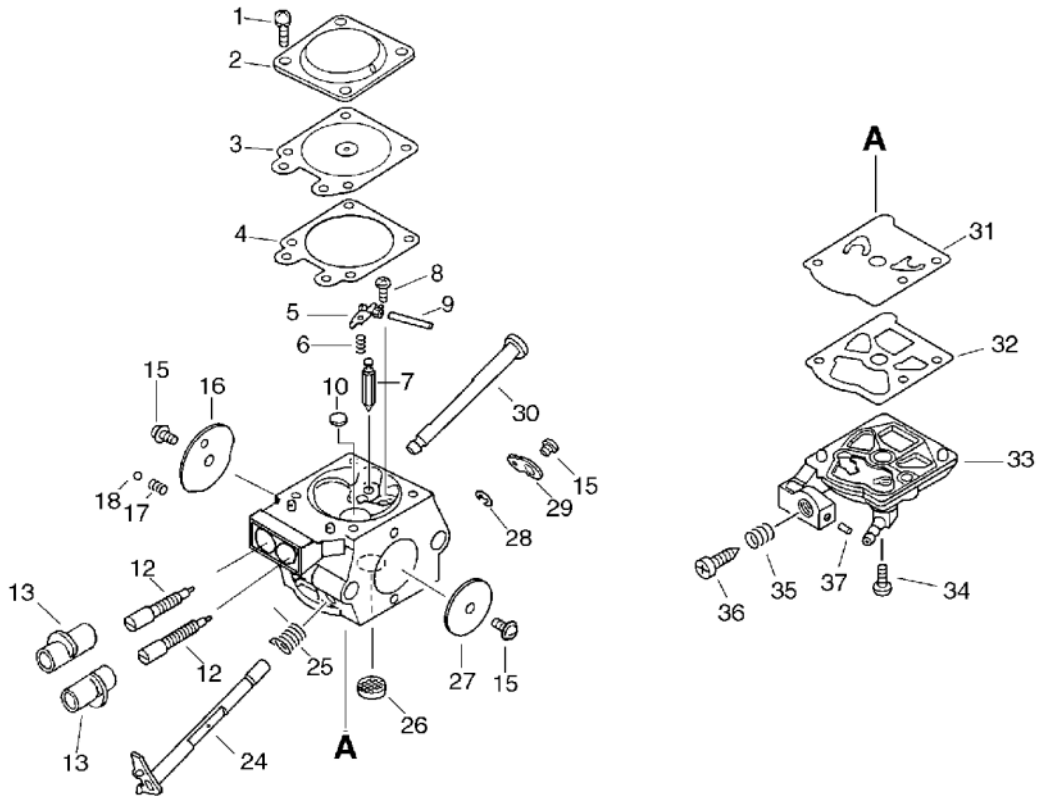
| KEY | LV | PART NUMBER | Q'TY | DESCRIPTION | REMARKS | NOTE1 | NOTE2 |
|-----|----|--------------|------|----------------------|---------|------------------------|-------|
| 17 | + | 123121-22130 | 1 | SPRING, NEEDLE | | | |
| 18 | + | 123117-38330 | 1 | SHAFT, THROTTLE | | | |
| 19 | + | 123113-37530 | 1 | SPRING, THROTTLE RTN | | | |
| 20 | + | 123126-10631 | 1 | SCREEN, INLET | | | |
| 21 | + | 123116-10530 | 1 | VALVE, THROTTLE | | | |
| 22 | + | 123127-03930 | 1 | CLIP, THROTTLE SHAFT | | | |
| 23 | + | 123150-38330 | 1 | LEVER, THROTTLE | | | |
| 24 | + | 123131-35430 | 1 | SHAFT, CHOKE | | | |
| 25 | + | 123146-17330 | 1 | PLUG, CUP | | | |
| 26 | + | 123169-10630 | 1 | RING, RETAINING | | | |
| 27 | + | 123168-10631 | 1 | SCREEN | | | |
| 28 | + | 123146-10631 | 1 | PLUG, WELCH | | | |
| 29 | + | 123112-15030 | 1 | DIAPHRAGM, FUEL PUMP | | | |
| 30 | + | 123125-15030 | 1 | GASKET, FUEL PUMP | | | |
| 31 | + | 123124-38330 | 1 | COVER, FUEL PUMP | | | |
| 32 | + | 123110-03930 | 1 | SCREW, PUMP COVER | | | |
| 33 | + | 123178-15030 | 1 | PLUG, FRICTION | | | |
| 34 | + | 123133-04260 | 1 | SPRING, IDLE ADJUST | | | |
| 35 | + | 123134-04260 | 1 | SCREW, IDLE ADJUST | | | |
| 36 | + | 123114-38830 | 2 | SCREW | | Sr/Nr 502292 and after | |

10. Carburetor(Sr/Nr 36000001 and after)



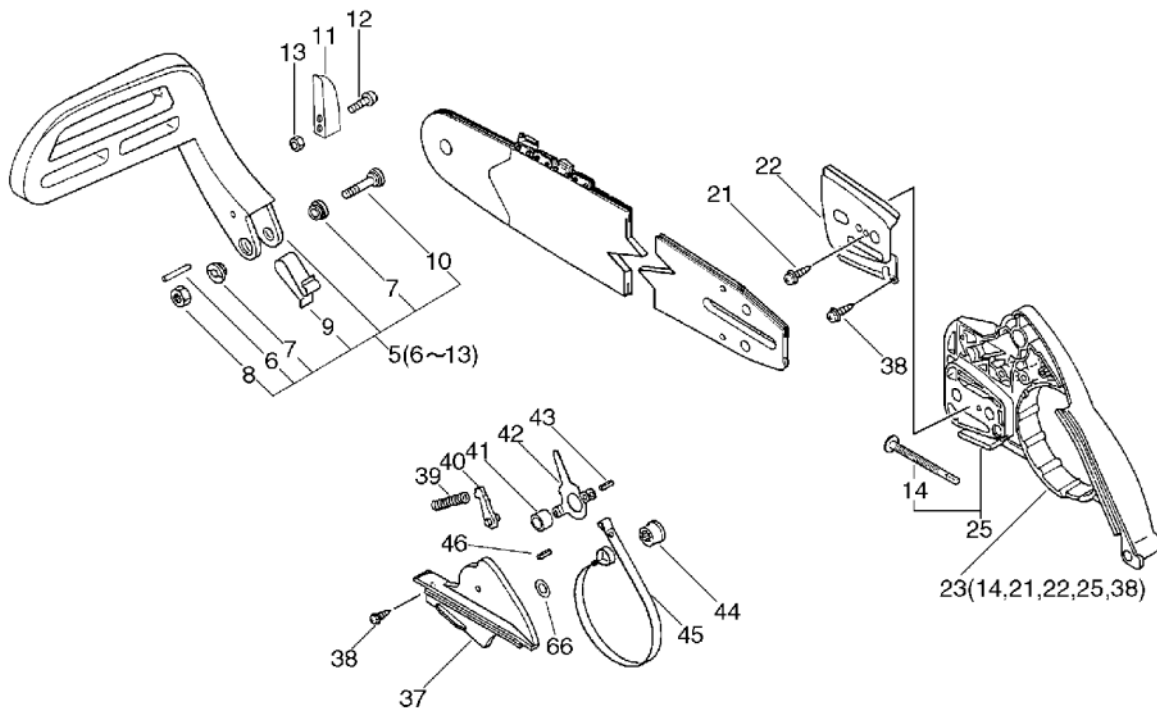
| KEY | LV | PART NUMBER | Q'TY | DESCRIPTION | REMARKS | NOTE1 | NOTE2 |
|-----|----|--------------|------|----------------------|---------|-------|-------|
| | | 123000-39333 | 1 | CARBURETOR WT-416C | WT-416C | | |
| 1 | + | 123130-02960 | 4 | SCREW | | | |
| 2 | + | 123142-03930 | 1 | COVER, M. DIAPHRAGM | | | |
| 3 | + | 123141-03930 | 1 | DIAPHRAGM, METERING | | | |
| 4 | + | 123140-03930 | 1 | GASKET, M. DIAPHRAGM | | | |
| 5 | + | 123123-03930 | 1 | LEVER, METERING | | | |
| 6 | + | 123122-39330 | 1 | SPRING, METER. LEVER | | | |
| 7 | + | 123137-19830 | 1 | VALVE, INLET NEEDLE | | | |
| 8 | + | 123139-03930 | 1 | SCREW, M. LEVER PIN | | | |
| 9 | + | 123138-03930 | 1 | PIN, METERING LEVER | | | |
| 10 | + | 123146-10631 | 1 | PLUG, WELCH | | | |
| 12 | + | 123120-03661 | 2 | NEEDLE | | | |
| 13 | + | P003-000010 | 2 | LIMITER CAP | | | |
| 15 | + | 123114-38830 | 3 | SCREW | | | |
| 16 | + | 123132-37330 | 1 | VALVE, CHOKE | | | |
| 17 | + | 123135-10630 | 1 | SPRING, CHOKE FRICT. | | | |
| 18 | + | 123136-10630 | 1 | BALL, CHOKE FRICTION | | | |
| 24 | + | 123117-39330 | 1 | SHAFT, THROTTLE | | | |
| 25 | + | 123113-37530 | 1 | SPRING, THROTTLE RTN | | | |
| 26 | + | 123126-10631 | 1 | SCREEN, INLET | | | |
| 27 | + | 123116-10530 | 1 | VALVE, THROTTLE | | | |
| 28 | + | 123127-15030 | 1 | RING | | | |
| 29 | + | 123150-38330 | 1 | LEVER, THROTTLE | | | |
| 30 | + | 123131-35430 | 1 | SHAFT, CHOKE | | | |
| 31 | + | 123112-15030 | 1 | DIAPHRAGM, FUEL PUMP | | | |
| 32 | + | 123125-15030 | 1 | GASKET, FUEL PUMP | | | |

10. Carburetor(Sr/Nr 36000001 and after)



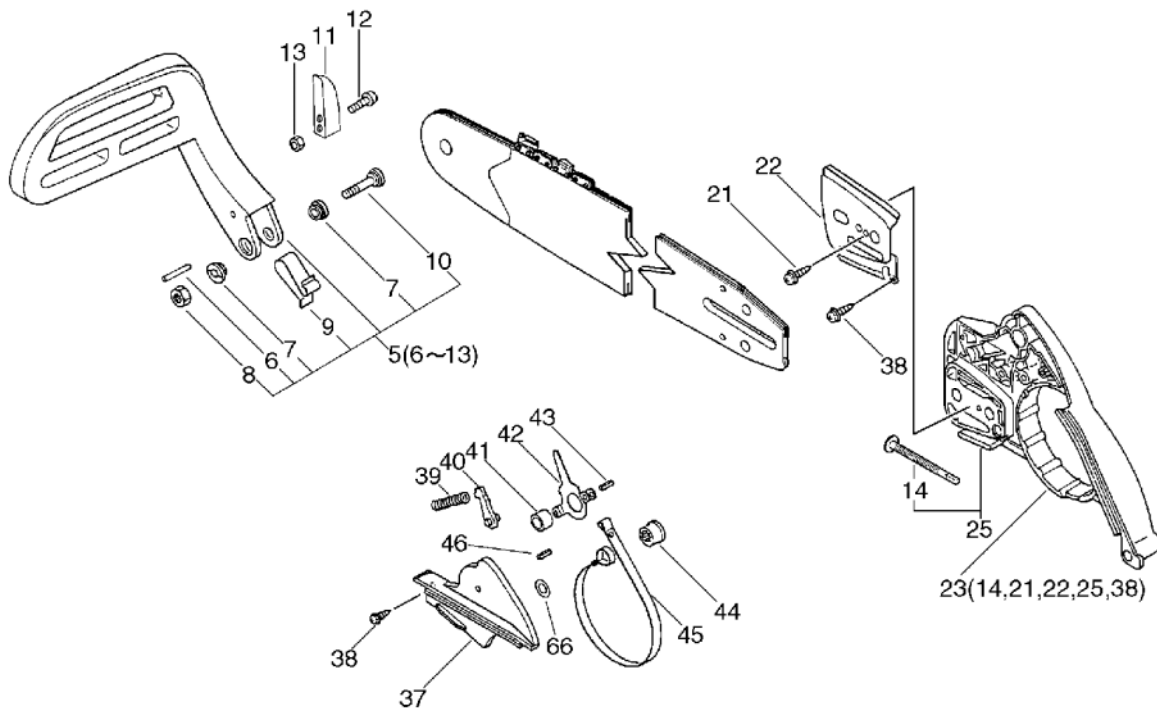
| KEY | LV | PART NUMBER | Q'TY | DESCRIPTION | REMARKS | NOTE1 | NOTE2 |
|-----|----|--------------|------|---------------------|---------|-------|-------|
| 33 | + | 123124-38330 | 1 | COVER, FUEL PUMP | | | |
| 34 | + | 123110-03930 | 1 | SCREW, PUMP COVER | | | |
| 35 | + | 123133-04260 | 1 | SPRING, IDLE ADJUST | | | |
| 36 | + | 123134-04260 | 1 | SCREW, IDLE ADJUST | | | |
| 37 | + | 123178-15030 | 1 | PLUG, FRICTION | | | |

11. Chain Brake Assy(Sr/Nr 36020670 and before)



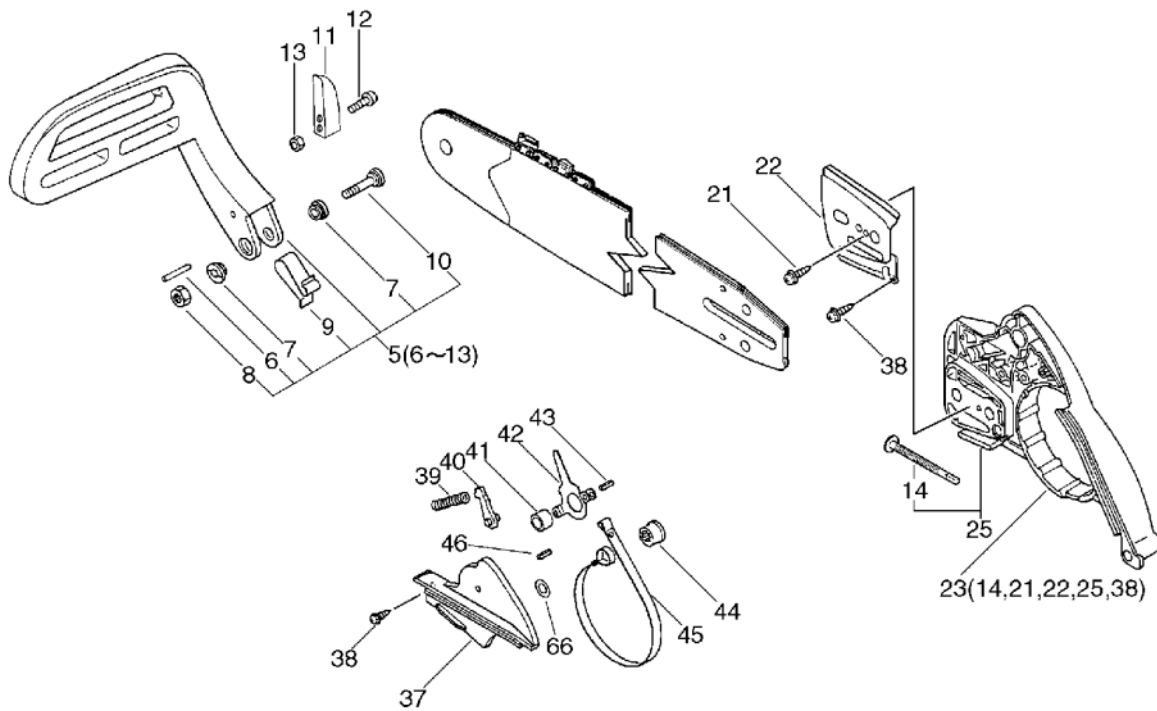
| KEY | LV | PART NUMBER | Q'TY | DESCRIPTION | REMARKS | NOTE1 | NOTE2 |
|-----|----|--------------|------|-------------------|---------|----------------------|-------|
| | | 433100-38930 | 1 | BRAKE ASSY, CHAIN | | Sus. by P021-010130 | |
| | | 433100-38931 | 1 | BRAKE ASY, CHAIN | | Sus. by P021-010130 | |
| | | 433100-38932 | 1 | BRAKE ASY, CHAIN | | Sus. by P021-010130 | |
| | | 433100-38933 | 1 | BRAKE ASY, CHAIN | | Sus. by P021-010130 | |
| | | 433100-38934 | 1 | BRAKE ASY, CHAIN | | Sus. by P021-010130 | |
| | | 433100-38935 | 1 | BRAKE ASY, CHAIN | | Sus. by P021-010130 | |
| | | 433100-38936 | 1 | BRAKE ASY, CHAIN | | Sus. by P021-010130 | |
| | | P021-010130 | 1 | BRAKE,ASM CHAIN | | Sus. by P021-010131 | |
| 5 | + | 433201-39331 | 1 | LEVER ASSY, BRAKE | | Sus. by 433201-39332 | |
| 5 | + | 433201-39332 | 1 | LEVER ASSY, BRAKE | | | |
| 6 | ++ | 900330-30240 | 1 | PIN 3*24 | 3*23.8 | | |
| 7 | ++ | 433167-39130 | 2 | SPACER | | | |
| 8 | ++ | 900560-00005 | 1 | NUT, LOCK 5 | 5 | Sus. by 900562-50005 | |
| 8 | ++ | 900562-50005 | 1 | LOCKNUT 5 | 5 | | |
| 9 | ++ | 433114-38331 | 1 | SPRING | | | |

11. Chain Brake Assy(Sr/Nr 36020670 and before)



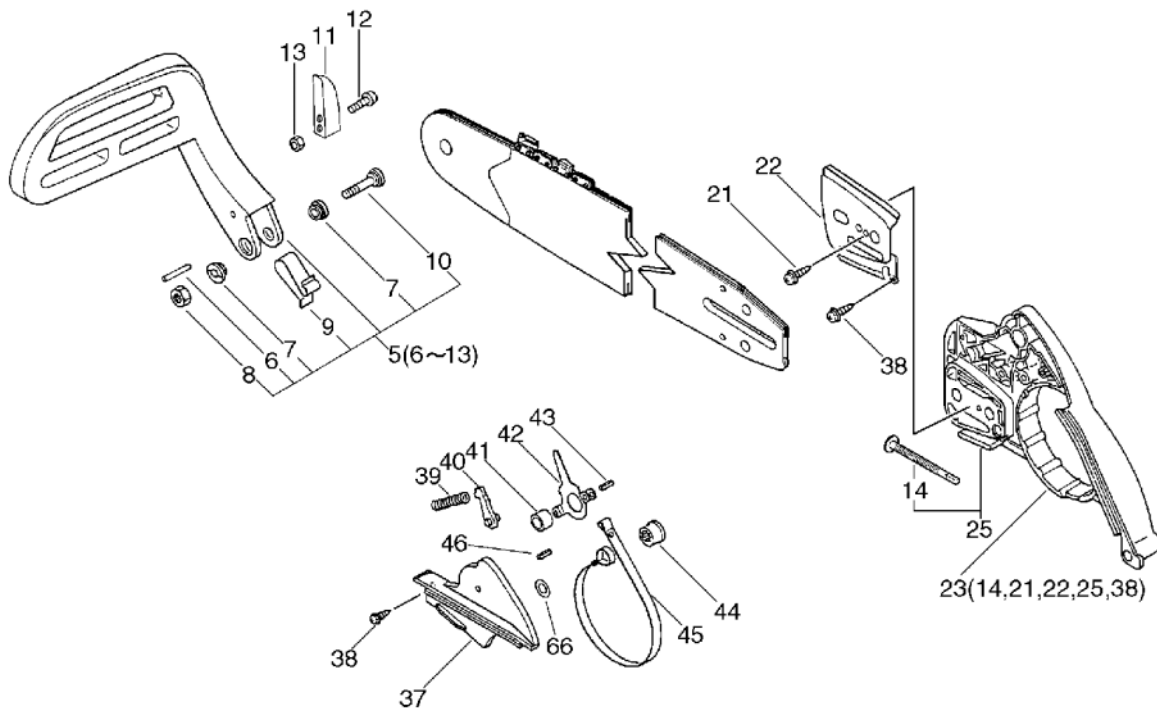
| KEY | LV | PART NUMBER | Q'TY | DESCRIPTION | REMARKS | NOTE1 | NOTE2 |
|-----|----|--------------|------|----------------------|---------|--------------------------|-------|
| 10 | ++ | 900209-05030 | 1 | SCREW, 5*30 | 5*30 | Sus. by 91318-05032 | |
| 10 | ++ | 91318-05032 | 1 | SCREW | 5*32 | | |
| 11 | ++ | 433171-39330 | 1 | WEIGHT, BRAKE | | | |
| 12 | ++ | 900238-04018 | 2 | SCREW 4*18 | 4*18 | | |
| 13 | ++ | 900500-00004 | 2 | NUT 4 | 4 | | |
| 25 | + | 433005-38930 | 1 | GUARD, SPROCKET | | Sus. by P021-001290 | |
| 23 | + | P021-000480 | 1 | SPROCKET GUARD KIT | | Sus. by P021-001290 | |
| 23 | + | P021-000481 | 1 | SPROCKET GUARD KIT | | Sus. by P021-001290 | |
| 25 | + | 433005-38931 | 1 | GUARD, SPROCKET | | Sus. by P021-001290 | |
| 25 | + | 433005-38932 | 1 | GUARD, SPROCKET | | Sus. by P021-001290 | |
| 23 | + | P021-001290 | 1 | GUARD,SPROCKET SET | | | |
| 21 | ++ | 900220-03006 | 1 | SCREW 3*6 | 3*6 | | |
| 22 | ++ | C305-000000 | 1 | PLATE,SPROCKET GUARD | | Sus. by C305-000001 | |
| 22 | ++ | C305-000001 | 1 | PLATE,SPROCKET GUARD | | Sr/Nr 514841 and after | |
| 25 | ++ | 433005-38933 | 1 | GUARD, SPROCKET | | Sr/Nr 520222 to 36011840 | |
| 25 | ++ | P021-010160 | 1 | GUARD, SPROCKET KIT | | Sr/Nr 36011841 and after | |

11. Chain Brake Assy(Sr/Nr 36020670 and before)



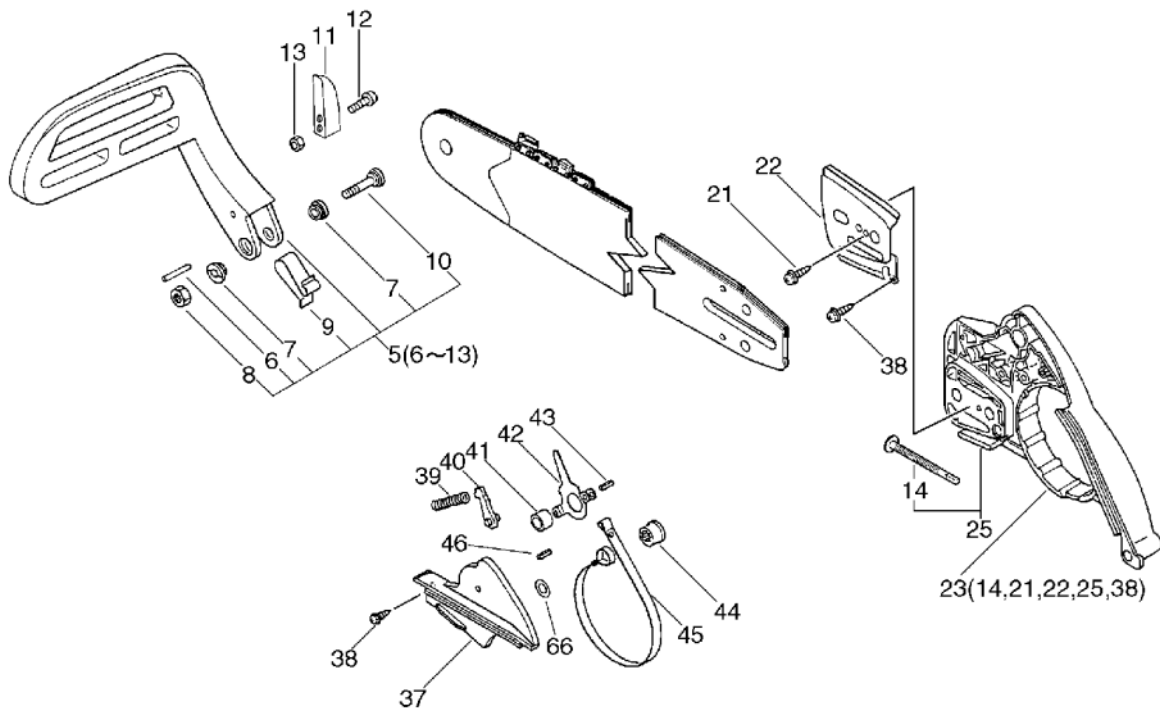
| KEY | LV | PART NUMBER | Q'TY | DESCRIPTION | REMARKS | NOTE1 | NOTE2 |
|-----|-----|--------------|------|--------------------|-----------|---|-------|
| 14 | +++ | V203-000110 | 1 | BOLT,5 | | Sr/Nr 36011841 and after | |
| 38 | ++ | 900253-04010 | 1 | SCREW 4*10 | 4*10 | Sr/Nr 514841 and after | |
| 55 | ++ | V162-000020 | 1 | PLUG | | Can be needed for non-side-access type models | |
| 37 | + | 433310-38330 | 1 | COVER, BRAKE | | | |
| 38 | + | 900253-04010 | 2 | SCREW 4*10 | 4*10 | | |
| 39 | + | 433122-35430 | 1 | SPRING, BRAKE | | | |
| 40 | + | 433209-35430 | 1 | STOPPER, BRAKE | | | |
| 41 | + | 433115-38330 | 1 | WASHER 5.2*12*14 | 5.2*12*14 | | |
| 42 | + | 433208-35431 | 1 | LEVER, BRAKE | | | |
| 43 | + | 900330-40088 | 1 | ROLLER 4*8.8 | 4*8.8 | | |
| 44 | + | 433142-35430 | 1 | ADJUSTER, BRAKE | | | |
| 45 | + | 433123-35430 | 1 | BAND, BRAKE | | Sus. by C328-000060 | |
| 45 | + | C328-000060 | 1 | BAND, BRAKE | | | |
| 46 | + | 900342-25012 | 1 | PIN, SPRING 2.5*12 | 2.5*12 | | |
| 66 | + | V304-000090 | 1 | WASHER, CIRCULAR 6 | | Sr/Nr 36002761 and after | |

12. Chain Brake Asy(Sr/Nr 36020671 and after)



| KEY | LV | PART NUMBER | Q'TY | DESCRIPTION | REMARKS | NOTE1 | NOTE2 |
|-----|-----|--------------|------|----------------------|-----------|-------|-------|
| | | P021-010131 | 1 | BRAKE,ASM CHAIN | | | |
| 5 | + | 433201-39332 | 1 | LEVER ASY, BRAKE | | | |
| 6 | ++ | 900330-30240 | 1 | PIN 3*24 | 3*23.8 | | |
| 7 | ++ | 433167-39130 | 2 | SPACER | | | |
| 8 | ++ | 900562-50005 | 1 | LOCKNUT 5 | 5 | | |
| 9 | ++ | 433114-38331 | 1 | SPRING | | | |
| 10 | ++ | 91318-05032 | 1 | SCREW | 5*32 | | |
| 11 | ++ | 433171-39330 | 1 | WEIGHT, BRAKE | | | |
| 12 | ++ | 900238-04018 | 2 | SCREW 4*18 | 4*18 | | |
| 13 | ++ | 900500-00004 | 2 | NUT 4 | 4 | | |
| 23 | + | P021-001290 | 1 | GUARD,SPROCKET SET | | | |
| 21 | ++ | 900220-03006 | 1 | SCREW 3*6 | 3*6 | | |
| 22 | ++ | C305-000001 | 1 | PLATE,SPROCKET GUARD | | | |
| 25 | ++ | P021-010160 | 1 | GUARD, SPROCKET KIT | | | |
| 14 | +++ | V203-000110 | 1 | BOLT,5 | | | |
| 38 | ++ | 900253-04010 | 1 | SCREW 4*10 | 4*10 | | |
| 37 | + | 433310-38330 | 1 | COVER, BRAKE | | | |
| 38 | + | 900253-04010 | 2 | SCREW 4*10 | 4*10 | | |
| 39 | + | 433122-35430 | 1 | SPRING, BRAKE | | | |
| 40 | + | 433209-35430 | 1 | STOPPER, BRAKE | | | |
| 41 | + | 433115-38330 | 1 | WASHER 5.2*12*14 | 5.2*12*14 | | |
| 42 | + | 433208-35431 | 1 | LEVER, BRAKE | | | |
| 43 | + | 900330-40088 | 1 | ROLLER 4*8.8 | 4*8.8 | | |
| 44 | + | 433142-35430 | 1 | ADJUSTER, BRAKE | | | |
| 45 | + | C328-000060 | 1 | BAND,BRAKE | | | |
| 46 | + | 900342-25012 | 1 | PIN, SPRING 2.5*12 | 2.5*12 | | |

12. Chain Brake Asy(Sr/Nr 36020671 and after)



| KEY | LV | PART NUMBER | Q'TY | DESCRIPTION | REMARKS | NOTE1 | NOTE2 |
|-----|----|-------------|------|-------------------|---------|-------|-------|
| 66 | + | V304-000090 | 1 | WASHER,CIRCULAR 6 | | | |

Index

| Patrs Number | Key No. | Patrs Number | Key No. | Patrs Number | Key No. |
|---------------------|----------------|---------------------|----------------|---------------------|----------------|
| 100000-38930 | 1 - 8 | 123112-15030 | 9 - 29 | 123139-03930 | 9 - 6 |
| 100000-38931 | 1 - 8 | 123113-37530 | 10 - 25 | 123140-03930 | 10 - 4 |
| 100000-38932 | 1 - 8 | 123113-37530 | 9 - 19 | 123140-03930 | 9 - 4 |
| 100000-38932 | 2 - 8 | 123114-03930 | 9 - 11 | 123141-03930 | 10 - 3 |
| 100011-38930 | 1 - 9 | 123114-03930 | 9 - 11 | 123141-03930 | 9 - 3 |
| 100011-38930 | 2 - 9 | 123114-38830 | 10 - 15 | 123142-03930 | 10 - 2 |
| 100012-35430 | 1 - 14 | 123114-38830 | 9 - 11 | 123142-03930 | 9 - 2 |
| 100012-35430 | 2 - 14 | 123114-38830 | 9 - 36 | 123146-10631 | 10 - 10 |
| 100013-35430 | 1 - 10 | 123116-10530 | 10 - 27 | 123146-10631 | 9 - 28 |
| 100013-35430 | 2 - 10 | 123116-10530 | 9 - 21 | 123146-17330 | 9 - 25 |
| 100015-03930 | 1 - 11 | 123117-38330 | 9 - 18 | 123150-38330 | 10 - 29 |
| 100015-03931 | 1 - 11 | 123117-39330 | 10 - 24 | 123150-38330 | 9 - 23 |
| 100015-03931 | 2 - 11 | 123118-38330 | 9 - 16 | 123168-10631 | 9 - 27 |
| 100101-38330 | 1 - 13 | 123119-22130 | 9 - 14 | 123169-10630 | 9 - 26 |
| 100142-39130 | 1 - 12 | 123120-03661 | 10 - 12 | 123178-15030 | 10 - 37 |
| 100142-39130 | 2 - 12 | 123120-38330 | 9 - 15 | 123178-15030 | 9 - 33 |
| 100202-38930 | 1 - 5 | 123121-22130 | 9 - 17 | 129010-33330 | 3 - 12 |
| 100202-38931 | 1 - 5 | 123122-11130 | 9 - 8 | 130000-38330 | 3 - 1 |
| 100213-38330 | 1 - 16 | 123122-39330 | 10 - 6 | 130000-38331 | 3 - 1 |
| 100215-03930 | 1 - 23 | 123123-03930 | 10 - 5 | 130010-38330 | 3 - 4 |
| 100215-03930 | 2 - 23 | 123123-03930 | 9 - 5 | 130020-33330 | 3 - 3 |
| 100910-38330 | 5 - 25 | 123123-38330 | 9 - 5 | 130110-38330 | 3 - 5 |
| 100915-32530 | 5 - 23 | 123124-38330 | 10 - 33 | 130301-38331 | 3 - 8 |
| 100915-33930 | 1 - 31 | 123124-38330 | 9 - 31 | 130301-38332 | 3 - 8 |
| 100915-33930 | 2 - 31 | 123125-15030 | 10 - 32 | 130310-38330 | 3 - 7 |
| 100918-38330 | 1 - 30 | 123125-15030 | 9 - 30 | 130310-38331 | 3 - 7 |
| 100918-38330 | 2 - 30 | 123126-10631 | 10 - 26 | 130366-38330 | 3 - 2 |
| 100918-38330 | 5 - 24 | 123126-10631 | 9 - 20 | 130405-38331 | 3 - 6 |
| 100921-38330 | 1 - 32 | 123127-03930 | 9 - 22 | 130430-38330 | 3 - 10 |
| 100921-38330 | 2 - 32 | 123127-15030 | 10 - 28 | 130510-38330 | 1 - 7 |
| 100921-38330 | 5 - 22 | 123130-02960 | 10 - 1 | 130510-38330 | 2 - 7 |
| 101501-38330 | 1 - 20 | 123130-02960 | 9 - 1 | 130516-35430 | 1 - 4 |
| 101535-38930 | 4 - 18 | 123131-35430 | 10 - 30 | 130516-35430 | 2 - 4 |
| 101579-38330 | 1 - 21 | 123131-35430 | 9 - 24 | 131004-37931 | 5 - 14 |
| 101579-38330 | 2 - 21 | 123132-37330 | 10 - 16 | 131004-37932 | 5 - 14 |
| 104005-38330 | 1 - 33 | 123132-37330 | 9 - 10 | 131050-19830 | 1 - 42 |
| 104005-38331 | 1 - 33 | 123133-04260 | 10 - 35 | 131051-19830 | 1 - 44 |
| 104005-38332 | 1 - 33 | 123133-04260 | 9 - 34 | 131051-19830 | 5 - 15 |
| 104005-38333 | 1 - 33 | 123134-04260 | 10 - 36 | 131205-19830 | 5 - 19 |
| 104005-38334 | 1 - 33 | 123134-04260 | 9 - 35 | 131205-30830 | 5 - 19 |
| 123000-38331 | 3 - 11 | 123135-10630 | 10 - 17 | 131300-40630 | 5 - 35 |
| 123000-38331 | 9 - | 123135-10630 | 9 - 13 | 131300-56430 | 5 - 35 |
| 123000-38332 | 3 - 11 | 123136-10630 | 10 - 18 | 131314-35430 | 5 - 21 |
| 123000-38332 | 9 - | 123136-10630 | 9 - 12 | 131328-40630 | 5 - 34 |
| 123000-39333 | 10 - | 123137-19830 | 10 - 7 | 132010-38330 | 5 - 18 |
| 123000-39333 | 3 - 11 | 123137-19830 | 9 - 9 | 132010-38331 | 5 - 18 |
| 123110-03930 | 10 - 34 | 123138-03930 | 10 - 9 | 132012-39330 | 5 - 32 |
| 123110-03930 | 9 - 32 | 123138-03930 | 9 - 7 | 132013-26630 | 5 - 33 |
| 123112-15030 | 10 - 31 | 123139-03930 | 10 - 8 | 132013-26630 | 5 - 20 |

Index

| Patrs Number | Key No. | Patrs Number | Key No. | Patrs Number | Key No. |
|---------------------|----------------|---------------------|----------------|---------------------|----------------|
| 132013-26630 | 6 - 11 | 175019-39430 | 7 - 65 | 433005-38932 | 11 - 25 |
| 132013-26630 | 6 - 11 | 175019-39430 | 8 - 65 | 433005-38932 | 7 - 25 |
| 132019-39330 | 5 - 31 | 175019-59530 | 7 - 31 | 433005-38933 | 11 - 25 |
| 132021-02960 | 5 - 32 | 175022-59530 | 7 - 30 | 433005-38933 | 7 - 25 |
| 132115-04920 | 5 - 17 | 175062-35430 | 7 - 27 | 433011-19830 | 1 - 35 |
| 132115-12330 | 6 - 12 | 175105-35430 | 7 - 34 | 433011-19830 | 2 - 35 |
| 145510-35431 | 3 - 24 | 175114-12530 | 7 - 35 | 433012-38330 | 7 - 22 |
| 145600-38330 | 3 - 20 | 175310-38330 | 6 - 10 | 433013-35431 | 7 - 20 |
| 145600-38331 | 3 - 20 | 177200-38332 | 4 - 19 | 433013-35432 | 8 - 20 |
| 145600-38332 | 3 - 20 | 177200-38333 | 4 - 19 | 433014-19830 | 1 - 24 |
| 145600-38333 | 3 - 20 | 177200-38334 | 4 - 19 | 433014-60930 | 7 - 15 |
| 145711-35430 | 3 - 22 | 177200-38335 | 4 - 19 | 433016-38330 | 1 - 25 |
| 145711-60631 | 3 - 22 | 177200-38931 | 4 - 19 | 433019-12330 | 7 - 24 |
| 156626-38330 | 4 - 9 | 177214-02830 | 4 - 21 | 433019-12330 | 8 - 24 |
| 156626-38331 | 4 - 9 | 177215-38330 | 4 - 23 | 433045-38330 | 1 - 45 |
| 156626-38332 | 4 - 9 | 177218-19830 | 4 - 16 | 433045-38331 | 1 - 45 |
| 156800-38930 | 4 - 11 | 177220-35430 | 4 - 25 | 433045-38332 | 1 - 45 |
| 156800-38931 | 4 - 11 | 177221-38330 | 4 - 24 | 433045-38332 | 2 - 45 |
| 159011-03432 | 4 - 6 | 177226-38330 | 4 - 22 | 433100-38930 | 11 - |
| 159012-01620 | 4 - 7 | 177227-37930 | 4 - 27 | 433100-38931 | 11 - |
| 159017-31730 | 4 - 5 | 177228-35430 | 4 - 26 | 433100-38932 | 11 - |
| 162010-38330 | 3 - 14 | 177234-35430 | 4 - 13 | 433100-38933 | 11 - |
| 162010-38331 | 3 - 14 | 177247-04630 | 4 - 15 | 433100-38934 | 11 - |
| 162010-38332 | 3 - 14 | 178010-38330 | 5 - 8 | 433100-38935 | 11 - |
| 163400-38330 | 3 - 16 | 178010-38331 | 5 - 8 | 433100-38936 | 11 - |
| 163413-38930 | 3 - 25 | 178011-38331 | 3 - 19 | 433114-38330 | 7 - 9 |
| 163804-38930 | 3 - 15 | 178043-35430 | 5 - 9 | 433114-38331 | 11 - 9 |
| 163804-38931 | 3 - 15 | 178090-37930 | 5 - 7 | 433114-38331 | 12 - 9 |
| 163804-38932 | 3 - 15 | 178302-12330 | 5 - 13 | 433114-38331 | 7 - 9 |
| 163804-38935 | 3 - 15 | 178510-38330 | 3 - 17 | 433114-38331 | 8 - 9 |
| 163810-38330 | 3 - 15 | 178510-38331 | 3 - 17 | 433115-38330 | 11 - 41 |
| 163810-38931 | 3 - 26 | 178810-14531 | 3 - 18 | 433115-38330 | 12 - 41 |
| 163810-38932 | 3 - 26 | 178810-14532 | 3 - 18 | 433115-38330 | 7 - 41 |
| 163810-38933 | 3 - 26 | 178810-14533 | 3 - 18 | 433115-38330 | 8 - 41 |
| 163890-38330 | 1 - 17 | 178810-14534 | 3 - 18 | 433122-35430 | 11 - 39 |
| 163890-38330 | 2 - 17 | 178810-38330 | 3 - 18 | 433122-35430 | 12 - 39 |
| 175000-35431 | 7 - 26 | 351101-38330 | 5 - 12 | 433122-35430 | 7 - 39 |
| 175000-59530 | 7 - 26 | 351101-38331 | 5 - 12 | 433122-35430 | 8 - 39 |
| 175002-19830 | 7 - 31 | 351101-38332 | 5 - 12 | 433123-35430 | 11 - 45 |
| 175002-59530 | 7 - 29 | 351103-38330 | 5 - 12 | 433123-35430 | 7 - 45 |
| 175012-00831 | 8 - 33 | 351111-19830 | 5 - 11 | 433142-35430 | 11 - 44 |
| 175012-14630 | 7 - 33 | 351155-35430 | 5 - 6 | 433142-35430 | 12 - 44 |
| 175016-35430 | 7 - 29 | 351606-38330 | 5 - 26 | 433142-35430 | 7 - 44 |
| 175016-59530 | 7 - 27 | 433000-19831 | 1 - 27 | 433142-35430 | 8 - 44 |
| 175018-19830 | 7 - 30 | 433000-19831 | 2 - 27 | 433167-39130 | 11 - 7 |
| 175018-59530 | 7 - 28 | 433005-38930 | 11 - 25 | 433167-39130 | 12 - 7 |
| 175019-19830 | 7 - 28 | 433005-38930 | 7 - 25 | 433167-39130 | 7 - 7 |
| 175019-38330 | 7 - 36 | 433005-38931 | 11 - 25 | 433167-39130 | 8 - 7 |
| 175019-38330 | 8 - 36 | 433005-38931 | 7 - 25 | 433171-39330 | 11 - 11 |

Index

| Patrs Number | Key No. | Patrs Number | Key No. | Patrs Number | Key No. |
|---------------------|----------------|---------------------|----------------|---------------------|----------------|
| 433171-39330 | 12 - 11 | 890316-39130 | 7 - 51 | 900238-05016 | 2 - 26 |
| 433171-39330 | 7 - 11 | 890345-39230 | 1 - 47 | 900238-05018 | 4 - 30 |
| 433171-39330 | 8 - 11 | 890345-39230 | 2 - 47 | 900246-03008 | 1 - 43 |
| 433201-39330 | 7 - 5 | 890611-39330 | 1 - 19 | 900253-04010 | 11 - 38 |
| 433201-39331 | 11 - 5 | 890611-39331 | 1 - 19 | 900253-04010 | 11 - 38 |
| 433201-39331 | 7 - 5 | 890611-39331 | 2 - 19 | 900253-04010 | 12 - 38 |
| 433201-39332 | 11 - 5 | 895410-02830 | 7 - 49 | 900253-04010 | 12 - 38 |
| 433201-39332 | 12 - 5 | 895410-02830 | 8 - 49 | 900253-04010 | 7 - 38 |
| 433201-39332 | 7 - 5 | 895811-00130 | 7 - 50 | 900253-04010 | 7 - 38 |
| 433201-39332 | 8 - 5 | 895811-00130 | 8 - 50 | 900253-04010 | 8 - 38 |
| 433208-35431 | 11 - 42 | 898510-39130 | 7 - 55 | 900253-04010 | 8 - 38 |
| 433208-35431 | 12 - 42 | 898510-39130 | 8 - 55 | 900253-04014 | 5 - 5 |
| 433208-35431 | 7 - 42 | 898548-14531 | 7 - 52 | 900253-05016 | 5 - 28 |
| 433208-35431 | 8 - 42 | 898548-14531 | 8 - 52 | 900268-05020 | 5 - 27 |
| 433209-35430 | 11 - 40 | 898568-14530 | 7 - 53 | 900296-03014 | 4 - 29 |
| 433209-35430 | 12 - 40 | 898568-14530 | 8 - 53 | 900330-30240 | 11 - 6 |
| 433209-35430 | 7 - 40 | 900105-04006 | 3 - 21 | 900330-30240 | 12 - 6 |
| 433209-35430 | 8 - 40 | 900105-04006 | 7 - 32 | 900330-30240 | 7 - 6 |
| 433310-38330 | 11 - 37 | 900105-05012 | 7 - 48 | 900330-30240 | 8 - 6 |
| 433310-38330 | 12 - 37 | 900105-05012 | 8 - 48 | 900330-40088 | 11 - 43 |
| 433310-38330 | 7 - 37 | 900105-05014 | 3 - 23 | 900330-40088 | 12 - 43 |
| 433310-38330 | 8 - 37 | 900162-04016 | 1 - 38 | 900330-40088 | 7 - 43 |
| 436001-37933 | 1 - 40 | 900162-04016 | 2 - 38 | 900330-40088 | 8 - 43 |
| 436001-39231 | 1 - 40 | 900162-04030 | 4 - 10 | 900342-25012 | 11 - 46 |
| 436001-39232 | 1 - 40 | 900162-05014 | 4 - 17 | 900342-25012 | 12 - 46 |
| 436001-39232 | 2 - 40 | 900162-05022 | 1 - 6 | 900342-25012 | 7 - 46 |
| 436005-38330 | 1 - 37 | 900162-05022 | 1 - 6 | 900342-25012 | 8 - 46 |
| 436005-38331 | 1 - 37 | 900162-05022 | 2 - 6 | 900345-40030 | 5 - 10 |
| 436005-38332 | 1 - 37 | 900162-05022 | 2 - 6 | 900500-00004 | 11 - 13 |
| 436005-38332 | 2 - 37 | 900162-05050 | 3 - 9 | 900500-00004 | 12 - 13 |
| 436018-38330 | 1 - 34 | 900209-05030 | 11 - 10 | 900500-00004 | 7 - 13 |
| 436018-38330 | 1 - 34 | 900209-05030 | 7 - 10 | 900500-00004 | 8 - 13 |
| 436018-38330 | 2 - 34 | 900220-03006 | 11 - 21 | 900500-00008 | 4 - 12 |
| 436018-38330 | 2 - 34 | 900220-03006 | 12 - 21 | 900560-00005 | 11 - 8 |
| 436019-38330 | 1 - 36 | 900220-03006 | 7 - 21 | 900560-00005 | 7 - 8 |
| 436019-38330 | 2 - 36 | 900220-03006 | 8 - 21 | 900562-50005 | 11 - 8 |
| 436114-13930 | 1 - 39 | 900220-04006 | 3 - 13 | 900562-50005 | 12 - 8 |
| 436114-13930 | 2 - 39 | 900220-04006 | 7 - 19 | 900562-50005 | 7 - 8 |
| 436205-14730 | 6 - 14 | 900220-04006 | 8 - 19 | 900562-50005 | 8 - 8 |
| 437002-38330 | 6 - 8 | 900220-05018 | 1 - 28 | 900580-00004 | 1 - 22 |
| 437063-38330 | 1 - 18 | 900220-05018 | 2 - 28 | 900580-00004 | 2 - 22 |
| 437063-38330 | 2 - 18 | 900223-04016 | 6 - 9 | 900603-00005 | 4 - 14 |
| 437210-11131 | 5 - 33 | 900238-04016 | 6 - 9 | 900605-00008 | 4 - 4 |
| 437210-38330 | 6 - 13 | 900238-04018 | 11 - 12 | 900720-00022 | 5 - 16 |
| 437229-38331 | 6 - 5 | 900238-04018 | 12 - 12 | 900721-00025 | 1 - 41 |
| 880200-38330 | 7 - 47 | 900238-04018 | 7 - 12 | 900721-00025 | 2 - 41 |
| 880200-38330 | 8 - 47 | 900238-04018 | 8 - 12 | 900725-02025 | 1 - 41 |
| 890157-39130 | 1 - 46 | 900238-05012 | 4 - 20 | 900888-36201 | 1 - 15 |
| 890157-39130 | 2 - 46 | 900238-05016 | 1 - 26 | 900888-36201 | 2 - 15 |

Index

| Patrs Number | Key No. | Patrs Number | Key No. | Patrs Number | Key No. |
|---------------------|----------------|---------------------|----------------|---------------------|----------------|
| 91145-05016 | 5 - 28 | P021-007050 | 7 - 64 | | |
| 91145-05020 | 5 - 27 | P021-007050 | 8 - 64 | | |
| 91318-05032 | 11 - 10 | P021-007060 | 7 - 61 | | |
| 91318-05032 | 12 - 10 | P021-007060 | 8 - 61 | | |
| 91318-05032 | 7 - 10 | P021-007290 | 1 - 13 | | |
| 91318-05032 | 8 - 10 | P021-007290 | 2 - 13 | | |
| A172-000060 | 4 - 18 | P021-008610 | 3 - 20 | | |
| A172-000061 | 4 - 18 | P021-010130 | 11 - | | |
| A172-000062 | 4 - 18 | P021-010131 | 12 - | | |
| A241-000100 | 3 - 17 | P021-010160 | 11 - 25 | | |
| A365-000050 | 1 - 44 | P021-010160 | 12 - 25 | | |
| A365-000050 | 2 - 44 | P021-010160 | 7 - 25 | | |
| A365-000050 | 5 - 15 | P021-010161 | 8 - 25 | | |
| A409-000080 | 4 - 11 | V150-001740 | 1 - 48 | | |
| A411-000030 | 4 - 9 | V150-001740 | 2 - 48 | | |
| A411-000031 | 4 - 9 | V162-000020 | 11 - 55 | | |
| A552-000060 | 7 - 62 | V162-000020 | 7 - 55 | | |
| A552-000060 | 8 - 62 | V203-000040 | 7 - 14 | | |
| A556-000170 | 7 - 34 | V203-000041 | 7 - 14 | | |
| A556-000171 | 8 - 34 | V203-000090 | 4 - 17 | | |
| C305-000000 | 11 - 22 | V203-000110 | 11 - 14 | | |
| C305-000000 | 7 - 22 | V203-000110 | 12 - 14 | | |
| C305-000001 | 11 - 22 | V203-000110 | 7 - 14 | | |
| C305-000001 | 12 - 22 | V203-000110 | 8 - 14 | | |
| C305-000001 | 7 - 22 | V304-000090 | 11 - 66 | | |
| C305-000001 | 8 - 22 | V304-000090 | 12 - 66 | | |
| C309-000030 | 7 - 15 | V304-000090 | 7 - 66 | | |
| C309-000030 | 8 - 15 | V304-000090 | 8 - 66 | | |
| C328-000060 | 11 - 45 | V341-000090 | 2 - 49 | | |
| C328-000060 | 12 - 45 | V355-000030 | 7 - 17 | | |
| C328-000060 | 8 - 45 | V355-000270 | 7 - 17 | | |
| C450-000000 | 5 - 8 | V355-000270 | 8 - 17 | | |
| C483-000000 | 3 - 31 | V420-001130 | 3 - 2 | | |
| P003-000010 | 10 - 13 | V451-000500 | 7 - 63 | | |
| P021-000480 | 11 - 23 | V451-000500 | 8 - 63 | | |
| P021-000480 | 7 - 23 | V505-000010 | 1 - 16 | | |
| P021-000481 | 11 - 23 | V505-000010 | 2 - 16 | | |
| P021-000481 | 7 - 23 | V651-000000 | 7 - 18 | | |
| P021-001290 | 11 - 23 | V651-000001 | 7 - 18 | | |
| P021-001290 | 12 - 23 | V651-000001 | 8 - 18 | | |
| P021-001290 | 7 - 23 | V651-000010 | 7 - 16 | | |
| P021-001291 | 7 - 23 | V651-000011 | 7 - 16 | | |
| P021-001292 | 8 - 23 | V651-000011 | 8 - 16 | | |
| P021-003110 | 1 - 33 | X502-000000 | 7 - 54 | | |
| P021-003110 | 2 - 33 | X502-000000 | 8 - 54 | | |
| P021-004060 | 1 - 5 | X502-000010 | 4 - 31 | | |
| P021-004060 | 2 - 5 | X505-000180 | 2 - 50 | | |
| P021-006060 | 8 - 60 | | | | |
| P021-006830 | 2 - 20 | | | | |

YAMABIKO CORPORATION

7-2 SUEHIROCHO 1-CHOME, OHME, TOKYO 198-8760, JAPAN
PHONE: 81-428-32-6118. FAX: 81-428-32-6145.

