



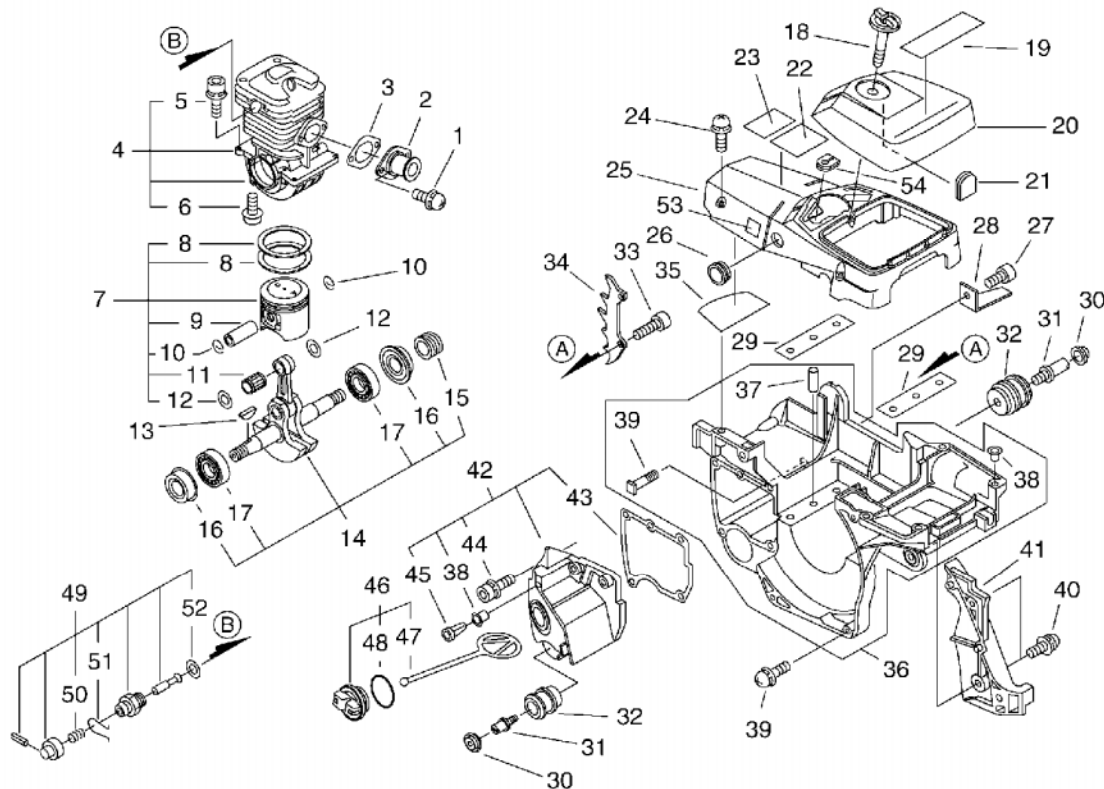
PARTS CATALOGUE

CHAIN SAW CS-510(36)

- **36020580**

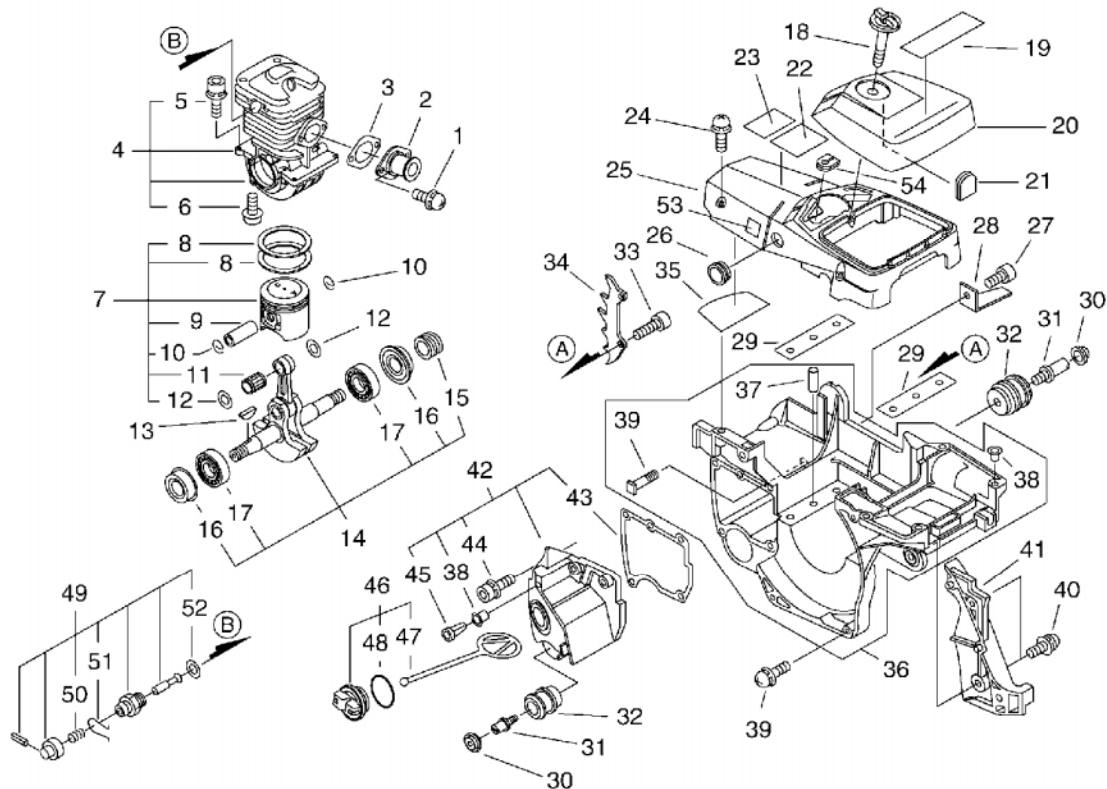
CS-510(36)

1. Cylinder, Crankcase, Piston, Engine Cover



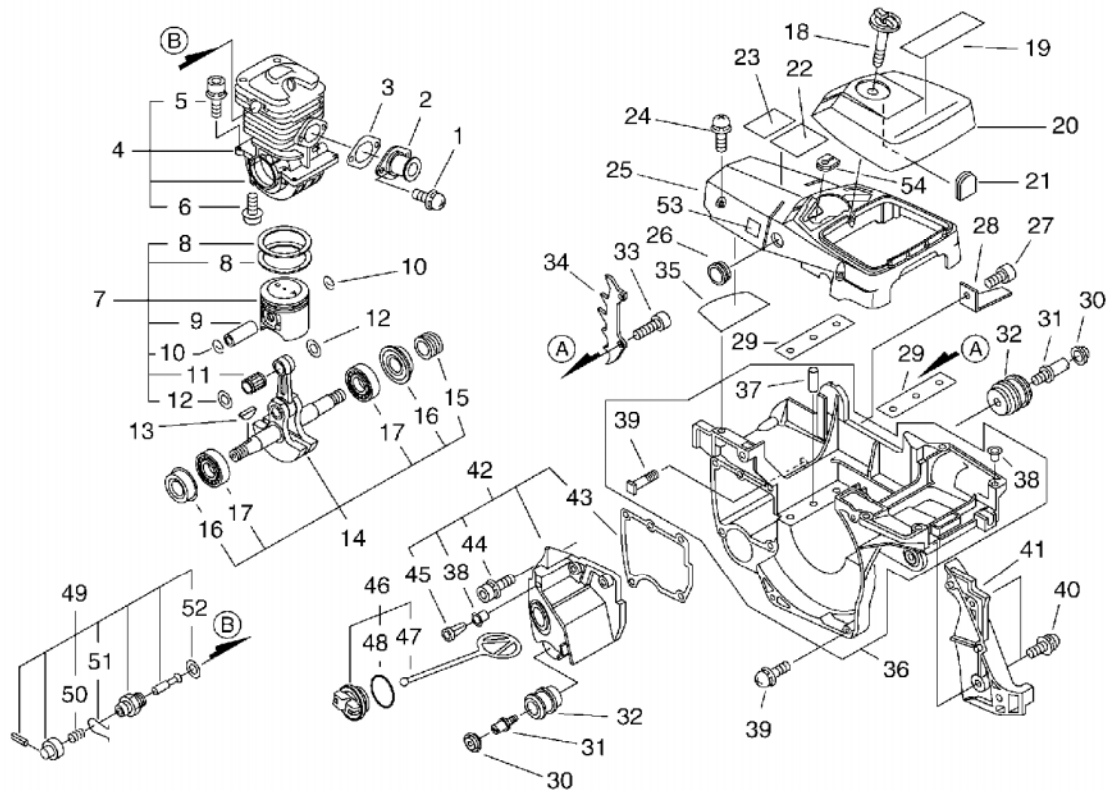
KEY	LV	PART NUMBER	Q'TY	DESCRIPTION	REMARKS	NOTE1	NOTE2
1		900238-05012	2	SCREW 5*12	5*12		
2		130510-39932	1	ADAPTER, INTAKE			
3		130016-39930	1	GASKET, INTAKE			
4		P021-004080	1	CRANKCASE SET		Sus. by P021-004081	
4		P021-004081	1	CRANKCASE SET		Sus. by P021-004082	
5	+	900162-05022	4	BOLT, H.S. 5*22	5*22 W,SW	Sus. by V203-000170	
6	+	900106-05020	4	BOLT, H.S. 5*20	5*20		
7		P021-001062	1	PISTON KIT		Sus. by P021-001064	
8	+	100011-39730	2	RING, PISTON		Sus. by 100011-39731	
9	+	V609-000000	1	PIN,ENG 11			
10	+	100015-32330	2	CIRCLIP, PISTON PIN			
11	+	V556-000000	1	BEARING,NEEDLE 11	KBK11*15*15.8X2		
12	+	V308-000010	2	WASHER,CIRCULAR 11	11*19*3.1		
13		100142-30830	1	KEY, WOODRUFF			
14		P021-001071	1	CRANKSHAFT, ASSY			
15	+	V652-000000	1	GEAR, WORM			
16	+	V508-000000	2	SEAL, OIL 15			
17	+	900810-36202	2	BEARING, BALL 6202	6202/C3		
18		A235-000020	1	KNOB, CLEANER LID			
19		X503-008310	1	LABEL, MODEL	CS-510 EU		

1. Cylinder, Crankcase, Piston, Engine Cover



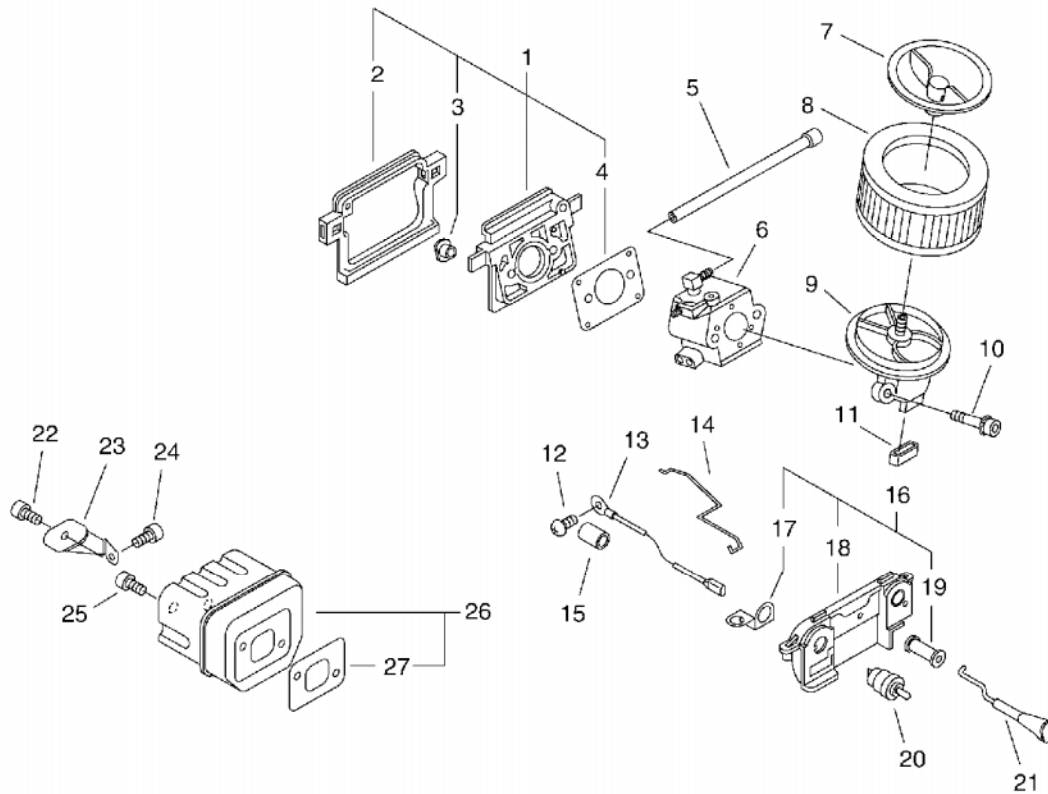
KEY	LV	PART NUMBER	Q'TY	DESCRIPTION	REMARKS	NOTE1	NOTE2
20		A232-000023	1	LID,CLEANER			
21		130338-32430	1	PLUG, COVER			
22		X505-000180	1	LABEL,CAUTION			
23		890345-39230	1	LABEL,CAUTION			
24		163890-38330	3	BOLT, 5			
25		A160-000102	1	COVER,CYLINDER			
26		101578-38431	1	PLUG			
27		900162-05014	1	BOLT, H.S. 5*14	5*14 W,SW		
28		C310-000000	1	CATCHER, CHAIN			
29		V150-001740	2	PLATE,EYE			
30		100918-38330	2	CAP, CUSHION			
31		100915-33930	2	SCREW			
32		100921-38330	2	CUSHION			
33		900105-05012	2	BOLT, H.S. 5*12	5*12		
34		C304-000030	1	SPIKED			
35		101520-35430	1	COVER			
36		P021-012470	1	COVER, ENGINE			
37	+	100215-03930	2	PIN, DOWEL			
38	+	436018-38330	3	PIN, DOWEL			
39	+	433011-19830	2	STUD, GUIDE BAR			
40		900238-05016	3	SCREW 5*16	5*16		
41		C300-000321	1	GUARD, SPROCKET			
42		P021-012550	1	TANK, OIL	BS		
38	+	436018-38330	1	PIN, DOWEL			
43	+	436019-38330	1	GASKET, OIL TANK			
44	+	900162-04016	3	BOLT, H.S. 4*16	4*16 W,SW		

1. Cylinder, Crankcase, Piston, Engine Cover



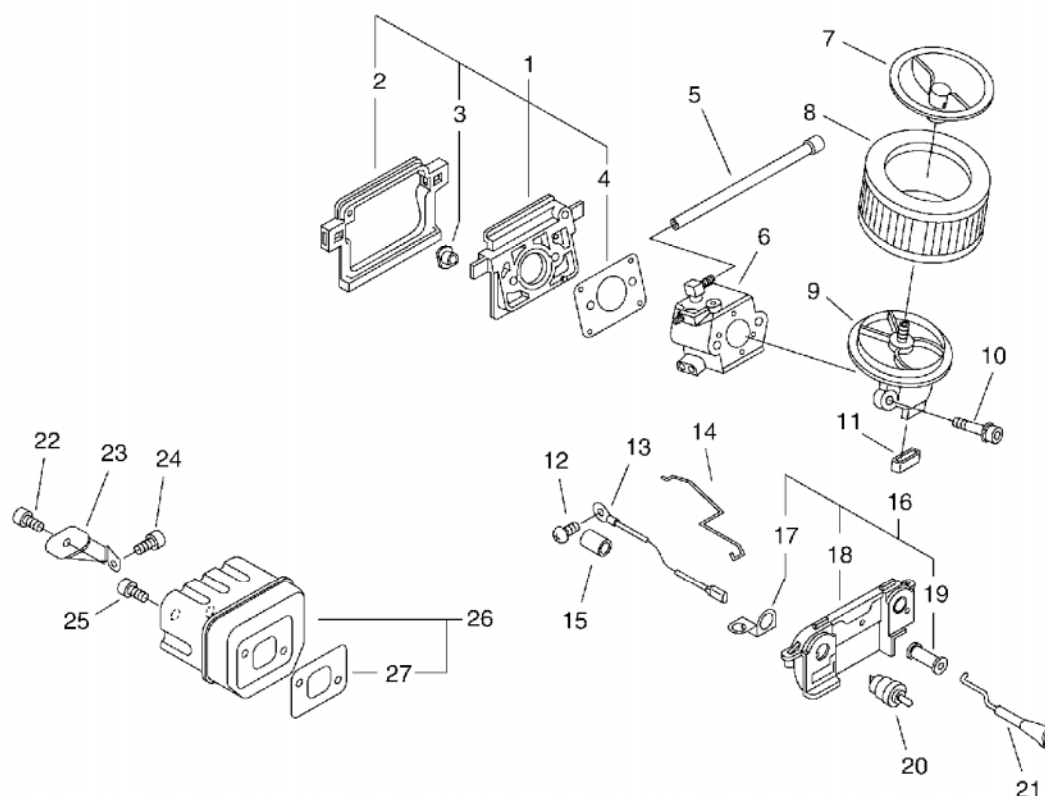
KEY	LV	PART NUMBER	Q'TY	DESCRIPTION	REMARKS	NOTE1	NOTE2
45	+	436114-13930	1	VALVE, CHECK			
46		P021-007630	1	CAP ASY,TANK			
47	+	A365-000050	1	CONNECTOR,CAP			
48	+	900721-00025	1	O-RING 25	G-25		
49		101100-21360	1	RELEASE ASSY, COMP.			
50	+	101113-37530	1	SPRING			
51	+	101119-37530	1	CLIP			
52	+	159025-37530	1	GASKET			
53		X505-000000	1	LABEL,CAUTION			
54		V135-000010	1	GROMMET,HT CORD			

2. Air Cleaner, Carburetor, Muffler



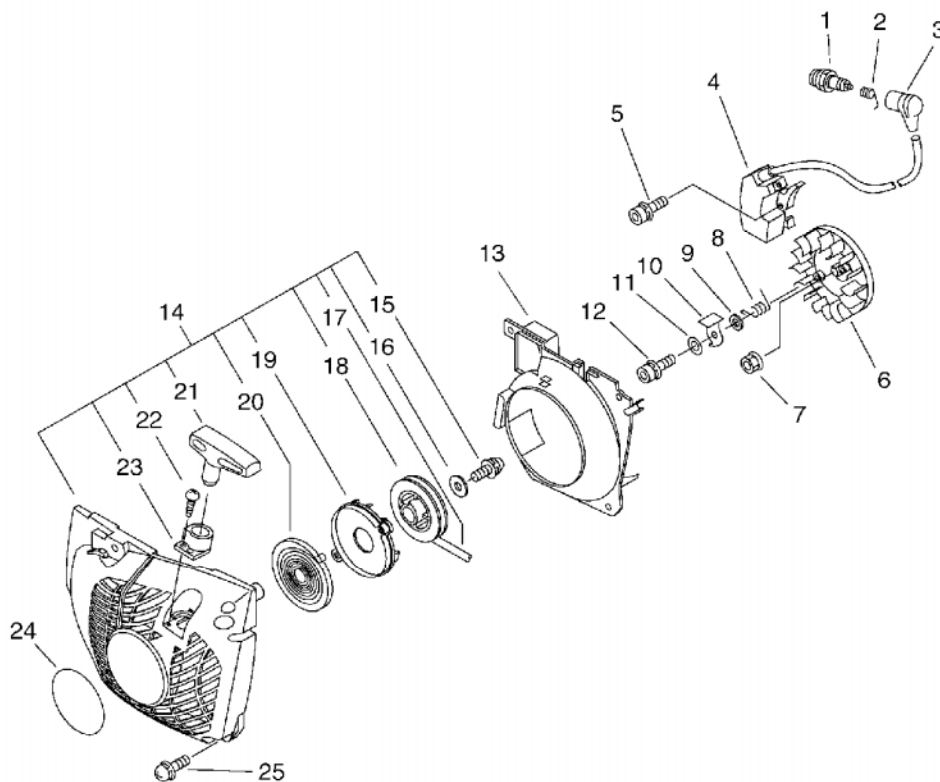
KEY	LV	PART NUMBER	Q'TY	DESCRIPTION	REMARKS	NOTE1	NOTE2
1		130000-38331	1	INSULATOR ASY,INTAKE			
2	+	V420-001130	1	CUSHION			
3	+	130020-33330	2	NUT			
4	+	130010-38330	1	GASKET, INTAKE			
5		130110-38330	1	PIPE, IMPULSE	3*5*110		
6		A021-001000	1	CARBURETOR,DIAPHRAGM	C1Q-K79		
7		130405-38332	1	BRACKET, AIR CLEANER			
8		130310-38331	1	FILTER, AIR			
9		A204-000004	1	ELBOW,CARBURETOR			
10		900162-05050	2	BOLT, H.S. 5*50	5*50 W,SW		
11		130430-38330	1	CUSHION			
12		900220-04006	1	SCREW 4*6	4*6		
13		162010-38332	1	LEAD, GROUND			
14		C454-000150	1	ROD, THROTTLE			
15		C482-000000	1	CONNECTOR,CABLE			
16		163804-38935	1	BRACKET, SWITCH			
17	+	163413-38930	1	PLATE, SWITCH			
18	+	163810-38933	1	BRACKET, SWITCH			
19	+	178810-14534	1	GROMMET			
20		163400-38330	1	SWITCH, IGNITION			
21		A241-000100	1	KNOB, CHOKE		Sus. by A241-000101	
22		91100-06008	1	BOLT	CB-6*8		
23		A319-000080	1	STAY, MUFFLER			
24		900105-06014	1	BOLT, H.S. 6*14	6*14		
25		900105-05014	2	BOLT, H.S. 5*14	5*14		

2. Air Cleaner, Carburetor, Muffler



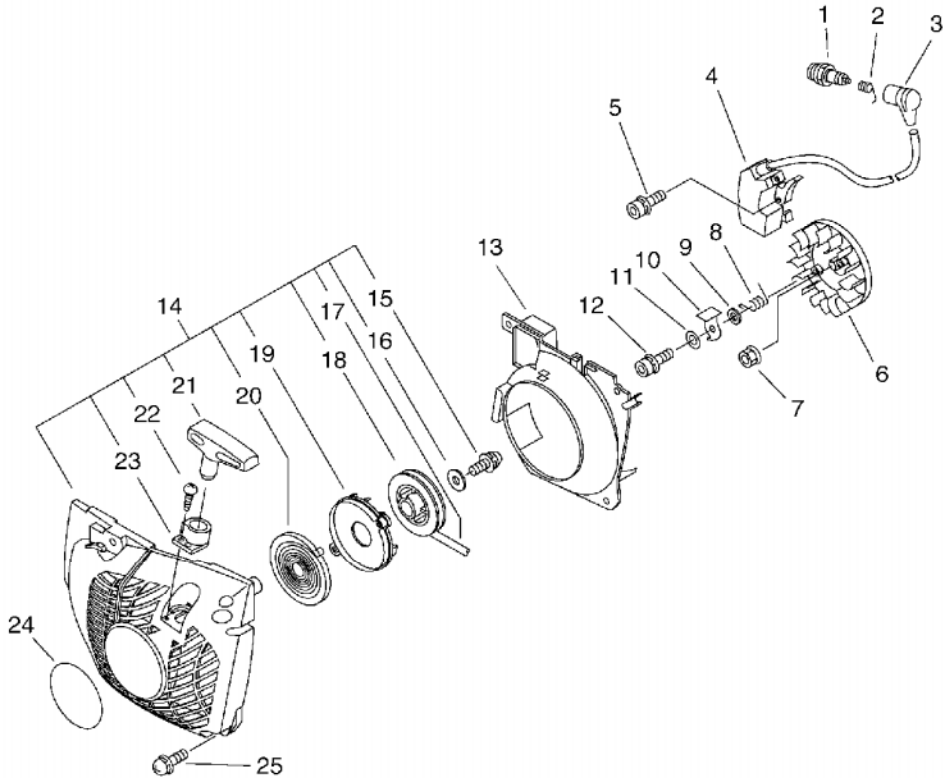
KEY	LV	PART NUMBER	Q'TY	DESCRIPTION	REMARKS	NOTE1	NOTE2
26		P021-013460	1	MUFFLER ASY		Sus. by P021-013461	
27	+	145510-35431	1	GASKET, MUFFLER			

3. Starter, Magneto



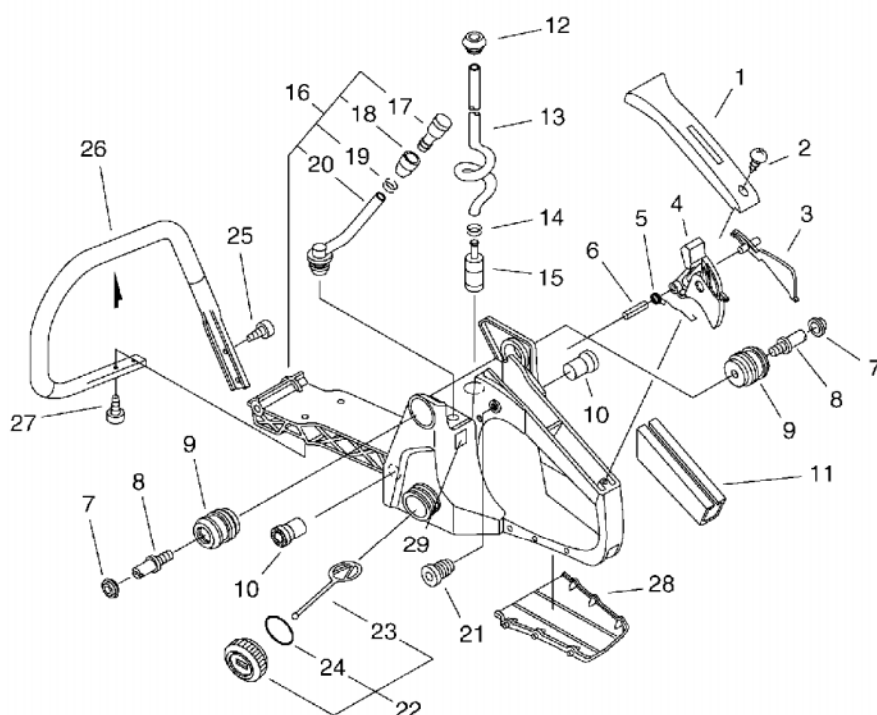
KEY	LV	PART NUMBER	Q'TY	DESCRIPTION	REMARKS	NOTE1	NOTE2
1		A425-000000	1	SPARKPLUG	BPMR8Y		
2		A426-000010	1	TERMINAL,SPARKPLUG			
3		A427-000012	1	CAP,SPARK PLUG		Sus. by A427-000013	
4		A411-000031	1	COIL,IGNITION			
5		900162-04030	2	BOLT, H.S. 4*30	4*30 W.SW		
6		A409-000030	1	ROTOR,MAGNETO			
7		900515-00008	1	NUT, FLANGE 8	8		
8		177234-35430	2	SPRING, RETURN			
9		900603-00005	2	WASHER 5	5.5*12*0.8		
10		177218-19830	2	PAWL, STARTER			
11		177247-04630	2	SPACER, RATCHET	5.2*8*2.1		
12		V203-000090	2	BOLT,5	M5*14		
13		A172-000062	1	COVER,FAN			
14		P021-013480	1	STARTER ASY		Sus. by P021-013481	
14		P021-013481	1	STARTER ASY			
15	+	900238-05012	1	SCREW 5*12	5*12		
16	+	177214-02830	1	WASHER	5.2*16*1.0T		
17	+	177226-19830	1	ROPE, STARTER	3.5*850		
18	+	A506-000100	1	REEL, ROPE			
19	+	177221-35430	1	PLATE, STARTER			
20	+	177220-35430	1	SPRING, REWIND			
21	+	177228-35430	1	GRIP, STARTER (BL)			
22	+	900296-03014	1	SCREW 3*14	3*14 SUS		
23	+	177227-37930	1	GUIDE, ROPE			

3. Starter, Magneto



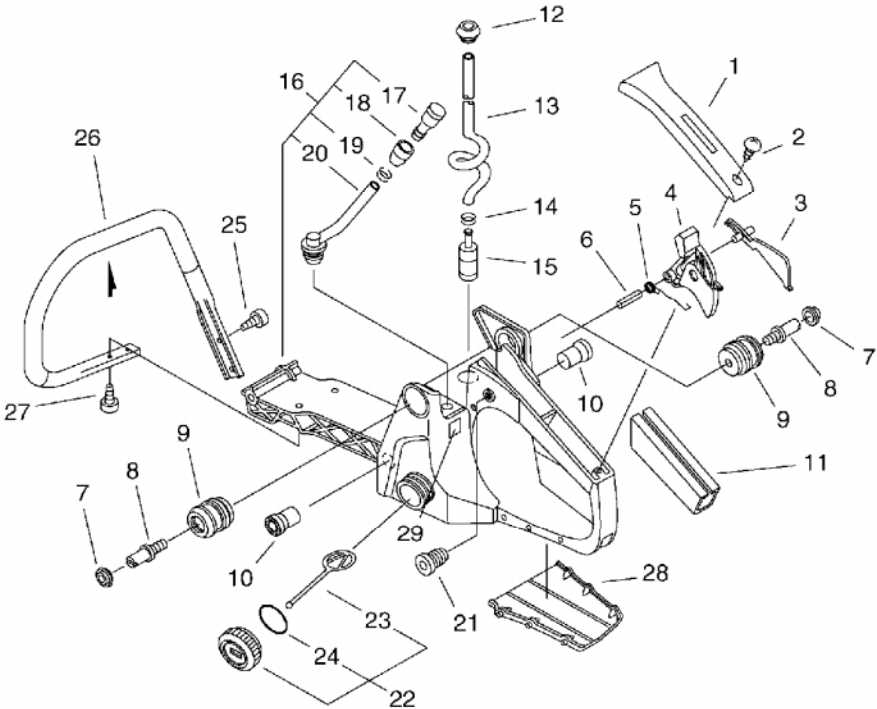
KEY	LV	PART NUMBER	Q'TY	DESCRIPTION	REMARKS	NOTE1	NOTE2
24		X502-000410	1	LABEL,ECHO			
25		900238-05018	3	SCREW 5*18	5*18		

4. Handle



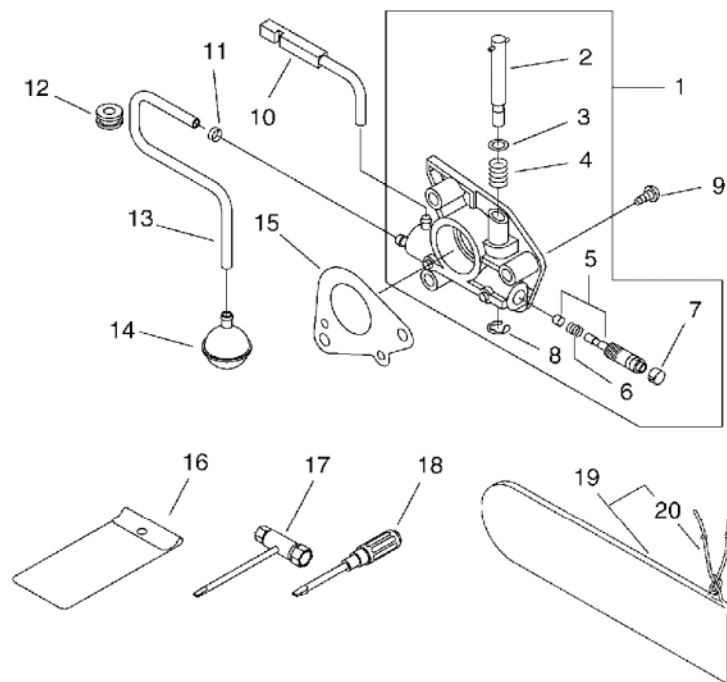
KEY	LV	PART NUMBER	Q'TY	DESCRIPTION	REMARKS	NOTE1	NOTE2
1		351155-35430	1	COVER, HANDLE (BL)			
2		900253-04014	1	SCREW 4*14	4*14		
3		C460-000072	1	LOCKOUT, THROTTLE			
4		C450-000212	1	CONTROL, THROTTLE			
5		V452-000260	1	SPRING, TORSION			
6		900345-40030	1	PIN, SPRING 4*30SUS	4*30SUS		
7		100918-38330	2	CAP, CUSHION			
8		100915-32530	2	BOLT			
9		100921-38330	2	CUSHION			
10		100910-38330	2	CUSHION			
11		351111-19830	1	GRIP, HANDLE			
12		132115-04920	1	GROMMET			
13		132010-38331	1	PIPE	3*6*165		
14		132013-26630	1	CLIP	6.5MM		
15		131205-19830	1	STRAINER, FUEL		Sus. by 131205-19831	
16		P021-012560	1	HANDLE ASY, REAR			
17	+	131300-56430	1	VALVE, CHECK			
18	+	131328-40630	1	COVER, VENT			
19	+	132013-26630	1	CLIP	6.5MM		
20	+	132012-39331	1	PIPE	3*6*105		
21		V162-000040	1	PLUG			
22		P021-010600	1	FUEL CAP ASY			
23	+	A365-000050	1	CONNECTOR, CAP			
24	+	900720-00022	1	O-RING 22	P-22		
25		91145-05020	2	BOLT HS TAPPING	5*20		

4. Handle



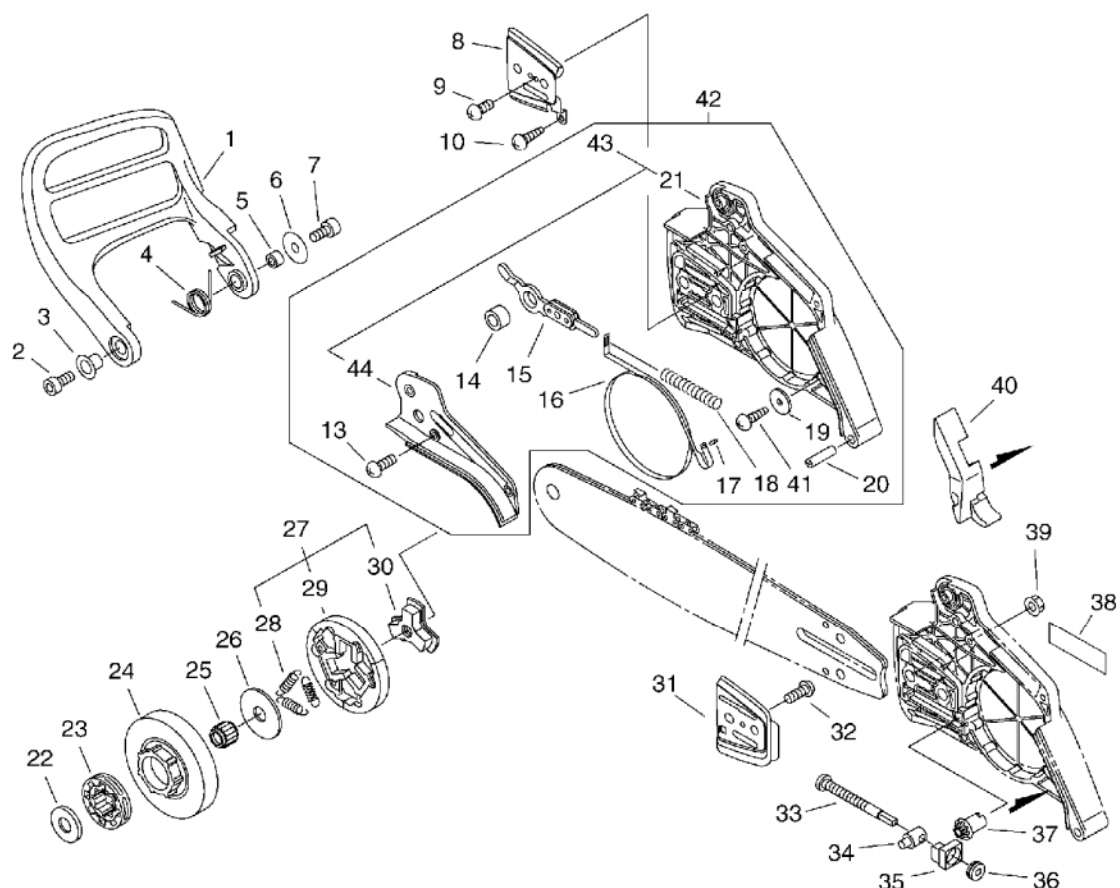
KEY	LV	PART NUMBER	Q'TY	DESCRIPTION	REMARKS	NOTE1	NOTE2
26		C400-000010	1	HANDLE,FRONT			
27		91145-05016	2	BOLT HS TAPPING	5*16		
28		C418-000040	1	SHIELD,SNOW			
29		890157-39130	1	LABEL, SWITCH			

5. Auto-Oiler



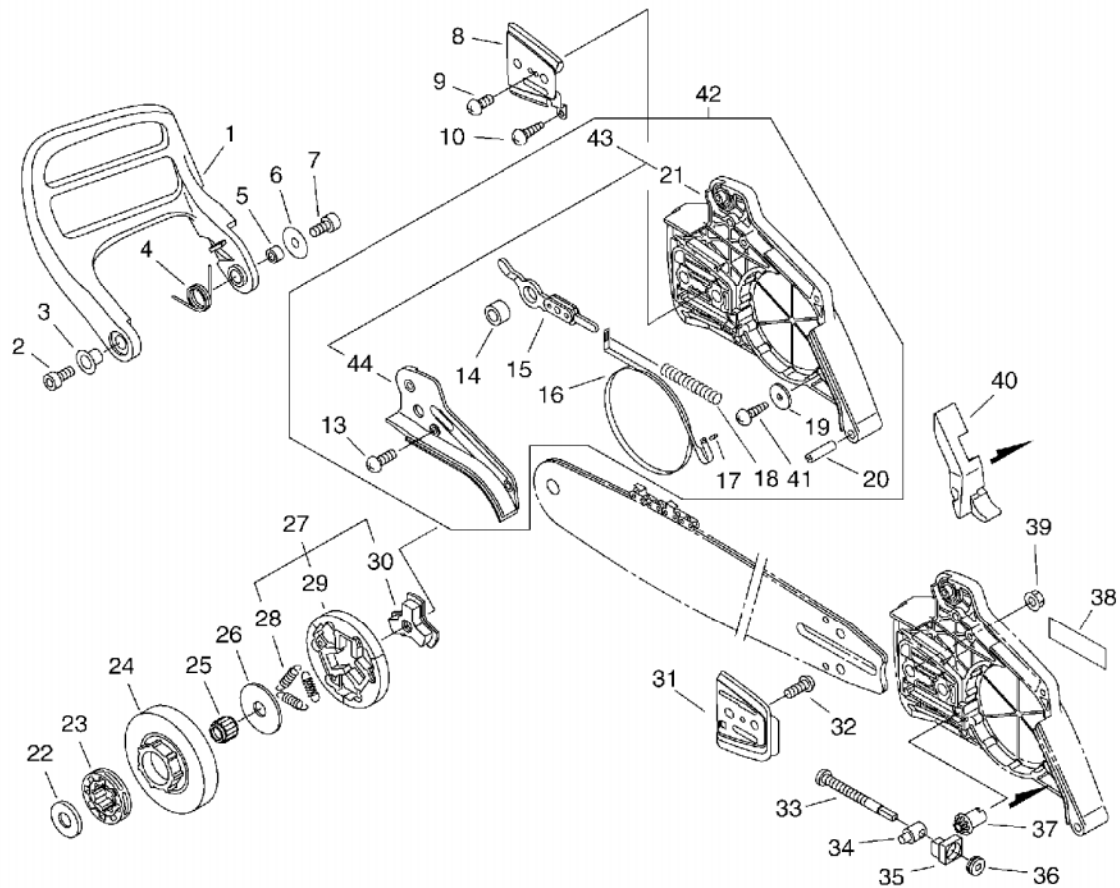
KEY	LV	PART NUMBER	Q'TY	DESCRIPTION	REMARKS	NOTE1	NOTE2
1		437002-38330	1	AUTO-OILER ASSY			
2	+	437016-38330	1	NEEDLE, ADJUST			
3	+	437029-37330	1	WASHER			
4	+	437015-37330	1	SPRING			
5	+	437024-37330	1	PLUNGER			
6	+	437019-38330	1	SPRING			
7	+	437062-38330	1	CAP, OIL PUMP			
8	+	123127-15030	1	RING			
9		900223-04016	2	SCREW	4*16		
10		437229-38331	1	PIPE			
11		132013-26630	1	CLIP	6.5MM		
12		132115-12330	1	GROMMET			
13		437210-38330	1	PIPE, OIL			
14		436205-14730	1	STRAINER, OIL			
15		175310-38330	1	PLATE, SEAL			
16		898510-39130	1	BAG, TOOL			
17		X602-000080	1	TOOL, WRENCH	13*19 L180		
18		895811-00130	1	DRIVER, SCREW 125			
19		898548-14531	1	SCABBARD, CHAIN			
20	+	898568-14530	1	ROPE	5*900		

6. Clutch, Sprocket(Sr/Nr 36008773 and before)



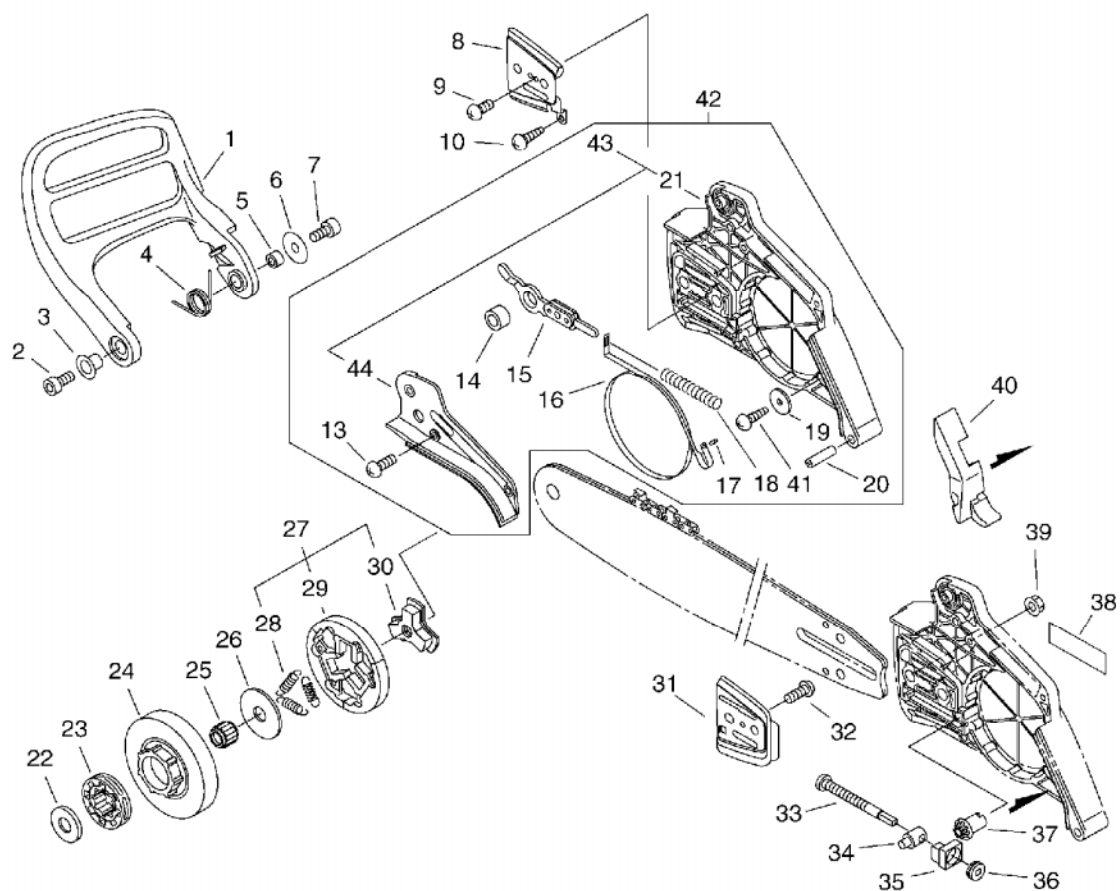
KEY	LV	PART NUMBER	Q'TY	DESCRIPTION	REMARKS	NOTE1	NOTE2
1		C320-000140	1	LEVER, BRAKE		Sus. by C320-000141	
2		900105-05030	1	BOLT, H.S. 5*30	5*30		
3		V356-000300	1	COLLAR,10			
4		V452-000250	1	SPRING,TORSION			
5		433116-35430	1	SPACER 8	8*12*9		
6		177214-03930	1	WASHER			
7		V202-000120	1	BOLT,4			
8		C305-000001	1	PLATE,SPROCKET GUARD			
9		900220-03006	1	SCREW 3*6	3*6		
10		V202-000060	1	BOLT,4	4*12		
11		C032-000320	1	BRAKE ASY, CHAIN		Sr/Nr 36008773 and before, Sus. by C032-000321	
12	+	C345-000240	1	COVER,BRAKE		Sr/Nr 36008773 and before, Sus by C345-000241	
13	+	V202-000060	3	BOLT,4	4*12		
14	+	433116-35430	1	SPACER 8	8*12*9		
15	+	C334-000090	1	CONNECTOR, BRAKE			
16	+	C328-000110	1	BAND, BRAKE			
17	+	900330-30120	1	PIN	3*12		
18	+	V450-000070	1	SPRING, COMPRESSION			
19	+	351249-06960	1	WASHER			

6. Clutch, Sprocket(Sr/Nr 36008773 and before)



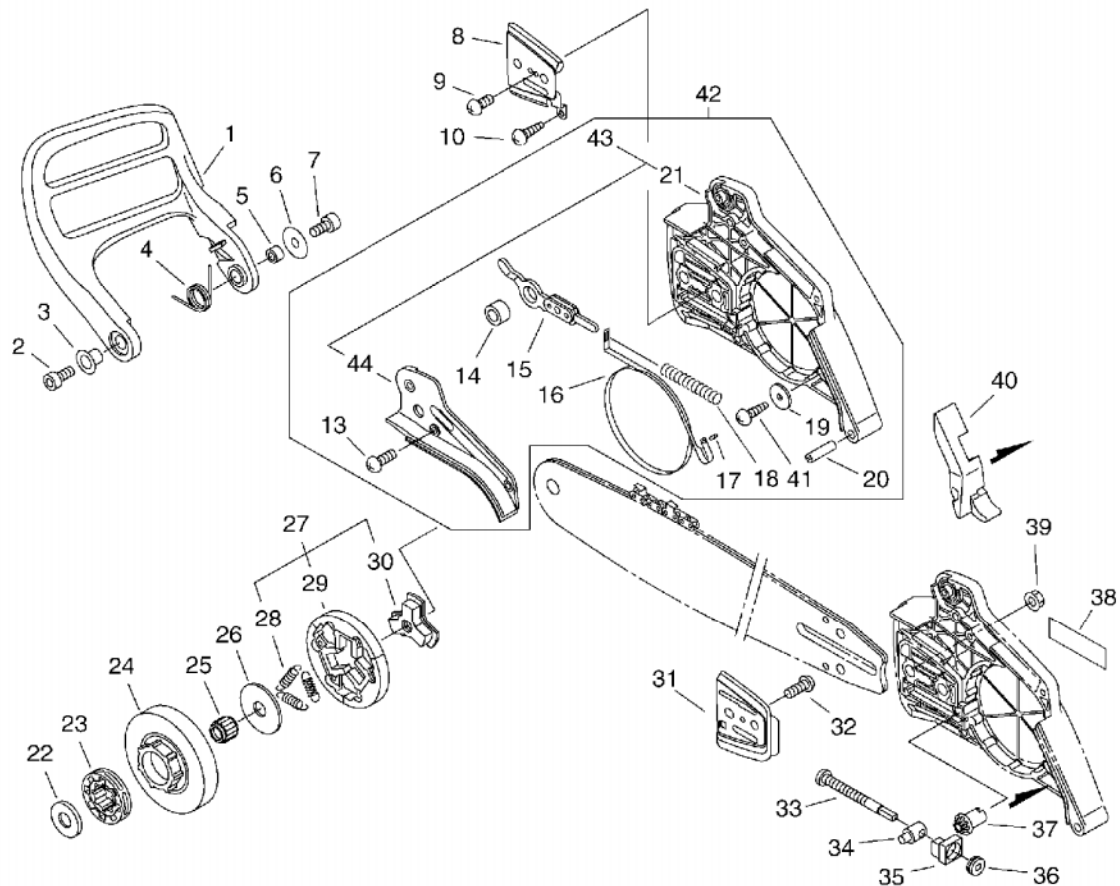
KEY	LV	PART NUMBER	Q'TY	DESCRIPTION	REMARKS	NOTE1	NOTE2
20	+	900342-60025	1	PIN, SPRING	6*25		
21	+	C300-000350	1	GUARD, SPROCKET		Sr/Nr 36008773 and before, Sus. by P021015240	
41	+	900253-04016	1	SCREW 4*16	4*16		
22		A551-000000	1	PLATE,CLUTCH	12*24.5*2.3		
23		175114-12530	1	SPROCKET, RIM .325			
24		A556-000020	1	DRUM,CLUTCH		Sus. by A556- 000021	
24		A556-000021	1	DRUM,CLUTCH			
25		V557-000010	1	BEARING,NEEDLE 12	8Q-K12*15*10		
26		A551-000060	1	PLATE,CLUTCH			
27		A056-000110	1	CLUTCH		Sus. by A056- 000111	
28	+	V451-000500	3	SPRING,TENSION			
29	+	P021-007050	1	CLUTCH SHOE SET			
30	+	A552-000050	1	HUB,CLUTCH		Sus. by A552- 000090	
31		433013-35432	1	PLATE, GUIDE (INNER)			
32		900220-04006	1	SCREW 4*6	4*6		
33		V203-000110	1	BOLT,5			
34		C309-000030	1	TENSIONER,CHAIN			
35		V355-000270	1	COLLAR,8			
36		V651-000011	1	GEAR,BEVEL			
37		V651-000001	1	GEAR,BEVEL			

6. Clutch, Sprocket(Sr/Nr 36008773 and before)



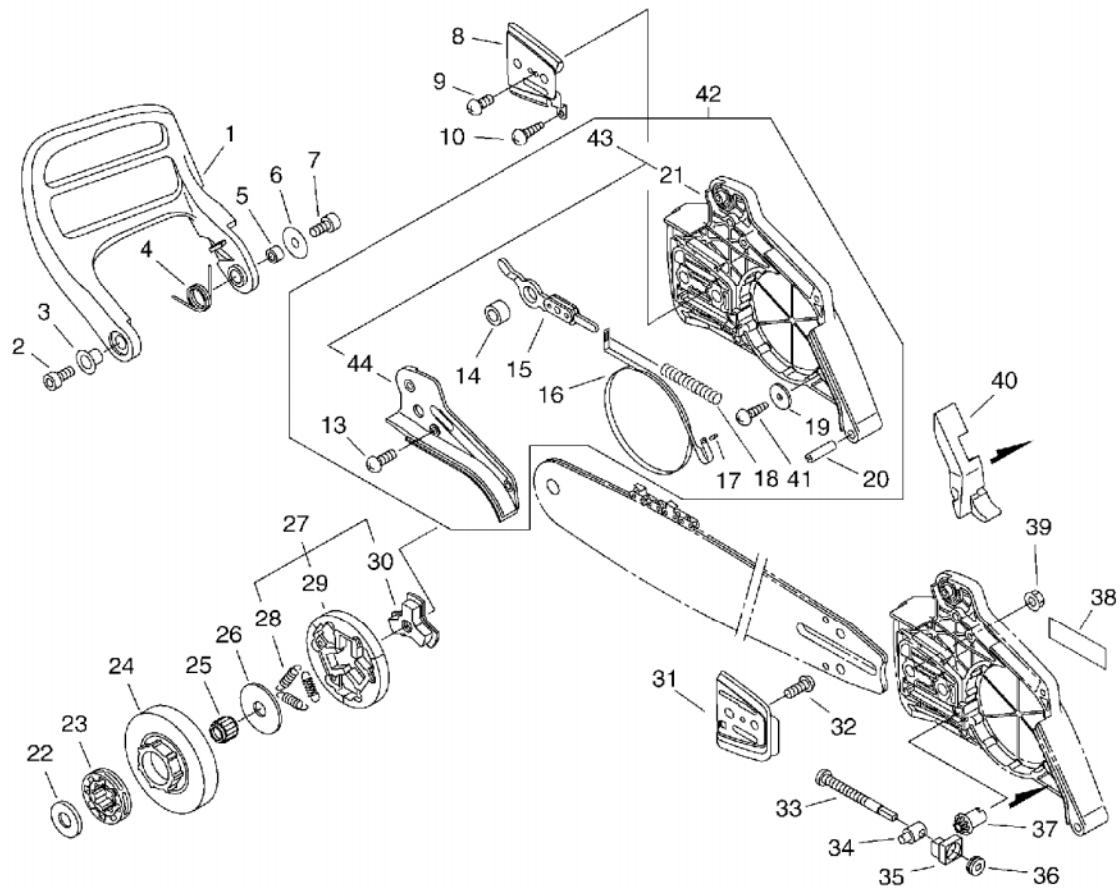
KEY	LV	PART NUMBER	Q'TY	DESCRIPTION	REMARKS	NOTE1	NOTE2
38		X502-000340	1	LABEL,ECHO	ECHO(WHITE)		
39		433019-12330	2	NUT, FLANGE 8	M-8		
40		C302-000000	1	PAD, GUARD			

7. Clutch, Sprocket(Sr/Nr 36008774 and after)



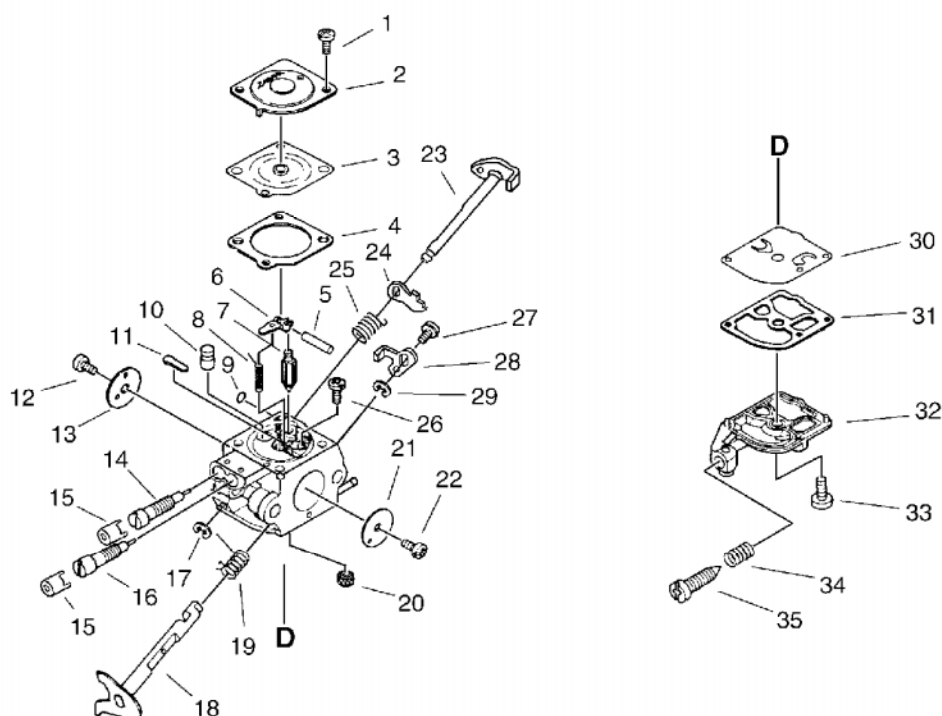
KEY	LV	PART NUMBER	Q'TY	DESCRIPTION	REMARKS	NOTE1	NOTE2
1		C320-000141	1	LEVER, BRAKE			
2		900105-05030	1	BOLT, H.S. 5*30	5*30		
3		V356-000300	1	COLLAR,10			
4		V452-000250	1	SPRING, TORSION			
5		433116-35430	1	SPACER 8	8*12*9		
6		177214-03930	1	WASHER			
7		V202-000120	1	BOLT,4			
8		C305-000001	1	PLATE, SPROCKET GUARD			
9		900220-03006	1	SCREW 3*6	3*6		
10		V202-000060	1	BOLT,4	4*12		
42		C032-000321	1	BRAKE ASY, CHAIN		Sr/Nr 36008774 and after	
13	+	V202-000060	3	BOLT,4	4*12		
14	+	433116-35430	1	SPACER 8	8*12*9		
15	+	C334-000090	1	CONNECTOR, BRAKE			
16	+	C328-000110	1	BAND, BRAKE			
17	+	900330-30120	1	PIN	3*12		
18	+	V450-000070	1	SPRING, COMPRESSION			
19	+	351249-06960	1	WASHER			
20	+	900342-60025	1	PIN, SPRING	6*25		
43	+	P021-015240	1	GUARD, SPROCKET KIT		Sr/Nr 36008774 and after	
21	++	C300-000351	1	GUARD, SPROCKET		Sr/Nr 36008774 and after	
44	++	C345-000241	1	COVER, BRAKE		Sr/Nr 36008774 and after	

7. Clutch, Sprocket(Sr/Nr 36008774 and after)



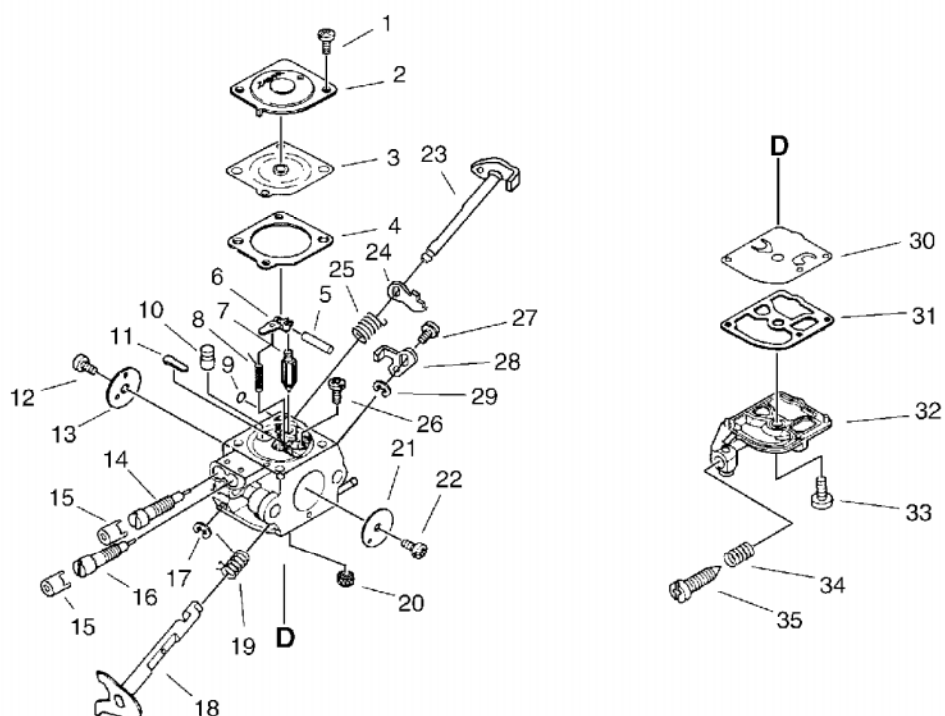
KEY	LV	PART NUMBER	Q'TY	DESCRIPTION	REMARKS	NOTE1	NOTE2
41	+	900253-04016	1	SCREW 4*16	4*16		
22		A551-000000	1	PLATE,CLUTCH	12*24.5*2.3		
23		175114-12530	1	SPROCKET, RIM .325			
24		A556-000021	1	DRUM,CLUTCH			
25		V557-000010	1	BEARING,NEEDLE 12	8Q-K12*15*10		
26		A551-000060	1	PLATE,CLUTCH			
27		A056-000111	1	CLUTCH			
28	+	V451-000500	3	SPRING,TENSION			
29	+	P021-007050	1	CLUTCH SHOE SET			
30	+	A552-000090	1	HUB, CLUTCH			
31		433013-35432	1	PLATE, GUIDE (INNER)			
32		900220-04006	1	SCREW 4*6	4*6		
33		V203-000110	1	BOLT,5			
34		C309-000030	1	TENSIONER,CHAIN			
35		V355-000270	1	COLLAR,8			
36		V651-000011	1	GEAR,BEVEL			
37		V651-000001	1	GEAR,BEVEL			
38		X502-000340	1	LABEL,ECHO	ECHO(WHITE)		
39		433019-12330	2	NUT, FLANGE 8	M-8		
40		C302-000000	1	PAD, GUARD			

8. Carburetor



KEY	LV	PART NUMBER	Q'TY	DESCRIPTION	REMARKS	NOTE1	NOTE2
		A021-001000	1	CARBURETOR,DIAPHRAGM	C1Q-K79		
1	+	125344-52130	2	SCREW			
2	+	125342-52130	1	COVER, DIAPHRAGM			
3	+	125341-49030	1	DIAPHRAGM			
4	+	125340-42030	1	GASKET, DIAPHRAGM			
5	+	125338-13930	1	PIN, METERING ARM			
6	+	125323-08260	1	ARM, VALVE			
7	+	125337-08260	1	VALVE, INLET NEEDLE			
8	+	125322-13930	1	SPRING, COIL			
9	+	125345-13310	1	PLUG, WELCH			
10	+	P005-000770	1	NOZZLE CHECK VALVE			
11	+	125345-51030	1	PLUG, WELCH			
12	+	125314-51230	1	SCREW	3*4.5		
13	+	P005-000900	1	VALVE, CHOKE			
14	+	P005-001830	1	SCREW,MAINN MIXTURE			
15	+	A259-000050	2	CAP, LIMITER			
16	+	P005-001820	1	SCREW, IDLE MIXTURE			
17	+	125327-15130	1	CLIP			
18	+	P005-000780	1	SHAFT ASY,THROTTLE			
19	+	P005-000790	1	SPRING,THRT.RETURN			
20	+	P005-000860	1	SCREEN, FUEL INLET			
21	+	P005-000810	1	VALVE, THROTTLE			
22	+	125314-13930	1	SCREW	3*4		
23	+	P005-001310	1	SHAFT, CHOKE			
24	+	P005-001300	1	LEVER, CHOKE			
25	+	P005-000880	1	SPRING, CHOKE RETURN			

8. Carburetor



KEY	LV	PART NUMBER	Q'TY	DESCRIPTION	REMARKS	NOTE1	NOTE2
26	+	125339-13930	1	SCREW			
27	+	125348-13930	1	SCREW			
28	+	P005-000800	1	LEVER, THROTTLE			
29	+	125327-13930	1	CLIP			
30	+	P005-000820	1	DIAPHRAGM, PUMP			
31	+	125325-08360	1	GASKET, PUMP			
32	+	P005-000830	1	COVER, PUMP			
33	+	125310-13930	1	SCREW			
34	+	125333-06960	1	SPRING, IDLE ADJUSTER			
35	+	125344-08560	1	SCREW			

Index

Patrs Number	Key No.	Patrs Number	Key No.	Patrs Number	Key No.
100011-39730	1 - 8	131328-40630	4 - 18	437002-38330	5 - 1
100015-32330	1 - 10	132010-38331	4 - 13	437015-37330	5 - 4
100142-30830	1 - 13	132012-39331	4 - 20	437016-38330	5 - 2
100215-03930	1 - 37	132013-26630	4 - 14	437019-38330	5 - 6
100910-38330	4 - 10	132013-26630	4 - 19	437024-37330	5 - 5
100915-32530	4 - 8	132013-26630	5 - 11	437029-37330	5 - 3
100915-33930	1 - 31	132115-04920	4 - 12	437062-38330	5 - 7
100918-38330	1 - 30	132115-12330	5 - 12	437210-38330	5 - 13
100918-38330	4 - 7	145510-35431	2 - 27	437229-38331	5 - 10
100921-38330	1 - 32	159025-37530	1 - 52	890157-39130	4 - 29
100921-38330	4 - 9	162010-38332	2 - 13	890345-39230	1 - 23
101100-21360	1 - 49	163400-38330	2 - 20	895811-00130	5 - 18
101113-37530	1 - 50	163413-38930	2 - 17	898510-39130	5 - 16
101119-37530	1 - 51	163804-38935	2 - 16	898548-14531	5 - 19
101520-35430	1 - 35	163810-38933	2 - 18	898568-14530	5 - 20
101578-38431	1 - 26	163890-38330	1 - 24	900105-05012	1 - 33
123127-15030	5 - 8	175114-12530	6 - 23	900105-05014	2 - 25
125310-13930	8 - 33	175114-12530	7 - 23	900105-05030	6 - 2
125314-13930	8 - 22	175310-38330	5 - 15	900105-05030	7 - 2
125314-51230	8 - 12	177214-02830	3 - 16	900105-06014	2 - 24
125322-13930	8 - 8	177214-03930	6 - 6	900106-05020	1 - 6
125323-08260	8 - 6	177214-03930	7 - 6	900162-04016	1 - 44
125325-08360	8 - 31	177218-19830	3 - 10	900162-04030	3 - 5
125327-13930	8 - 29	177220-35430	3 - 20	900162-05014	1 - 27
125327-15130	8 - 17	177221-35430	3 - 19	900162-05022	1 - 5
125333-06960	8 - 34	177226-19830	3 - 17	900162-05050	2 - 10
125337-08260	8 - 7	177227-37930	3 - 23	900220-03006	6 - 9
125338-13930	8 - 5	177228-35430	3 - 21	900220-03006	7 - 9
125339-13930	8 - 26	177234-35430	3 - 8	900220-04006	2 - 12
125340-42030	8 - 4	177247-04630	3 - 11	900220-04006	6 - 32
125341-49030	8 - 3	178810-14534	2 - 19	900220-04006	7 - 32
125342-52130	8 - 2	351111-19830	4 - 11	900223-04016	5 - 9
125344-08560	8 - 35	351155-35430	4 - 1	900238-05012	1 - 1
125344-52130	8 - 1	351249-06960	6 - 19	900238-05012	3 - 15
125345-13310	8 - 9	351249-06960	7 - 19	900238-05016	1 - 40
125345-51030	8 - 11	433011-19830	1 - 39	900238-05018	3 - 25
125348-13930	8 - 27	433013-35432	6 - 31	900253-04014	4 - 2
130000-38331	2 - 1	433013-35432	7 - 31	900253-04016	6 - 41
130010-38330	2 - 4	433019-12330	6 - 39	900253-04016	7 - 41
130016-39930	1 - 3	433019-12330	7 - 39	900296-03014	3 - 22
130020-33330	2 - 3	433116-35430	6 - 5	900330-30120	6 - 17
130110-38330	2 - 5	433116-35430	6 - 14	900330-30120	7 - 17
130310-38331	2 - 8	433116-35430	7 - 5	900342-60025	6 - 20
130338-32430	1 - 21	433116-35430	7 - 14	900342-60025	7 - 20
130405-38332	2 - 7	436018-38330	1 - 38	900345-40030	4 - 6
130430-38330	2 - 11	436018-38330	1 - 38	900515-00008	3 - 7
130510-39932	1 - 2	436019-38330	1 - 43	900603-00005	3 - 9
131205-19830	4 - 15	436114-13930	1 - 45	900720-00022	4 - 24
131300-56430	4 - 17	436205-14730	5 - 14	900721-00025	1 - 48

Index

Patrs Number	Key No.	Patrs Number	Key No.	Patrs Number	Key No.
900810-36202	1 - 17	C328-000110	7 - 16	V203-000090	3 - 12
91100-06008	2 - 22	C334-000090	6 - 15	V203-000110	6 - 33
91145-05016	4 - 27	C334-000090	7 - 15	V203-000110	7 - 33
91145-05020	4 - 25	C345-000240	6 - 12	V308-000010	1 - 12
A021-001000	2 - 6	C345-000241	7 - 44	V355-000270	6 - 35
A021-001000	8 -	C400-000010	4 - 26	V355-000270	7 - 35
A056-000110	6 - 27	C418-000040	4 - 28	V356-000300	6 - 3
A056-000111	7 - 27	C450-000212	4 - 4	V356-000300	7 - 3
A160-000102	1 - 25	C454-000150	2 - 14	V420-001130	2 - 2
A172-000062	3 - 13	C460-000072	4 - 3	V450-000070	6 - 18
A204-000004	2 - 9	C482-000000	2 - 15	V450-000070	7 - 18
A232-000023	1 - 20	P005-000770	8 - 10	V451-000500	6 - 28
A235-000020	1 - 18	P005-000780	8 - 18	V451-000500	7 - 28
A241-000100	2 - 21	P005-000790	8 - 19	V452-000250	6 - 4
A259-000050	8 - 15	P005-000800	8 - 28	V452-000250	7 - 4
A319-000080	2 - 23	P005-000810	8 - 21	V452-000260	4 - 5
A365-000050	1 - 47	P005-000820	8 - 30	V508-000000	1 - 16
A365-000050	4 - 23	P005-000830	8 - 32	V556-000000	1 - 11
A409-000030	3 - 6	P005-000860	8 - 20	V557-000010	6 - 25
A411-000031	3 - 4	P005-000880	8 - 25	V557-000010	7 - 25
A425-000000	3 - 1	P005-000900	8 - 13	V609-000000	1 - 9
A426-000010	3 - 2	P005-001300	8 - 24	V651-000001	6 - 37
A427-000012	3 - 3	P005-001310	8 - 23	V651-000001	7 - 37
A506-000100	3 - 18	P005-001820	8 - 16	V651-000011	6 - 36
A551-000000	6 - 22	P005-001830	8 - 14	V651-000011	7 - 36
A551-000000	7 - 22	P021-001062	1 - 7	V652-000000	1 - 15
A551-000060	6 - 26	P021-001071	1 - 14	X502-000340	6 - 38
A551-000060	7 - 26	P021-004080	1 - 4	X502-000340	7 - 38
A552-000050	6 - 30	P021-004081	1 - 4	X502-000410	3 - 24
A552-000090	7 - 30	P021-007050	6 - 29	X503-008310	1 - 19
A556-000020	6 - 24	P021-007050	7 - 29	X505-000000	1 - 53
A556-000021	6 - 24	P021-007630	1 - 46	X505-000180	1 - 22
A556-000021	7 - 24	P021-010600	4 - 22	X602-000080	5 - 17
C032-000320	6 - 11	P021-012470	1 - 36		
C032-000321	7 - 42	P021-012550	1 - 42		
C300-000321	1 - 41	P021-012560	4 - 16		
C300-000350	6 - 21	P021-013460	2 - 26		
C300-000351	7 - 21	P021-013480	3 - 14		
C302-000000	6 - 40	P021-013481	3 - 14		
C302-000000	7 - 40	P021-015240	7 - 43		
C304-000030	1 - 34	V135-000010	1 - 54		
C305-000001	6 - 8	V150-001740	1 - 29		
C305-000001	7 - 8	V162-000040	4 - 21		
C309-000030	6 - 34	V202-000060	6 - 10		
C309-000030	7 - 34	V202-000060	6 - 13		
C310-000000	1 - 28	V202-000060	7 - 10		
C320-000140	6 - 1	V202-000060	7 - 13		
C320-000141	7 - 1	V202-000120	6 - 7		
C328-000110	6 - 16	V202-000120	7 - 7		

YAMABIKO CORPORATION

7-2 SUEHIROCHO 1-CHOME, OHME, TOKYO 198-8760, JAPAN
PHONE: 81-428-32-6118. FAX: 81-428-32-6145.

