

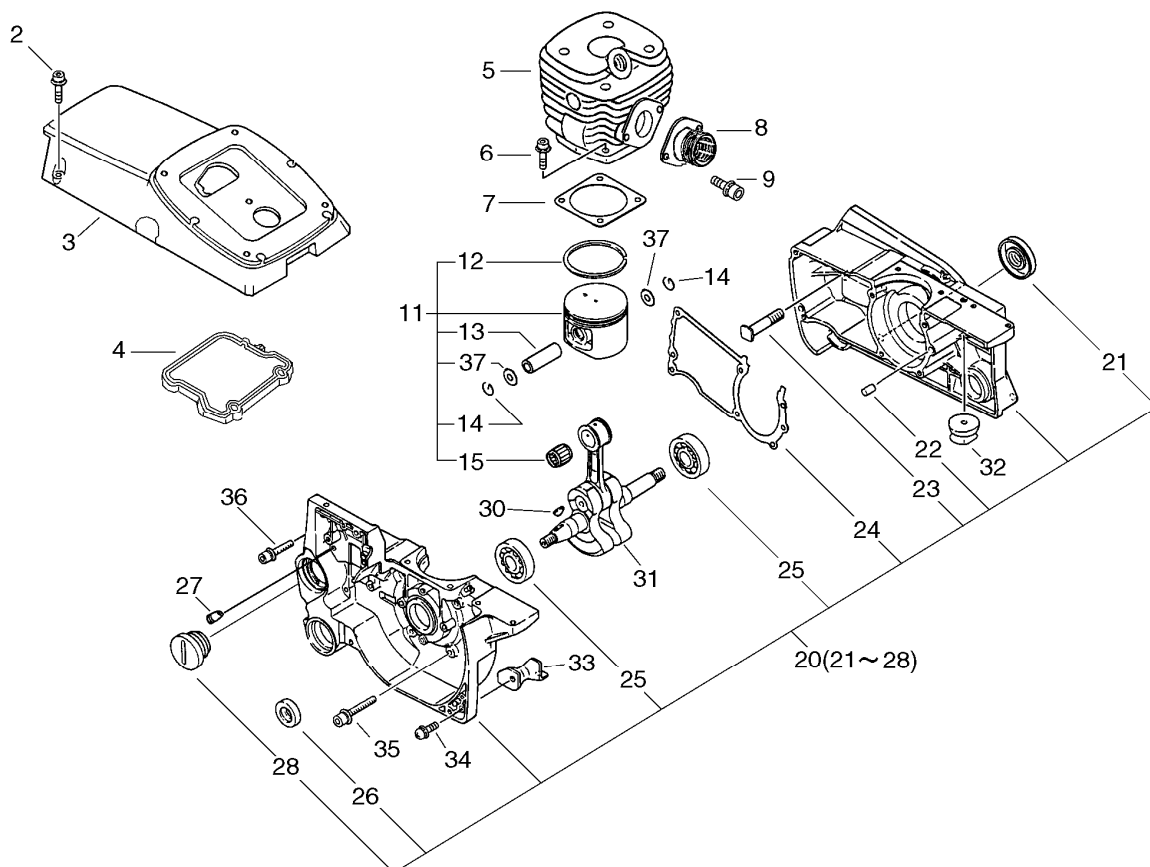


PARTS CATALOGUE

ENGINE CUTTER CSG-680(36)

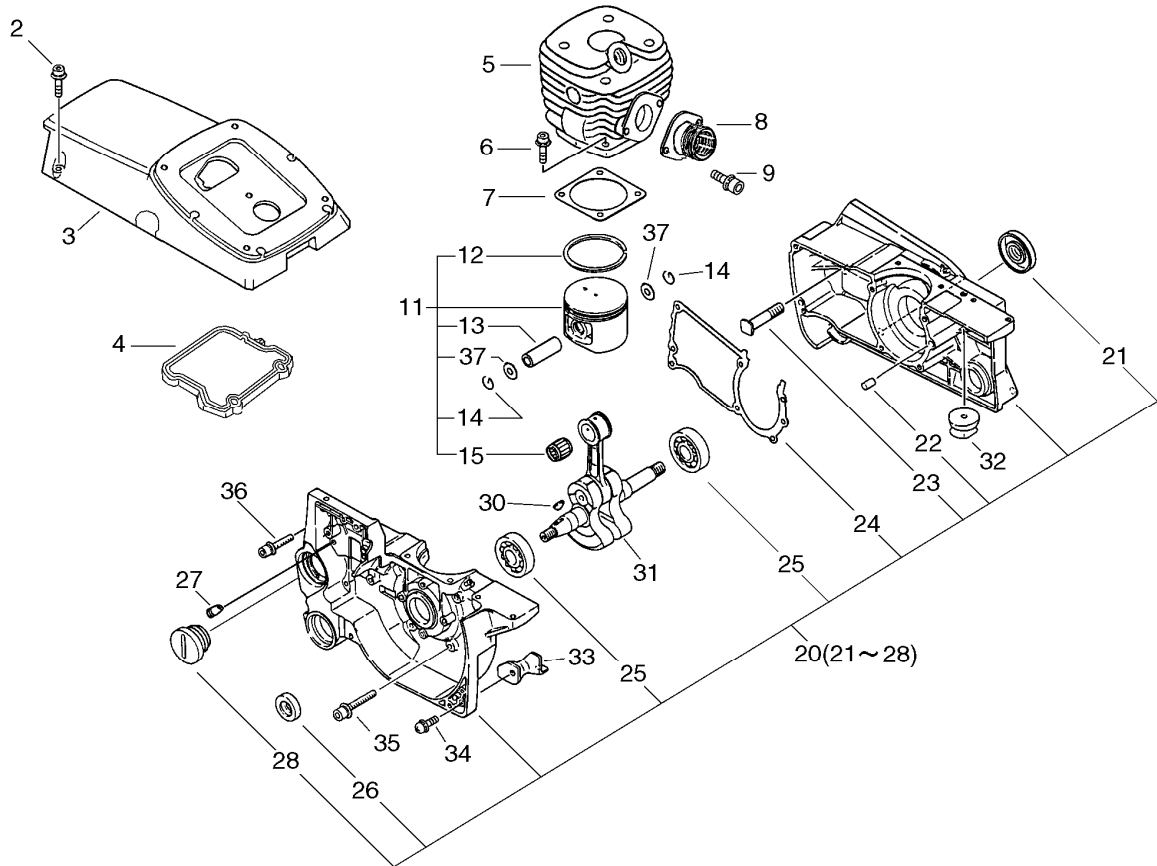
36001681 -

1. CYLINDER, CRANKCASE, PISTON



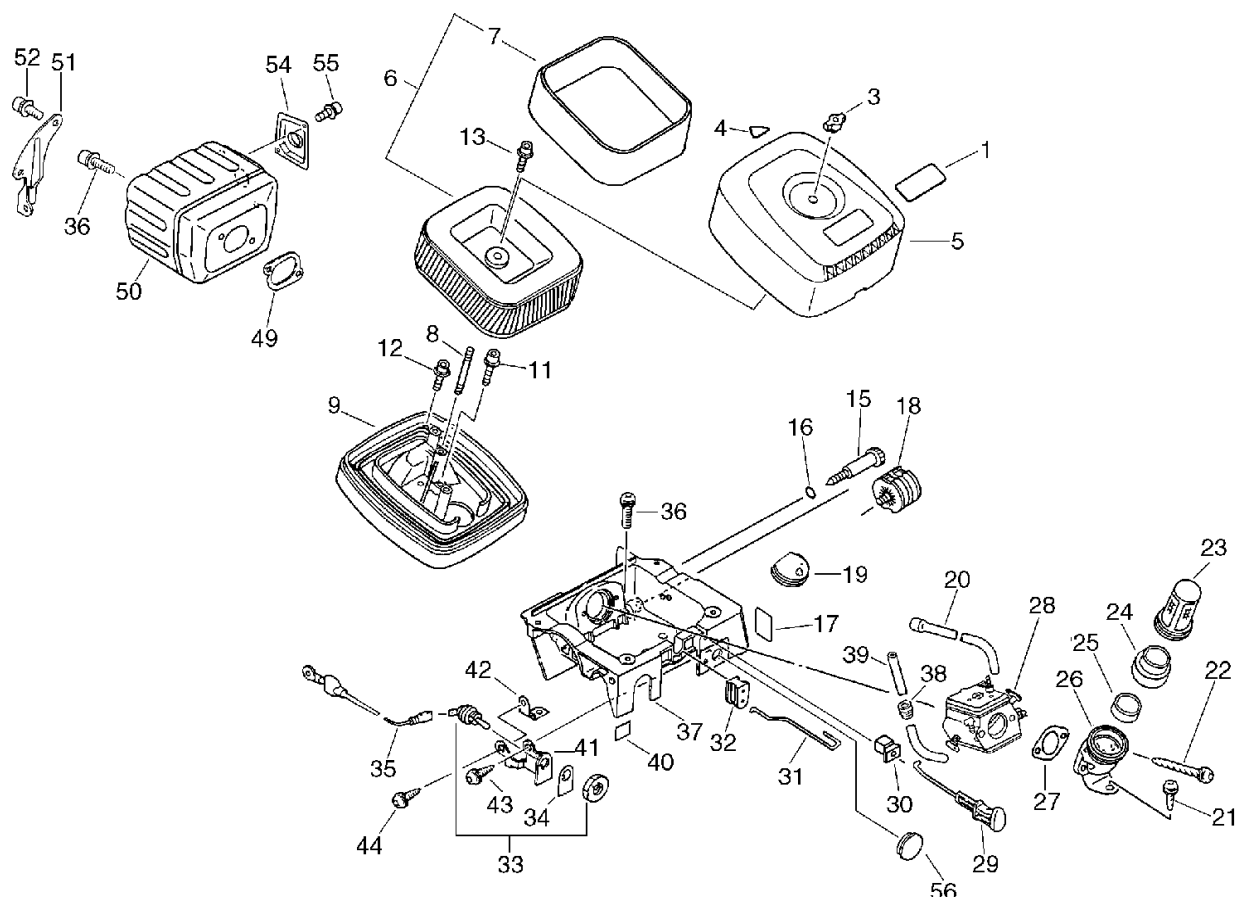
KEY	LV	PART NUMBER	Q'TY	DESCRIPTION	REMARKS	NOTE1	NOTE2
2		900162-05020	5	BOLT, H.S. 5*20	5*20 W,SW		
3		A160-000601	1	COVER,CYLINDER			
4		V420-000701	1	CUSHION			
5		A130-000172	1	CYLINDER		Sus. by A130000980	
5		A130-000980	1	CYLINDER			
6		900162-05025	4	BOLT, H.S. 5*25	5*25 W,SW		
7		101010-32431	1	GASKET, CYL. BASE			
8		A202-000040	1	BELLOWS,INTAKE			
9		900162-05014	2	BOLT, H.S. 5*14	5*14 W,SW		
11		P021-015290	1	PISTON KIT			
12	+	A101-000150	1	RING, PISTON	50*1.2*2.2		
13	+	V610-000000	1	PIN,ENG 12			
14	+	V580-000000	2	RING,END			
15	+	100012-32430	1	BEARING, NEEDLE			
37	+	100014-18430	2	SPACER, PISTON PIN			
20		P021-007490	1	CRANKCASE KIT			
21	+	100212-32430	1	OILSEAL (L)	25Z-15*39.9*7		
22	+	100215-02830	2	PIN, DOWEL			
23	+	433011-21860	2	STUD, GUIDE BAR			
24	+	100242-32430	1	GASKET, CRANKCASE			
25	+	900810-36202	2	BEARING, BALL 6202	6202/C3		
26	+	100212-19830	1	OILSEAL	ISM 15*25*6		
27	+	436114-13930	1	VALVE, CHECK			
28	+	436013-06061	1	PLUG			

1. CYLINDER, CRANKCASE, PISTON



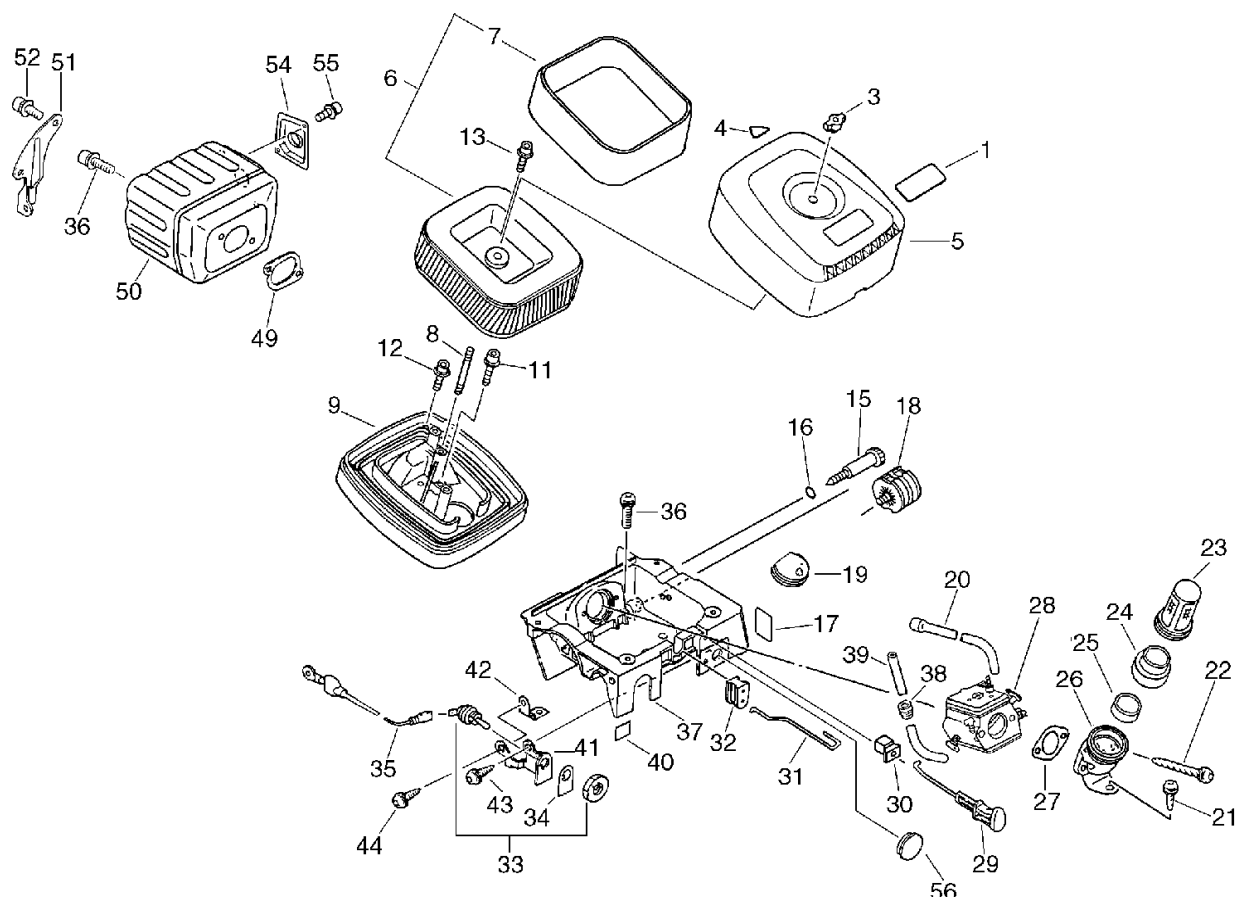
KEY	LV	PART NUMBER	Q'TY	DESCRIPTION	REMARKS	NOTE1	NOTE2
30		100142-30830	1	KEY, WOODRUFF			
31		A011-000292	1	CRANKSHAFT,ASM			
32		100251-32430	1	CUSHION (A)			
33		100917-32430	1	CUSHION (B)			
34		900238-05014	1	SCREW 5*14	5*14		
35		900162-05035	4	BOLT, H.S. 5*35	5*35 W,SW		
36		900162-05020	2	BOLT, H.S. 5*20	5*20 W,SW		

2. AIR CLEANER, CARBURETOR, MUFFLER



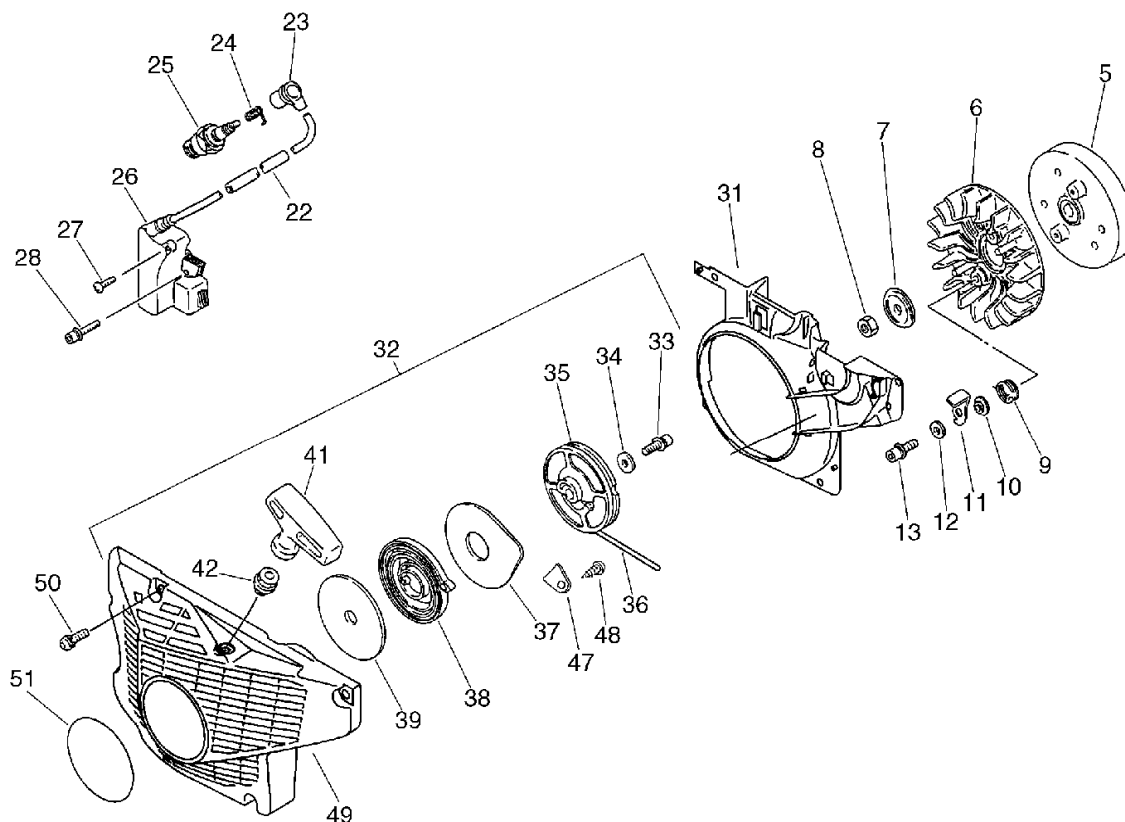
KEY	LV	PART NUMBER	Q'TY	DESCRIPTION	REMARKS	NOTE1	NOTE2
1		X503-005551	1	LABEL,MODEL			
3		130322-05261	1	NUT			
4		890057-07060	1	LABEL			
5		130313-06061	1	COVER, AIR CLEANER			
6		130305-07061	1	FILTER, AIR			
7	+	130305-25061	1	FILTER, AIR			
8		130712-06061	1	STUD	5*42		
9		A225-000130	1	CASE,CLEANER			
11		900238-05025	1	SCREW 5*25	5*25		
12		900238-05016	4	SCREW 5*16	5*16		
13		130435-07060	2	BOLT			
15		129013-30831	1	SCREW, IDLE SPEED			
16		900720-20007	1	O-RING 7	P-7		
17		890185-03460	1	LABEL, IDLE			
18		100905-32331	1	CUSHION (R)			
19		V140-000010	1	GROMMET,HOSE			
20		130110-19830	1	PIPE, IMPULSE			
21		900252-05014	1	SCREW 5*14	5*14		
22		900252-05053	2	SCREW 5*53	5*53		
23		130821-06060	1	SCREEN			
24		V420-000691	1	CUSHION			
25		V362-000020	1	COLLAR,22			
26		A204-000030	1	ELBOW,CARBURETOR			
27		130010-20760	1	GASKET, INTAKE			
28		A021-000730	1	CARBURETOR,DIAPHRAGM	HDA-216		
29		178510-32330	1	ROD, CHOKE			

2. AIR CLEANER, CARBURETOR, MUFFLER



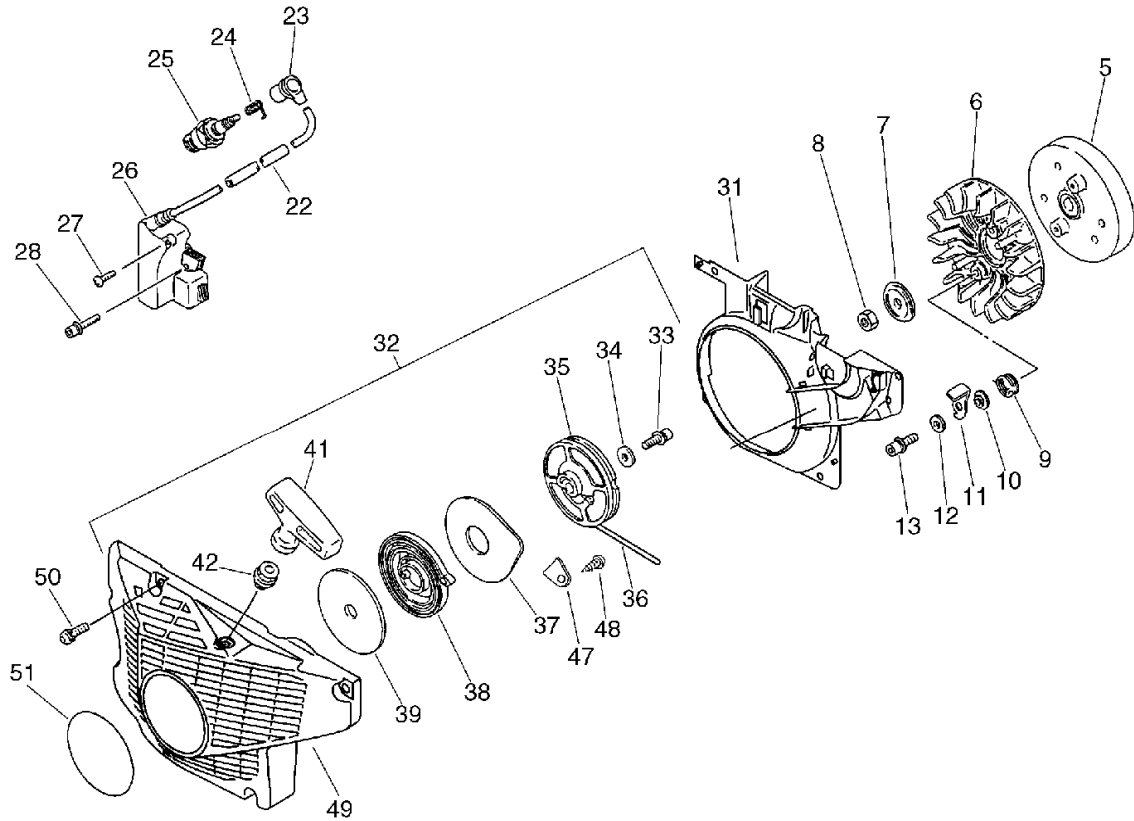
KEY	LV	PART NUMBER	Q'TY	DESCRIPTION	REMARKS	NOTE1	NOTE2
30		178810-33331	1	GROMMET, CHOKE			
31		178011-32630	1	ROD, THROTTLE			
32		178114-32630	1	HOLDER, THR. LEVER			
33		163400-30830	1	SWITCH, IGNITION			
34		890157-30130	1	LABEL, SWITCH			
35		162021-32530	1	LEAD			
36		900162-05020	6	BOLT, H.S. 5*20	5*20 W,SW		
37		A220-000030	1	CASE, CARBURETOR			
38		132115-01461	1	GROMMET			
39		437211-14730	1	PIPE, OIL	6*3*130L		
40		890157-39130	1	LABEL, SWITCH			
41		163810-30130	1	BRACKET, SWITCH			
42		156635-32530	1	PLATE, GROUND			
43		900252-05010	1	SCREW 5*10	5*10		
44		900252-04010	1	SCREW 4*10	4*10		
49		145510-32431	1	GASKET, MUFFLER			
50		A300-000781	1	MUFFLER, EXHAUST			
51		145711-32430	1	BRACKET, MUFFLER			
52		900162-05014	2	BOLT, H.S. 5*14	5*14 W,SW		
54		A313-000460	1	GUIDE, EXH			
55		900162-04010	2	BOLT, H.S. 4*10	4*10 W,SW		
56		101578-38431	1	PLUG			

3. STARTER, MAGNETO



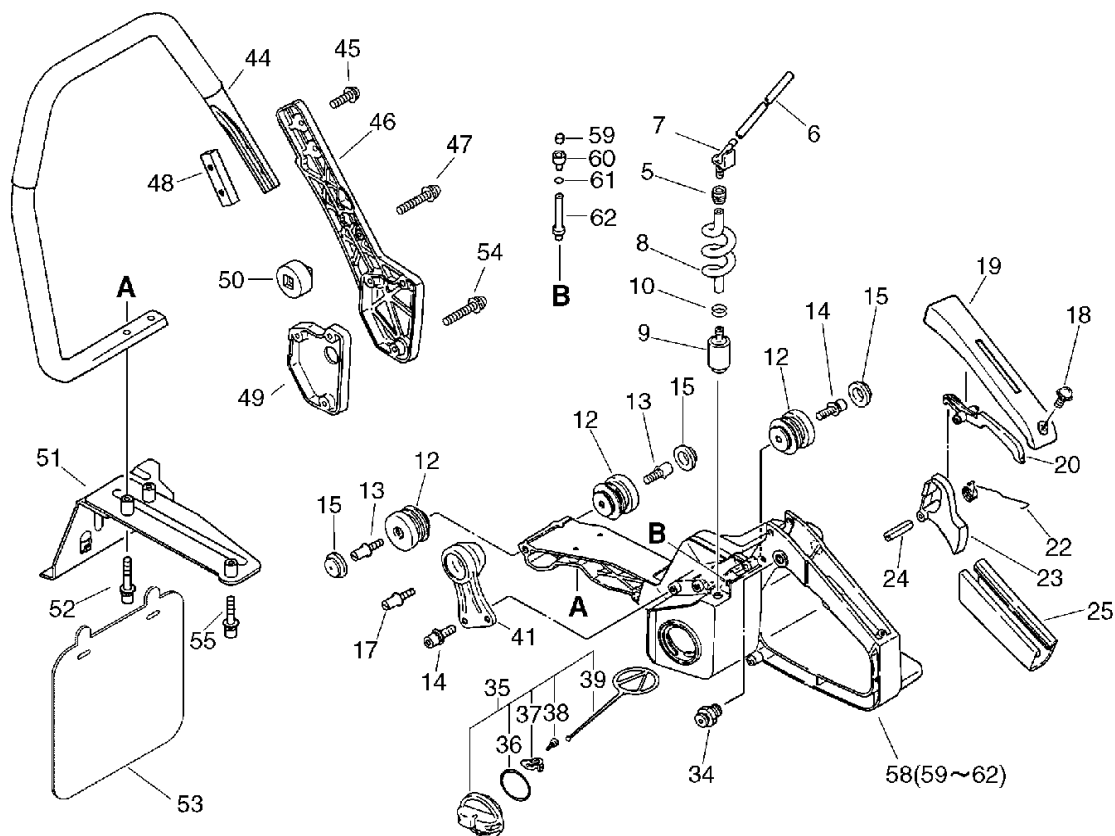
KEY	LV	PART NUMBER	Q'TY	DESCRIPTION	REMARKS	NOTE1	NOTE2
5		156800-32631	1	ROTOR, MAGNETO			
6		101521-32330	1	FAN, COOLING			
7		100143-19830	1	WASHER	8.2*31*0.8		
8		900500-00008	1	NUT 8	8*P1.25		
9		177234-19832	2	SPRING, RETURN			
10		V353-000201	2	COLLAR,5			
11		177218-32631	2	PAWL, STARTER			
12		900603-00005	2	WASHER 5	5.5*12*0.8		
13		V203-000150	2	BOLT,5	5*18		
22		156611-19830	1	TUBE			
23		A427-000013	1	CAP, SPARK PLUG			
24		A426-000010	1	TERMINAL, SPARK PLUG			
25		159010-10230	1	PLUG, SPARK (BPMR-7A)	BPMR-7A		
26		156601-32632	1	COIL, IGNITION			
27		900242-04008	1	SCREW	4*8		
28		900162-04020	2	BOLT, H.S. 4*20	4*20 W,SW		
31		A172-000130	1	COVER, FAN			
32		P021-007500	1	STARTER ASY			
33	+	900162-05014	1	BOLT, H.S. 5*14	5*14 W,SW		
34	+	900603-00005	1	WASHER 5	5.5*12*0.8		
35	+	177215-07060	1	DRUM, STARTER			
36	+	177226-06060	1	ROPE, STARTER	3.8*900		
37	+	177221-07060	1	PLATE, STARTER			
38	+	177220-02834	1	SPRING, REWIND			
39	+	177221-02830	1	PLATE, STARTER			
41	+	177228-30830	1	GRIP, STARTER			

3. STARTER, MAGNETO



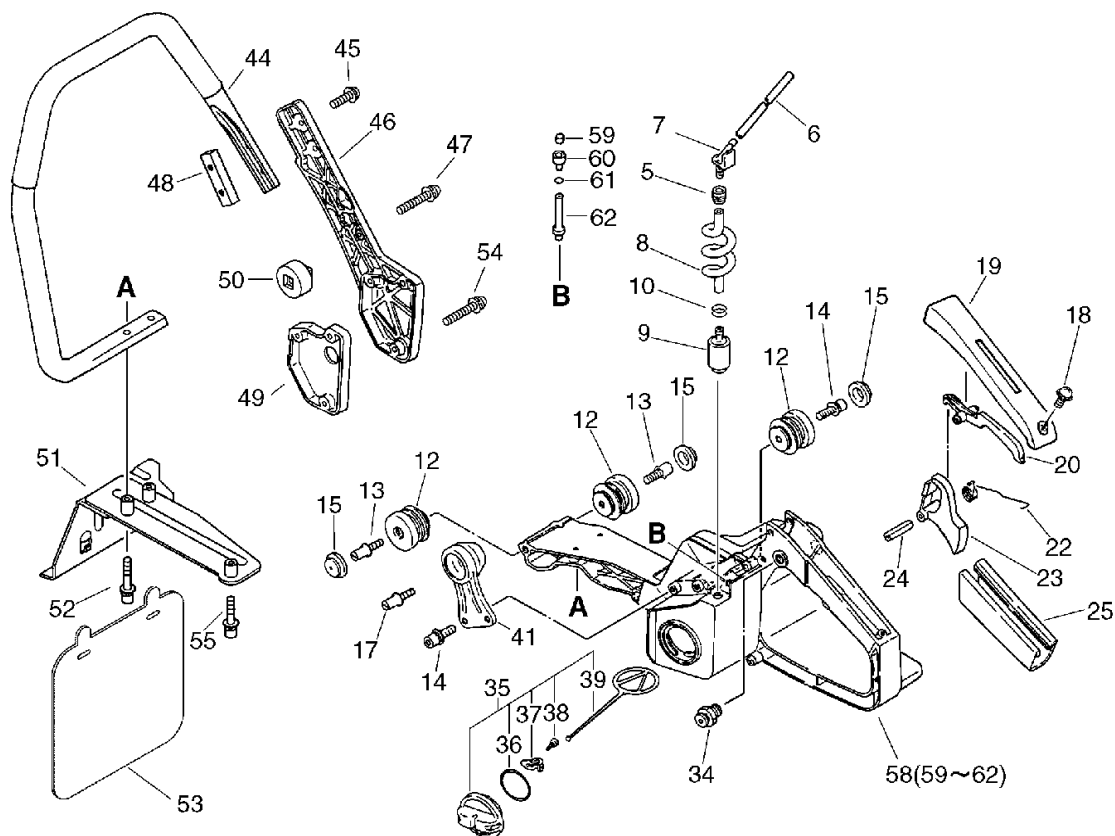
KEY	LV	PART NUMBER	Q'TY	DESCRIPTION	REMARKS	NOTE1	NOTE2
42	+	177227-07060	1	GUIDE, ROPE			
47	+	433144-15130	1	PLATE,EYE			
48	+	900253-04008	1	SCREW 4*8	4*8		
49	+	A500-000061	1	CASE,STARTER			
50		900162-05020	4	BOLT, H.S. 5*20	5*20 W,SW		
51		X502-000460	1	LABEL,ECHO			

4. HANDLE



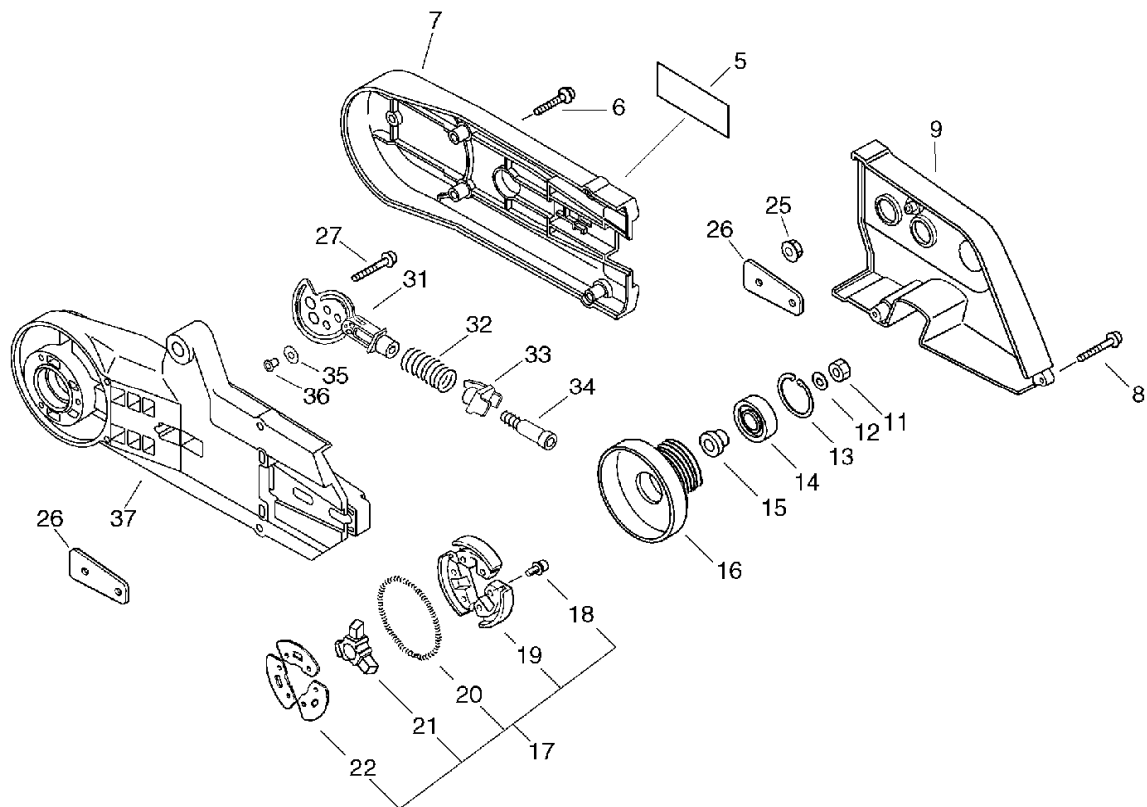
KEY	LV	PART NUMBER	Q'TY	DESCRIPTION	REMARKS	NOTE1	NOTE2
5		132115-01461	1	GROMMET			
6		437217-20760	1	PIPE 3*6*100	3*6*100 NBR		
7		132011-19831	1	CONNECTOR, FUEL PIPE			
8		132010-30830	1	PIPE			
9		131205-19831	1	STRAINER, FUEL			
10		132013-26630	1	CLIP	6.5MM		
12		100922-32430	3	CUSHION (A)			
13		100915-32530	2	BOLT			
14		900162-05014	2	BOLT, H.S. 5*14	5*14 W,SW		
15		100918-19830	3	CAP, CUSHION			
17		100915-33930	1	SCREW			
18		900238-04014	1	SCREW 4*14	4*14		
19		351155-35430	1	COVER, HANDLE (BL)			
20		178090-37930	1	LOCKOUT, T. CONTROL			
22		178043-19830	1	SPRING, THR. RETURN			
23		C450-000281	1	TRIGGER, THROTTLE			
24		900342-50025	1	PIN, SPRING 5*25	5*25		
25		351111-19830	1	GRIP, HANDLE			
34		178302-12330	1	LATCH, THROTTLE			
35		131004-37631	1	CAP ASSY, FUEL TANK			
36	+	900720-20029	1	O-RING 29	P-29		
37	+	131050-19830	1	RETAINER, LINK			
38	+	900246-03008	1	SCREW 3*8	3*8		
39	+	131051-19830	1	LINK	60L		
41		100921-32431	1	CUSHION(C)			
44		C400-000240	1	HANDLE, FRONT			

4. HANDLE



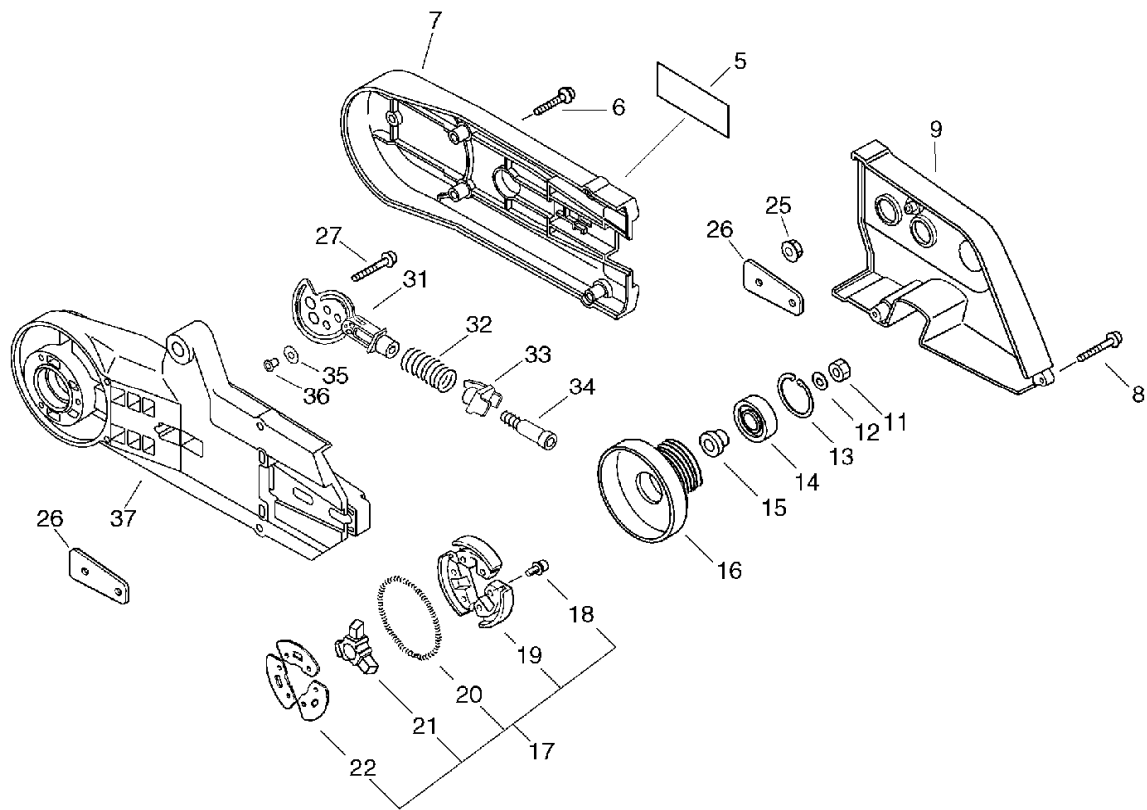
KEY	LV	PART NUMBER	Q'TY	DESCRIPTION	REMARKS	NOTE1	NOTE2
45		900238-05020	2	SCREW 5*20	5*20		
46		351616-38130	1	BRACKET, HANDLE			
47		900238-05030	1	SCREW 5*30	5*30		
48		305114-06060	1	BRACKET			
49		351612-06061	1	SPACER			
50		351630-06060	1	SPACER			
51		C423-000130	1	FIXTURE,HANDLE			
52		900162-05035	2	BOLT, H.S. 5*35	5*35 W,SW		
53		305115-06061	1	SHIELD			
54		900238-05035	3	SCREW 5*35	5*35		
55		900162-05030	1	BOLT, H.S. 5*30	5*30 W,SW		
58		P021-007480	1	HANDLE, REAR			
59	+	131300-56430	1	VALVE, CHECK			
60	+	131328-40630	1	COVER, VENT			
61	+	130111-00530	1	CLIP	5.5		
62	+	131312-32430	1	PIPE, VENT			

5. CLUTCH, ARM COVER



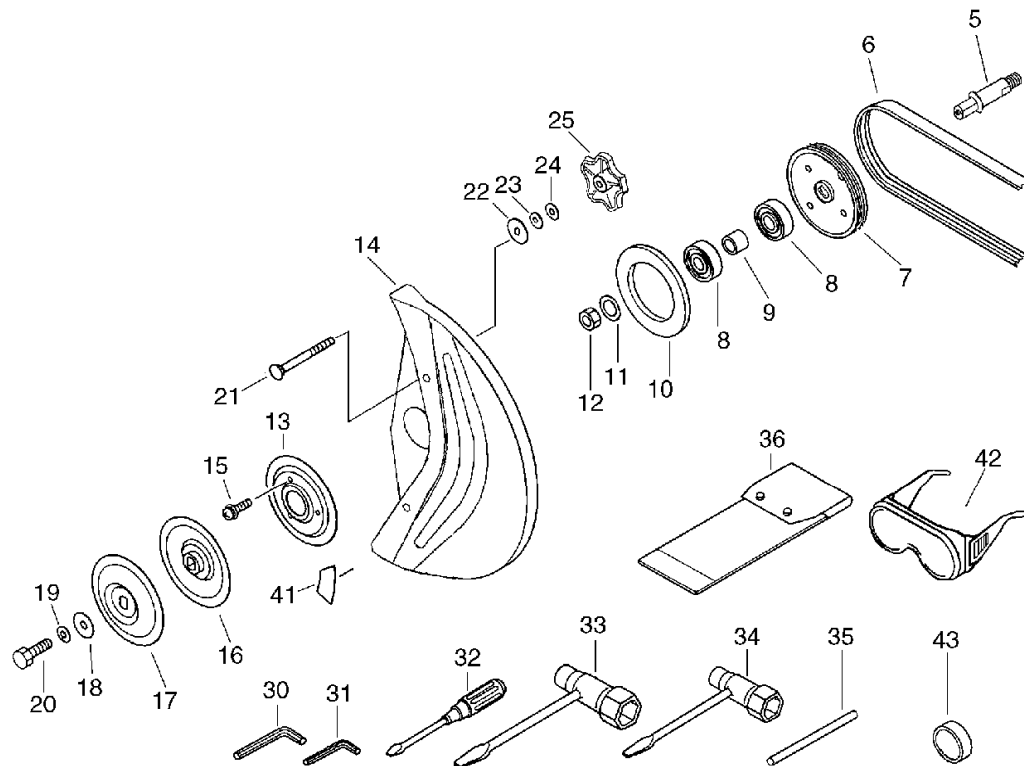
KEY	LV	PART NUMBER	Q'TY	DESCRIPTION	REMARKS	NOTE1	NOTE2
5		X502-000540	1	LABEL,ECHO			
7		C361-000010	1	COVER,CUTTER ARM			
6		900238-05025	4	SCREW 5*25	5*25		
8		900238-05025	3	SCREW 5*25	5*25		
9		611111-20760	1	COVER, V-BELT BS			
11		610320-03830	1	NUT 8 L-H			
12		900603-00008	1	WASHER 8	8.5*18*1.6		
13		900702-00028	1	CIRCLIP 28	CR-28		
14		94002-36001	1	BEARING, BALL			
15		V356-000260	1	COLLAR,10			
16		A556-000310	1	DRUM,CLUTCH			
17		175000-06061	1	CLUTCH ASSY			
18	+	900105-04006	6	BOLT, H.S. 4*6	4*6		
19		175002-32431	1	SHOE, CLUTCH			
20	+	175018-32430	1	SPRING, CLUTCH			
21	+	175016-16130	1	HUB, CLUTCH			
22	+	175019-16130	3	PLATE, CLUTCH			
25		433019-12330	2	NUT, FLANGE 8	M-8		
26		611117-06060	2	SPACER, ARM			
27		900162-05025	1	BOLT, H.S. 5*25	5*25 W,SW		
31		P021-006652	1	SHAFT,ARM ADJUST			
32		611216-05260	1	SPRING, ADJUSTER			
33		V455-000030	1	SEAT,SPRING			
34		V203-000070	1	BOLT,5			
35		175049-56030	1	WASHER	8.5*16*0.5		
36		104915-08260	1	SPACER			

5. CLUTCH, ARM COVER



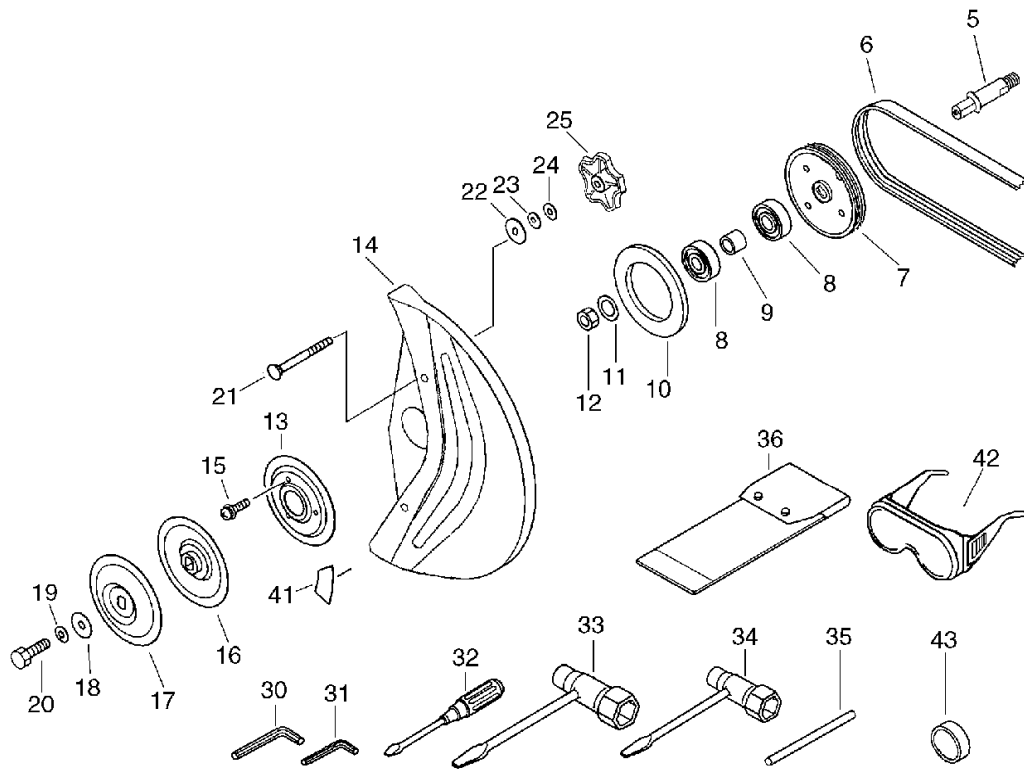
KEY	LV	PART NUMBER	Q'TY	DESCRIPTION	REMARKS	NOTE1	NOTE2
		37	1	ARM,CUTTER			

6. CUTTER COVER, BELT, TOOLS



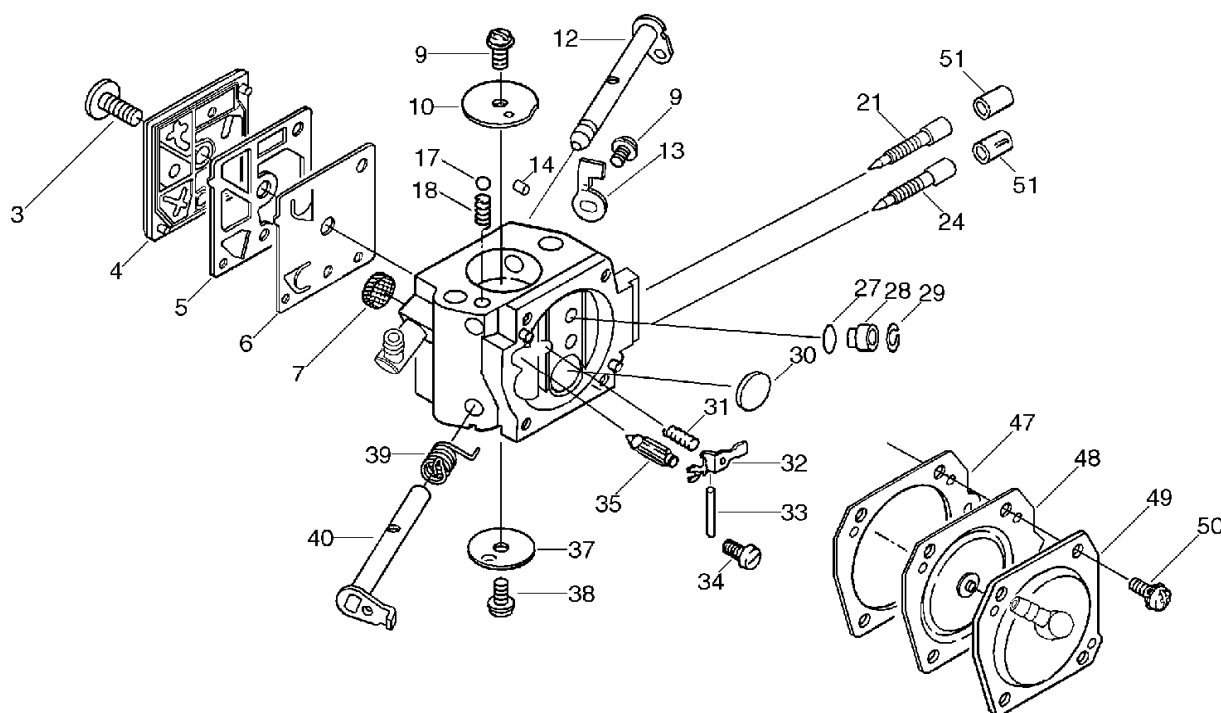
KEY	LV	PART NUMBER	Q'TY	DESCRIPTION	REMARKS	NOTE1	NOTE2
5		C364-000022	1	SHAFT,CUTTER			
6		V196-000090	1	BELT			
7		V176-000031	1	PULLEY			
8		900812-06202	2	BEARING, BALL 6202	6202DDU(LLU)		
9		606117-21860	1	COLLAR	15.1*19.1*8		
10		689024-05260	1	PLATE, CUSHION			
11		900602-00010	1	WASHER 10(10.5*21*2)	10.5*21*2		
12		900501-00010	1	NUT 10*1.25	10*P1.25		
13		C371-000000	1	PLATE,CUTTER COVER			
14		C370-000020	1	COVER,CUTTER			
15		900241-04010	3	SCREW 4*10	4*10		
16		611014-07062	1	FLANGE, CUTTER			
17		611015-07062	1	FLANGE, CUTTER			
18		611019-05260	1	WASHER			
19		900605-00010	1	WASHER, SPRING 10	10		
20		V206-000160	1	BOLT,10	M10*1.25*25		
21		V205-000300	1	BOLT,8	M8*1.25*50		
22		V306-000110	1	WASHER,CIRCULAR 8	8.6*28*T2		
23		900600-00008	1	WASHER 8	8		
24		900605-00008	1	WASHER, SPRING 8	8		
25		V299-000210	1	KNOB,FASTENER			
30		895610-00130	1	L-WRENCH (4MM)			
31		895612-03430	1	L-WRENCH (3MM)			
32		895811-00130	1	DRIVER, SCREW 125			
33		895410-10630	1	WRENCH, W/S. DRIVER			
34		895410-00430	1	WRENCH, W/S. DRIVER			

6. CUTTER COVER, BELT, TOOLS



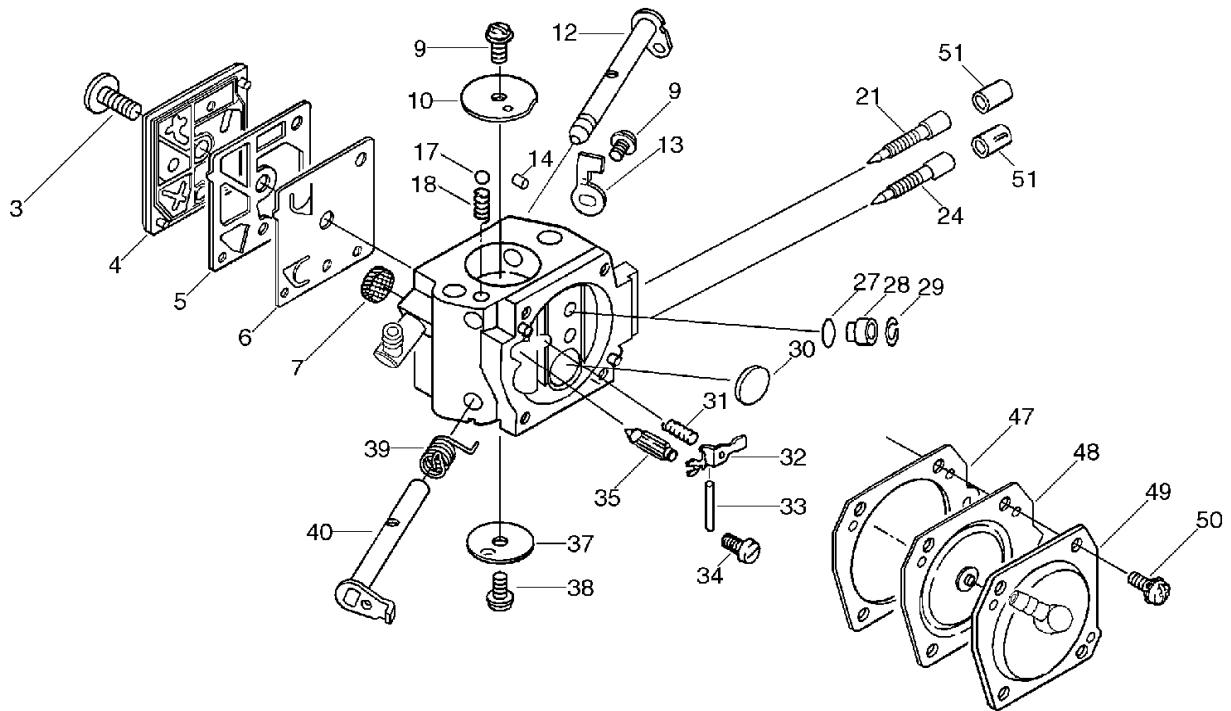
KEY	LV	PART NUMBER	Q'TY	DESCRIPTION	REMARKS	NOTE1	NOTE2
35		X606-000080	1	TOOL,BAR	5*120		
36		898510-39130	1	BAG, TOOL			
41		X505-001331	1	LABEL,CAUTION			
42		X690-000050	1	GOGGLE	GOGGLE + NOTE		
43		611022-09160	1	COLLAR 20*22*4.5			

7. CARBURETOR



KEY	LV	PART NUMBER	Q'TY	DESCRIPTION	REMARKS	NOTE1	NOTE2
		A021-000730	1	CARBURETOR,DIAPHRAGM	HDA-216		
3	+	123110-03930	1	SCREW, PUMP COVER			
4	+	123124-19830	1	COVER, FUEL PUMP			
5	+	123125-12330	1	GASKET, FUEL PUMP			
6	+	123112-12330	1	DIAPHRAGM, FUEL PUMP			
7	+	123126-10631	1	SCREEN, INLET			
9	+	123114-38830	2	SCREW			
10	+	123132-32430	1	VALVE, CHOKE			
12	+	123131-19830	1	SHAFT, CHOKE			
13	+	123156-30830	1	STOP, THROTTLE			
14	+	123178-15030	1	PLUG, FRICTION			
17	+	123136-10630	1	BALL, CHOKE FRICTION			
18	+	123135-10630	1	SPRING, CHOKE FRICT.			
21	+	123120-32631	1	NEEDLE, HIGH SPEED			
24	+	123118-02261	1	NEEDLE			
27	+	123183-40630	1	O-RING			
28	+	123184-06060	1	JET #42	#42		
29	+	123169-10630	1	RING, RETAINING			
30	+	123146-10631	1	PLUG, WELCH			
31	+	123122-39830	1	SPRING, METER. LEVER			
32	+	123123-18330	1	LEVER, METERING			
33	+	123138-03930	1	PIN, METERING LEVER			
34	+	123139-03930	1	SCREW, M. LEVER PIN			
35	+	123137-19830	1	VALVE, INLET NEEDLE			
37	+	123132-16130	1	VALVE, CHOKE			
38	+	123114-05260	1	SCREW			

7. CARBURETOR



KEY	LV	PART NUMBER	Q'TY	DESCRIPTION	REMARKS	NOTE1	NOTE2
39	+	123113-16130	1	SPRING, THRT. RETURN			
40	+	123117-32630	1	SHAFT, THROTTLE			
47	+	123140-16131	1	GASKET, M. DIAPHRAGM			
48	+	123141-16131	1	DIAPHRAGM, METERING			
49	+	P003-000000	1	COVER, M. DIAPHRAGM			
50	+	123130-02960	4	SCREW			
51	+	P003-000010	2	LIMITER CAP			

Index

Patrs Number	Key No.	Patrs Number	Key No.	Patrs Number	Key No.
100012-32430	1 - 15	123184-06060	7 - 28	178011-32630	2 - 31
100014-18430	1 - 37	129013-30831	2 - 15	178043-19830	4 - 22
100142-30830	1 - 30	130010-20760	2 - 27	178090-37930	4 - 20
100143-19830	3 - 7	130110-19830	2 - 20	178114-32630	2 - 32
100212-19830	1 - 26	130111-00530	4 - 61	178302-12330	4 - 34
100212-32430	1 - 21	130305-07061	2 - 6	178510-32330	2 - 29
100215-02830	1 - 22	130305-25061	2 - 7	178810-33331	2 - 30
100242-32430	1 - 24	130313-06061	2 - 5	305114-06060	4 - 48
100251-32430	1 - 32	130322-05261	2 - 3	305115-06061	4 - 53
100905-32331	2 - 18	130435-07060	2 - 13	351111-19830	4 - 25
100915-32530	4 - 13	130712-06061	2 - 8	351155-35430	4 - 19
100915-33930	4 - 17	130821-06060	2 - 23	351612-06061	4 - 49
100917-32430	1 - 33	131004-37631	4 - 35	351616-38130	4 - 46
100918-19830	4 - 15	131050-19830	4 - 37	351630-06060	4 - 50
100921-32431	4 - 41	131051-19830	4 - 39	433011-21860	1 - 23
100922-32430	4 - 12	131205-19831	4 - 9	433019-12330	5 - 25
101010-32431	1 - 7	131300-56430	4 - 59	433144-15130	3 - 47
101521-32330	3 - 6	131312-32430	4 - 62	436013-06061	1 - 28
101578-38431	2 - 56	131328-40630	4 - 60	436114-13930	1 - 27
104915-08260	5 - 36	132010-30830	4 - 8	437211-14730	2 - 39
123110-03930	7 - 3	132011-19831	4 - 7	437217-20760	4 - 6
123112-12330	7 - 6	132013-26630	4 - 10	606117-21860	6 - 9
123113-16130	7 - 39	132115-01461	2 - 38	610320-03830	5 - 11
123114-05260	7 - 38	132115-01461	4 - 5	611014-07062	6 - 16
123114-38830	7 - 9	145510-32431	2 - 49	611015-07062	6 - 17
123117-32630	7 - 40	145711-32430	2 - 51	611019-05260	6 - 18
123118-02261	7 - 24	156601-32632	3 - 26	611022-09160	6 - 43
123120-32631	7 - 21	156611-19830	3 - 22	611111-20760	5 - 9
123122-39830	7 - 31	156635-32530	2 - 42	611117-06060	5 - 26
123123-18330	7 - 32	156800-32631	3 - 5	611216-05260	5 - 32
123124-19830	7 - 4	159010-10230	3 - 25	689024-05260	6 - 10
123125-12330	7 - 5	162021-32530	2 - 35	890057-07060	2 - 4
123126-10631	7 - 7	163400-30830	2 - 33	890157-30130	2 - 34
123130-02960	7 - 50	163810-30130	2 - 41	890157-39130	2 - 40
123131-19830	7 - 12	175000-06061	5 - 17	890185-03460	2 - 17
123132-16130	7 - 37	175002-32431	5 - 19	895410-00430	6 - 34
123132-32430	7 - 10	175016-16130	5 - 21	895410-10630	6 - 33
123135-10630	7 - 18	175018-32430	5 - 20	895610-00130	6 - 30
123136-10630	7 - 17	175019-16130	5 - 22	895612-03430	6 - 31
123137-19830	7 - 35	175049-56030	5 - 35	895811-00130	6 - 32
123138-03930	7 - 33	177215-07060	3 - 35	898510-39130	6 - 36
123139-03930	7 - 34	177218-32631	3 - 11	900105-04006	5 - 18
123140-16131	7 - 47	177220-02834	3 - 38	900162-04010	2 - 55
123141-16131	7 - 48	177221-02830	3 - 39	900162-04020	3 - 28
123146-10631	7 - 30	177221-07060	3 - 37	900162-05014	1 - 9
123156-30830	7 - 13	177226-06060	3 - 36	900162-05014	2 - 52
123169-10630	7 - 29	177227-07060	3 - 42	900162-05014	3 - 33
123178-15030	7 - 14	177228-30830	3 - 41	900162-05014	4 - 14
123183-40630	7 - 27	177234-19832	3 - 9	900162-05020	1 - 2

Index

Patrs Number	Key No.	Patrs Number	Key No.	Patrs Number	Key No.
900162-05020	1 - 36	A202-000040	1 - 8		
900162-05020	2 - 36	A204-000030	2 - 26		
900162-05020	3 - 50	A220-000030	2 - 37		
900162-05025	1 - 6	A225-000130	2 - 9		
900162-05025	5 - 27	A300-000781	2 - 50		
900162-05030	4 - 55	A313-000460	2 - 54		
900162-05035	1 - 35	A426-000010	3 - 24		
900162-05035	4 - 52	A427-000013	3 - 23		
900238-04014	4 - 18	A500-000061	3 - 49		
900238-05014	1 - 34	A556-000310	5 - 16		
900238-05016	2 - 12	C360-000012	5 - 37		
900238-05020	4 - 45	C361-000010	5 - 7		
900238-05025	2 - 11	C364-000022	6 - 5		
900238-05025	5 - 6	C370-000020	6 - 14		
900238-05025	5 - 8	C371-000000	6 - 13		
900238-05030	4 - 47	C400-000240	4 - 44		
900238-05035	4 - 54	C423-000130	4 - 51		
900241-04010	6 - 15	C450-000281	4 - 23		
900242-04008	3 - 27	P003-000000	7 - 49		
900246-03008	4 - 38	P003-000010	7 - 51		
900252-04010	2 - 44	P021-006652	5 - 31		
900252-05010	2 - 43	P021-007480	4 - 58		
900252-05014	2 - 21	P021-007490	1 - 20		
900252-05053	2 - 22	P021-007500	3 - 32		
900253-04008	3 - 48	P021-015290	1 - 11		
900342-50025	4 - 24	V140-000010	2 - 19		
900500-00008	3 - 8	V176-000031	6 - 7		
900501-00010	6 - 12	V196-000090	6 - 6		
900600-00008	6 - 23	V203-000070	5 - 34		
900602-00010	6 - 11	V203-000150	3 - 13		
900603-00005	3 - 12	V205-000300	6 - 21		
900603-00005	3 - 34	V206-000160	6 - 20		
900603-00008	5 - 12	V299-000210	6 - 25		
900605-00008	6 - 24	V306-000110	6 - 22		
900605-00010	6 - 19	V353-000201	3 - 10		
900702-00028	5 - 13	V356-000260	5 - 15		
900720-20007	2 - 16	V362-000020	2 - 25		
900720-20029	4 - 36	V420-000691	2 - 24		
900810-36202	1 - 25	V420-000701	1 - 4		
900812-06202	6 - 8	V455-000030	5 - 33		
94002-36001	5 - 14	V580-000000	1 - 14		
A011-000292	1 - 31	V610-000000	1 - 13		
A021-000730	2 - 28	X502-000460	3 - 51		
A021-000730	7 -	X502-000540	5 - 5		
A101-000150	1 - 12	X503-005551	2 - 1		
A130-000172	1 - 5	X505-001331	6 - 41		
A130-000980	1 - 5	X606-000080	6 - 35		
A160-000601	1 - 3	X690-000050	6 - 42		
A172-000130	3 - 31				

YAMABIKO CORPORATION

7-2 SUEHIROCHO 1-CHOME, OHME, TOKYO 198-8760, JAPAN
PHONE: 81-428-32-6118. FAX: 81-428-32-6145.



10lb
No. 61-053