



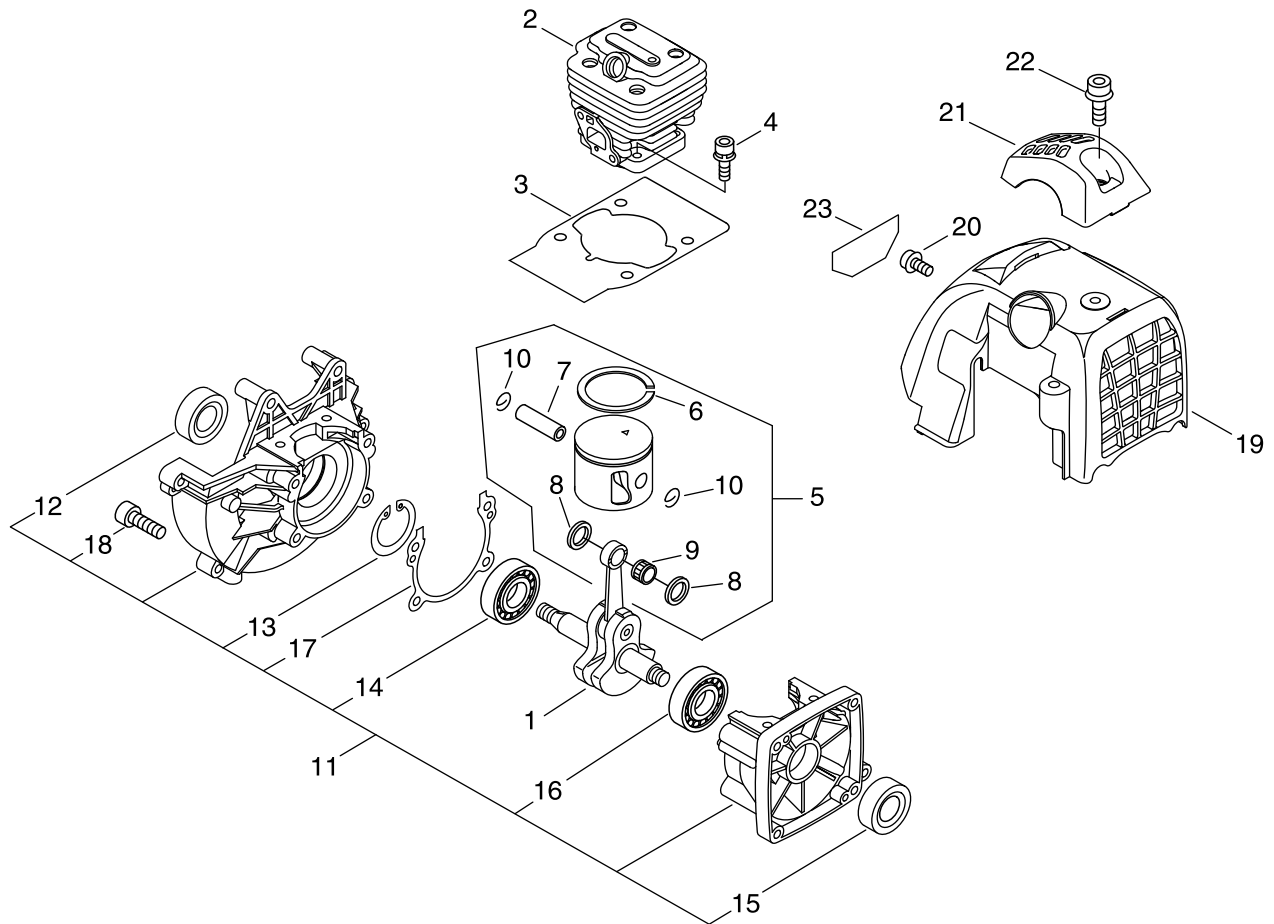
PARTS CATALOGUE

GRASS-TRIMMER / BRUSHCUTTER

SRM-300TES/U(37)

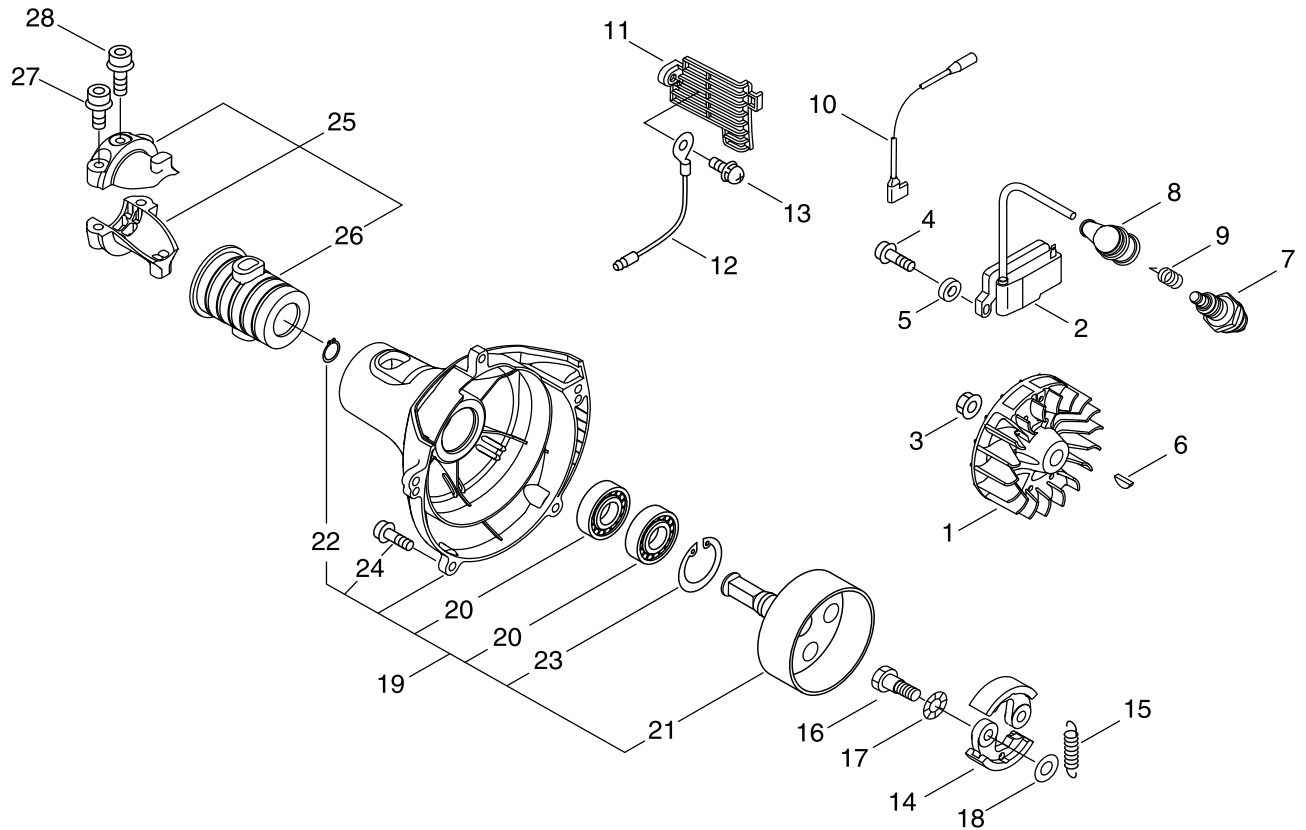
37000001 -

1. CYLINDER, CRANKCASE, PISTON



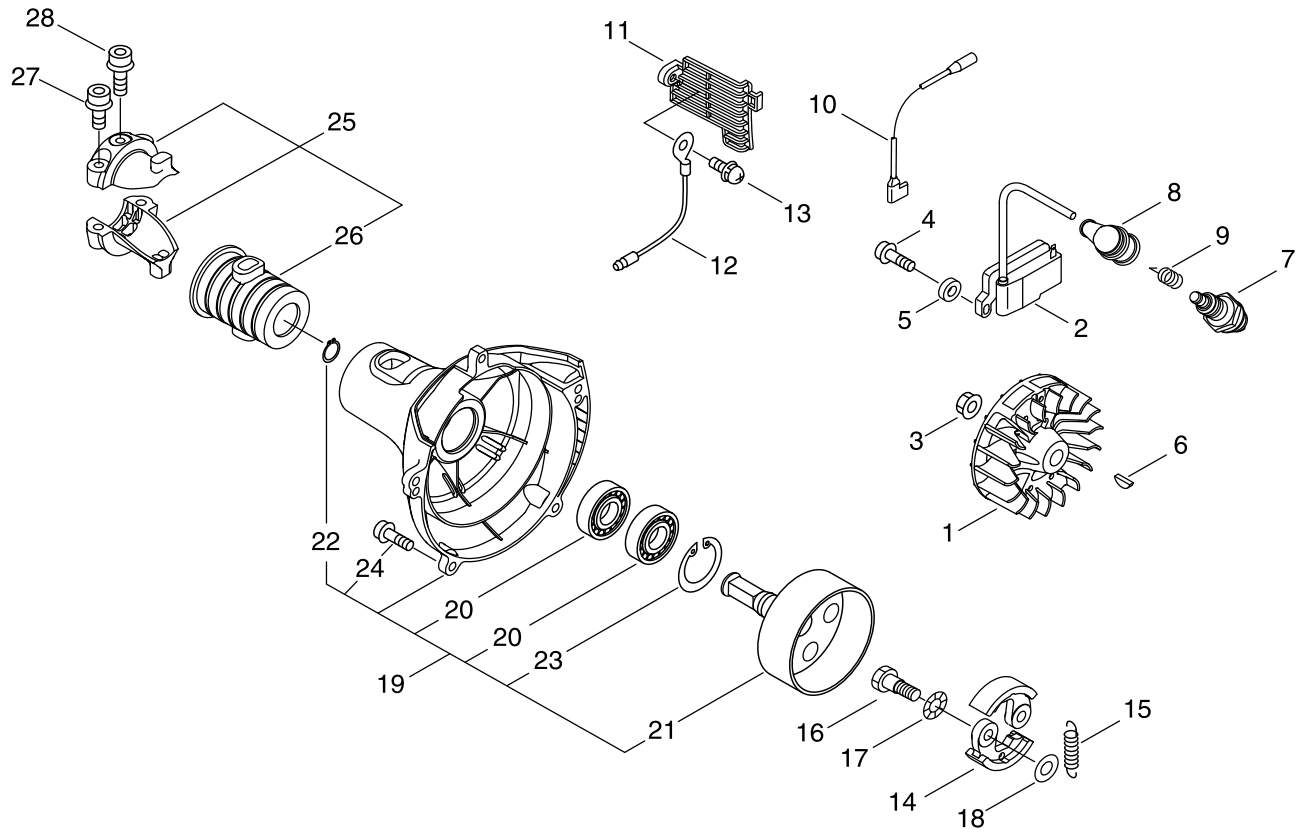
KEY	LV	PART NUMBER	Q'TY	DESCRIPTION	REMARKS	NOTE1	NOTE2
1		A011-000471	1	CRANKSHAFT,ASY			
2		A130-000800	1	CYLINDER			
3		V100-000201	1	GASKET,CYL			
4		91128-05025	4	BOLT HSH			
5		P021-010730	1	PISTON KIT			
6	+	A101-000170	1	RING, PISTON	34*1.5*1.5		
7	+	100013-35430	1	PIN, PISTON	6*9*27.8		
8	+	V306-000200	2	WASHER,CIRCULAR 8	9.2*14*T0.5		
9	+	100012-16131	1	BEARING, NEEDLE			
10	+	100015-03931	2	CIRCLIP, PISTON PIN			
11		P021-010741	1	CRANKCASE KIT			
12	+	100212-03930	1	OILSEAL	ISCX12*32*5.5		
13	+	900702-00032	1	CIRCLIP 32	CR-32		
14	+	94035-36201	1	BEARING BALL	6201X3JR2C3		
15	+	V505-000020	1	SEAL,OIL 12	12*22*7		
16	+	94035-36201	1	BEARING BALL	6201X3JR2C3		
17	+	V102-000030	1	GASKET,CRANKCASE	T:0.5		
18	+	91128-05028	4	BOLT HSH			
19		A160-000800	1	COVER,CYLINDER			
20		91121-05010	1	BOLT, FLANGE	10.9 SILVER		
21		A162-000110	1	GUARD, TOP			
22		V203-000290	1	BOLT, 5			
23		X547-001810	1	LABEL,ECHO			

2. MAGNETO, CLUTCH



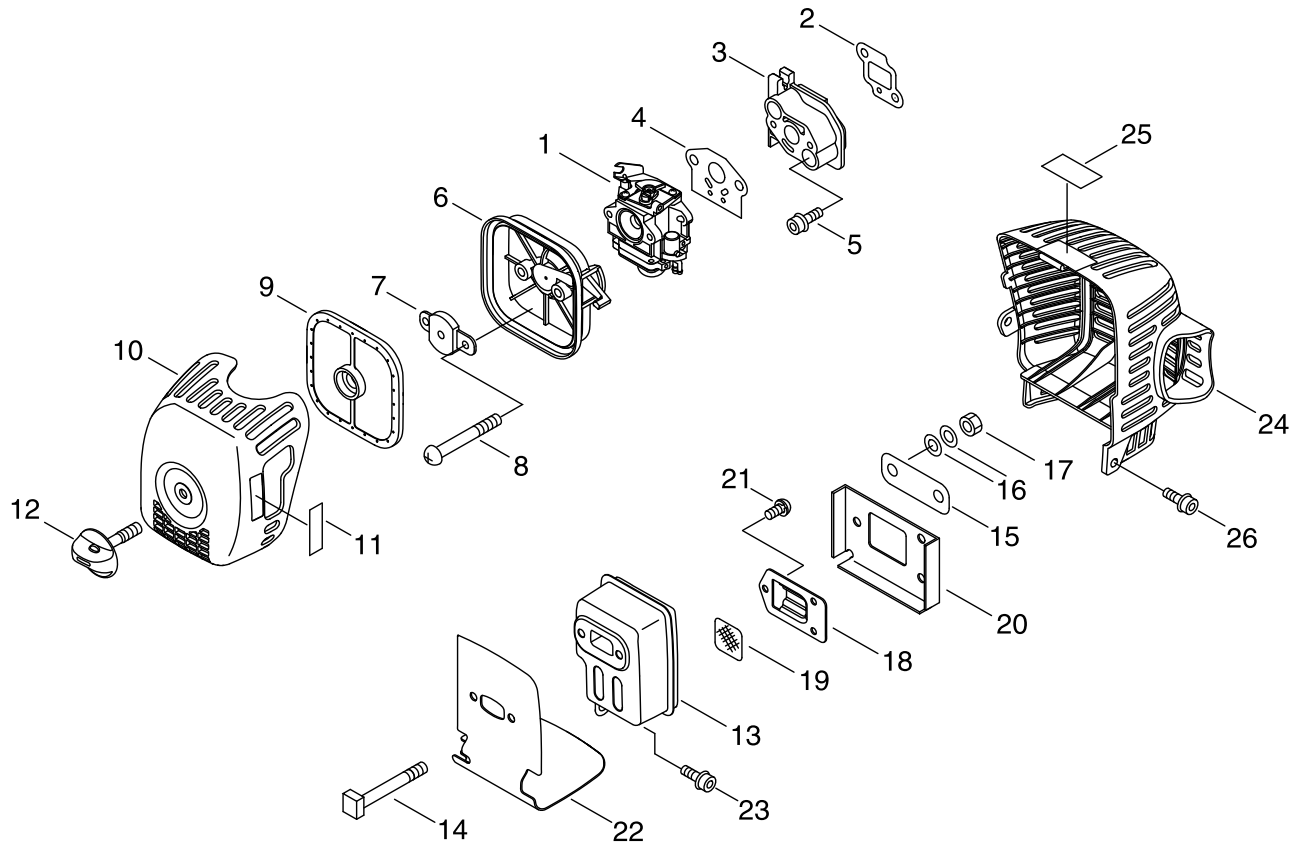
KEY	LV	PART NUMBER	Q'TY	DESCRIPTION	REMARKS	NOTE1	NOTE2
1		A409-000290	1	ROTOR, MAGNETO			
2		A411-000312	1	COIL, IGNITION	ID#C10415		
3		900515-00008	1	NUT, FLANGE 8	8		
4		900162-05020	2	BOLT, H.S. 5*20	5*20 W,SW		
5		V323-000070	2	WASHER,CIRCULAR 5	5.2*10*3		
6		100142-12330	1	KEY, WOODRUFF			
7		A425-000000	1	SPARKPLUG	BPMR8Y		
8		159012-03433	1	CAP, SPARK PLUG			
9		159011-03432	1	COIL, SPARK PLUG			
10		V485-000810	1	LEAD	L215		
11		A127-000150	1	COVER,DUST			
12		162014-27230	1	LEAD, GROUND			
13		900242-05010	1	SCREW 5*10			
14		A553-000050	2	ARM, CLUTCH			
15		A566-000020	1	SPRING, CLUTCH			
16		175046-56030	2	SHAFT, CLUTCH			
17		175049-56030	2	WASHER	8.5*16*0.5		
18		175048-05530	2	WASHER (I)	6.2*19*1.0		
19		P021-014330	1	COVER ASY, FAN			
20	+	900807-06001	2	BEARING, BALL 6001	6001V(LB)		
21	+	A556-000430	1	DRUM, CLUTCH			
22	+	900701-00012	1	CIRCLIP 12	CS-12		
23	+	900702-00028	1	CIRCLIP 28	CR-28		
24	+	91121-05020	4	BOLT, FLANGE	10.9 SILVER		
25		P021-013900	1	FIXTURE,MAIN PIPE			
26	+	V420-001400	1	CUSHION			

2. MAGNETO, CLUTCH



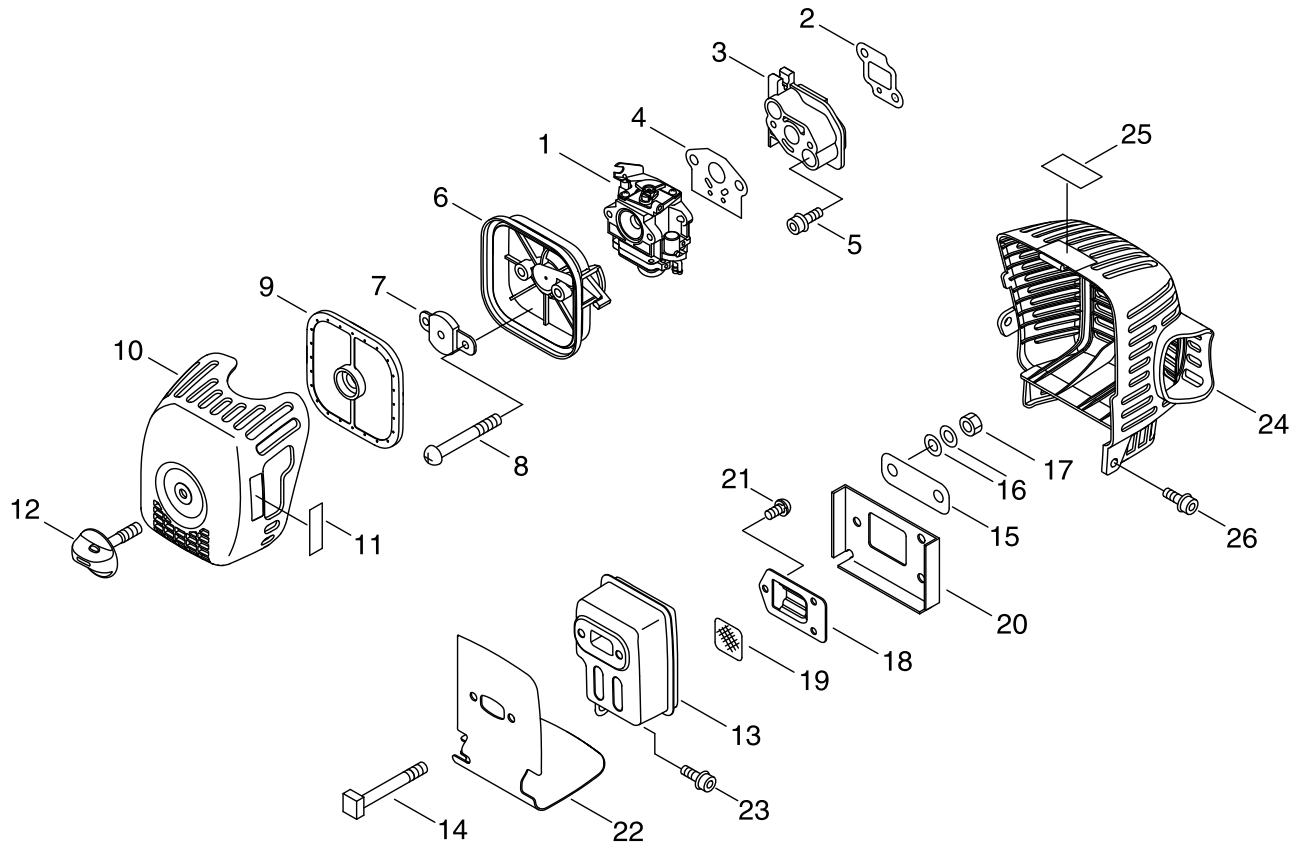
KEY	LV	PART NUMBER	Q'TY	DESCRIPTION	REMARKS	NOTE1	NOTE2
27		91121-05025	2	BOLT, FLANGE	10.9 SILVER		
28		91121-05010	1	BOLT, FLANGE	10.9 SILVER		

3. AIR CLEANER, MUFFLER



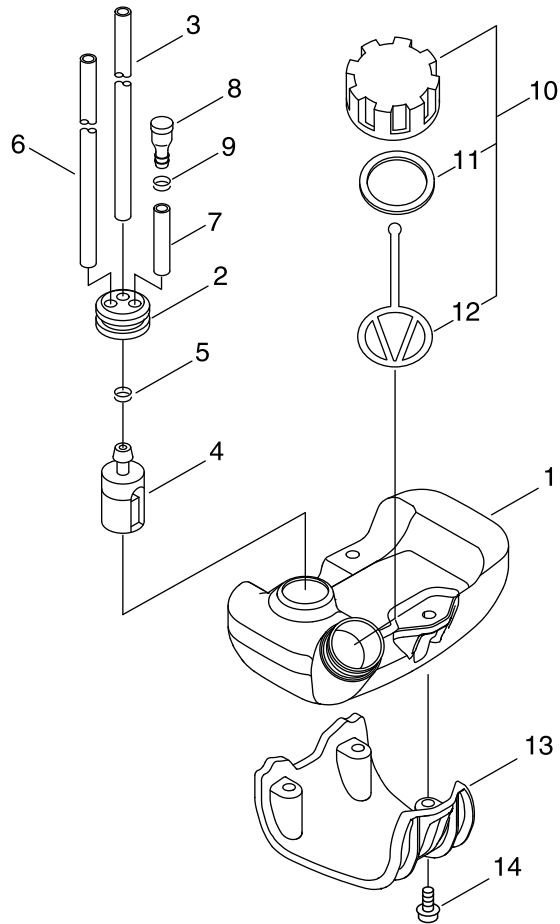
KEY	LV	PART NUMBER	Q'TY	DESCRIPTION	REMARKS	NOTE1	NOTE2
1		A021-001340	1	CARBURETOR,DIAPHRAGM	WYK-233A		
2		V103-000380	1	GASKET,INTAKE	T0.5		
3		A200-000270	1	INSULATOR, INTAKE	PM9685L		
4		V103-000160	1	GASKET,INTAKE			
5		900106-05030	2	BOLT, H.S.H. 5*30	5*30		
6		P021-013820	1	CASE, AIR CLEANER			
7		A244-000070	1	PLATE,PREVENT			
8		900242-05060	2	SCREW 5*60	5*60		
9		A226-000472	1	ELEMENT, AIR FILTER			
10		A232-000360	1	LID,CLEANER	ID #1320		
11		890332-52730	1	LABEL, CHOKE			
12		V299-000250	1	KNOB,FASTENER			
13		A300-000640	1	MUFFLER, EXHAUST	CAT25X26DEF STAY		
14		V203-000120	2	BOLT,5	L=60		
15		V150-001760	1	PLATE,EYE			
16		92280-05000	2	WASHER, NORD-LOCK	NL5 5.4*9*1.8		
17		900500-00005	2	NUT 5	5		
18		A313-000860	1	GUIDE, EXHAUST			
19		145862-40630	1	SCREEN, MUFFLER			
20		V104-000790	1	GASKET,EXHAUST			
21		91367-04010	3	SCREW	4*10/SW(SUS)		
22		V104-000810	1	GASKET,EXHAUST	NP7002 T:1.0		
23		900106-05016	1	BOLT, H.S. 5*16	5*16		
24		A320-000400	1	COVER,MUFFLER			

3. AIR CLEANER, MUFFLER



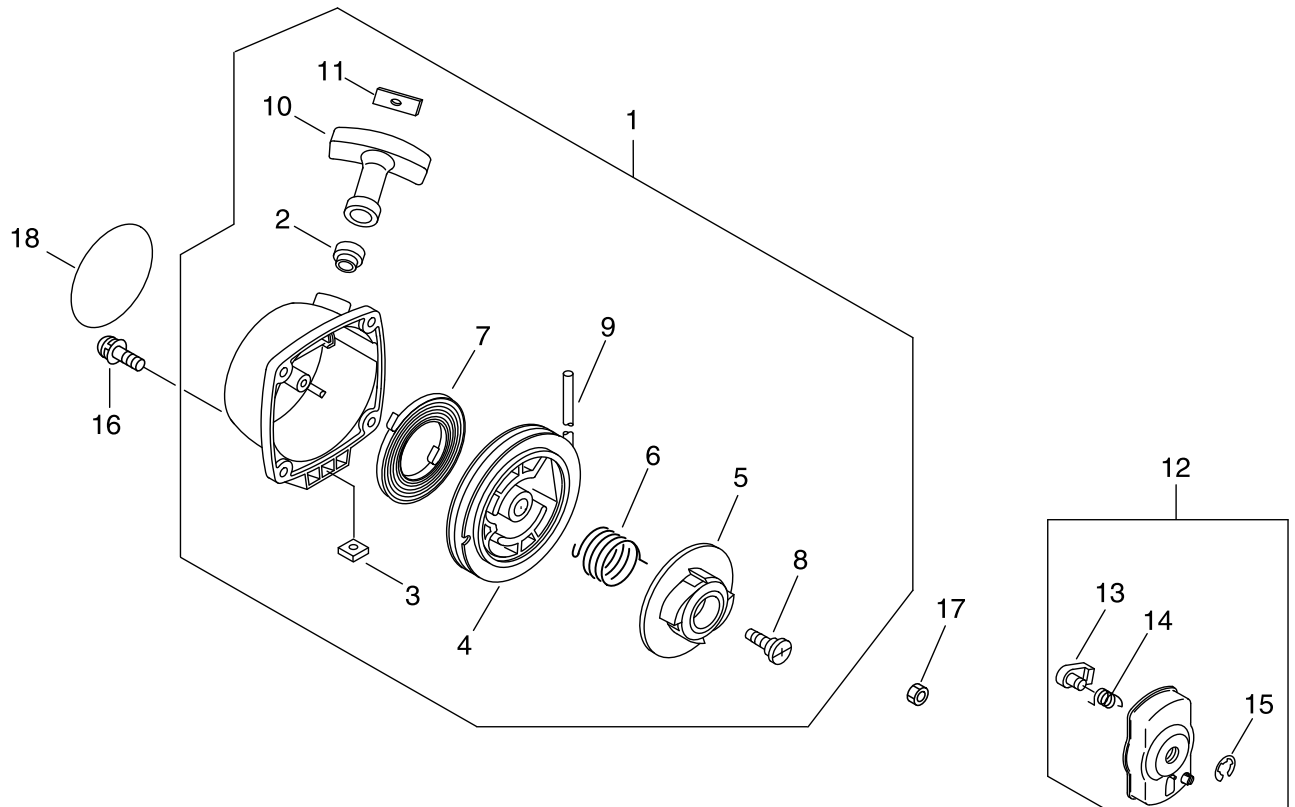
KEY	LV	PART NUMBER	Q'TY	DESCRIPTION	REMARKS	NOTE1	NOTE2
25		X505-002310	1	LABEL,CAUTION	HOT CAUTION		
26		V203-000280	1	BOLT,5			

4. FUEL TANK



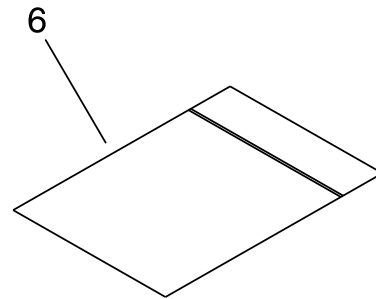
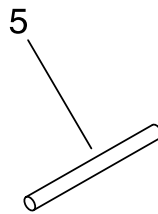
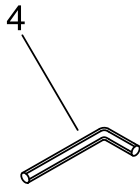
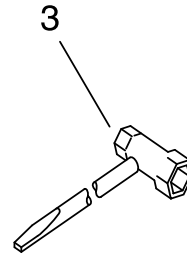
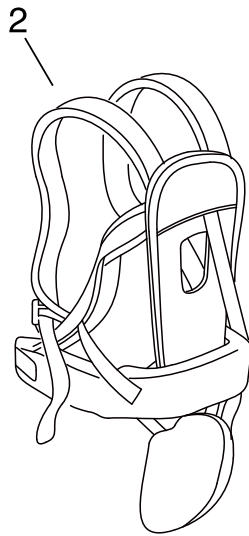
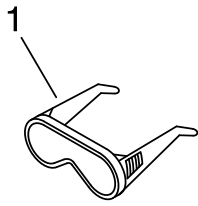
KEY	LV	PART NUMBER	Q'TY	DESCRIPTION	REMARKS	NOTE1	NOTE2
1		A350-000500	1	TANK, FUEL			
2		132115-55930	1	GROMMET, FUEL			
3		V470-000580	1	PIPE	3*5*195		
4		131205-19832	1	STRAINER, FUEL			
5		V490-001240	1	CLIP			
6		132012-56030	1	PIPE	3*6*80 YL		
7		V471-000110	1	PIPE	3*6*115		
8		A356-000031	1	VALVE,CHECK			
9		V490-001230	1	CLIP			
10		P021-012210	1	CAP,FUEL ASY			
11	+	131016-55830	1	GASKET, FUEL CAP			
12	+	A365-000060	1	CONNECTOR,CAP	L=123		
13		A175-000040	1	STAND			
14		91121-05020	3	BOLT, FLANGE	10.9 SILVER		

5. RECOIL STARTER



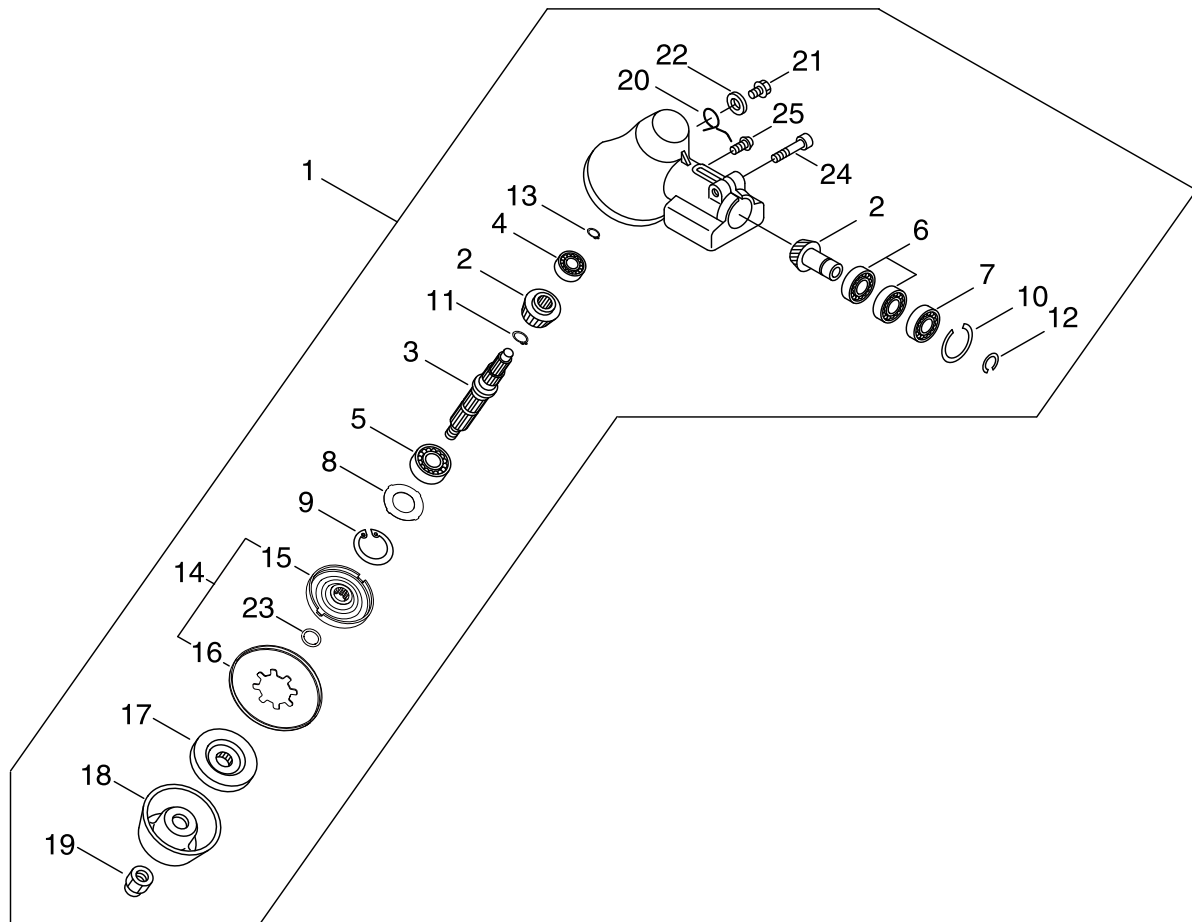
KEY	LV	PART NUMBER	Q'TY	DESCRIPTION	REMARKS	NOTE1	NOTE2
1		A051-001212	1	STARTER,RECOIL ASY	コイル*ンパ 全軸		
2	+	177227-42030	1	GUIDE, ROPE			
3	+	900565-00005	1	NUT	5		
4	+	P022-033320	1	DRUM, STARTER			
5	+	P022-033310	1	PLATE, CAM			
6	+	P022-008270	1	SPRING,DAMPER			
7	+	177220-40630	1	SPRING, REWIND			
8	+	177236-61830	1	SCREW			
9	+	P022-022110	1	ROPE, STARTER			
10	+	177228-27030	1	GRIP, STARTER			
11	+	177246-11120	1	CLIP, STARTER ROPE			
12		A052-000180	1	PULLEY,ASM STARTER			
13	+	P022-006850	2	PAWL, STARTER			
14	+	P022-006510	2	SPRING, RETURN			
15	+	P022-002100	2	E-RING	4		
16		V203-000280	4	BOLT,5			
17		900502-00008	1	NUT 8 (3N)	3N8		
18		X502-000890	1	LABEL,ECHO			

6. ACCESSORIES



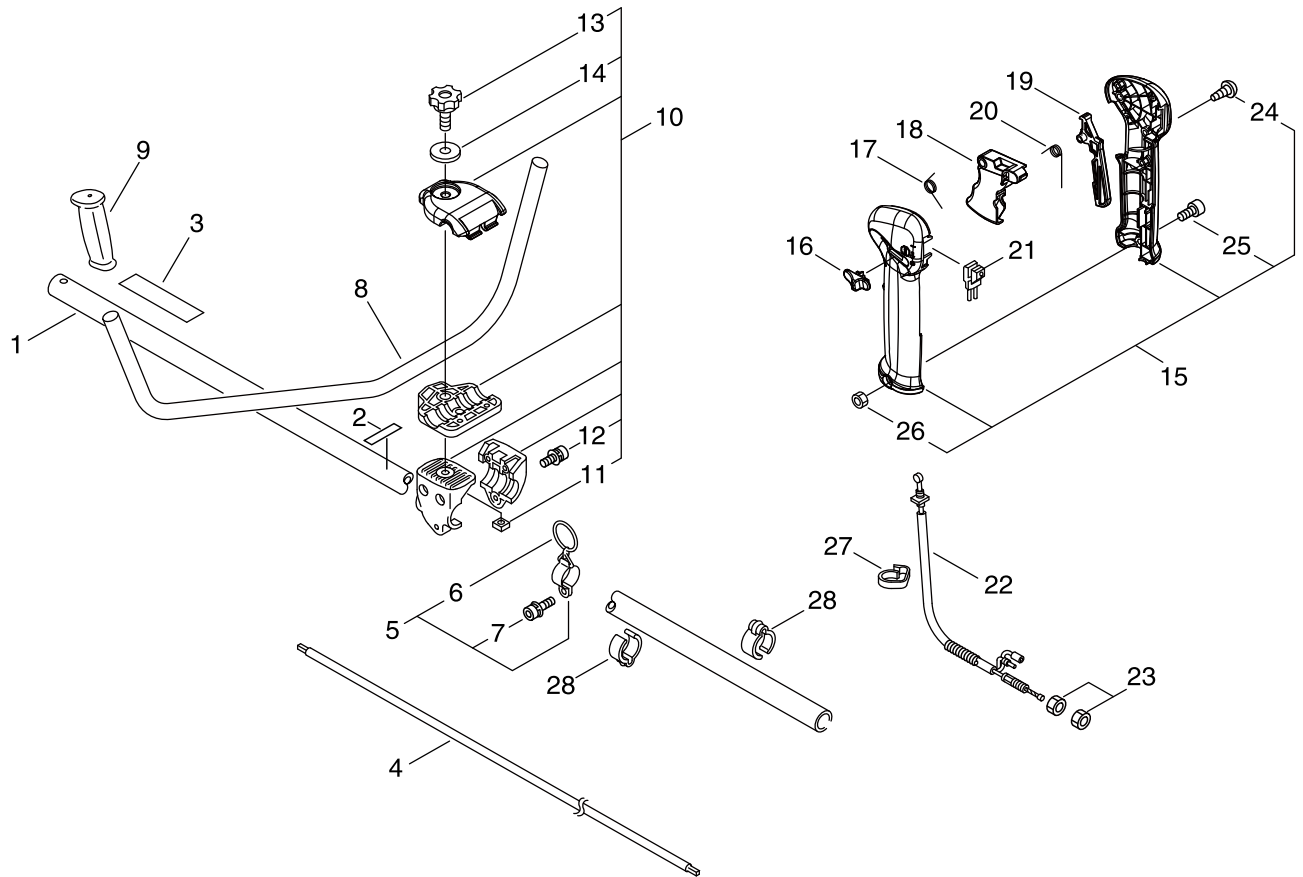
KEY	LV	PART NUMBER	Q'TY	DESCRIPTION	REMARKS	NOTE1	NOTE2
1		X690-000080	1	GOGGLE	SI CHINA, Z87.1		
2		C062-000194	1	HARNES,SHOULDER			
3		X602-000020	1	TOOL,WRENCH	17*19 L200		
4		X605-000100	1	TOOL,L WRENCH	4MM M5ㄗ		
5		X606-000080	1	TOOL,BAR	5*120		
6		898510-07130	1	BAG, TOOL			

7. GEAR CASE



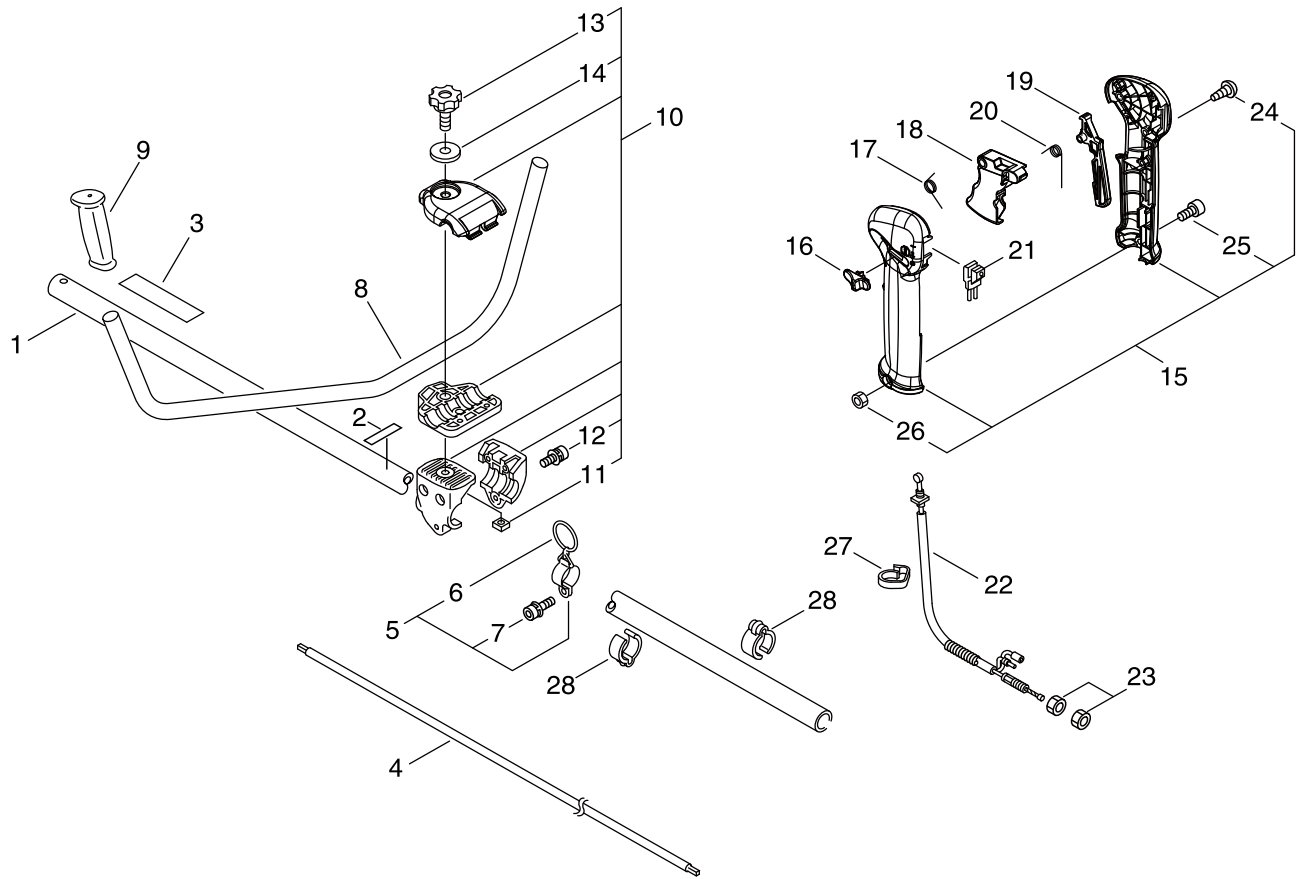
KEY	LV	PART NUMBER	Q'TY	DESCRIPTION	REMARKS	NOTE1	NOTE2
1		P021-035820	1	HOUSING ASY,GEAR			
2	+	V000-000110	1	GEAR SET, BEVEL			
3	+	C534-000850	1	SHAFT, GEAR			
4	+	900810-00629	1	BEARING, BALL 629			
5	+	900812-06302	1	BEARING, BALL	BB6302 LLU,DDU		
6	+	900855-06900	2	BEARING, BALL 6900	6900		
7	+	900858-06900	1	BEARING, BALL 6900Z	6900Z		
8	+	V313-000090	1	WASHER,CIRCULAR 20			
9	+	900702-00042	1	CIRCLIP 42	CR-42		
10	+	900702-00022	1	CIRCLIP 22	CR-22		
11	+	900706-00012	1	CIRCLIP 12	WR-12		
12	+	900706-00010	1	CIRCLIP 10	WR-10		
13	+	900701-00009	1	CIRCLIP 9	CS-9		
14	+	C535-000920	1	FIXTURE, BLADE			
15	++	C535-000930	1	FIXTURE, BLADE			
16	++	610352-56830	1	PLATE, CUP			
17	+	610314-52130	1	PLATE, ADAPTER (L)			
18	+	699229-56830	1	PLATE, COVER			
19	+	610320-52130	1	NUT 10			
20	+	V452-001310	1	SPRING,TORSION			
21	+	610434-50031	1	BOLT 8* 8	M8*8		
22	+	900603-50008	1	WASHER	8.5*18*0.8T		
23	+	900720-00012	1	O-RING 12	P-12		
24	+	91118-06025	1	BOLT			
25	+	900242-05010	1	SCREW 5*10			

8. HANDLE



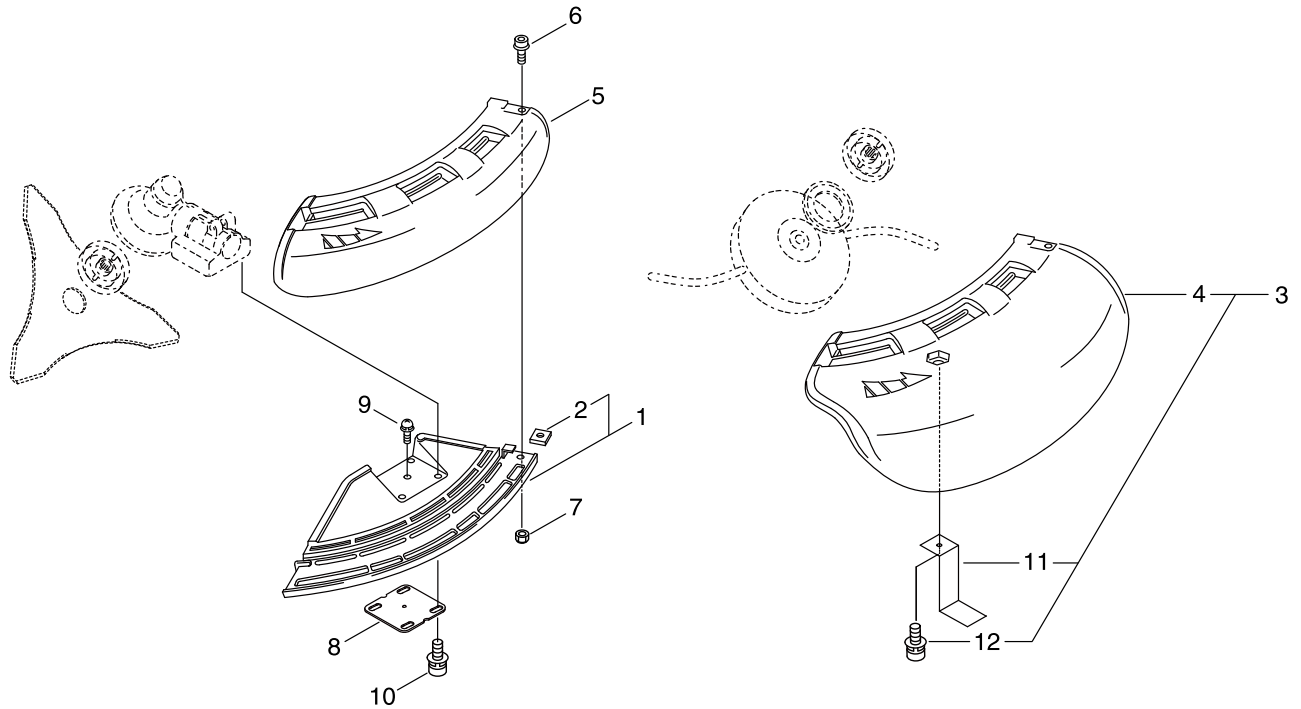
KEY	LV	PART NUMBER	Q'TY	DESCRIPTION	REMARKS	NOTE1	NOTE2
1		C050-000870	1	PIPE, MAIN			
2		890152-04930	1	LABEL, CAUTION			
3		890617-43130	1	LABEL, CAUTION			
4		C504-000050	1	SHAFT, DRIVE	7*1540		
5		P021-013580	1	RING, HARNESS KIT			
6	+	301015-05330	1	HOOK, BAND			
7	+	91121-05012	1	BOLT, FLANGE	10.9 SILVER		
8		C400-000211	1	HANDLE, FRONT			
9		C403-000031	1	GRIP, HANDLE			
10		P021-012821	1	FIXTURE, ASY HANDLE	SRM-2655SI		
11	+	900565-50008	1	NUT			
12	+	91118-05030	3	BOLT			
13	+	V299-000110	1	KNOB, FASTENER			
14	+	605014-54230	1	WASHER			
15		P021-014090	1	GRIP ASY, F-HANDLE			
24	+	900256-04016	3	SCREW 4*16			
25	+	91119-05030	1	BOLT			
26	+	900500-00005	1	NUT 5	5		
16		C463-000020	1	KNOB, LATCH			
17		V452-000360	1	SPRING, TORSION			
18		C450-000270	1	CONTROL, THROTTLE			
19		C460-000111	1	LOCKOUT, THROTTLE	70MM		
20		V452-000350	1	SPRING, TORSION			
21		P021-042300	1	SWITCH, ON OFF			
22		V430-002080	1	CABLE, BOWDEN			
23		900502-00006	2	NUT 6 (3N)	3N6		

8. HANDLE



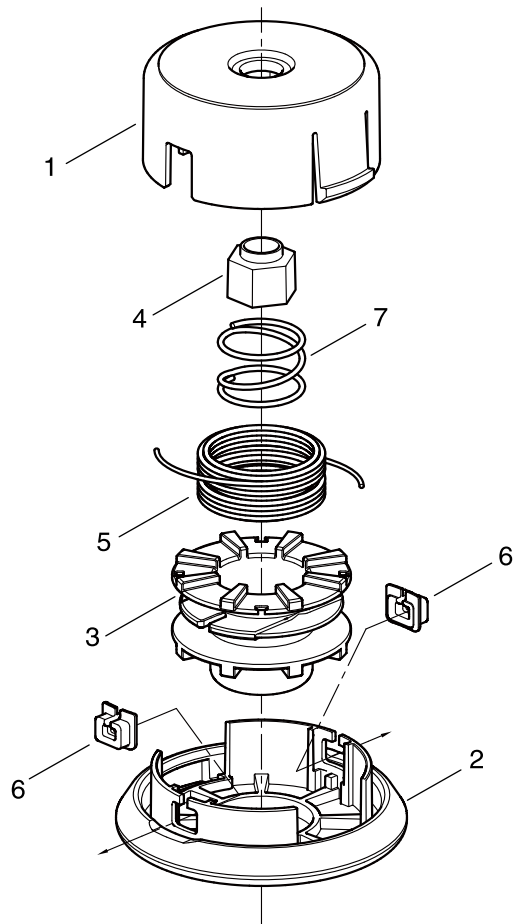
KEY	LV	PART NUMBER	Q'TY	DESCRIPTION	REMARKS	NOTE1	NOTE2
27		159112-09961	1	CLIP			
28		224924-52130	2	CLIP	25MM		

9. SHIELD



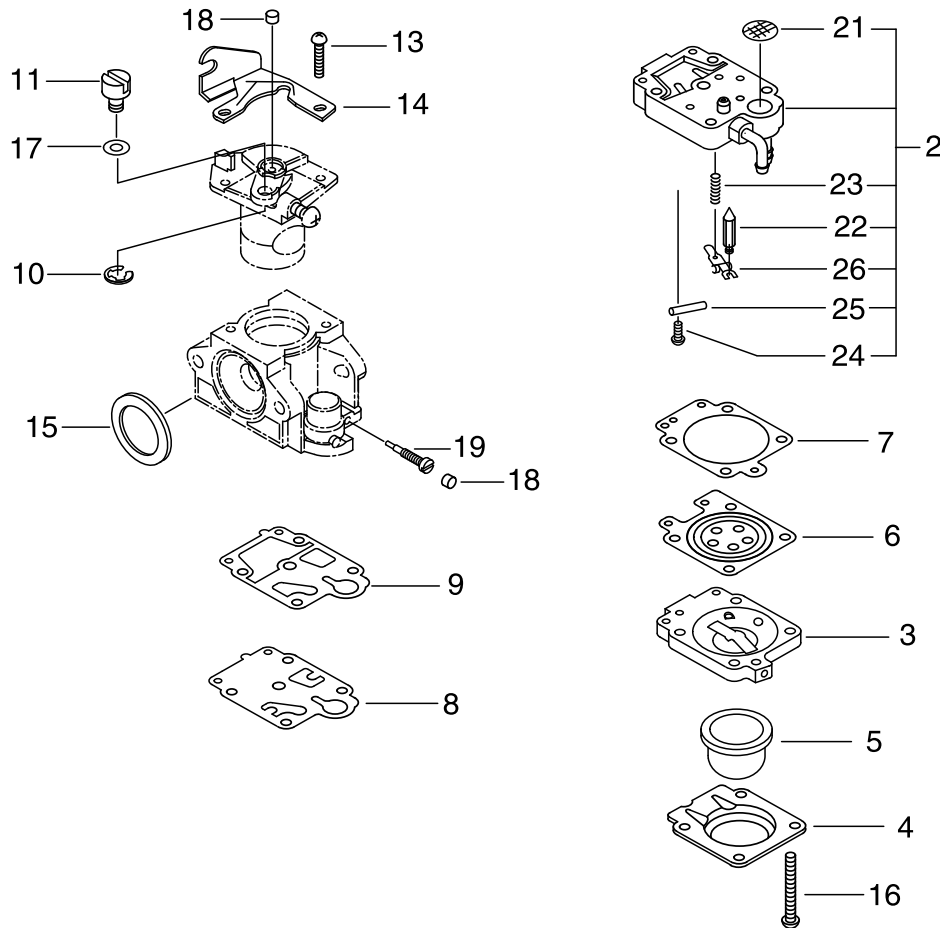
KEY	LV	PART NUMBER	Q'TY	DESCRIPTION	REMARKS	NOTE1	NOTE2
1		C550-000511	1	SHIELD,BLADE			
2	+	900565-00005	1	NUT	5		
3		P021-013775	1	SHIELD KIT			
4	+	C550-000570	1	SHIELD,BLADE			
11	+	C554-000030	1	KNIFE, CORD	17INCH		
12	+	91118-05018	1	BOLT			
5		C550-000551	1	SHIELD,BLADE			
6		91121-05025	1	BOLT, FLANGE	10.9 SILVER		
7		900562-00005	1	NUT, LOCK	5		
8		C552-000200	1	PLATE, SHIELD			
9		91316-04010	1	SCREW	M4*10		
10		V203-001980	4	BOLT,5			

10. NYLON LINE CUTTER



KEY	LV	PART NUMBER	Q'TY	DESCRIPTION	REMARKS	NOTE1	NOTE2
		X047-000321	1	CUTTER,ASM LINE			
1	+	P022-010420	1	HOUSING			
2	+	P022-010410	1	COVER			
3	+	P022-010400	1	BOBBIN			
4	+	P022-023180	1	NUT			
5	+	P022-010380	1	NYLON CODE			
6	+	P022-000710	2	EYELET			
7	+	P022-010370	1	SPRING			

11. CARBURETOR



KEY	LV	PART NUMBER	Q'TY	DESCRIPTION	REMARKS	NOTE1	NOTE2
		A021-001340	1	CARBURETOR,DIAPHRAGM	WYK-233A		
2	+	P003-000440	1	BODY ASY, PUMP			
21	++	123126-10631	1	SCREEN, INLET			
22	++	123137-19830	1	VALVE, INLET NEEDLE			
23	++	P003-000450	1	SPRING, METER. LEVER			
24	++	123139-05560	1	SCREW, M. LEVER PIN			
25	++	123138-03930	1	PIN, METERING LEVER			
26	++	123123-03930	1	LEVER, METERING			
3	+	123180-05560	1	BODY, AIR PURGE			
4	+	123142-05560	1	COVER, PRIMER PUMP			
5	+	123181-40630	1	PUMP, PRIMER			
6	+	P003-001850	1	DIAPHRAGM, METERING			
7	+	123140-05560	1	GASKET, M. DIAPHRAGM			
8	+	123112-40630	1	DIAPHRAGM, PUMP			
9	+	P003-000100	1	GASKET, PUMP			
10	+	123173-07930	1	CLIP			
11	+	123172-45130	1	SWIVEL			
13	+	123114-40630	2	SCREW			
14	+	P003-000180	1	BRACKET CABLE			
15	+	123143-12110	1	RING, PACKING			
16	+	123110-05560	4	SCREW, PUMP COVER			
17	+	123149-54230	1	WASHER			
18	+	A259-000000	2	CAP,LIMITER	WALBRO 88-265		
19	+	P003-001130	1	NEEDLE, HIGH SPEED			

Index

Patrs Number	Key No.	Patrs Number	Key No.	Patrs Number	Key No.
100012-16131	1 - 9	898510-07130	6 - 6	94035-36201	1 - 16
100013-35430	1 - 7	900106-05016	3 - 23	A011-000471	1 - 1
100015-03931	1 - 10	900106-05030	3 - 5	A021-001340	3 - 1
100142-12330	2 - 6	900162-05020	2 - 4	A021-001340	11 -
100212-03930	1 - 12	900242-05010	2 - 13	A051-001212	5 - 1
123110-05560	11 - 16	900242-05010	7 - 25	A052-000180	5 - 12
123112-40630	11 - 8	900242-05060	3 - 8	A101-000170	1 - 6
123114-40630	11 - 13	900256-04016	8 - 24	A127-000150	2 - 11
123123-03930	11 - 26	900500-00005	3 - 17	A130-000800	1 - 2
123126-10631	11 - 21	900500-00005	8 - 26	A160-000800	1 - 19
123137-19830	11 - 22	900502-00006	8 - 23	A162-000110	1 - 21
123138-03930	11 - 25	900502-00008	5 - 17	A175-000040	4 - 13
123139-05560	11 - 24	900515-00008	2 - 3	A200-000270	3 - 3
123140-05560	11 - 7	900562-00005	9 - 7	A226-000472	3 - 9
123142-05560	11 - 4	900565-00005	5 - 3	A232-000360	3 - 10
123143-12110	11 - 15	900565-00005	9 - 2	A244-000070	3 - 7
123149-54230	11 - 17	900565-50008	8 - 11	A259-000000	11 - 18
123172-45130	11 - 11	900603-50008	7 - 22	A300-000640	3 - 13
123173-07930	11 - 10	900701-00009	7 - 13	A313-000860	3 - 18
123180-05560	11 - 3	900701-00012	2 - 22	A320-000400	3 - 24
123181-40630	11 - 5	900702-00022	7 - 10	A350-000500	4 - 1
131016-55830	4 - 11	900702-00028	2 - 23	A356-000031	4 - 8
131205-19832	4 - 4	900702-00032	1 - 13	A365-000060	4 - 12
132012-56030	4 - 6	900702-00042	7 - 9	A409-000290	2 - 1
132115-55930	4 - 2	900706-00010	7 - 12	A411-000312	2 - 2
145862-40630	3 - 19	900706-00012	7 - 11	A425-000000	2 - 7
159011-03432	2 - 9	900720-00012	7 - 23	A553-000050	2 - 14
159012-03433	2 - 8	900807-06001	2 - 20	A556-000430	2 - 21
159112-09961	8 - 27	900810-00629	7 - 4	A566-000020	2 - 15
162014-27230	2 - 12	900812-06302	7 - 5	C050-000870	8 - 1
175046-56030	2 - 16	900855-06900	7 - 6	C062-000194	6 - 2
175048-05530	2 - 18	900858-06900	7 - 7	C400-000211	8 - 8
175049-56030	2 - 17	91118-05018	9 - 12	C403-000031	8 - 9
177220-40630	5 - 7	91118-05030	8 - 12	C450-000270	8 - 18
177227-42030	5 - 2	91118-06025	7 - 24	C460-000111	8 - 19
177228-27030	5 - 10	91119-05030	8 - 25	C463-000020	8 - 16
177236-61830	5 - 8	91121-05010	1 - 20	C504-000050	8 - 4
177246-11120	5 - 11	91121-05010	2 - 28	C534-000850	7 - 3
224924-52130	8 - 28	91121-05012	8 - 7	C535-000920	7 - 14
301015-05330	8 - 6	91121-05020	2 - 24	C535-000930	7 - 15
605014-54230	8 - 14	91121-05020	4 - 14	C550-000511	9 - 1
610314-52130	7 - 17	91121-05025	2 - 27	C550-000551	9 - 5
610320-52130	7 - 19	91121-05025	9 - 6	C550-000570	9 - 4
610352-56830	7 - 16	91128-05025	1 - 4	C552-000200	9 - 8
610434-50031	7 - 21	91128-05028	1 - 18	C554-000030	9 - 11
699229-56830	7 - 18	91316-04010	9 - 9	P003-000100	11 - 9
890152-04930	8 - 2	91367-04010	3 - 21	P003-000180	11 - 14
890332-52730	3 - 11	92280-05000	3 - 16	P003-000440	11 - 2
890617-43130	8 - 3	94035-36201	1 - 14	P003-000450	11 - 23

Index

Patrs Number	Key No.	Patrs Number	Key No.	Patrs Number	Key No.
P003-001130	11 - 19	V452-000360	8 - 17		
P003-001850	11 - 6	V452-001310	7 - 20		
P021-010730	1 - 5	V470-000580	4 - 3		
P021-010741	1 - 11	V471-000110	4 - 7		
P021-012210	4 - 10	V485-000810	2 - 10		
P021-012821	8 - 10	V490-001230	4 - 9		
P021-013580	8 - 5	V490-001240	4 - 5		
P021-013775	9 - 3	V505-000020	1 - 15		
P021-013820	3 - 6	X047-000321	10 -		
P021-013900	2 - 25	X502-000890	5 - 18		
P021-014090	8 - 15	X505-002310	3 - 25		
P021-014330	2 - 19	X547-001810	1 - 23		
P021-035820	7 - 1	X602-000020	6 - 3		
P021-042300	8 - 21	X605-000100	6 - 4		
P022-000710	10 - 6	X606-000080	6 - 5		
P022-002100	5 - 15	X690-000080	6 - 1		
P022-006510	5 - 14				
P022-006850	5 - 13				
P022-008270	5 - 6				
P022-010370	10 - 7				
P022-010380	10 - 5				
P022-010400	10 - 3				
P022-010410	10 - 2				
P022-010420	10 - 1				
P022-022110	5 - 9				
P022-023180	10 - 4				
P022-033310	5 - 5				
P022-033320	5 - 4				
V000-000110	7 - 2				
V100-000201	1 - 3				
V102-000030	1 - 17				
V103-000160	3 - 4				
V103-000380	3 - 2				
V104-000790	3 - 20				
V104-000810	3 - 22				
V150-001760	3 - 15				
V203-000120	3 - 14				
V203-000280	3 - 26				
V203-000280	5 - 16				
V203-000290	1 - 22				
V203-001980	9 - 10				
V299-000110	8 - 13				
V299-000250	3 - 12				
V306-000200	1 - 8				
V313-000090	7 - 8				
V323-000070	2 - 5				
V420-001400	2 - 26				
V430-002080	8 - 22				
V452-000350	8 - 20				

YAMABIKO CORPORATION

7-2 SUEHIROCHO 1-CHOME, OHME, TOKYO 198-8760, JAPAN
PHONE: 81-428-32-6118. FAX: 81-428-32-6145.



12Jb
No. 05-078