



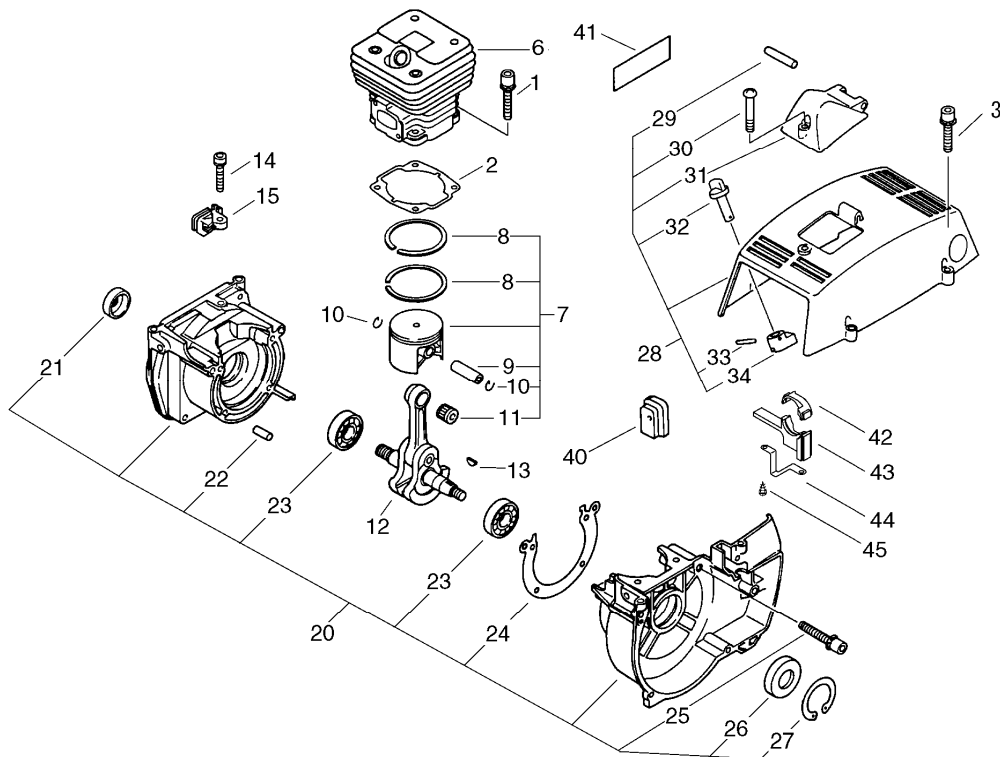
PARTS CATALOGUE

GRASS-TRIMMER / BRUSHCUTTER

SRM-580/U(36)

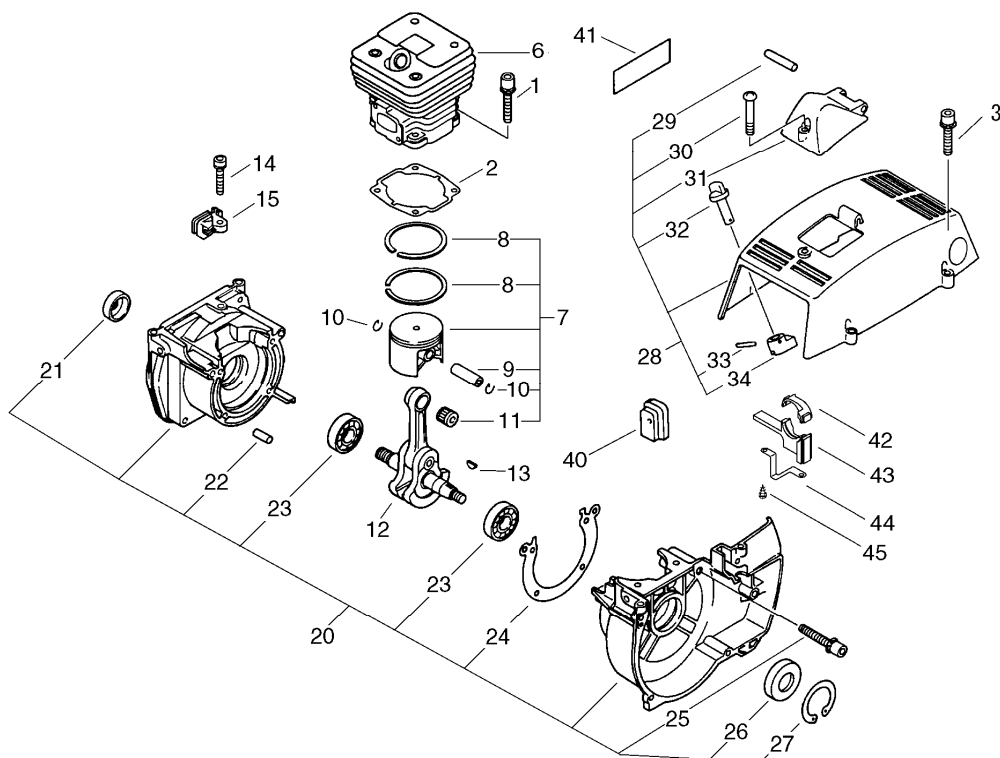
36000001 -

1. CYLINDER, CRANKCASE, PISTON



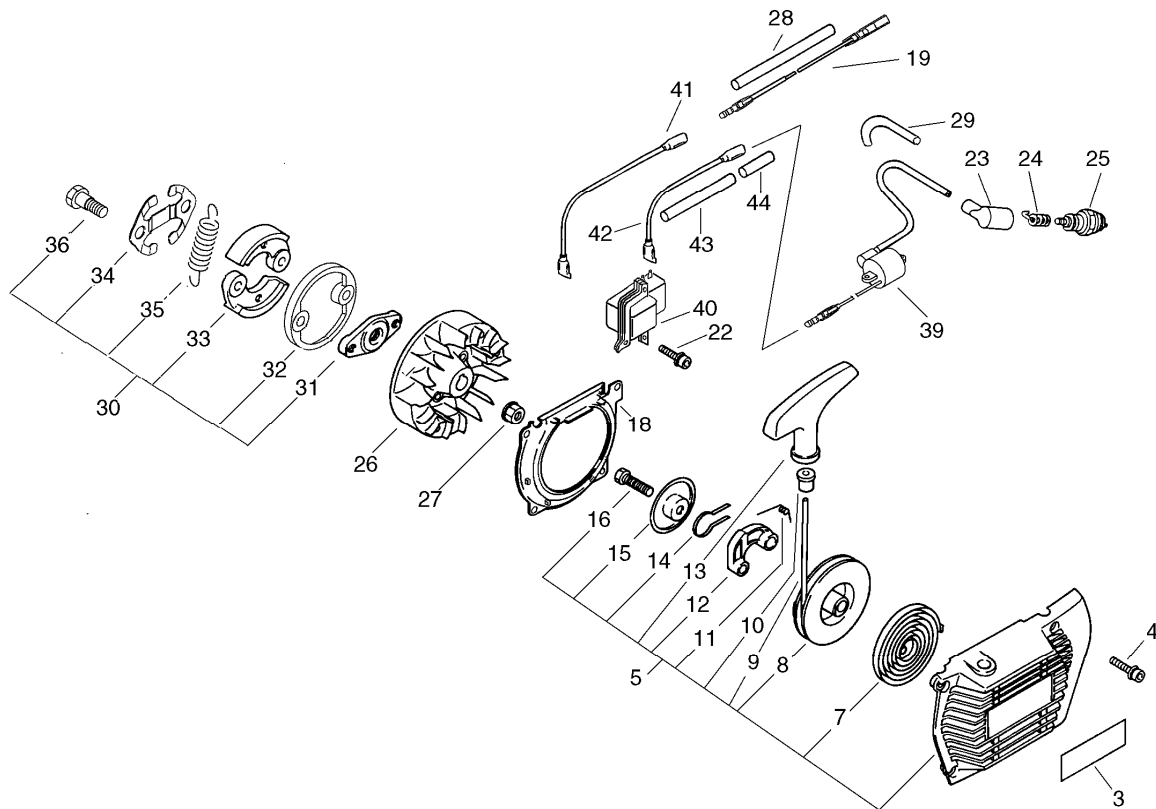
KEY	LV	PART NUMBER	Q'TY	DESCRIPTION	REMARKS	NOTE1	NOTE2
1		900162-05022	4	BOLT, H.S. 5*22	5*22 W,SW		
2		101010-54430	1	GASKET, CYL. BASE			
3		91118-05022	4	BOLT	CM-5*22		
6		A130-000590	1	CYLINDER			
7		P021-034160	1	PISTON KIT			
8	+	100011-32330	2	RING, PISTON			
9	+	100013-54430	1	PIN, PISTON			
10	+	100015-00120	2	CIRCLIP, PISTON PIN			
11	+	100012-12331	1	BEARING, NEEDLE			
12		100100-54432	1	CRANKSHAFT			
13		900323-03014	1	KEY WOODRUFF	3*14		
14		900105-05016	1	BOLT, H.S. 5*16	5*16		
15		C480-000110	1	GUIDE, CABLE	M6*1.0		
20		100204-54431	1	CRANKCASE KIT			
21	+	100212-19830	1	OILSEAL	ISM 15*25*6		
22	+	100215-03930	2	PIN, DOWEL			
23	+	900810-36202	2	BEARING, BALL 6202	6202/C3		
24	+	V102-000200	1	GASKET, CRANKCASE			
25	+	900162-05035	4	BOLT, H.S. 5*35	5*35 W,SW		
26	+	100213-02830	1	OILSEAL	ISMX15,35,6		
27	+	900702-00035	1	CIRCLIP 35	CR-35		
28		P021-007442	1	COVER, CYLINDER			
29	+	900330-40298	1	PIN 4*29.8	4*29.8		
30	+	163890-38330	1	BOLT, 5			
31	+	159015-54430	1	COVER, PLUG CAP			
32	+	178510-54430	1	ROD, CHOKE			

1. CYLINDER, CRANKCASE, PISTON



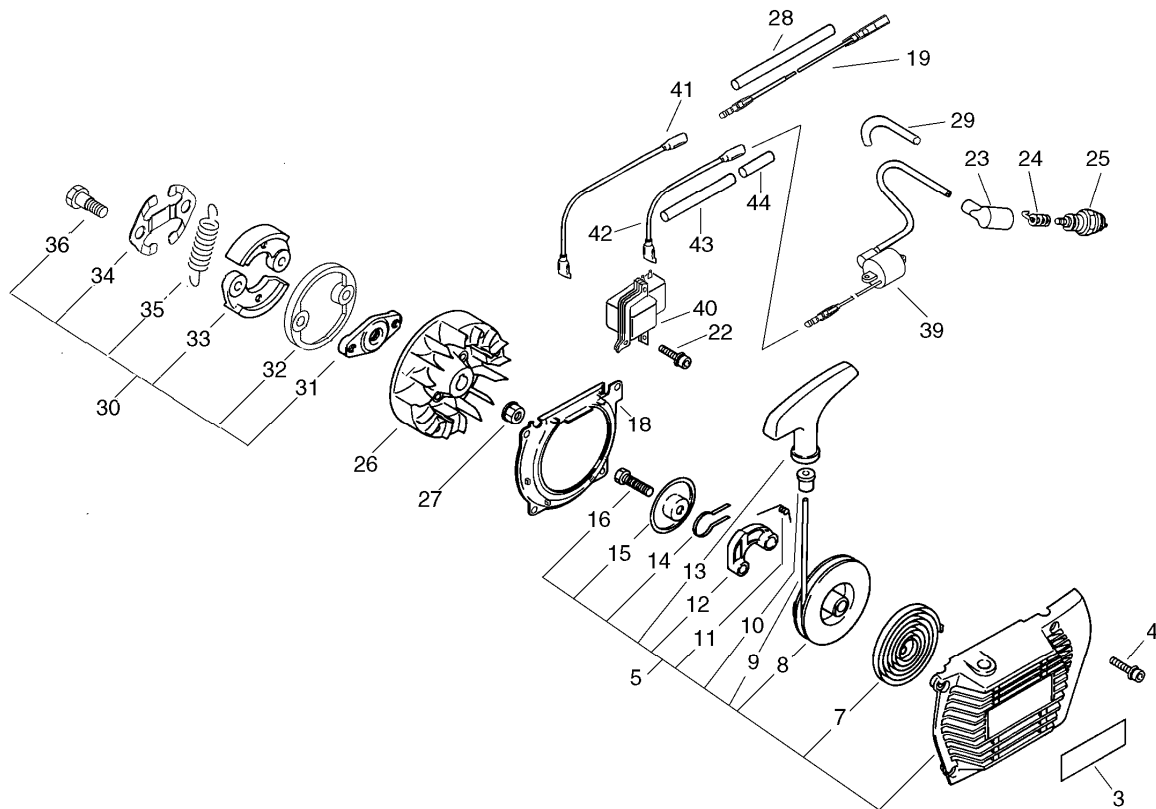
KEY	LV	PART NUMBER	Q'TY	DESCRIPTION	REMARKS	NOTE1	NOTE2
33	+	900342-20010	1	PIN, SPRING 2*10	2*10		
34	+	178522-54430	1	END, LEVER			
40		178215-54431	1	GROMMET			
41		X547-001790	1	LABEL,ECHO	SRM-580		
42		V541-000110	1	SEAL			
43		V541-000120	1	SEAL			
44		V152-001420	1	PLATE,ANGLE			
45		900253-04016	2	SCREW 4*16	4*16		

2. STARTER, MAGNETO, CLUTCH



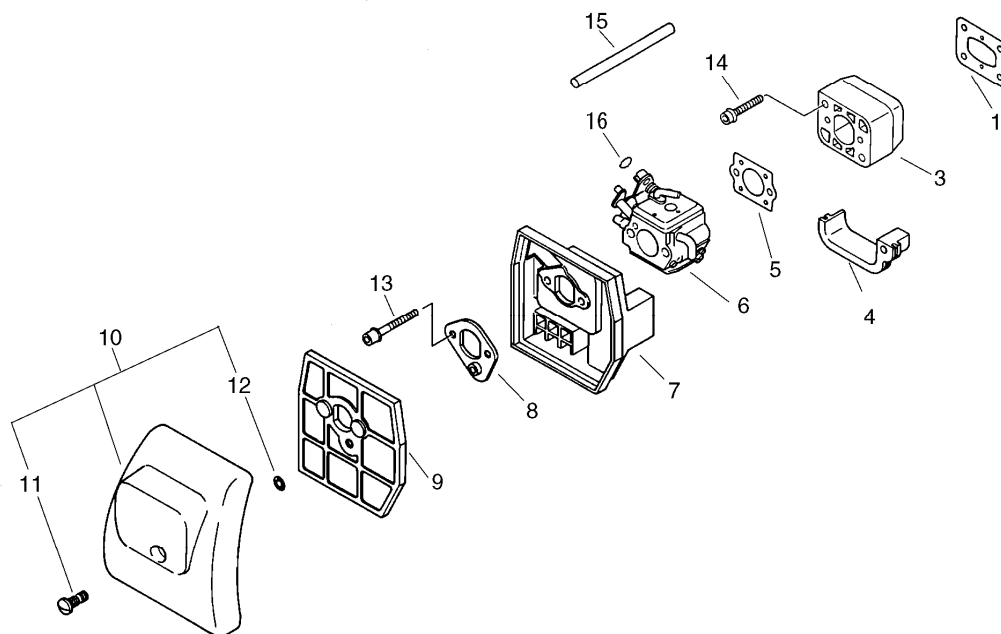
KEY	LV	PART NUMBER	Q'TY	DESCRIPTION	REMARKS	NOTE1	NOTE2
3		X502-000640	1	LABEL,ECHO	79.5*29.5		
4		91118-05022	4	BOLT	CM-5*22		
5		177200-54432	1	STARTER ASSEMBLY			
7	+	177220-06230	1	SPRING, REWIND			
8	+	177215-06230	1	DRUM, STARTER			
9	+	177226-06230	1	ROPE, STARTER			
10	+	177227-05530	1	GUIDE, ROPE			
11	+	177234-54430	1	SPRING, RETURN			
12	+	177218-54430	1	PAWL, STARTER			
13	+	177228-11120	1	GRIP, STARTER			
14	+	177233-54430	1	SPRING, FRICTION			
15	+	177211-06230	1	PLATE, FRICTION			
16	+	900100-06012	1	BOLT 6*12	6*12		
18		101511-54431	1	COVER, FAN			
19		V485-002190	1	LEAD			
22		900162-05022	2	BOLT, H.S. 5*22	5*22 W,SW		
23		159012-01620	1	CAP, SPARK PLUG			
24		159011-03432	1	COIL, SPARK PLUG			
25		A425-000000	1	SPARKPLUG	BPMR8Y		
26		A409-000221	1	ROTOR,MAGNETO	ID#9483		
27		900517-00010	1	NUT	10		
28		V475-001610	1	TUBE	7*8.6*55 HST-10		
29		150623-16130	1	TUBE			
30		P021-035610	1	CLUTCH ASY			
31	+	175016-54430	1	HUB, CLUTCH			

2. STARTER, MAGNETO, CLUTCH



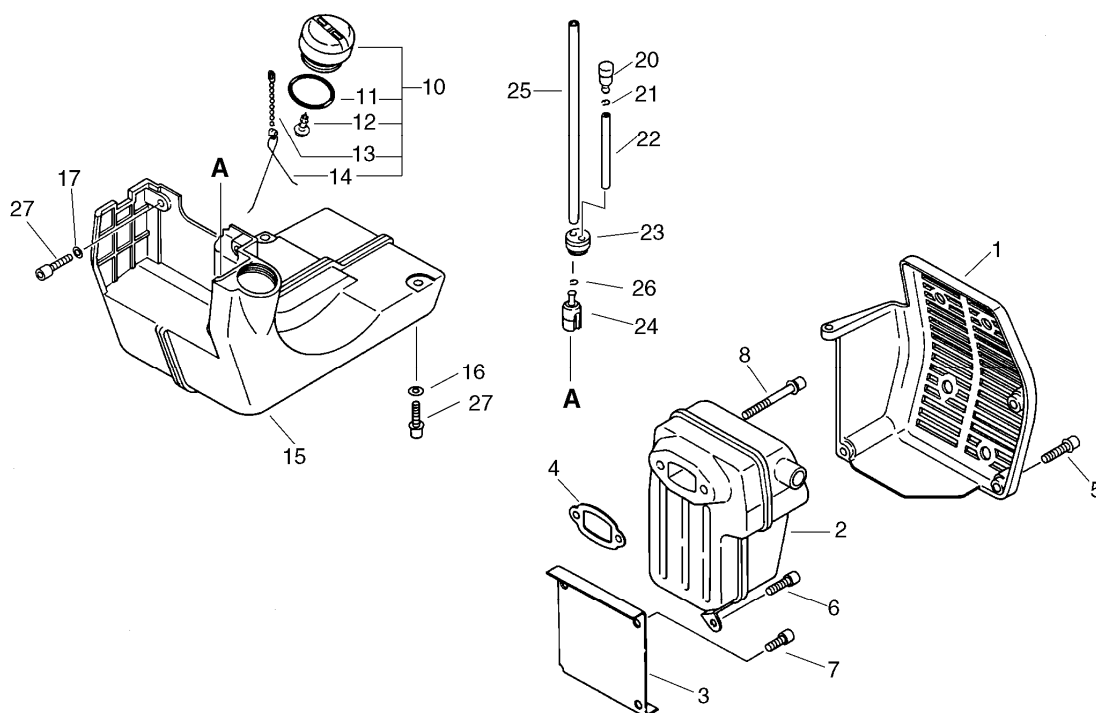
KEY	LV	PART NUMBER	Q'TY	DESCRIPTION	REMARKS	NOTE1	NOTE2
32	+	V376-001650	1	SPACER			
33	+	A553-000040	2	ARM,CLUTCH			
34	+	V453-000100	1	SPRING,FLAT	10.2		
35	+	V451-000480	1	SPRING,TENSION			
36	+	A557-000140	2	SHAFT,CLUTCH			
39		A411-000191	1	COIL,IGNITION	ID#C9478		
40		A410-000000	1	COIL,EXCITER			
41		162010-04561	1	LEAD,GROUND	210L		
42		V485-000510	1	LEAD			
43		V475-003570	1	TUBE	6*7*90		
44		178016-47430	1	TUBE	6*7*20 BL		

3. AIR CLEANER, CARBURETOR



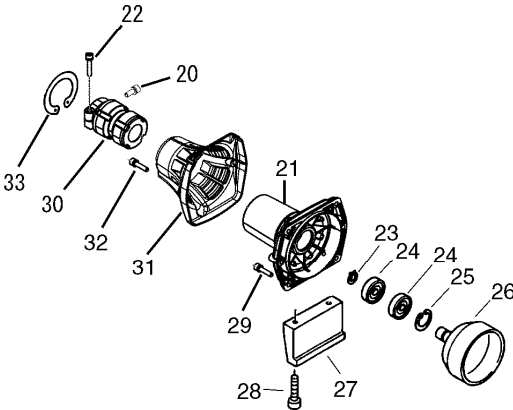
KEY	LV	PART NUMBER	Q'TY	DESCRIPTION	REMARKS	NOTE1	NOTE2
1		130010-54430	1	GASKET, INTAKE			
3		130007-54430	1	INSULATOR			
4		130012-54430	1	SEAL			
5		130016-54430	1	GASKET, INTAKE			
6		A021-000951	1	CARBURETOR,DIAPHRAGM	C3M-K80		
7		130314-54430	1	CASE, CLEANER			
8		130420-54430	1	BRACKET, AIR CLEANER			
9		130310-54430	1	FILTER, AIR			
10		130302-54431	1	COVER ASY, A.CLEANER			
11	+	130415-40630	1	SCREW			
12	+	900720-00004	1	O-RING (P-4)	P-4		
13		900105-05055	2	BOLT, H.S. 5*55	5*55		
14		900162-05030	2	BOLT, H.S. 5*30	5*30 W,SW		
15		130110-54430	1	PIPE, IMPULSE	3*6*105 NBR		
16		V490-000440	1	CLIP			

4. FUEL TANK, MUFFLER



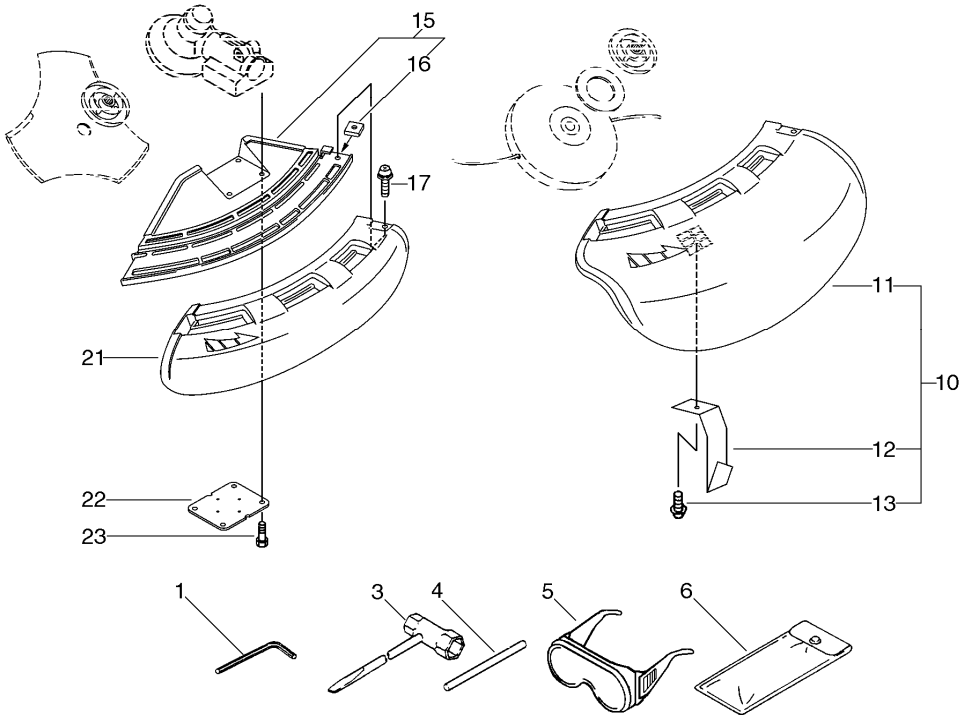
KEY	LV	PART NUMBER	Q'TY	DESCRIPTION	REMARKS	NOTE1	NOTE2
1		145906-54431	1	COVER, MUFFLER			
2		P021-008640	1	MUFFLER, EXHAUST			
3		145910-54430	1	INSULATOR, MUFFLER			
4		145510-54431	1	GASKET, MUFFLER			
5		91118-05018	3	BOLT	CM-5*18		
6		900105-05016	1	BOLT, H.S. 5*16	5*16		
7		900105-05010	2	BOLT, H.S. 5*10	5*10		
8		900162-05075	2	BOLT, H.S. 5*75	5*75 W,SW		
10		131004-16432	1	CAP ASY, FUEL			
11	+	900720-00032	1	O-RING 32	P-32		
12	+	900246-03008	1	SCREW 3*8	3*8		
13	+	131023-14730	1	CHAIN, BALL			
14	+	131042-14730	1	SPRING, CLOSS			
15		131005-54430	1	TANK, FUEL			
16		130031-10230	2	WASHER			
17		900600-00005	4	WASHER 5	5		
20		131300-56430	1	VALVE, CHECK			
21		132013-09820	1	CLIP	6MM		
22		132010-02960	1	PIPE, FUEL	3*6*30		
23		132115-44330	1	GROMMET			
24		131205-19831	1	STRAINER, FUEL			
25		132010-54430	1	PIPE	3*6*140 NBR		
26		132013-26630	1	CLIP	6.5MM		
27		91119-05016	6	BOLT	10.9 SILVER		

5. CLUTCH



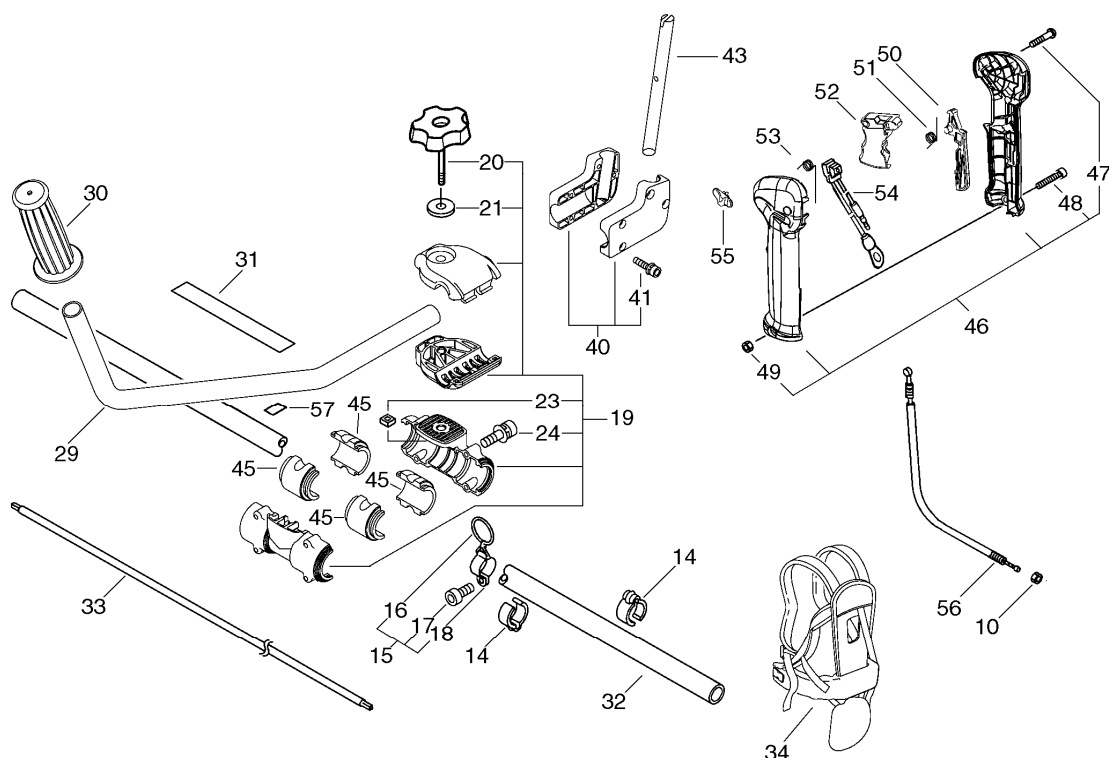
KEY	LV	PART NUMBER	Q'TY	DESCRIPTION	REMARKS	NOTE1	NOTE2
20		91118-05012	1	BOLT	CM-5*12		
21		A570-000260	1	CASE,CLUTCH			
22		91118-05028	1	BOLT	CM-5*28		
23		900701-00012	1	CIRCLIP 12	CS-12		
24		900807-06001	2	BEARING, BALL 6001	6001V(LB)		
25		900702-00028	1	CIRCLIP 28	CR-28		
26		A556-000181	1	DRUM,CLUTCH			
27		305110-54430	1	STAND			
28		91118-05020	2	BOLT	CM-5*20		
29		91118-05022	4	BOLT	CM-5*22		
30		V420-000980	1	CUSHION			
31		A580-000000	1	COVER,CLUTCH CASE			
32		91118-05020	2	BOLT	CM-5*20		
33		900702-00045	1	RING, RETAINING(IN)	CR-45		

6. SHIELD



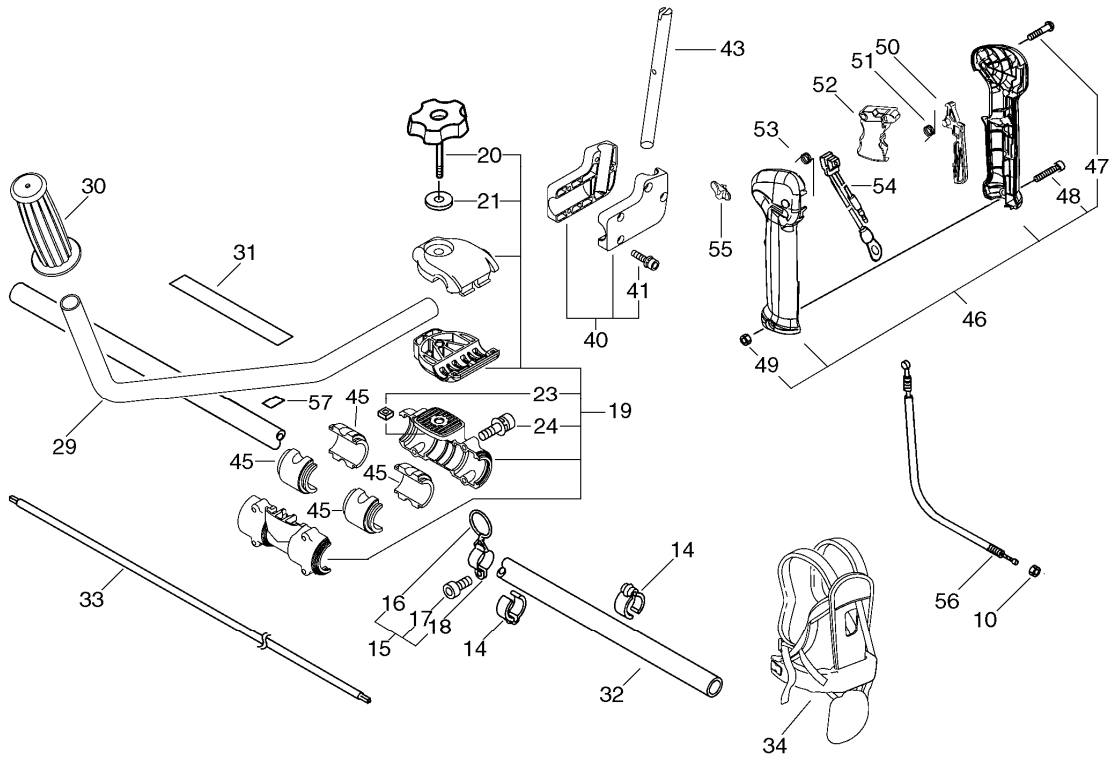
KEY	LV	PART NUMBER	Q'TY	DESCRIPTION	REMARKS	NOTE1	NOTE2
1		895610-00130	1	L-WRENCH (4MM)			
3		X602-000020	1	TOOL,WRENCH	17*19 L200		
4		X606-000080	1	TOOL,BAR	5*120		
5		X690-000050	1	GOGGLE	GOGGLE + NOTE		
6		898510-07130	1	BAG, TOOL			
10		P021-013770	1	SHIELD KIT			
11	+	C550-000080	1	SHIELD,BLADE			
12	+	C554-000030	1	KNIFE, CORD	17INCH		
13	+	900252-05012	1	SCREW 5*12	5*12		
15		C550-000100	1	SHIELD,BLADE			
16	+	900565-00005	1	NUT	5		
17		900242-05018	1	SCREW 5*18	5*18		
21		C550-000090	1	SHIELD,BLADE			
22		699013-56830	1	PLATE, SHIELD			
23		91118-05025	4	BOLT	CM-5*25		

7. U-HANDLE



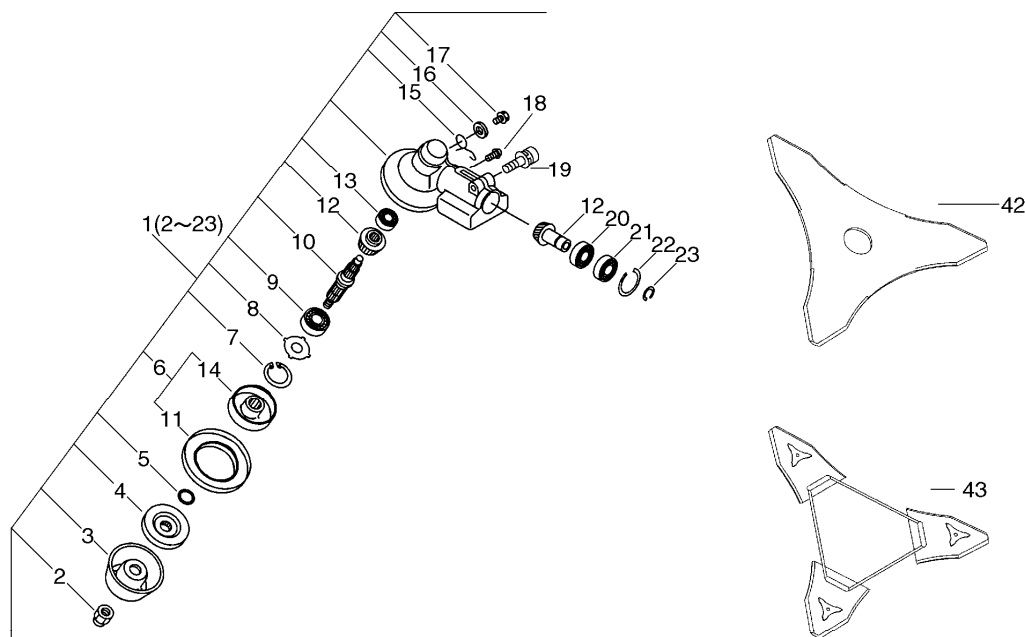
KEY	LV	PART NUMBER	Q'TY	DESCRIPTION	REMARKS	NOTE1	NOTE2
10		900502-00006	1	NUT 6 (3N)	3N6		
14		224924-52930	2	CLIP	28MM		
15		P021-012660	1	HOOK ASY			
16	+	301015-05330	1	HOOK, BAND			
17	+	91119-05012	1	BOLT	CB-5*12		
18	+	301210-04630	1	HOOK			
19		P021-012750	1	BRACKET ASY, HANDLE			
20	+	V299-000110	1	KNOB,FASTENER			
21	+	605014-54230	1	WASHER			
23	+	900565-50008	1	NUT	8*1.25		
24	+	91118-05035	4	BOLT			
29		C400-000400	1	HANDLE,FRONT			
30		351213-47531	1	GRIP, HANDLE			
31		890617-43130	1	LABEL,CAUTION			
32		C050-000880	1	PIPE, MAIN	T2.0*28		
33		610011-49931	1	SHAFT, DRIVE			
34		C062-000192	1	HARNESS,SHOULDER			
40		P021-012730	1	BRACKET ASY, HANDLE			
41	+	91118-05025	4	BOLT	CM-5*25		
43		351210-47530	1	HANDLE, REAR			
45		V420-001120	4	CUSHION			
46		P021-014090	1	GRIP ASY,F-HANDLE			
47	+	900256-04016	3	SCREW 4*16	4*16		
48	+	91119-05030	1	BOLT			
49	+	900500-00005	1	NUT 5	5		
50		C460-000111	1	LOCKOUT, THROTTLE	70MM		

7. U-HANDLE



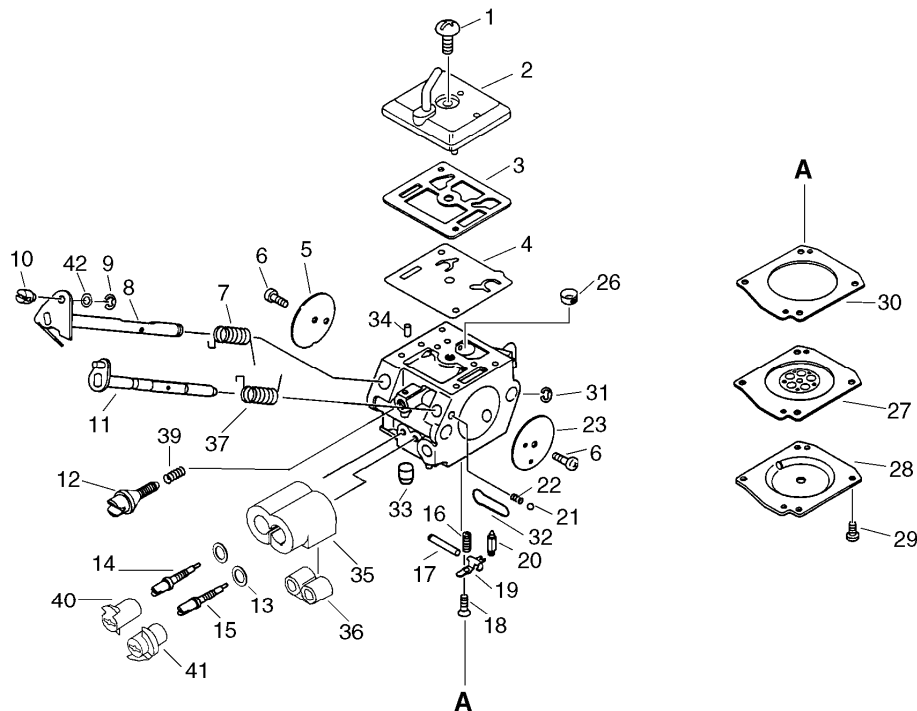
KEY	LV	PART NUMBER	Q'TY	DESCRIPTION	REMARKS	NOTE1	NOTE2
51		V452-000360	1	SPRING,TORSION			
52		C450-000270	1	CONTROL, THROTTLE			
53		V452-000350	1	SPRING,TORSION			
54		A440-001850	1	SWITCH, ON OFF			
55		C463-000020	1	KNOB, LATCH			
56		V430-003470	1	CABLE,BOWDEN			
57		890152-04930	1	LABEL, CAUTION			

8. GEAR CASE, CUTTER



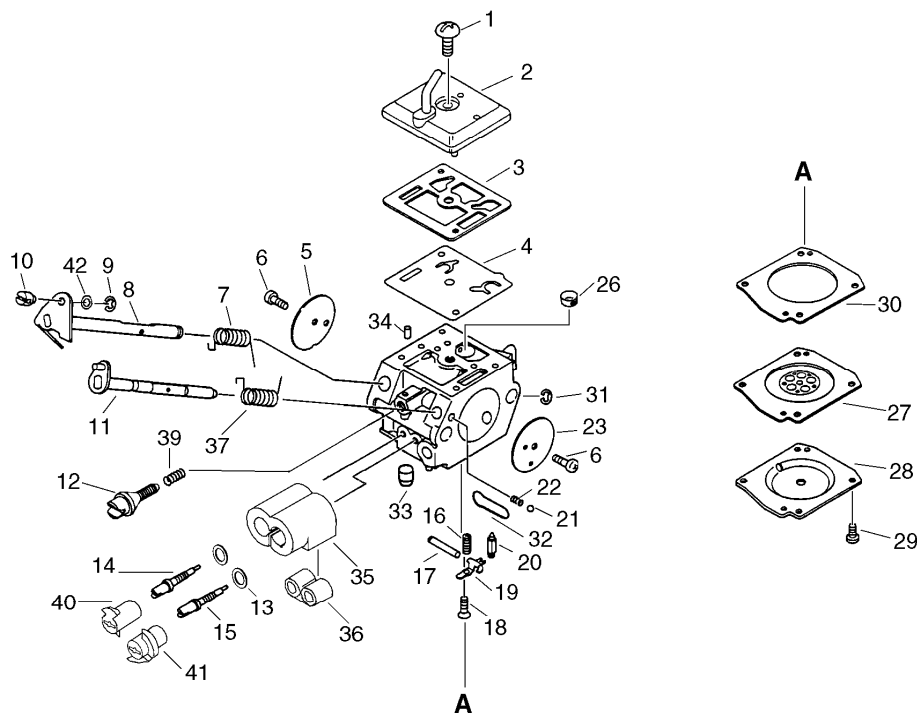
KEY	LV	PART NUMBER	Q'TY	DESCRIPTION	REMARKS	NOTE1	NOTE2
1		P021-012591	1	CASE,GEAR			
2	+	610320-52130	1	NUT 10			
3	+	699229-56830	1	PLATE, COVER			
4	+	610314-52130	1	PLATE, ADAPTER (L)			
5	+	900720-00012	1	O-RING 12	P-12		
6	+	C535-000001	1	FIXTURE,BLADE			
11	++	610352-56830	1	PLATE, CUP			
14	++	C535-000011	1	FIXTURE,BLADE			
7	+	900702-00032	1	CIRCLIP 32	CR-32		
8	+	610444-56830	1	WASHER			
9	+	900812-06201	1	BEARING, BALL 6201	6201DDU(LLU)		
10	+	610310-56931	1	SHAFT, P.T.O.			
12	+	610300-56930	1	GEAR SET			
13	+	900810-00629	1	BEARING, BALL 629	629		
15	+	610473-52131	1	SPRING			
16	+	900603-50008	1	WASHER	8.5*18*0.8T		
17	+	610434-50031	1	BOLT 8* 8	M8*8		
18	+	900242-05010	1	SCREW 5*10	5*10		
19	+	91118-06030	1	BOLT	CM-6*30		
20	+	900800-06001	1	BEARING, BALL 6001	6001		
21	+	900803-06001	1	BEARING, BALL 6001	6001Z		
22	+	900702-00028	1	CIRCLIP 28	CR-28		
23	+	900701-00012	1	CIRCLIP 12	CS-12		
42		P021-014320	1	SAW,BUSH CUTTER	255*T3.0		
43		X495-000280	1	SCABBARD,BLADE	9", 10" 3 CUTTER		

9. CARBURETOR



KEY	LV	PART NUMBER	Q'TY	DESCRIPTION	REMARKS	NOTE1	NOTE2
		A021-000951	1	CARBURETOR,DIAPHRAGM	C3M-K80		
1	+	125310-13930	1	SCREW			
2	+	125324-54430	1	COVER, PUMP			
3	+	P005-001430	1	GASKET, PUMP			
4	+	P005-001420	1	DIAPHRAGM, PUMP			
5	+	125316-54430	1	VALVE, THROTTLE			
6	+	125314-51230	2	SCREW	3*4.5		
7	+	125313-54430	1	SPRING, THRT. RETURN			
8	+	P005-001610	1	SHAFT ASY,THROTTLE			
9	+	125327-13930	1	CLIP			
10	+	P005-001860	1	SWIVEL			
11	+	P005-001490	1	SHAFT, CHOKE			
12	+	P005-001480	1	SCREW, THROTTLE ADJUST			
13	+	125353-20560	2	WASHER			
14	+	P005-001460	1	SCREW, IDLE MIXTURE			
15	+	P005-001450	1	SCREW, MAIN MIXTURE			
16	+	125322-11520	1	SPRING, COIL			
17	+	125338-13930	1	PIN, METERING ARM			
18	+	125339-13930	1	SCREW			
19	+	125323-08260	1	ARM, VALVE			
20	+	125337-08260	1	VALVE, INLET NEEDLE			
21	+	125336-33330	1	BALL, STEEL			
22	+	125335-33330	1	SPRING, FRICTION			
23	+	125332-33330	1	VALVE, CHOKE			
26	+	125326-08360	1	STRAINER			
27	+	125341-54430	1	DIAPHRAGM			

9. CARBURETOR



KEY	LV	PART NUMBER	Q'TY	DESCRIPTION	REMARKS	NOTE1	NOTE2
28	+	P005-001850	1	COVER, DIAPHRAGM			
29	+	125344-52130	4	SCREW			
30	+	P005-001440	1	GASKET, METERING			
31	+	125327-15130	1	CLIP			
32	+	125345-15130	1	PLUG, WELCH			
33	+	P005-001470	1	NOZZLE, CHECK VALVE			
34	+	125378-13930	1	PIECE, FRICTION			
35	+	P005-001510	1	RETAINER, LIMIT CAP			
36	+	P005-001500	1	SCREW, BOOT ADJUST			
37	+	P005-001560	1	SPRING, CHOKE RETURN			
39	+	125333-08560	1	SPRING, ADJUST SCREW			
40	+	P005-001530	1	LIMITER, TEMPER			
41	+	P005-001520	1	LIMITER, TEMPER			
42	+	P005-001870	1	WASHER			

Index

Patrs Number	Key No.	Patrs Number	Key No.	Patrs Number	Key No.
100011-32330	1 - 8	131300-56430	4 - 20	890617-43130	7 - 31
100012-12331	1 - 11	132010-02960	4 - 22	895610-00130	6 - 1
100013-54430	1 - 9	132010-54430	4 - 25	898510-07130	6 - 6
100015-00120	1 - 10	132013-09820	4 - 21	900100-06012	2 - 16
100100-54432	1 - 12	132013-26630	4 - 26	900105-05010	4 - 7
100204-54431	1 - 20	132115-44330	4 - 23	900105-05016	1 - 14
100212-19830	1 - 21	145510-54431	4 - 4	900105-05016	4 - 6
100213-02830	1 - 26	145906-54431	4 - 1	900105-05055	3 - 13
100215-03930	1 - 22	145910-54430	4 - 3	900162-05022	1 - 1
101010-54430	1 - 2	150623-16130	2 - 29	900162-05022	2 - 22
101511-54431	2 - 18	159011-03432	2 - 24	900162-05030	3 - 14
125310-13930	9 - 1	159012-01620	2 - 23	900162-05035	1 - 25
125313-54430	9 - 7	159015-54430	1 - 31	900162-05075	4 - 8
125314-51230	9 - 6	162010-04561	2 - 41	900242-05010	8 - 18
125316-54430	9 - 5	163890-38330	1 - 30	900242-05018	6 - 17
125322-11520	9 - 16	175016-54430	2 - 31	900246-03008	4 - 12
125323-08260	9 - 19	177200-54432	2 - 5	900252-05012	6 - 13
125324-54430	9 - 2	177211-06230	2 - 15	900253-04016	1 - 45
125326-08360	9 - 26	177215-06230	2 - 8	900256-04016	7 - 47
125327-13930	9 - 9	177218-54430	2 - 12	900323-03014	1 - 13
125327-15130	9 - 31	177220-06230	2 - 7	900330-40298	1 - 29
125332-33330	9 - 23	177226-06230	2 - 9	900342-20010	1 - 33
125333-08560	9 - 39	177227-05530	2 - 10	900500-00005	7 - 49
125335-33330	9 - 22	177228-11120	2 - 13	900502-00006	7 - 10
125336-33330	9 - 21	177233-54430	2 - 14	900517-00010	2 - 27
125337-08260	9 - 20	177234-54430	2 - 11	900565-00005	6 - 16
125338-13930	9 - 17	178016-47430	2 - 44	900565-50008	7 - 23
125339-13930	9 - 18	178215-54431	1 - 40	900600-00005	4 - 17
125341-54430	9 - 27	178510-54430	1 - 32	900603-50008	8 - 16
125344-52130	9 - 29	178522-54430	1 - 34	900701-00012	5 - 23
125345-15130	9 - 32	224924-52930	7 - 14	900701-00012	8 - 23
125353-20560	9 - 13	301015-05330	7 - 16	900702-00028	5 - 25
125378-13930	9 - 34	301210-04630	7 - 18	900702-00028	8 - 22
130007-54430	3 - 3	305110-54430	5 - 27	900702-00032	8 - 7
130010-54430	3 - 1	351210-47530	7 - 43	900702-00035	1 - 27
130012-54430	3 - 4	351213-47531	7 - 30	900702-00045	5 - 33
130016-54430	3 - 5	605014-54230	7 - 21	900720-00004	3 - 12
130031-10230	4 - 16	610011-49931	7 - 33	900720-00012	8 - 5
130110-54430	3 - 15	610300-56930	8 - 12	900720-00032	4 - 11
130302-54431	3 - 10	610310-56931	8 - 10	900800-06001	8 - 20
130310-54430	3 - 9	610314-52130	8 - 4	900803-06001	8 - 21
130314-54430	3 - 7	610320-52130	8 - 2	900807-06001	5 - 24
130415-40630	3 - 11	610352-56830	8 - 11	900810-00629	8 - 13
130420-54430	3 - 8	610434-50031	8 - 17	900810-36202	1 - 23
131004-16432	4 - 10	610444-56830	8 - 8	900812-06201	8 - 9
131005-54430	4 - 15	610473-52131	8 - 15	91118-05012	5 - 20
131023-14730	4 - 13	699013-56830	6 - 22	91118-05018	4 - 5
131042-14730	4 - 14	699229-56830	8 - 3	91118-05020	5 - 28
131205-19831	4 - 24	890152-04930	7 - 57	91118-05020	5 - 32

Index

Patrs Number	Key No.	Patrs Number	Key No.	Patrs Number	Key No.
91118-05022	1 - 3	P005-001560	9 - 37		
91118-05022	2 - 4	P005-001610	9 - 8		
91118-05022	5 - 29	P005-001850	9 - 28		
91118-05025	6 - 23	P005-001860	9 - 10		
91118-05025	7 - 41	P005-001870	9 - 42		
91118-05028	5 - 22	P021-007442	1 - 28		
91118-05035	7 - 24	P021-008640	4 - 2		
91118-06030	8 - 19	P021-012591	8 - 1		
91119-05012	7 - 17	P021-012660	7 - 15		
91119-05016	4 - 27	P021-012730	7 - 40		
91119-05030	7 - 48	P021-012750	7 - 19		
A021-000951	3 - 6	P021-013770	6 - 10		
A021-000951	9 -	P021-014090	7 - 46		
A130-000590	1 - 6	P021-014320	8 - 42		
A409-000221	2 - 26	P021-034160	1 - 7		
A410-000000	2 - 40	P021-035610	2 - 30		
A411-000191	2 - 39	V102-000200	1 - 24		
A425-000000	2 - 25	V152-001420	1 - 44		
A440-001850	7 - 54	V299-000110	7 - 20		
A553-000040	2 - 33	V376-001650	2 - 32		
A556-000181	5 - 26	V420-000980	5 - 30		
A557-000140	2 - 36	V420-001120	7 - 45		
A570-000260	5 - 21	V430-003470	7 - 56		
A580-000000	5 - 31	V451-000480	2 - 35		
C050-000880	7 - 32	V452-000350	7 - 53		
C062-000192	7 - 34	V452-000360	7 - 51		
C400-000400	7 - 29	V453-000100	2 - 34		
C450-000270	7 - 52	V475-001610	2 - 28		
C460-000111	7 - 50	V475-003570	2 - 43		
C463-000020	7 - 55	V485-000510	2 - 42		
C480-000110	1 - 15	V485-002190	2 - 19		
C535-000001	8 - 6	V490-000440	3 - 16		
C535-000011	8 - 14	V541-000110	1 - 42		
C550-000080	6 - 11	V541-000120	1 - 43		
C550-000090	6 - 21	X495-000280	8 - 43		
C550-000100	6 - 15	X502-000640	2 - 3		
C554-000030	6 - 12	X547-001790	1 - 41		
P005-001420	9 - 4	X602-000020	6 - 3		
P005-001430	9 - 3	X606-000080	6 - 4		
P005-001440	9 - 30	X690-000050	6 - 5		
P005-001450	9 - 15				
P005-001460	9 - 14				
P005-001470	9 - 33				
P005-001480	9 - 12				
P005-001490	9 - 11				
P005-001500	9 - 36				
P005-001510	9 - 35				
P005-001520	9 - 41				
P005-001530	9 - 40				

YAMABIKO CORPORATION

7-2 SUEHIROCHO 1-CHOME, OHME, TOKYO 198-8760, JAPAN
PHONE: 81-428-32-6118. FAX: 81-428-32-6145.



10lb
No. 67-222