

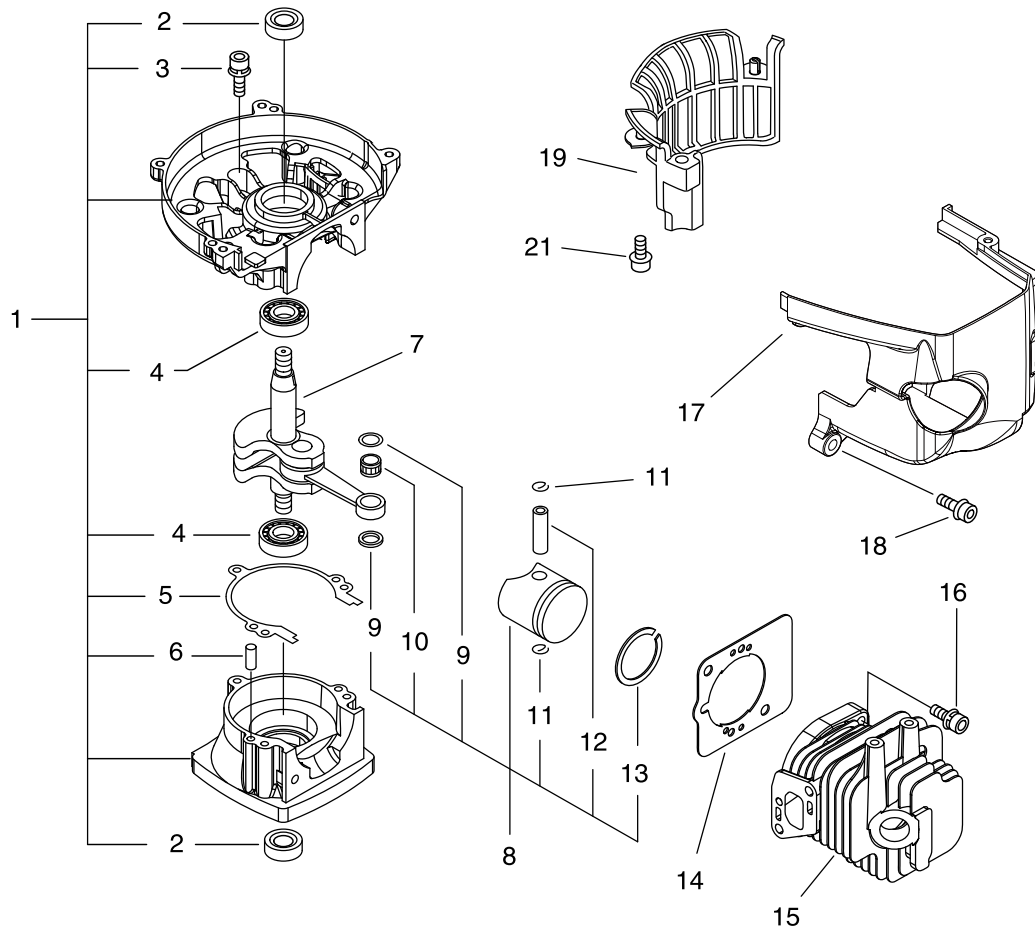


PARTS CATALOGUE

HEDGE TRIMMER HC-155ES(36)

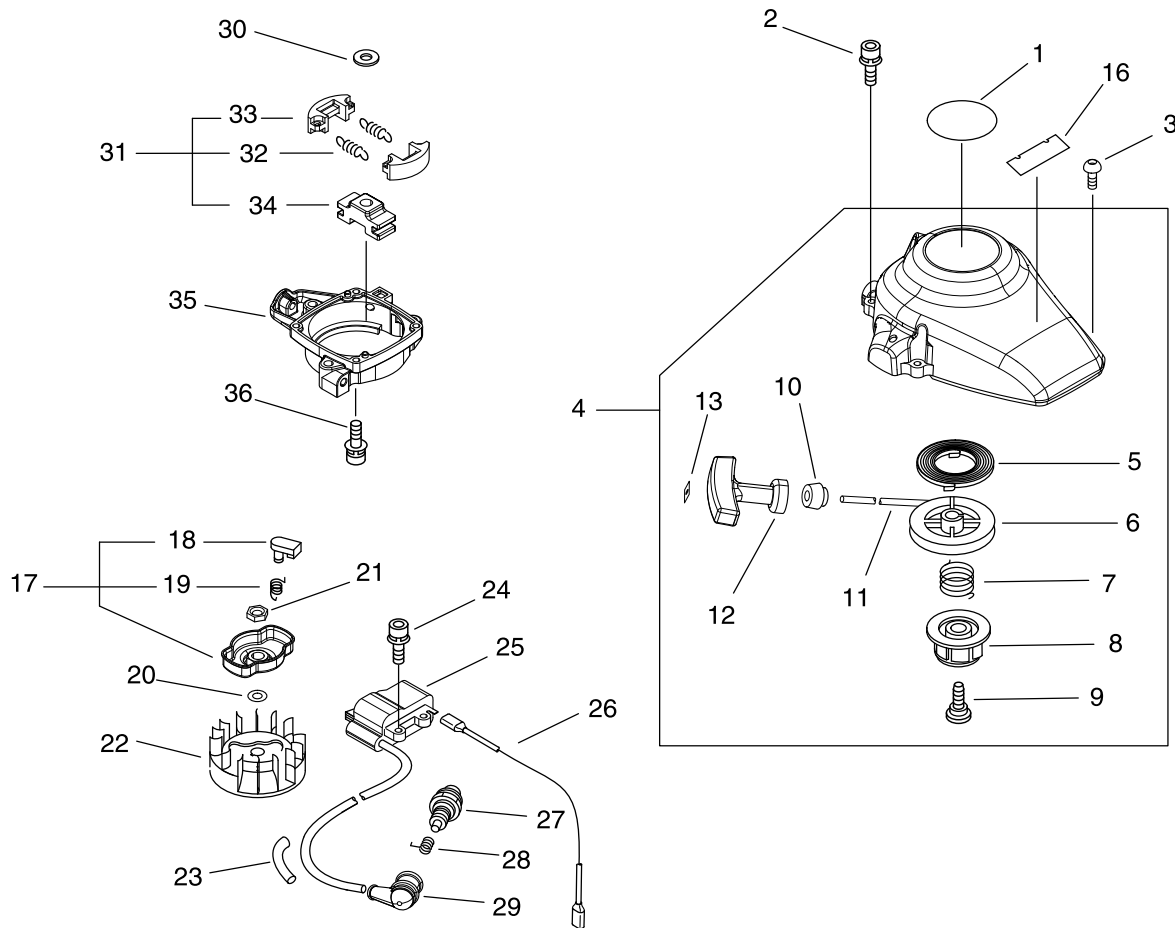
36000001 -

1. CYLINDER, CRANKCASE, PISTON



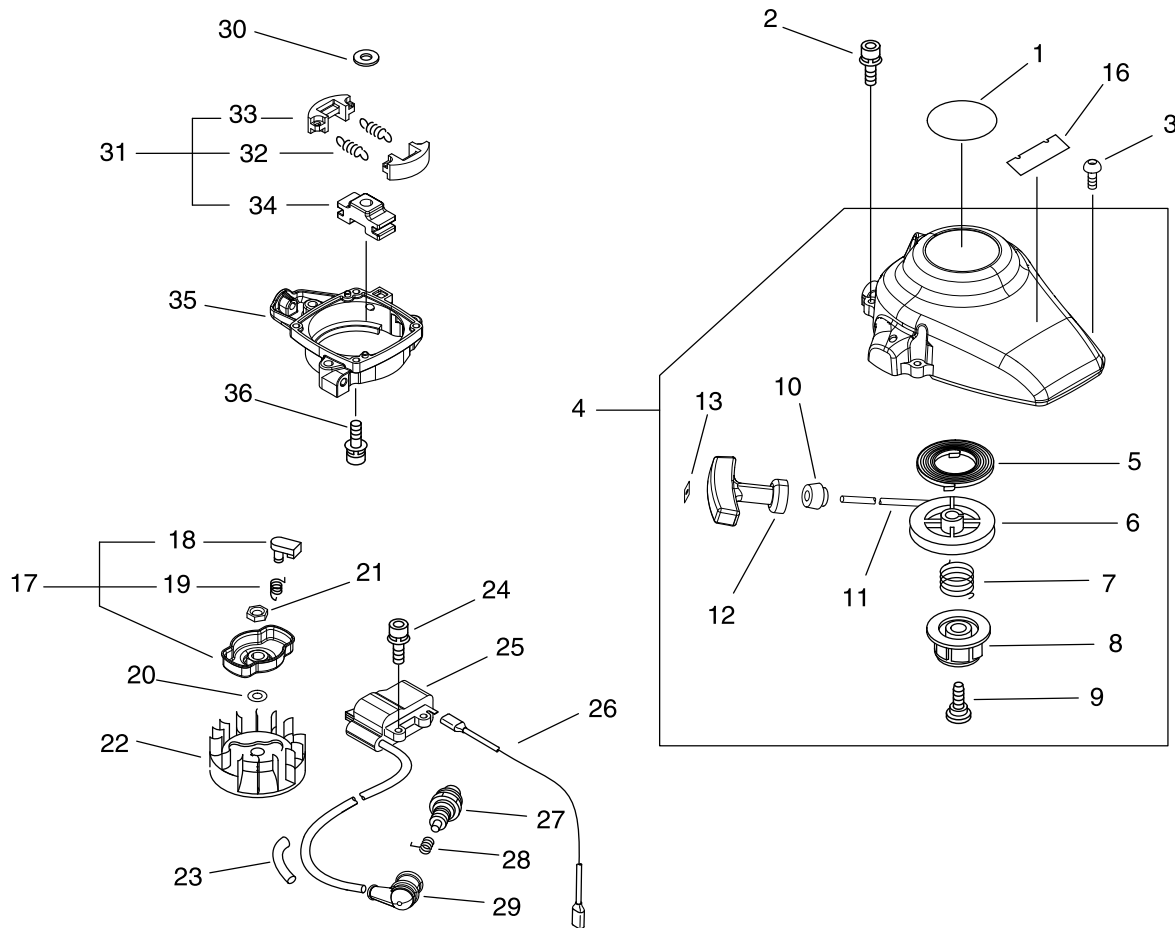
KEY	LV	PART NUMBER	Q'TY	DESCRIPTION	REMARKS	NOTE1	NOTE2
1		100204-52133	1	CRANKCASE KIT			
2	+	100212-42031	2	OILSEAL	ISCD 12*22*4.5		
3	+	900162-05028	3	BOLT, H.S. 5*28	5*28 W,SW		
4	+	94035-36201	2	BEARING BALL	6201X3JR2C3		
5	+	100242-42030	1	GASKET, CRANKCASE			
6	+	100215-03930	2	PIN, DOWEL			
7		A011-000223	1	CRANKSHAFT,ASM			
8		P021-007772	1	PISTON KIT			
9	+	100014-08960	2	SPACER, PISTON PIN			
10	+	100113-05930	1	BEARING, NEEDLE	8*12*8		
11	+	100015-04630	2	CIRCLIP, PISTON PIN			
12	+	100013-11520	1	PIN, PISTON			
13	+	A101-000090	1	RING,PISTON			
14		V100-000160	1	GASKET,CYL			
15		A130-000550	1	CYLINDER			
16		900162-05022	2	BOLT, H.S. 5*22	5*22 W,SW		
17		A160-000880	1	COVER,CYLINDER			
18		91121-05016	1	BOLT, FLANGE	10.9 SILVER		
19		A127-000170	1	COVER,DUST			
21		91118-05016	1	BOLT	CM-5*16		

2. STARTER, MAGNETO, CLUTCH



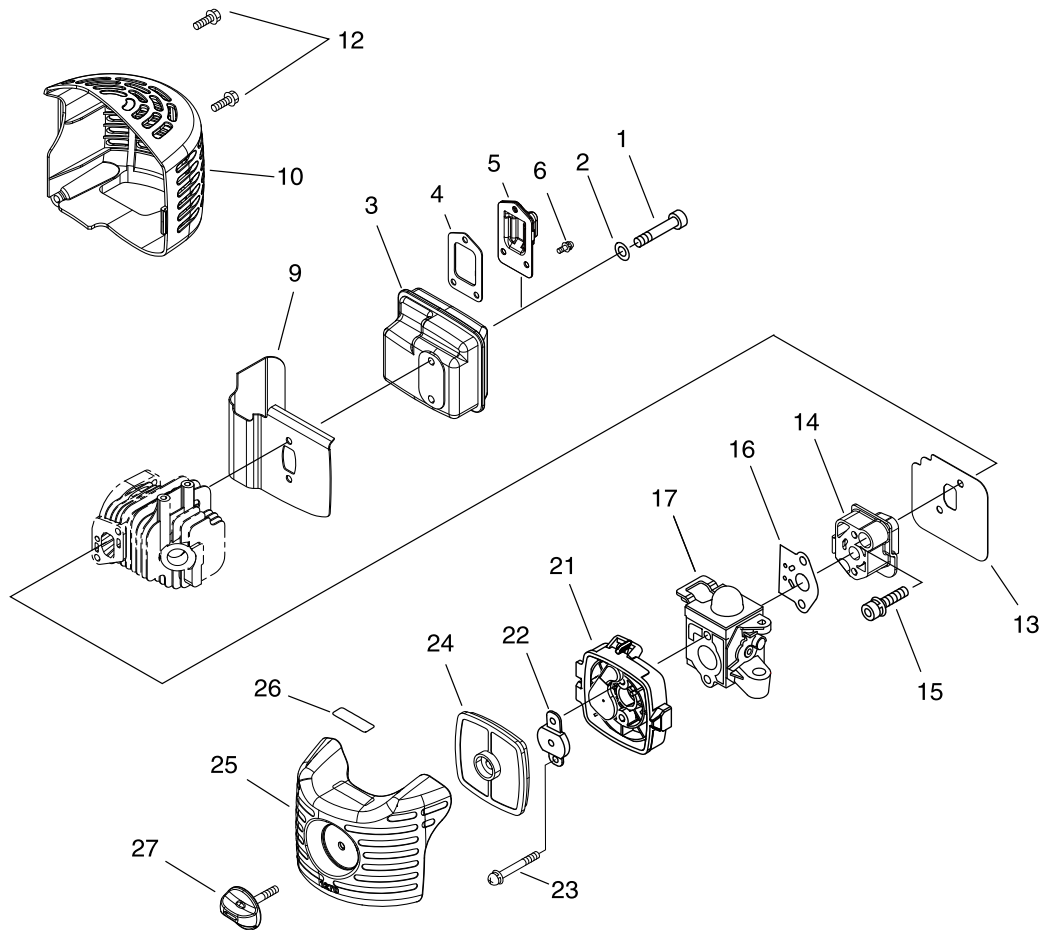
KEY	LV	PART NUMBER	Q'TY	DESCRIPTION	REMARKS	NOTE1	NOTE2
1		X502-000330	1	LABEL,ECHO	ECHO		
2		V202-000090	4	BOLT,4	4*16		
3		V202-000030	1	BOLT,4			
4		A051-001110	1	STARTER,RECOIL ASY			
5	+	177220-42030	1	SPRING,REWIND			
6	+	P022-006830	1	DRUM			
7	+	V452-000150	1	SPRING,TORSION			
8	+	A507-000030	1	CATCHER,PAWL			
9	+	177236-61830	1	SCREW			
10	+	177227-42030	1	GUIDE, ROPE			
11	+	P022-008260	1	ROPE	3M/M		
12	+	177228-27030	1	GRIP, STARTER			
13	+	177246-11120	1	CLIP, STARTER ROPE			
16		X503-010860	1	LABEL,MODEL			
17		A052-000210	1	PULLEY,ASM STARTER			
18	+	P022-020030	2	PAWL, STARTER			
19	+	P022-007980	2	SPRING, RETURN			
20		900600-00008	1	WASHER 8	8		
21		900512-00008	1	NUT 3N 8 (L-H)	3N 8		
22		A409-000210	1	ROTOR,MAGNETO			
23		V475-001610	1	TUBE	7*8.6*55 HST-10		
24		91113-04020	2	BOLT	CM-4*20 SW,W		
25		A411-000130	1	COIL,IGNITION			
26		V485-000870	1	LEAD	L=190,#187,CA104		

2. STARTER, MAGNETO, CLUTCH



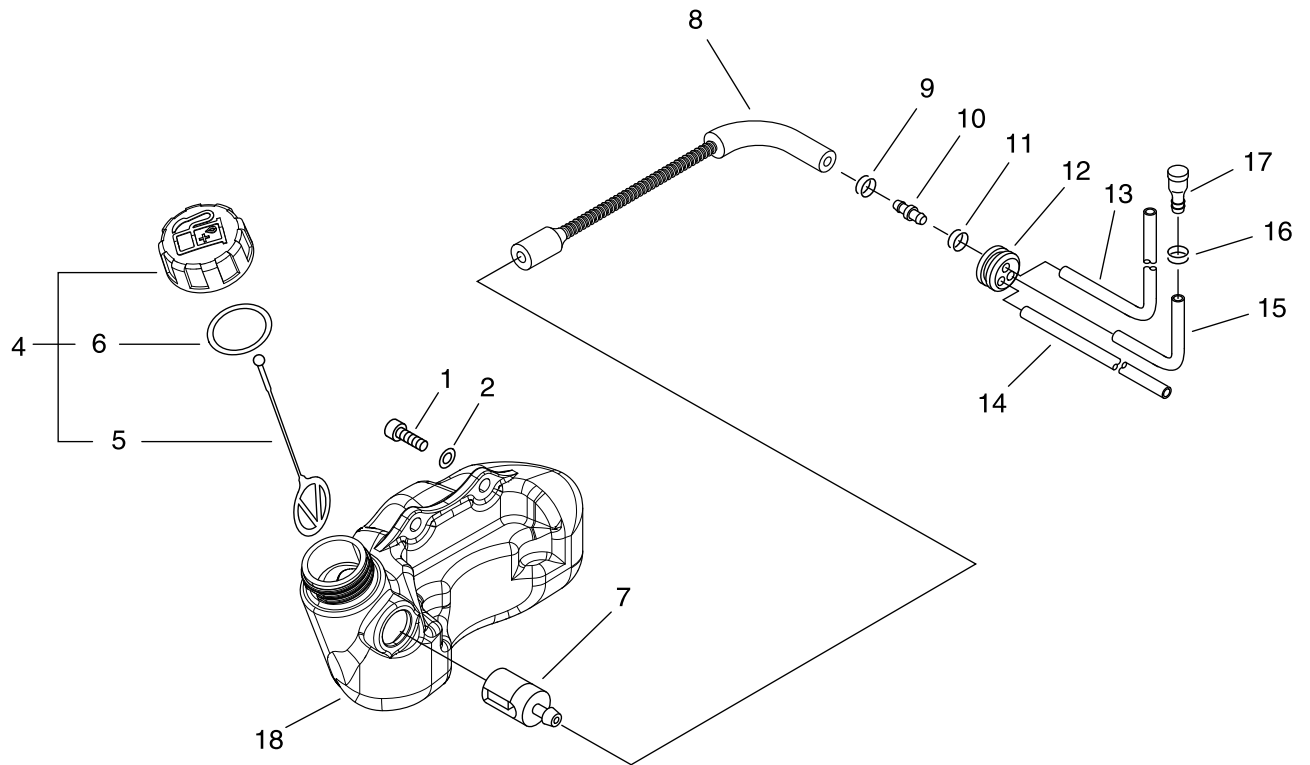
KEY	LV	PART NUMBER	Q'TY	DESCRIPTION	REMARKS	NOTE1	NOTE2
27		A425-000000	1	SPARKPLUG	BPMR8Y		
28		A426-000010	1	TERMINAL,SPARKPLUG			
29		A427-000013	1	CAP,SPARK PLUG			
30		610350-12360	1	WASHER			
31		A056-000190	1	CLUTCH ASY	M8*1.25		
32	+	A566-000000	2	SPRING, CLUTCH			
33	+	175017-44331	2	SHOE, CLUTCH			
34	+	A552-000080	1	HUB, CLUTCH			
35		A570-000160	1	CASE,CLUTCH	ACT#050603B-007A		
36		900163-04016	4	BOLT HSH			

3. AIR CLEANER, CARBURETOR, MUFFLER



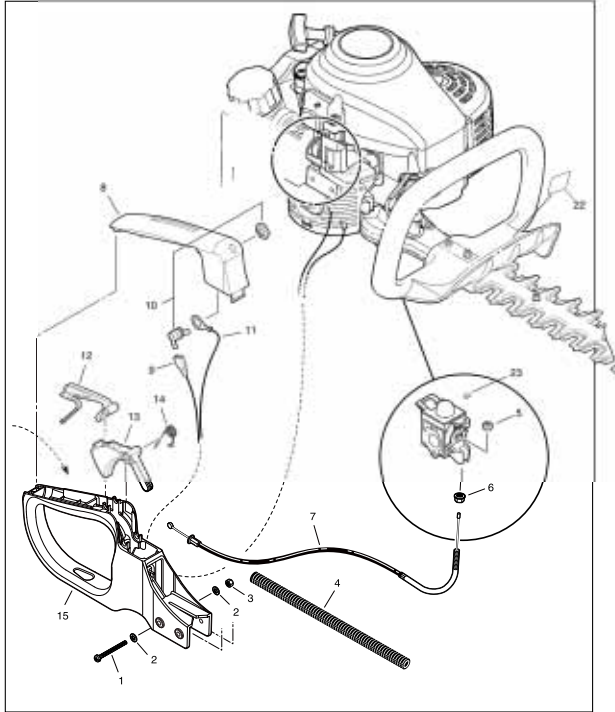
KEY	LV	PART NUMBER	Q'TY	DESCRIPTION	REMARKS	NOTE1	NOTE2
1		900105-05055	2	BOLT, H.S. 5*55	5*55		
2		900600-00005	2	WASHER 5	5		
3		145806-42030	1	MUFFLER			
4		145866-42031	1	GASKET, MUFFLER LID			
5		A313-001710	1	GUIDE, EXHAUST			
6		900242-04010	3	SCREW 4*10	4*10		
9		V104-000850	1	GASKET, EXHAUST	T1.0		
10		A320-000430	1	COVER, MUFFLER			
12		91121-05016	2	BOLT, FLANGE	10.9 SILVER		
13		V103-000180	1	GASKET, INTAKE			
14		A200-000300	1	INSULATOR, INTAKE			
15		900162-05025	2	BOLT, H.S. 5*25	5*25 W, SW		
16		V103-000410	1	GASKET, INTAKE	T:0.5		
17		A021-001610	1	CARBURETOR, DIAPHRAGM	ZAMA RB-K		
21		P021-012870	1	CLEANER CASE ASY			
22		129011-52730	1	PLATE, PREVENT			
23		900242-05065	2	SCREW 5*65	5*65		
24		A226-001410	1	ELEMENT, AIR FILTER			
25		A232-000400	1	LID, CLEANER			
26		890332-52730	1	LABEL, CHOKE			
27		V299-000250	1	KNOB, FASTENER			

4. FUEL TANK



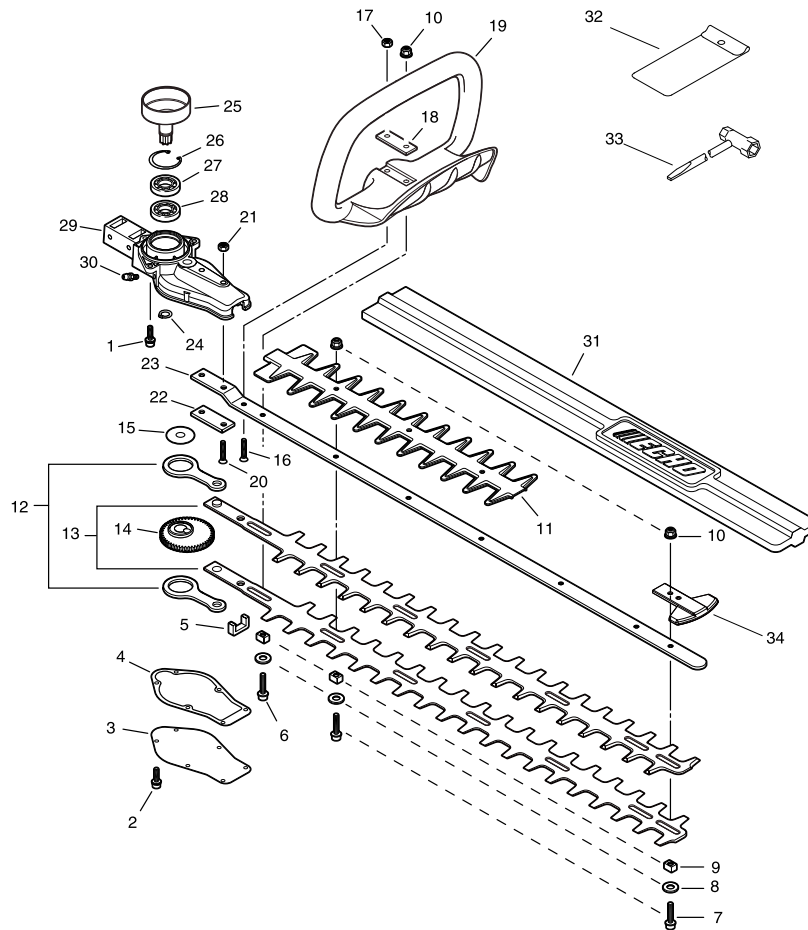
KEY	LV	PART NUMBER	Q'TY	DESCRIPTION	REMARKS	NOTE1	NOTE2
1		91118-05020	3	BOLT	CM-5*20		
2		900603-00005	3	WASHER 5	5.5*12*0.8		
4		P021-012210	1	CAP,FUEL ASY			
5	+	A365-000060	1	CONNECTOR,CAP	L=123		
6	+	131016-55830	1	GASKET, FUEL CAP			
7		131205-07320	1	STRAINER, FUEL			
8		132012-12361	1	PIPE			
9		132013-26630	1	CLIP	6.5MM		
10		V186-000020	1	JOINT,PIPE			
11		132013-09820	1	CLIP	6MM		
12		132115-55930	1	GROMMET, FUEL			
13		130110-54430	1	PIPE, IMPULSE	3*6*105 NBR		
14		132010-40830	1	PIPE 3* 6* 75	3*6*75 YL		
15		V471-001880	1	PIPE	3*6*65		
16		437411-19830	1	CLIP, OIL PIPE			
17		A356-000030	1	VALVE,CHECK			
18		A350-000590	1	TANK, FUEL			

5. HANDLE



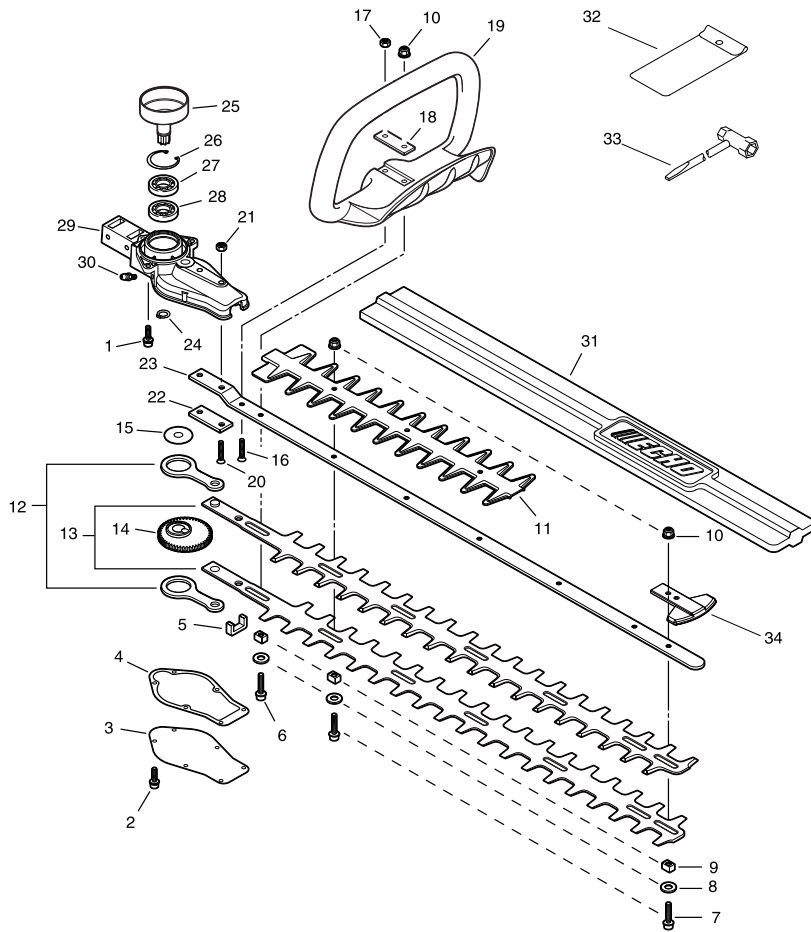
KEY	LV	PART NUMBER	Q'TY	DESCRIPTION	REMARKS	NOTE1	NOTE2
1		900220-05045	2	SCREW 5*45	5*45		
2		900600-00005	4	WASHER 5	5		
3		900560-00005	2	NUT, LOCK 5	5		
4		V475-004150	1	TUBE	7*L120スリットイリ		
5		900502-00006	1	NUT 6 (3N)	3N6		
6		900515-00006	1	NUT, FLANGE 6	6		
7		V430-002200	1	CABLE,BOWDEN	ACT050603B-001B		
8		C411-000030	1	LID,HANDLE			
9		V485-001030	1	LEAD	240MM LNG		
10		163400-03460	1	SWITCH, IGNITION			
11		V485-002310	1	LEAD			
12		C460-000120	1	LOCKOUT, THROTTLE			
13		C450-000330	1	CONTROL, THROTTLE			
14		V452-000390	1	SPRING,TORSION			
15		C410-000920	1	HANDLE,REAR	HC-155		
22		X505-002030	1	LABEL,CAUTION	37*35		
23		V490-001100	1	CLIP			

6. GEAR CASE, CUTTER



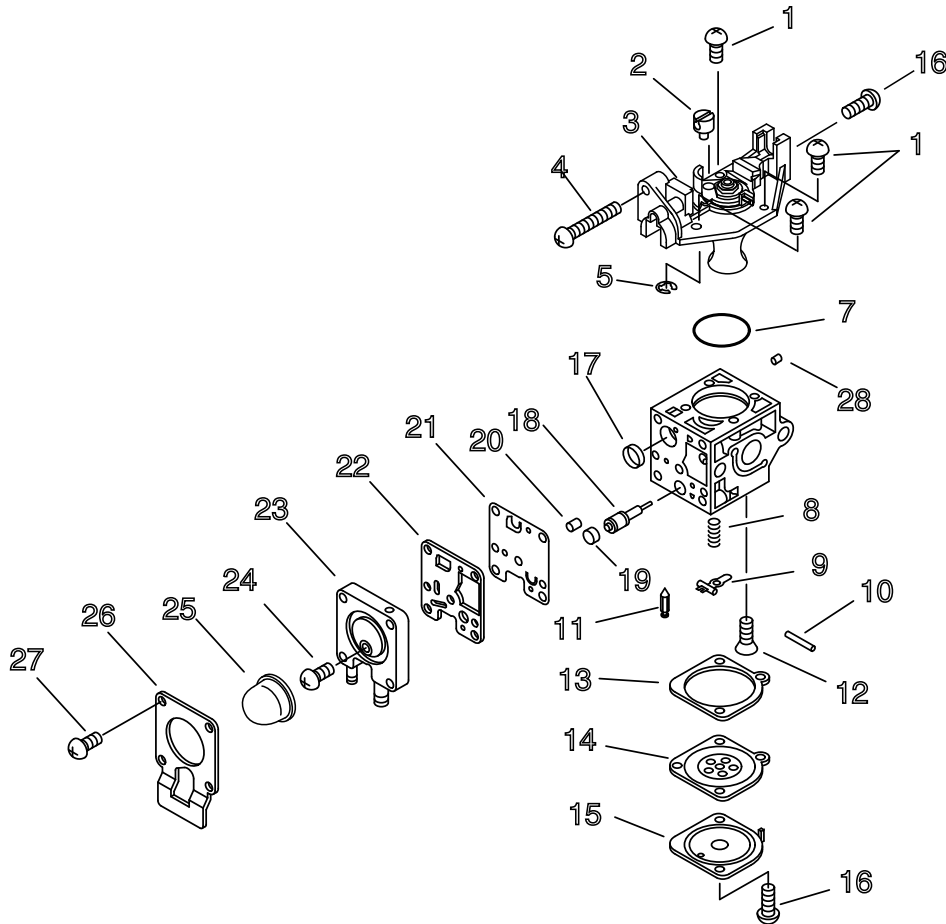
KEY	LV	PART NUMBER	Q'TY	DESCRIPTION	REMARKS	NOTE1	NOTE2
1		900162-05020	3	BOLT, H.S. 5*20	5*20 W,SW		
2		900162-04010	6	BOLT, H.S. 4*10	4*10 W,SW		
3		610411-05361	1	LID, GEARCASE			
4		610414-05360	1	GASKET, GEAR HOUSING			
5		610425-04560	1	SEAL			
6		900162-05040	1	BOLT, H.S. 5*40	5*40 W,SW		
7		900106-05020	6	BOLT, H.S. 5*20	5*20		
8		177214-21860	7	WASHER	5.2*16*1.6T		
9		V353-000250	7	COLLAR	9*7.45*5.3		
10		92108-05000	7	NUT, FLANGE			
11		X431-000050	1	BLUNT	L388		
12		C532-000120	2	ROD, CONNECTING			
13		X411-000760	2	CUTTER	755LNG T=2.5		
14		610312-04560	1	GEAR			
15		610350-04560	1	WASHER			
16		900212-05030	1	SCREW (5*30*P0.8)	+SF5*30		
17		900560-00005	1	NUT, LOCK 5	5		
18		351611-05360	1	WASHER			
19		C400-000531	1	HANDLE, FRONT			
20		900212-06025	2	SCREW 6*25	+SF6*25		
21		900500-00006	2	NUT 6	6		
22		610440-04560	1	HOLDER, FRAME			
23		X425-000490	1	SUPPORT,CUTTER	806LNG T3.2		
24		900701-00014	1	CIRCLIP 14	CS-14		
25		175005-04560	1	DRUM, CLUTCH			
26		900702-00035	1	CIRCLIP 35	CR-35		

6. GEAR CASE, CUTTER



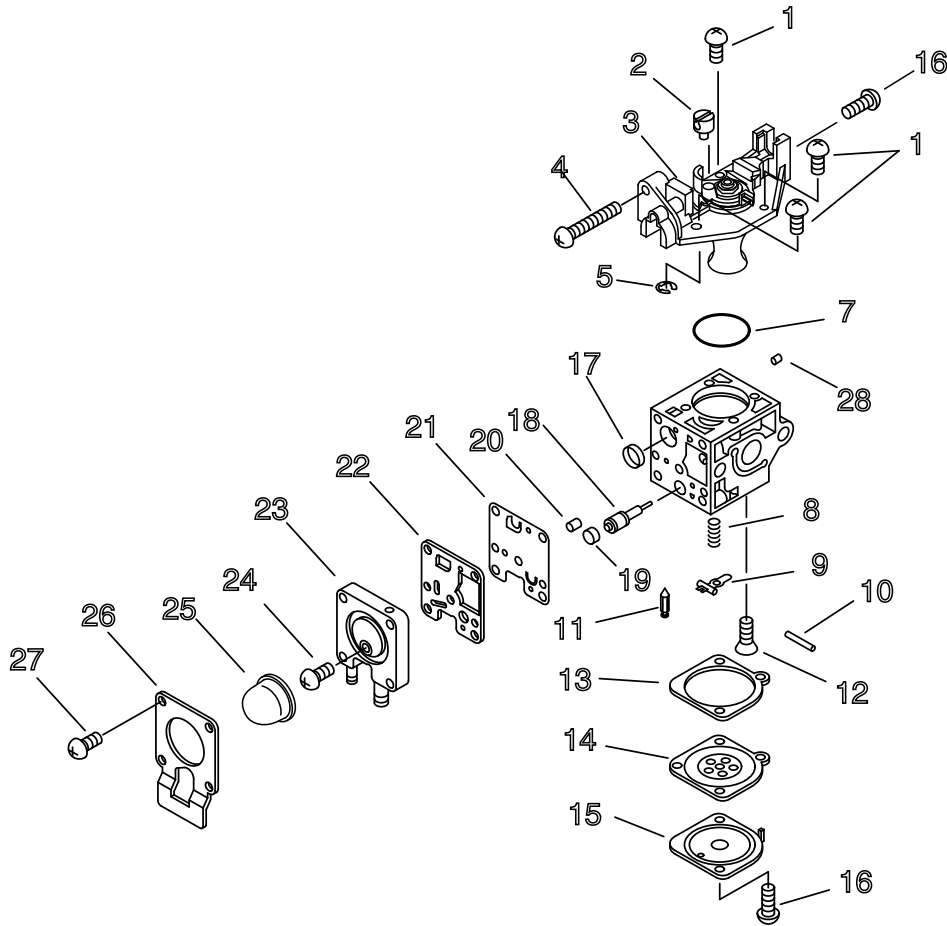
KEY	LV	PART NUMBER	Q'TY	DESCRIPTION	REMARKS	NOTE1	NOTE2
27		900813-36202	1	BEARING, BALL 6202	6202Z/C3		
28		900810-36202	1	BEARING, BALL 6202	6202/C3		
29		610410-05361	1	CASE, GEAR			
30		880110-10860	1	NIPPLE, GREASE			
31		X495-000181	1	SCABBARD, BLADE			
32		X698-000050	1	TOOL, CASE	140*260*0.06		
33		895410-03930	1	WRENCH, W/S. DRIVER			
34		E278-000210	1	PROTECTOR	2 HOLE (HC-155)		

7. CARBURETOR



KEY	LV	PART NUMBER	Q'TY	DESCRIPTION	REMARKS	NOTE1	NOTE2
		A021-001610	1	CARBURETOR,DIAPHRAGM	ZAMA RB-K		
1	+	125344-13931	3	SCREW			
2	+	P005-001240	1	POST			
3	+	P005-002050	1	COVER ASY, ROTOR			
4	+	P005-000100	1	SCREW,THROTTLEADJUST			
5	+	P005-000190	1	E-RING			
7	+	P005-000280	1	O-RING			
8	+	P005-000940	1	SPRING, METER. LEVER			
9	+	125323-08260	1	ARM, VALVE			
10	+	125338-13930	1	PIN, METERING ARM			
11	+	125337-08260	1	VALVE, INLET NEEDLE			
12	+	125339-42030	1	SCREW			
13	+	P005-000200	1	GASKET, METERING			
14	+	P005-001780	1	DIAPHRAGM			
15	+	125342-52130	1	COVER, DIAPHRAGM			
16	+	125344-52130	3	SCREW			
17	+	P005-000010	1	STRAINER			
18	+	P005-002060	1	NEEDLE,HIGH SPEED			
19	+	P005-001250	1	RETAINER,PLUG BALL			
20	+	P005-001270	1	PLUG, H AJUST SCREW			
21	+	P005-000510	1	DIAPHRAGM, PUMP			
22	+	P005-000520	1	GASKET, PUMP			
23	+	P005-001890	1	BASE, ASY PRIMER			
24	+	P005-000270	1	SCREW			
25	+	125381-46730	1	PUMP, PRIMING			
26	+	P005-000250	1	RETAINER			

7. CARBURETOR



KEY	LV	PART NUMBER	Q'TY	DESCRIPTION	REMARKS	NOTE1	NOTE2
27	+	P005-001900	4	SCREW			
28	+	P005-001000	1	ROLLER, GUIDE			

Index

Patrs Number	Key No.	Patrs Number	Key No.	Patrs Number	Key No.
100013-11520	1 - 12	900105-05055	3 - 1	A320-000430	3 - 10
100014-08960	1 - 9	900106-05020	6 - 7	A350-000590	4 - 18
100015-04630	1 - 11	900162-04010	6 - 2	A356-000030	4 - 17
100113-05930	1 - 10	900162-05020	6 - 1	A365-000060	4 - 5
100204-52133	1 - 1	900162-05022	1 - 16	A409-000210	2 - 22
100212-42031	1 - 2	900162-05025	3 - 15	A411-000130	2 - 25
100215-03930	1 - 6	900162-05028	1 - 3	A425-000000	2 - 27
100242-42030	1 - 5	900162-05040	6 - 6	A426-000010	2 - 28
125323-08260	7 - 9	900163-04016	2 - 36	A427-000013	2 - 29
125337-08260	7 - 11	900212-05030	6 - 16	A507-000030	2 - 8
125338-13930	7 - 10	900212-06025	6 - 20	A552-000080	2 - 34
125339-42030	7 - 12	900220-05045	5 - 1	A566-000000	2 - 32
125342-52130	7 - 15	900242-04010	3 - 6	A570-000160	2 - 35
125344-13931	7 - 1	900242-05065	3 - 23	C400-000531	6 - 19
125344-52130	7 - 16	900500-00006	6 - 21	C410-000920	5 - 15
125381-46730	7 - 25	900502-00006	5 - 5	C411-000030	5 - 8
129011-52730	3 - 22	900512-00008	2 - 21	C450-000330	5 - 13
130110-54430	4 - 13	900515-00006	5 - 6	C460-000120	5 - 12
131016-55830	4 - 6	900560-00005	5 - 3	C532-000120	6 - 12
131205-07320	4 - 7	900560-00005	6 - 17	E278-000210	6 - 34
132010-40830	4 - 14	900600-00005	3 - 2	P005-000010	7 - 17
132012-12361	4 - 8	900600-00005	5 - 2	P005-000100	7 - 4
132013-09820	4 - 11	900600-00008	2 - 20	P005-000190	7 - 5
132013-26630	4 - 9	900603-00005	4 - 2	P005-000200	7 - 13
132115-55930	4 - 12	900701-00014	6 - 24	P005-000250	7 - 26
145806-42030	3 - 3	900702-00035	6 - 26	P005-000270	7 - 24
145866-42031	3 - 4	900810-36202	6 - 28	P005-000280	7 - 7
163400-03460	5 - 10	900813-36202	6 - 27	P005-000510	7 - 21
175005-04560	6 - 25	91113-04020	2 - 24	P005-000520	7 - 22
175017-44331	2 - 33	91118-05016	1 - 21	P005-000940	7 - 8
177214-21860	6 - 8	91118-05020	4 - 1	P005-001000	7 - 28
177220-42030	2 - 5	91121-05016	1 - 18	P005-001240	7 - 2
177227-42030	2 - 10	91121-05016	3 - 12	P005-001250	7 - 19
177228-27030	2 - 12	92108-05000	6 - 10	P005-001270	7 - 20
177236-61830	2 - 9	94035-36201	1 - 4	P005-001780	7 - 14
177246-11120	2 - 13	A011-000223	1 - 7	P005-001890	7 - 23
351611-05360	6 - 18	A021-001610	3 - 17	P005-001900	7 - 27
437411-19830	4 - 16	A021-001610	7 -	P005-002050	7 - 3
610312-04560	6 - 14	A051-001110	2 - 4	P005-002060	7 - 18
610350-04560	6 - 15	A052-000210	2 - 17	P021-007772	1 - 8
610350-12360	2 - 30	A056-000190	2 - 31	P021-012210	4 - 4
610410-05361	6 - 29	A101-000090	1 - 13	P021-012870	3 - 21
610411-05361	6 - 3	A127-000170	1 - 19	P022-006830	2 - 6
610414-05360	6 - 4	A130-000550	1 - 15	P022-007980	2 - 19
610425-04560	6 - 5	A160-000880	1 - 17	P022-008260	2 - 11
610440-04560	6 - 22	A200-000300	3 - 14	P022-020030	2 - 18
880110-10860	6 - 30	A226-001410	3 - 24	V100-000160	1 - 14
890332-52730	3 - 26	A232-000400	3 - 25	V103-000180	3 - 13
895410-03930	6 - 33	A313-001710	3 - 5	V103-000410	3 - 16

Index

Patrs Number	Key No.	Patrs Number	Key No.	Patrs Number	Key No.
V104-000850	3 - 9				
V186-000020	4 - 10				
V202-000030	2 - 3				
V202-000090	2 - 2				
V299-000250	3 - 27				
V353-000250	6 - 9				
V430-002200	5 - 7				
V452-000150	2 - 7				
V452-000390	5 - 14				
V471-001880	4 - 15				
V475-001610	2 - 23				
V475-004150	5 - 4				
V485-000870	2 - 26				
V485-001030	5 - 9				
V485-002310	5 - 11				
V490-001100	5 - 23				
X411-000760	6 - 13				
X425-000490	6 - 23				
X431-000050	6 - 11				
X495-000181	6 - 31				
X502-000330	2 - 1				
X503-010860	2 - 16				
X505-002030	5 - 22				
X698-000050	6 - 32				

YAMABIKO CORPORATION

7-2 SUEHIROCHO 1-CHOME, OHME, TOKYO 198-8760, JAPAN
PHONE: 81-428-32-6118. FAX: 81-428-32-6145.



11Cb
No. 03-174