



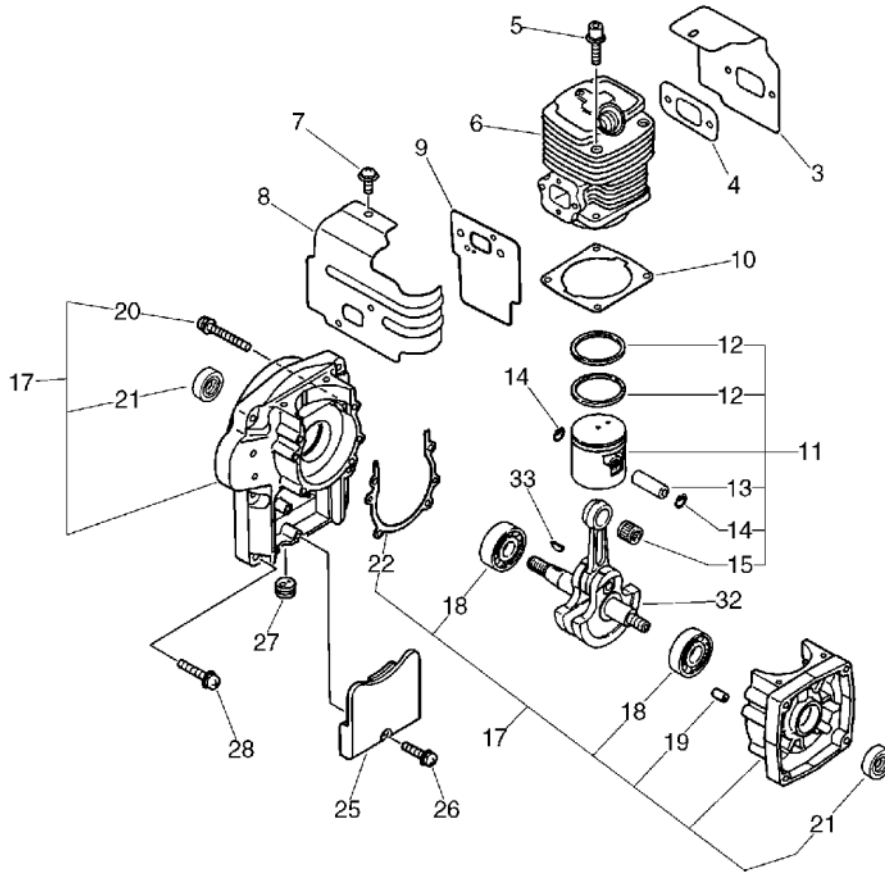
PARTS CATALOGUE

BACKPACK BLOWER PB-46LN(6digits)(36)

- **36004500**

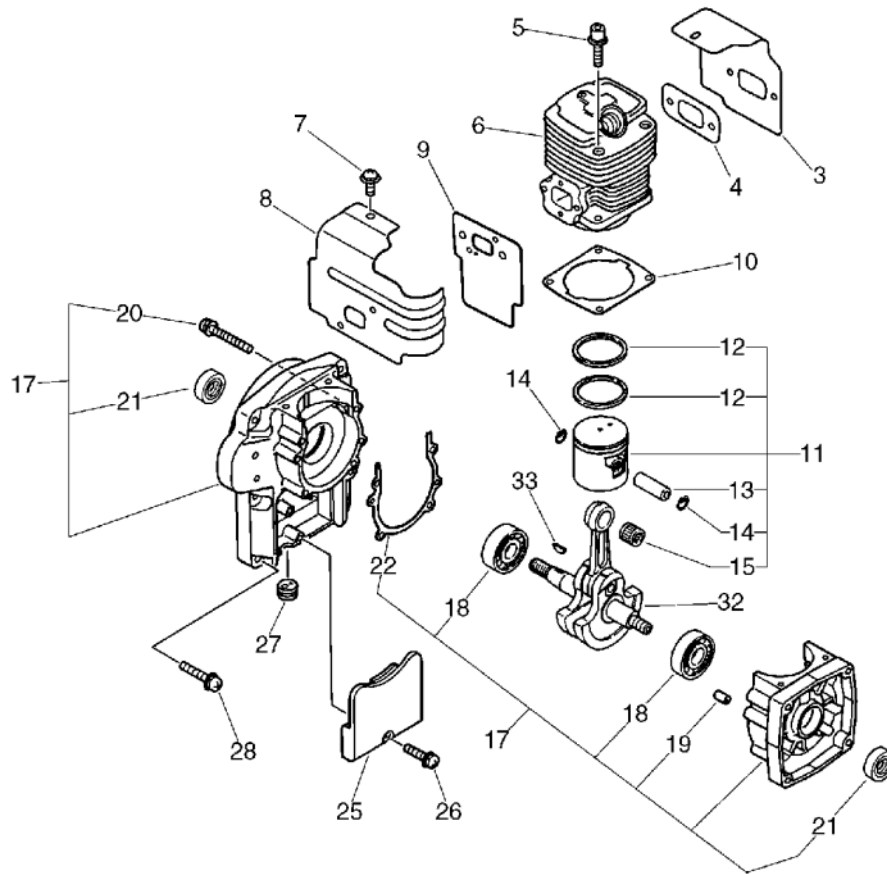
PB-46LN(6digits)(36)

1. Cylinder, Crankcase, Piston



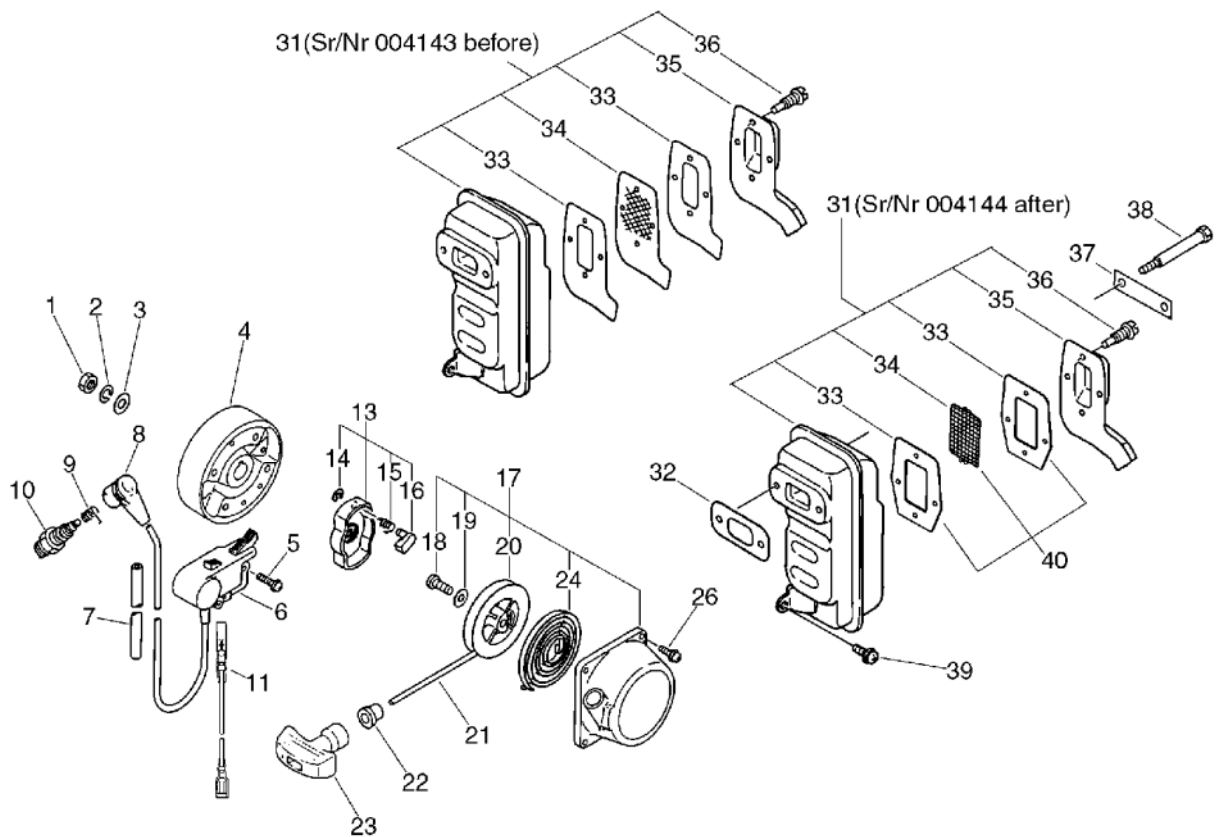
KEY	LV	PART NUMBER	Q'TY	DESCRIPTION	REMARKS	NOTE1	NOTE2
3		101514-21260	1	COVER, CYLINDER			
4		145510-06210	1	GASKET, MUFFLER		Sus. by 145510-06211	
4		145510-06211	1	GASKET, MUFFLER			
5		900162-05022	4	BOLT, H.S. 5*22	5*22 W,SW		
6		101011-08260	1	CYLINDER		Sus. by 101011-08261	
6		101011-08261	1	CYLINDER		Sr/Nr 007588 and before	
6		A130-000210	1	CYLINDER		Sr/Nr 007589 and after	
7		900238-05010	1	SCREW 5*10	5*10		
8		101514-08260	1	COVER, CYLINDER			
9		130016-06211	1	GASKET, INTAKE			
10		101010-10722	1	GASKET, CYL. BASE			
11		100000-03210	1	PISTON KIT		Sr/Nr 007588 and before	
11		P021-002540	1	PISTON KIT		Sr/Nr 007589 and after	
12	+	100011-10530	2	RING, PISTON			
13	+	100013-00410	1	PIN, PISTON	6*10*29.8		
14	+	100015-00120	2	CIRCLIP, PISTON PIN			
15	+	100012-12330	1	BEARING, NEEDLE		Sus. by 100012-12331	
15	+	100012-12331	1	BEARING, NEEDLE			
17		100204-08261	1	CRANKCASE KIT			

1. Cylinder, Crankcase, Piston



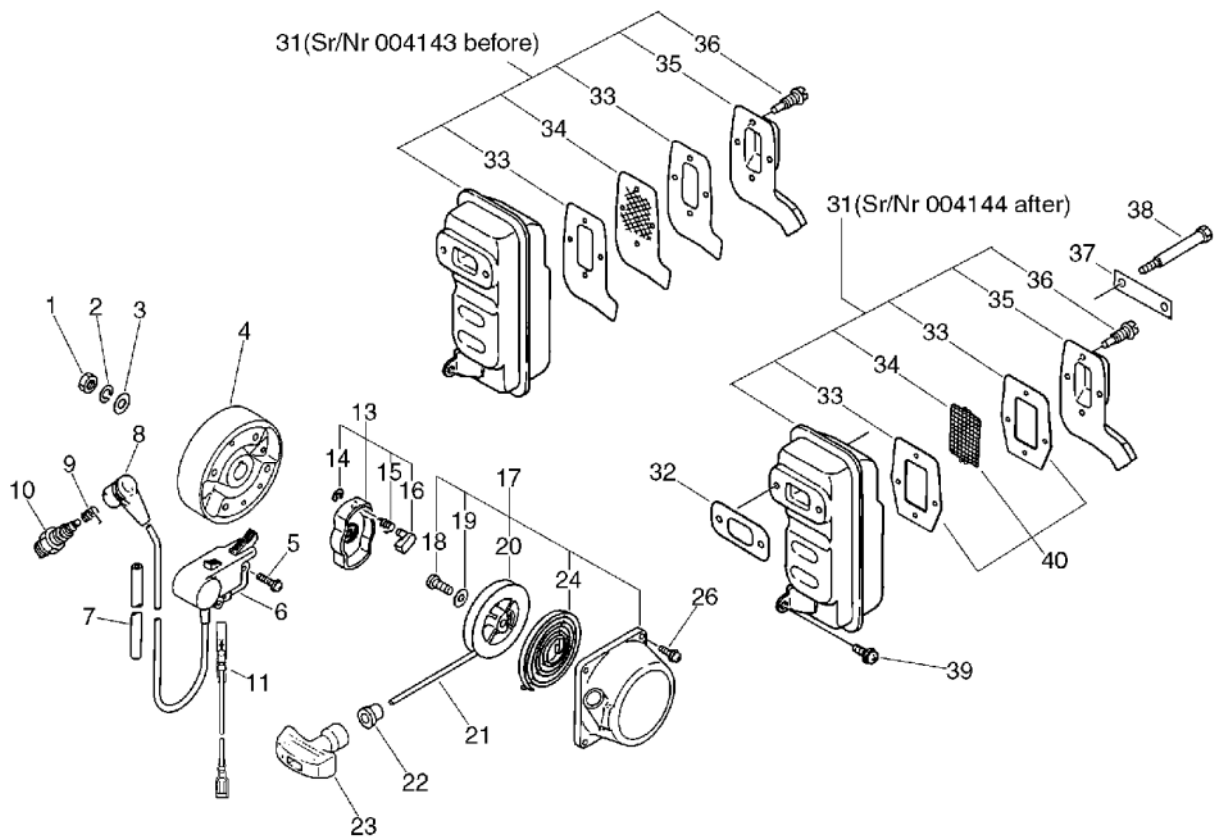
KEY	LV	PART NUMBER	Q'TY	DESCRIPTION	REMARKS	NOTE1	NOTE2
18	+	900810-36202	2	BEARING, BALL 6202	6202/C3		
19	+	100215-03930	2	PIN, DOWEL			
20	+	900162-05040	4	BOLT, H.S. 5*40	5*40 W,SW		
21	+	100213-00310	2	OILSEAL	ISCD 15 25 7		
22	+	100242-10721	1	GASKET, CRANKCASE			
25		159129-08260	1	COVER, DUST			
26		900238-05018	1	SCREW 5*18	5*18		
27		151112-04630	1	BUSHING			
28		900162-05032	6	BOLT, H.S. 5*32	5*32 W,SW		
32		100100-06210	1	CRANKSHAFT ASSY			
33		900323-03014	1	KEY WOODRUFF	3*14		

2. Starter, Magneto, Muffler



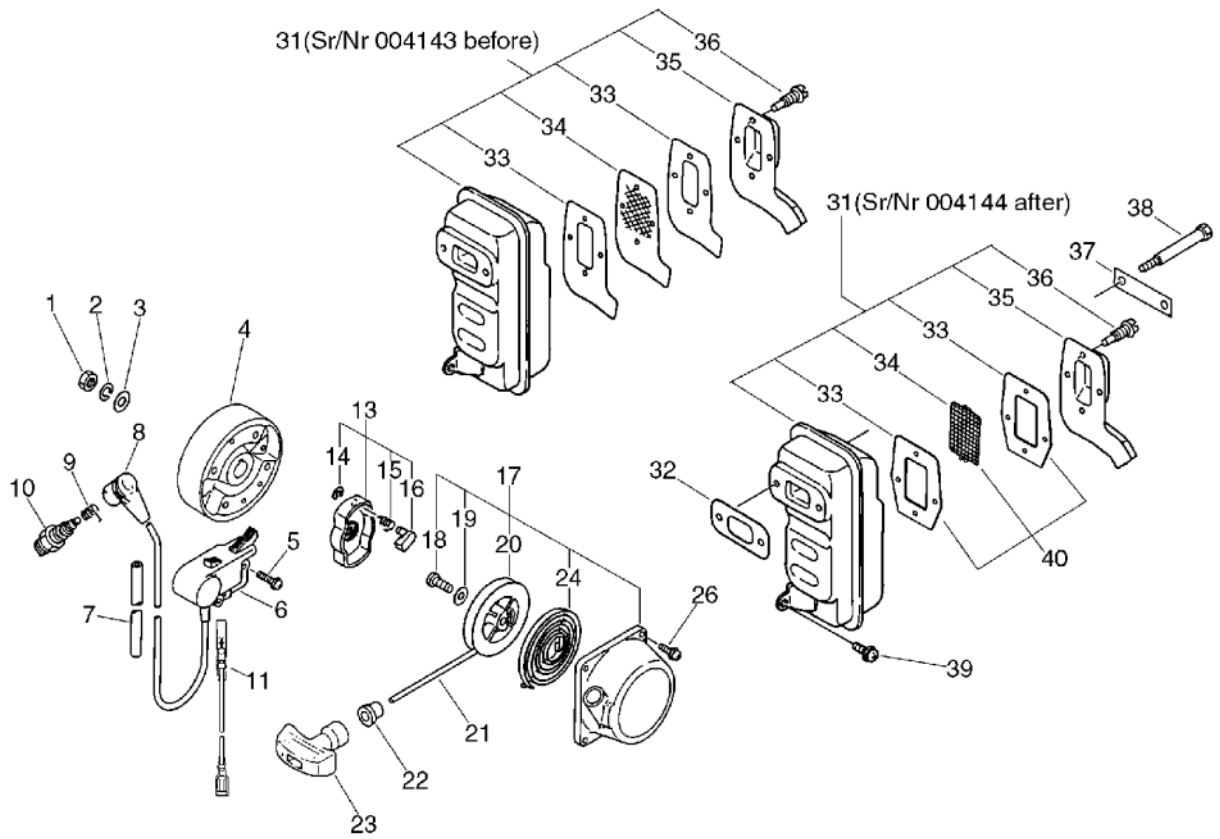
KEY	LV	PART NUMBER	Q'TY	DESCRIPTION	REMARKS	NOTE1	NOTE2
1		900501-00010	1	NUT 10*1.25	10*P1.25		
2		900605-00010	1	WASHER, SPRING 10	10		
3		900602-00010	1	WASHER 10(10.5*21*2)	10.5*21*2		
4		156800-06161	1	ROTOR, MAGNETO			
5		900238-05018	2	SCREW 5*18	5*18		
6		156601-09861	1	C.D.I. MODULE W/LEAD		Sus. by 156601-08360	
6		156601-08360	1	C.D. IGNITION MODULE			
11	+	162021-08260	1	LEAD	180L	Sus. by V485-000190	
11		V485-000190	1	LEAD			
7		156111-06160	1	TUBE 6.3*8*380	6.3*8*380		
8		159012-01620	1	CAP, SPARK PLUG			
9		159011-03432	1	COIL, SPARK PLUG			
10		159010-10230	1	PLUG, SPARK (BPMR-7A)	BPMR-7A		
13		177202-06210	1	PAWL ASSY, STARTER			
14	+	900700-00004	1	E-RING 4	CE-4		
15	+	177234-40630	1	SPRING, RETURN			
16	+	177218-40630	1	PAWL, STARTER	WHITE		
17		177200-21260	1	STARTER ASSY			
18	+	177236-40630	1	SCREW			
19	+	177214-40630	1	WASHER			
20	+	177215-11120	1	DRUM, STARTER			
21	+	177226-11120	1	ROPE, STARTER	3.8*1400		
22	+	177227-42030	1	GUIDE, ROPE			
23	+	177228-01110	1	GRIP, STARTER			

2. Starter, Magneto, Muffler



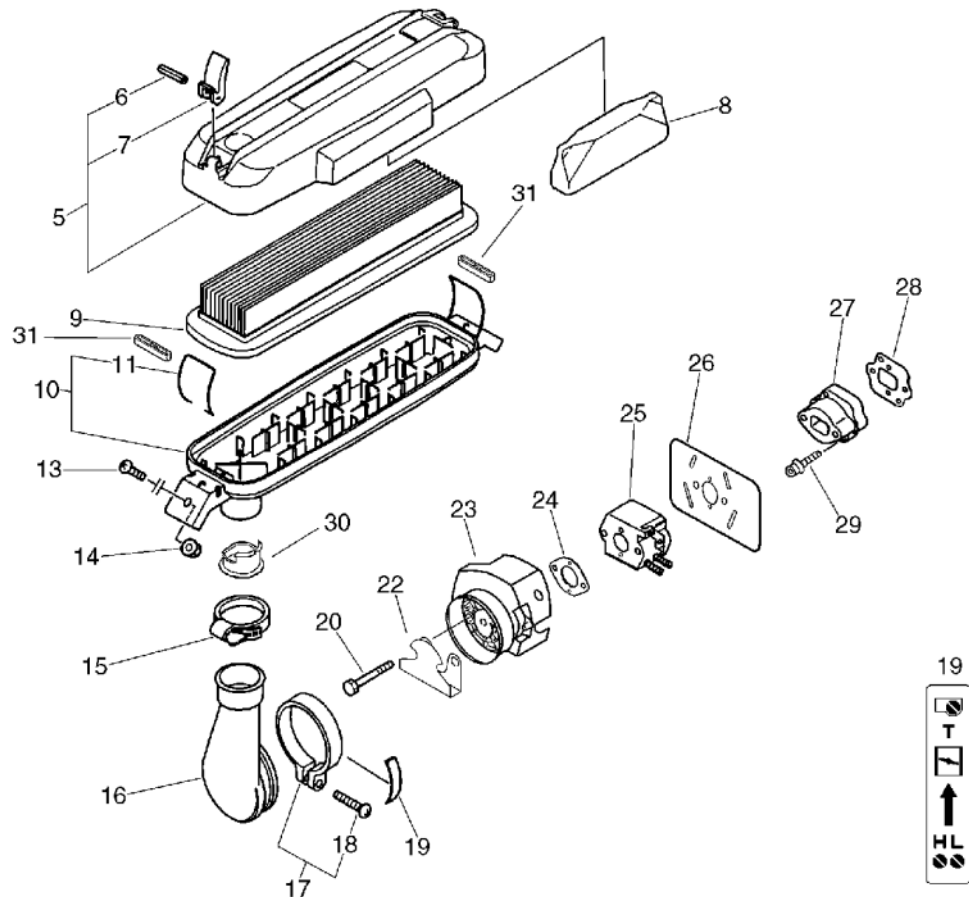
KEY	LV	PART NUMBER	Q'TY	DESCRIPTION	REMARKS	NOTE1	NOTE2
24	+	177220-11120	1	REWIND SPRING			
26		900162-04018	4	BOLT, H.S. 4*18	4*18 W,SW	Sus. by 900163-04018	
26		900163-04018	4	BOLT HSH			
31		145802-21260	1	MUFFLER ASSY		Sus. by 145800-21261	
31		145800-21261	1	MUFFLER ASSY			
33	+	145866-21060	2	GASKET, MUFFLER LID		Sr/Nr 004143 and before	
33	+	145866-21360	2	GASKET, SCREEN HOLDER		Sr/Nr 004144 and after	
34	+	145862-21060	1	SCREEN, MUFFLER		Sus. by 145862-21260	
34	+	145862-21260	1	SCREEN			
35	+	145809-21260	1	LID, MUFFLER		Sus. by 145809-21261	
35	+	145809-21261	1	LID, MUFFLER			
36	+	145888-21060	4	BOLT 4		Sus. by 900080-00400	
36	+	900080-00400	4	SCREW	4*0.7*10)		
32		145510-06210	1	GASKET, MUFFLER		Sus. by 145510-06211	
32		145510-06211	1	GASKET, MUFFLER			
37		145515-21060	1	PLATE, EYE		Sus. by 145515-21061	
37		145515-21061	1	PLATE, EYE			

2. Starter, Magneto, Muffler



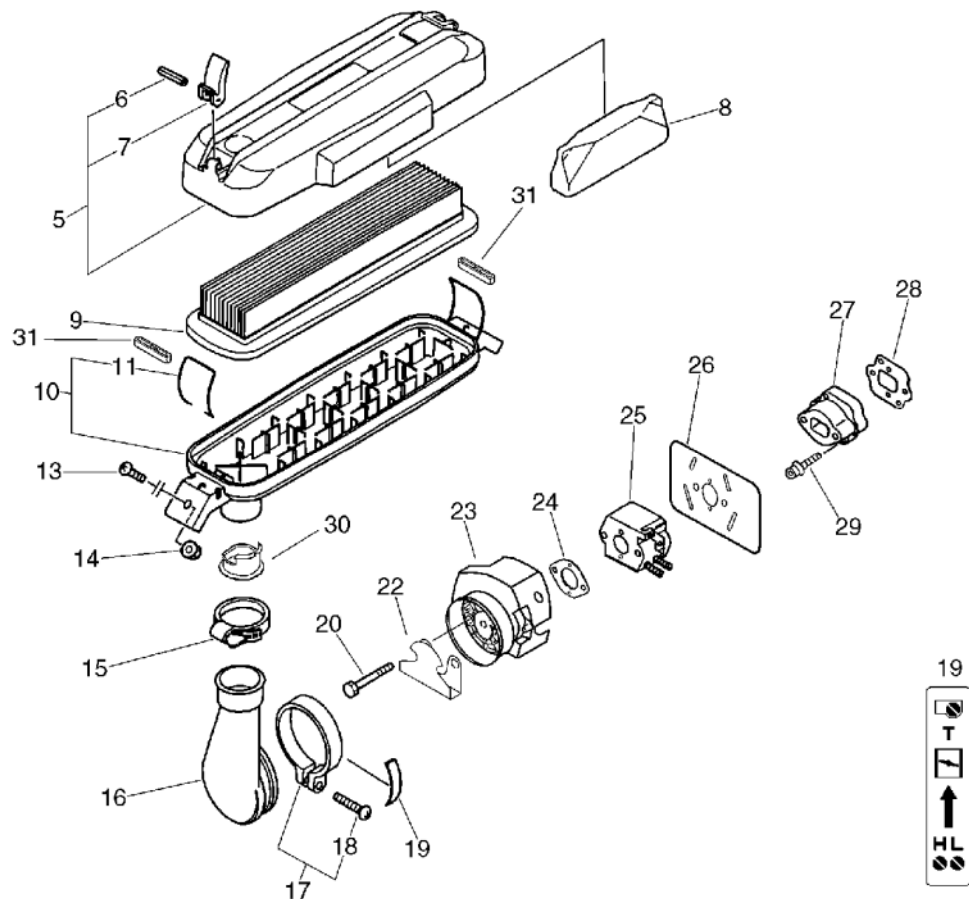
KEY	LV	PART NUMBER	Q'TY	DESCRIPTION	REMARKS	NOTE1	NOTE2
38		145887-21060	2	BOLT 6			
39		900162-05020	1	BOLT, H.S. 5*20	5*20 W,SW		
40		P021-000300	1	SCREEN/GASKET KIT			
33	+	145866-21360	2	GASKET,SCREEN HOLDER		Sr/Nr 004144 and after	
34	+	145862-21260	1	SCREEN			

3. Air Cleaner(Sr/Nr 36004200 and before)



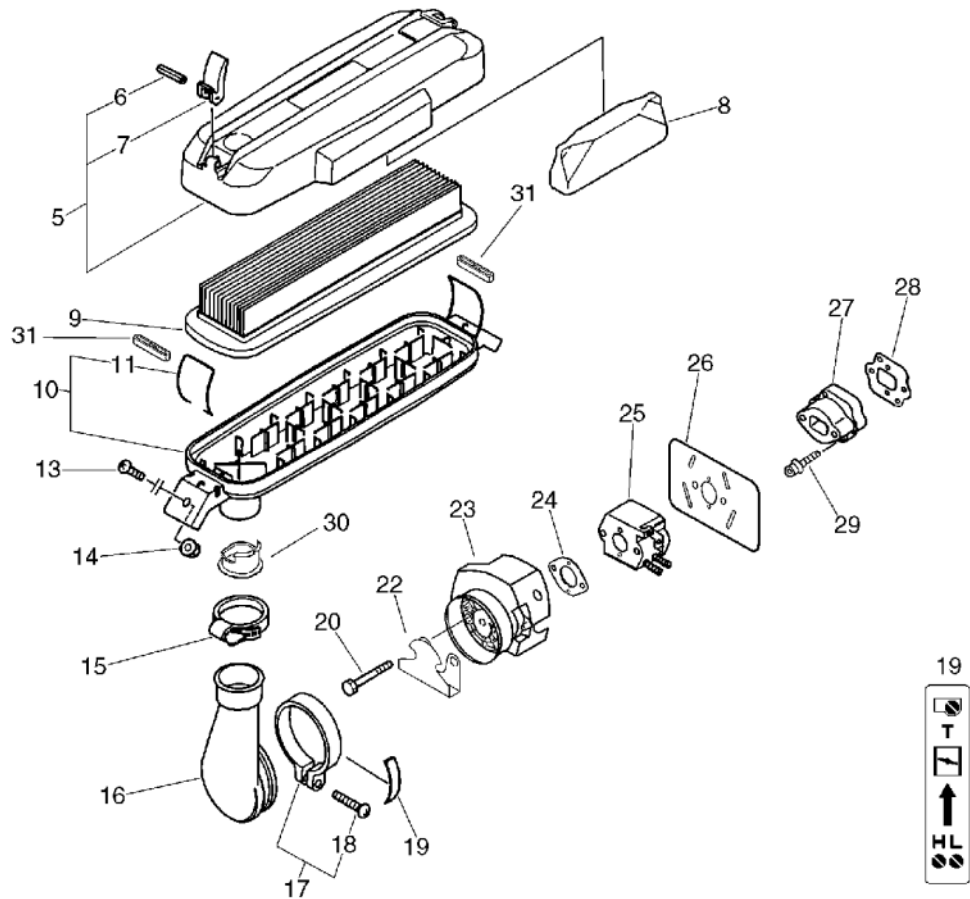
KEY	LV	PART NUMBER	Q'TY	DESCRIPTION	REMARKS	NOTE1	NOTE2
5		130308-08360	1	COVER, AIR CLEANER			
6	+	900345-30025	2	PIN, SPRING 3*25	3*25		
7	+	130341-08260	2	KNOB			
8		145637-21260	1	SILENSER			
9		130305-08360	1	FILTER, AIR		Sus. by 130305-08361	
9		130305-08361	1	FILTER, AIR			
10		130307-08360	1	CASE, AIR CLEANER			
11	+	131032-08360	2	CLIP			
13		900209-05014	2	SCREW, 5*14	5*14	Sus. by 91540-05014	
13		91540-05014	2	SCREW, TRUSS			
14		900516-00005	2	NUT, FRANGE 5	5		
15		130715-08260	1	BAND			
16		130711-08260	1	ADAPTER, INTAKE			
17		P021-043140	1	CLAMP W/SCREW			
18	+	900238-05025	1	SCREW 5*25	5*25		
19		890158-08260	1	LABEL, CHOKE		Sr/Nr 007788 and before	
19		890158-08261	1	LABEL, CHOKE		Sr/Nr 007789 and after	
20		900220-05050	2	SCREW 5*50	5*50	Sr/Nr 007788 and before	
20		900242-05057	2	SCREW 5*57	5*57	Sr/Nr 007789 and after	

3. Air Cleaner(Sr/Nr 36004200 and before)



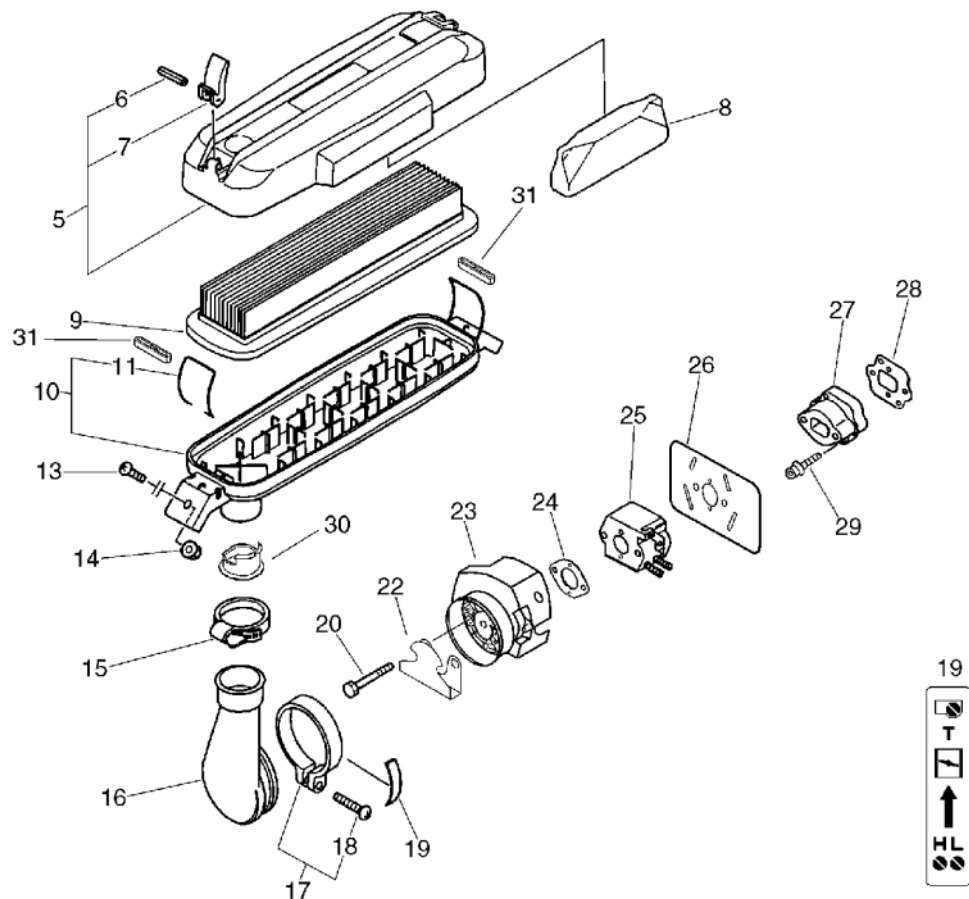
KEY	LV	PART NUMBER	Q'TY	DESCRIPTION	REMARKS	NOTE1	NOTE2
22		129011-08260	1	PLATE		Sus. by A244-000020	
22		A244-000020	1	PLATE,PREVENT			
23		130405-09860	1	BRACKET, AIR CLEANER		Sus. by 130405-09862	
23		130405-09861	1	BRACKET, AIR CLEANER		Sus. by 130405-09862	
23		130405-09862	1	BRACKET, AIR CLEANER		Sr/Nr 007788 and before	
23		A221-000000	1	FIXTURE,CLEANER		Sr/Nr 007789 and after	
24		130016-03731	1	GASKET, CARBURETOR			
25		125200-08560	1	CARBURETOR ASSY	C1M-K37B	Sus. by 125200-08564	
25		125200-08561	1	CARBURETOR	C1M-37B	Sus. by 125200-08564	
25		125200-08562	1	CARBURETOR	C1M-K37C	Sus. by 125200-08564	
25		125200-08563	1	CARBURETOR		Sus. by 125200-08564	
25		125200-08564	1	CARBURETOR	C1M-K37D		
26		130010-21260	1	GASKET, INTAKE		Sus. by 130010-21262	
26		130010-21261	1	GASKET, INTAKE		Sus. by 130010-21262	
26		130010-21262	1	GASKET, INTAKE			

3. Air Cleaner(Sr/Nr 36004200 and before)



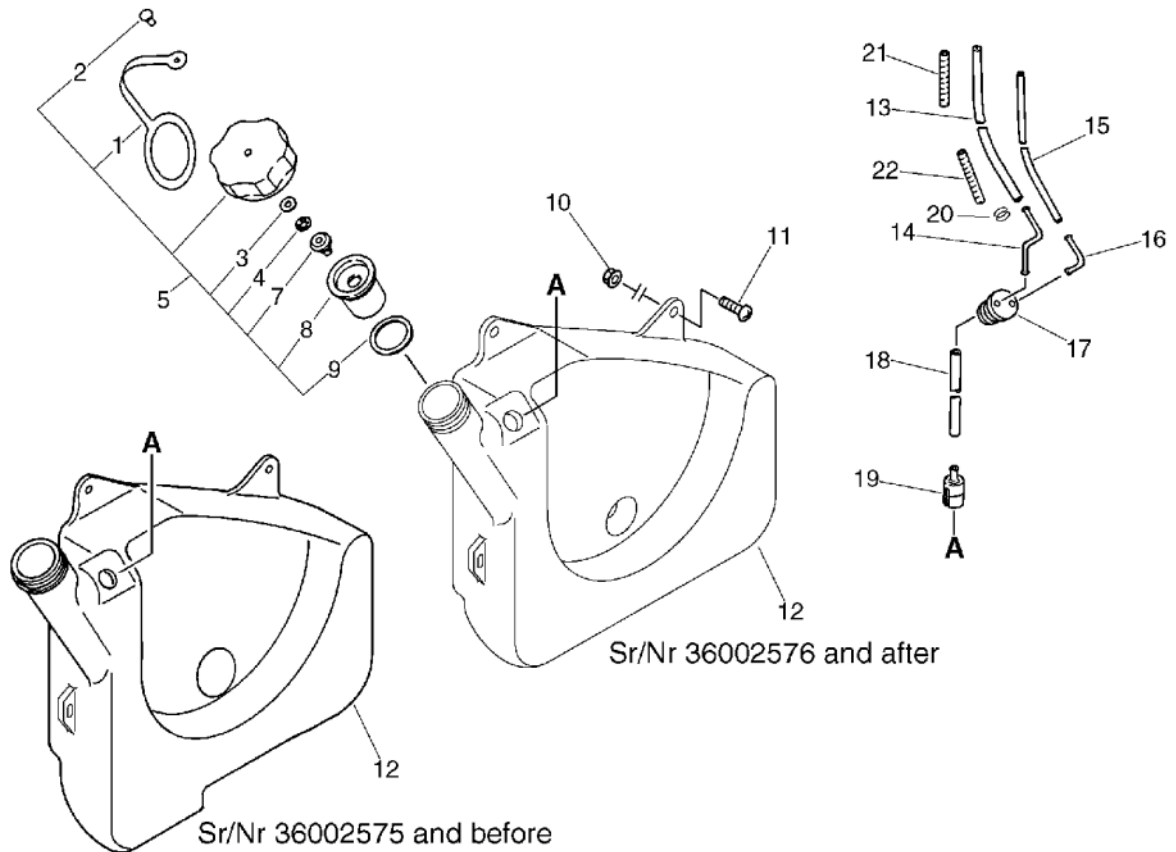
KEY	LV	PART NUMBER	Q'TY	DESCRIPTION	REMARKS	NOTE1	NOTE2
27		130007-08260	1	INSULATOR		Sus. by 130007-08261	
27		130007-08261	1	INSULATOR			
28		130010-10323	1	GASKET		Sus. by V103-000000	
28		V103-000000	1	GASKET,INTAKE			
29		900162-05025	2	BOLT, H.S. 5*25	5*25 W,SW		
30		178076-08360	1	COLLAR			

4. Air Cleaner(Sr/Nr 36004201 and after)



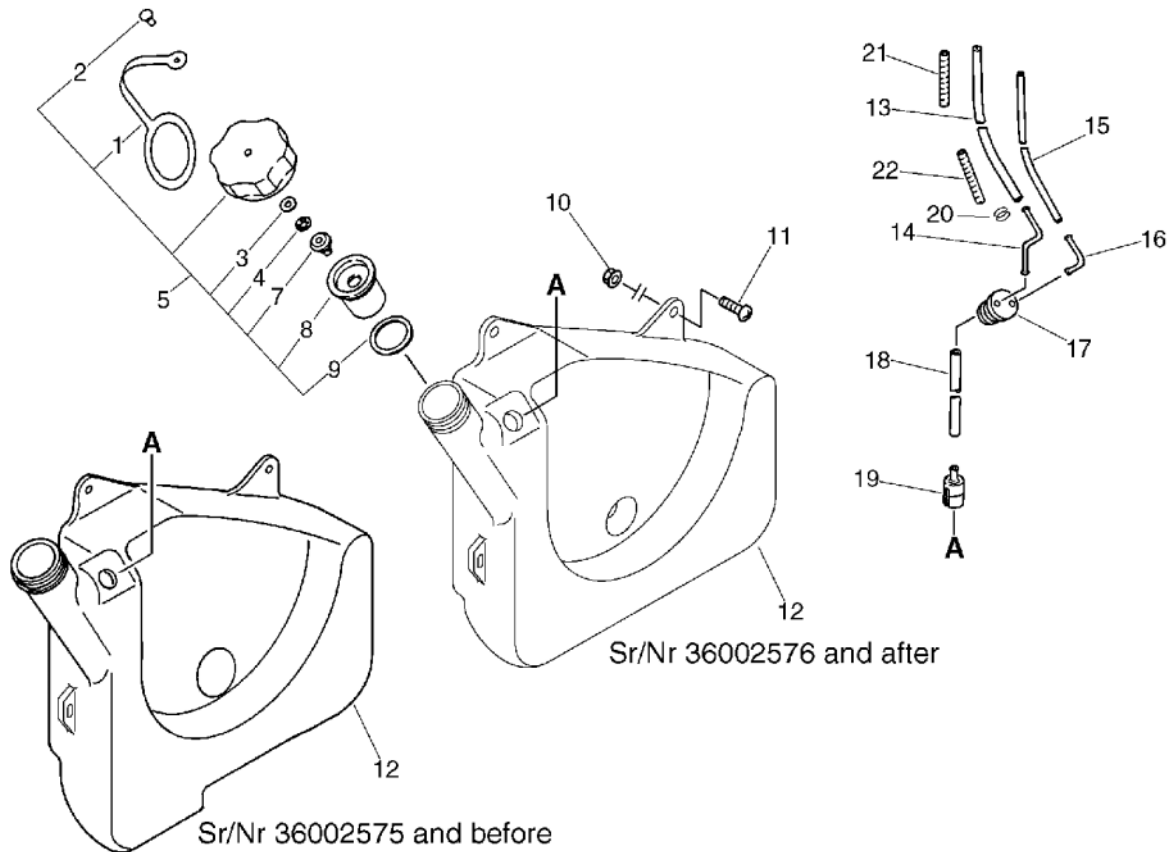
KEY	LV	PART NUMBER	Q'TY	DESCRIPTION	REMARKS	NOTE1	NOTE2
5		130308-08360	1	COVER, AIR CLEANER			
6	+	900345-30025	2	PIN, SPRING 3*25	3*25		
7	+	130341-08260	2	KNOB			
8		145637-21260	1	SILENSER			
9		130305-08361	1	FILTER, AIR			
10		130307-08360	1	CASE, AIR CLEANER			
11	+	131032-08360	2	CLIP			
13		91540-05014	2	SCREW, TRUSS			
14		900516-00005	2	NUT, FRANGE 5	5		
15		130715-08260	1	BAND			
16		130711-08260	1	ADAPTER, INTAKE			
17		P021-043140	1	CLAMP W/SCREW			
18	+	900238-05025	1	SCREW 5*25	5*25		
19		890158-08261	1	LABEL, CHOKE			
20		900242-05057	2	SCREW 5*57	5*57		
22		A244-000020	1	PLATE, PREVENT			
23		A221-000000	1	FIXTURE, CLEANER			
24		130016-03731	1	GASKET, CARBURETOR			
25		125200-08564	1	CARBURETOR	C1M-K37D		
26		130010-21262	1	GASKET, INTAKE			
27		130007-08261	1	INSULATOR			
28		V103-000000	1	GASKET, INTAKE			
29		900162-05025	2	BOLT, H.S. 5*25	5*25 W, SW		
30		178076-08360	1	COLLAR			
31		V491-000220	2	CLIP	AIR FILTER CLIP		

5. Fuel Tank



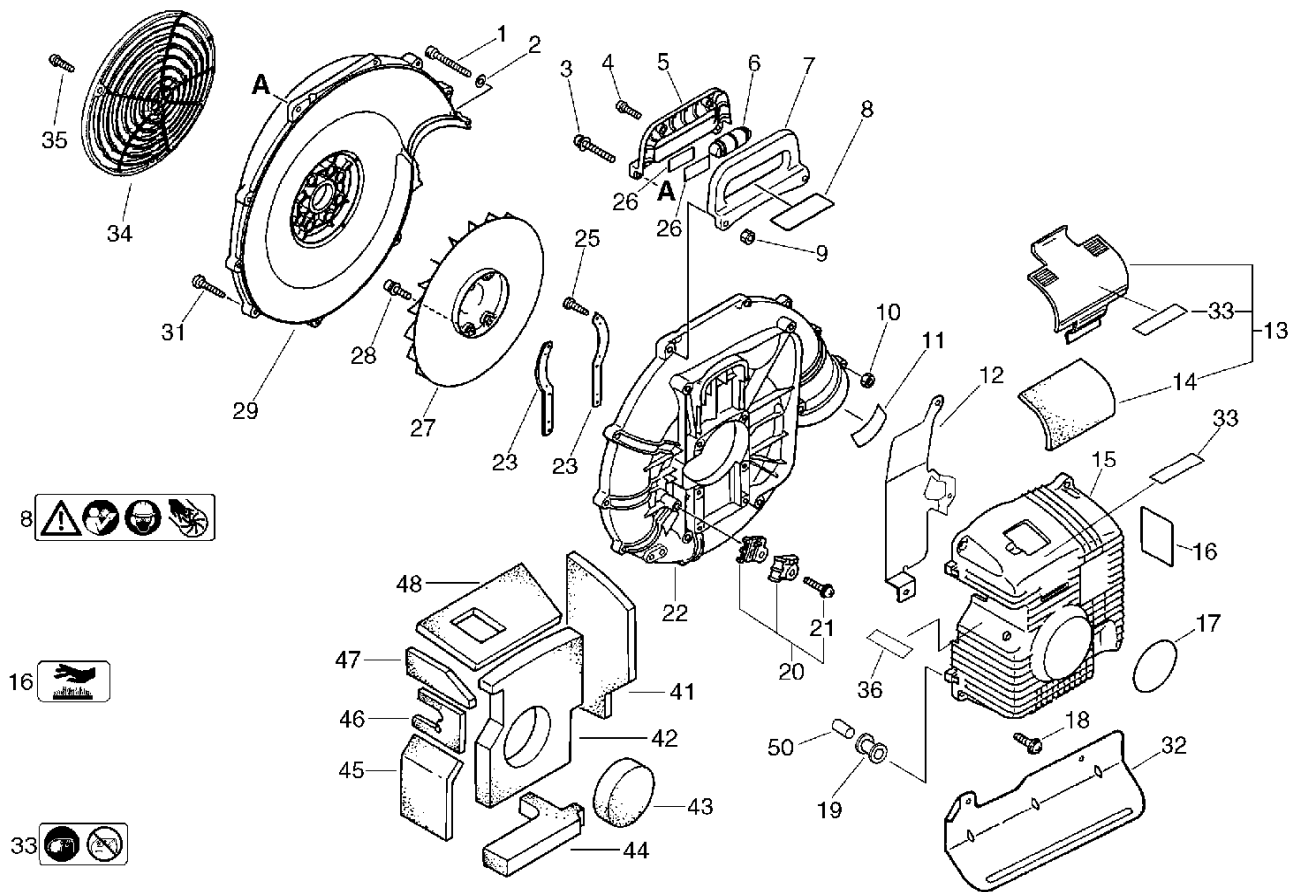
KEY	LV	PART NUMBER	Q'TY	DESCRIPTION	REMARKS	NOTE1	NOTE2
5		131600-09860	1	CAP ASSY, FUEL TANK		Sus. by 131600-09861	
5		131600-09861	1	CAP ASY, FUEL			
1	+	131051-27230	1	LINK			
2	+	900319-30060	1	RIVET 3*6	3*6	Sus. by 900319-30070	
2	+	900319-30070	1	RIVET 3*7	3*7		
3	+	900600-00003	1	WASHER 3	3		
4	+	131053-03060	1	NUT			
7	+	131314-06320	1	VALVE, CHECK			
8	+	131015-21330	1	HOLDER, CHECK VALVE		Sus. by A358-00000	
8	+	A358-00000	1	HOLDER,CHECK VALVE			
9	+	131016-21060	1	GASKET, FUEL CAP			
10		900516-00005	3	NUT, FRANGE 5	5		
11		900209-05020	3	SCREW, 5*20	5*20		
12		131010-08260	1	TANK, FUEL		Sus. by 131010-08265	
12		131010-08261	1	TANK, FUEL		Sus. by 131010-08265	
12		131010-08262	1	TANK, FUEL		Sus. by 131010-08265	
12		131010-08263	1	TANK, FUEL		Sus. by 131010-08265	
12		131010-08264	1	TANK, FUEL		Sus. by 131010-08265	

5. Fuel Tank



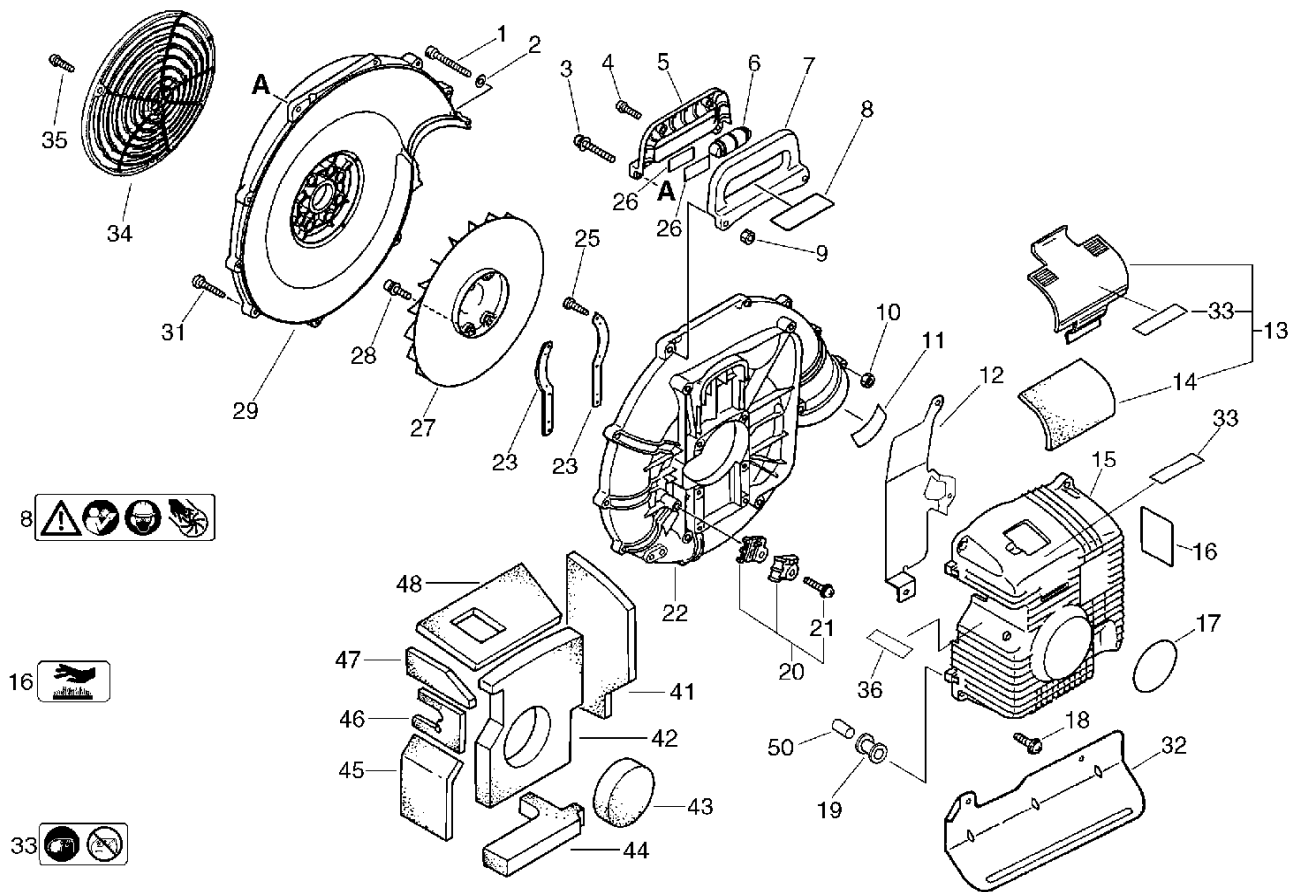
KEY	LV	PART NUMBER	Q'TY	DESCRIPTION	REMARKS	NOTE1	NOTE2
12		131010-08265	1	TANK, FUEL		Sr/Nr 36002575 and before	
12		131010-08266	1	TANK, FUEL		Sr/Nr 36002576 and after	
13		132010-08260	1	PIPE, FUEL	3*7*520 NBR		
14		132011-08260	1	CONNECTOR, FUEL PIPE			
15		132016-08260	1	PIPE, FUEL	2*4*480		
16		132021-08260	1	CONNECTOR, PIPE			
17		132115-02960	1	GROMMET			
18		132012-08261	1	PIPE 3*7*270	3*7*270 NBR	Sus. by V471- 000770	
18		V471-000770	1	PIPE			
19		131205-19830	1	STRAINER, FUEL		Sus. by 131205- 19831	
20		132013-26630	2	CLIP	6.5MM	Sr/Nr 36002135 and after	
21		132015-08260	1	COVER, PROTECTIVE			
22		178127-03460	1	TUBE			

6. Fan Case(Sr/Nr 36001100 and before)



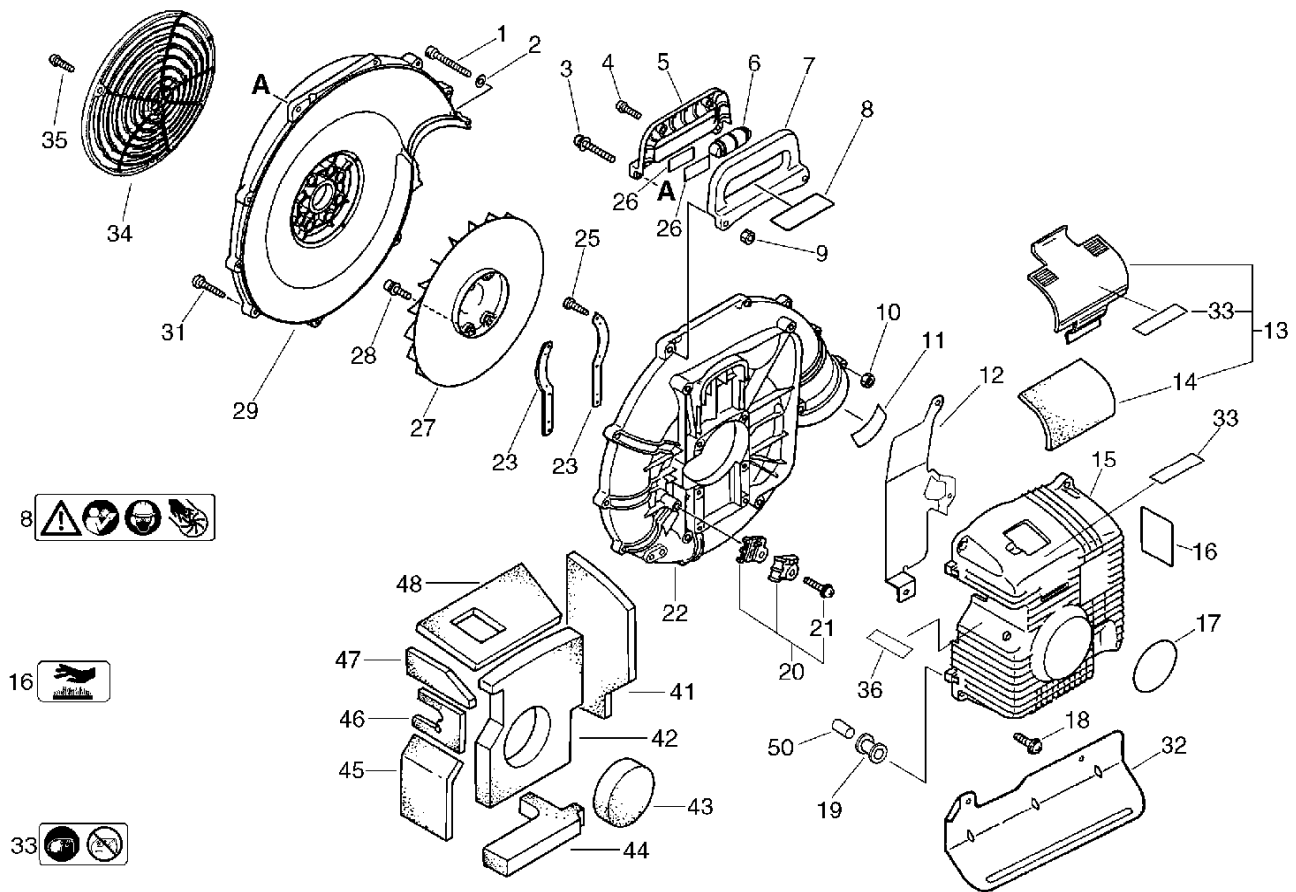
KEY	LV	PART NUMBER	Q'TY	DESCRIPTION	REMARKS	NOTE1	NOTE2
1		900105-05060	2	BOLT, H.S. 5*60	5*60		
2		900602-00005	2	WASHER 5	5.3*10*1	Sus. by 900600-00005	
2		900600-00005	2	WASHER 5	5		
3		900238-05045	2	SCREW 5*45	5*45		
4		900253-05016	2	SCREW	5*16		
5		351110-08260	1	HANDLE			
6		351337-08260	1	WEIGHT, HANDLE			
7		351010-08260	1	HANDLE			
8		890160-09460	1	LABEL, CAUTION		Sus. by 890160-09461	
8		890160-09461	1	LABEL, CAUTION			
9		900516-00005	2	NUT, FRANGE 5	5		
10		900516-00005	2	NUT, FRANGE 5	5		
11		890611-21260	1	LABEL, MODEL		Sus. by 890611-21261	
11		890611-21261	1	LABEL, MODEL		Sus. by 890611-21262	
12		145910-21260	1	INSULATOR, MUFFLER		Sr/Nr 009129 and before	
12		A322-000000	1	INSULATOR, MUFFLER		Sr/Nr 36001001 and after, Sus. by A322-000060	
13		159008-21261	1	COVER KIT			
14	+	880826-21260	1	PAD, FOAM	120*124*438		

6. Fan Case(Sr/Nr 36001100 and before)



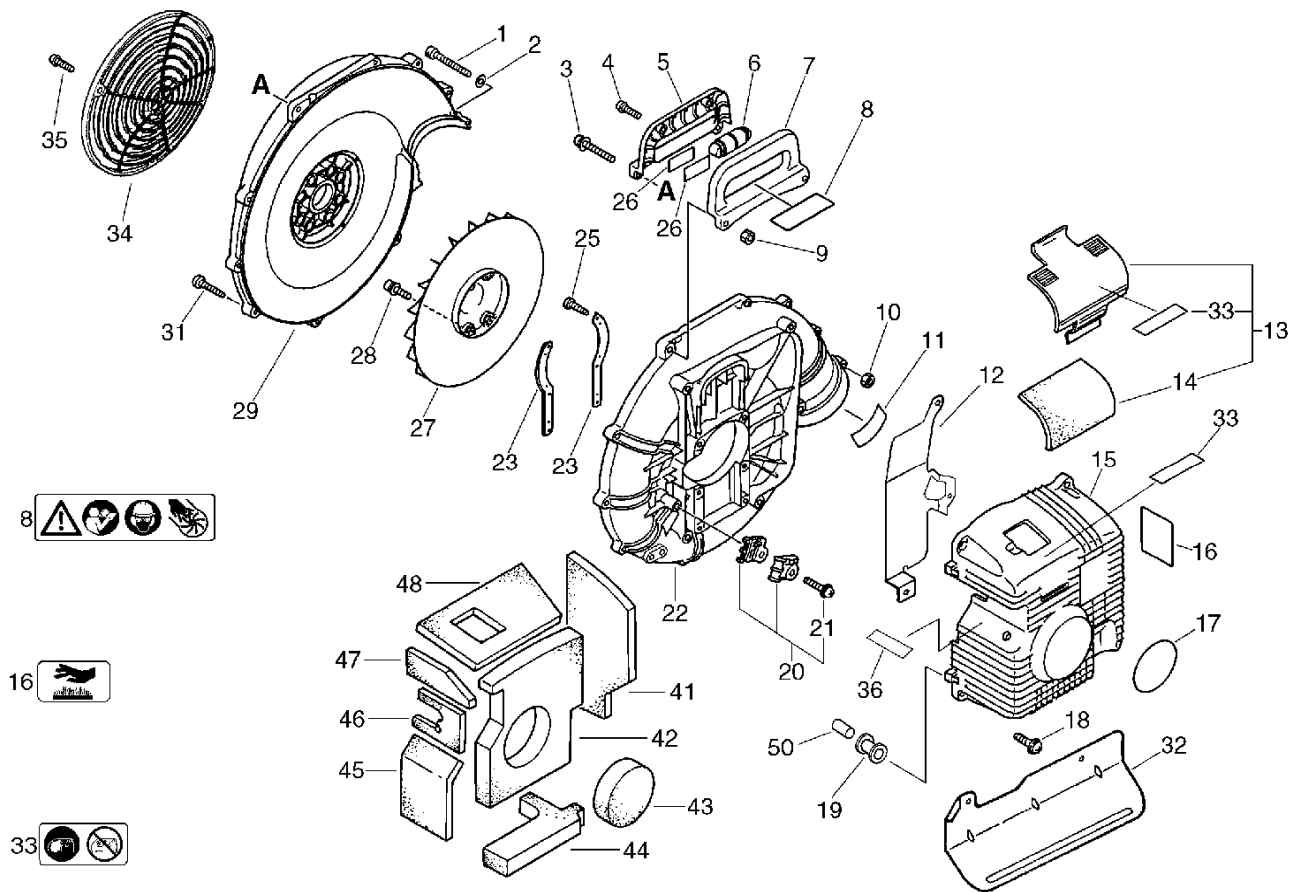
KEY	LV	PART NUMBER	Q'TY	DESCRIPTION	REMARKS	NOTE1	NOTE2
33	+	890160-21260	1	LABEL, CAUTION		Sus. by 890617-21260	
33	+	890617-21260	1	LABEL, CAUTION			
15		104003-21260	1	COVER KIT, ENGINE		Sus. by 104003-21263	
15		104003-21261	1	COVER KIT, ENGINE		Sus. by 104003-21263	
15		104003-21263	1	COVER KIT,ENGINE		Sus. by P021-013090	
16	+	890160-06360	1	LABEL, CAUTION		Sus. by 890160-06361	
16	+	890160-06361	1	LABEL, CAUTION		Sus. by X505-002310	
17	+	890118-21260	1	LABEL, ECHO		Sus. by X502-000230	
17	+	X502-000230	1	LABEL,ECHO		Sus. by X502-000500	
19	+	104910-21260	5	CUSHION		Sus. by 104910-09860	
19	+	104910-09860	5	CUSHION			
33	+	890160-21260	1	LABEL, CAUTION		Sus. by 890617-21260	
33	+	890617-21260	1	LABEL, CAUTION			
41	+	104292-21160	1	PAD, FOAM	236*118*12.7		
42	+	104295-21160	1	PAD, FOAM	169*191*25.4		
43	+	104293-21160	1	PAD, FOAM			

6. Fan Case(Sr/Nr 36001100 and before)



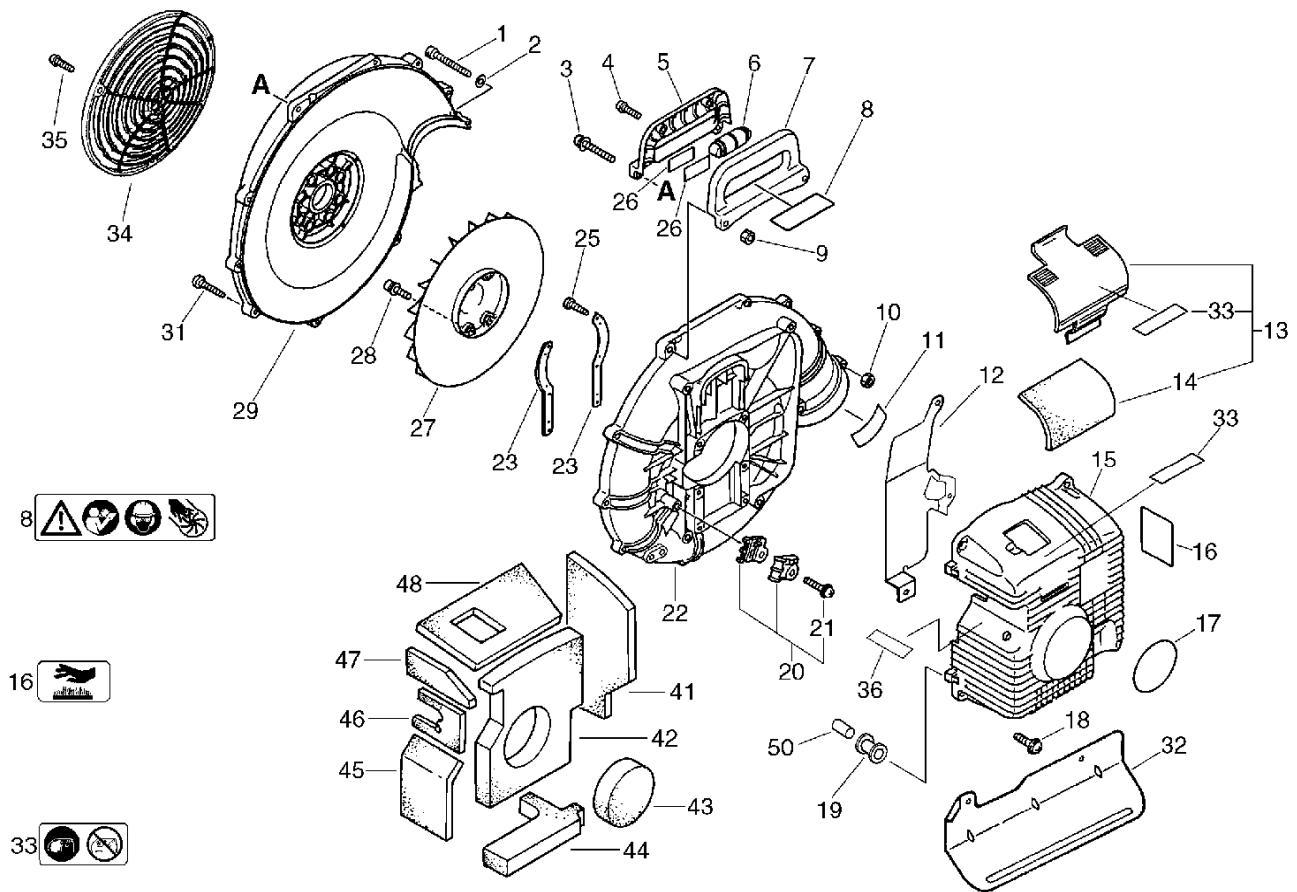
KEY	LV	PART NUMBER	Q'TY	DESCRIPTION	REMARKS	NOTE1	NOTE2
44	+	104293-21260	1	PAD, FOAM	156*90*25.4		
45	+	104292-21260	1	PAD, FOAM	85*125*12.7		
46	+	104294-21160	1	PAD, FOAM	65*90*4.8		
47	+	104294-21260	1	PAD, FOAM	37*118*12.7		
48	+	104295-21260	1	PAD, FOAM	192*118*12.7		
18		900239-05025	5	SCREW 5*25	5*25		
20		178101-08260	1	HOLDER KIT, CABLE			
21	+	900238-05025	1	SCREW 5*25	5*25		
22		200110-21261	1	CASE, FAN		Sus. by E103-000103	
22		E103-000100	1	CASE, FAN	EI#000616	Sus. by E103-000103	
22		E103-000101	1	CASE, FAN		Sus. by E103-000103	
22		E103-000102	1	CASE, FAN		Sus. by E103-000103	
22		E103-000103	1	CASE, FAN			
23		104913-08360	2	BRACKET, ENGINE			
25		900246-03012	4	SCREW 3*12	3*12		
26		351335-08260	2	CUSHION			
27		200010-09860	1	FAN			
28		900162-05020	4	BOLT, H.S. 5*20	5*20 W, SW		
29		200111-08260	1	CASE, FAN		Sus. by P021-000386	
37		P021-000380	1	CASE, FAN		Sus. by P021-000386	

6. Fan Case(Sr/Nr 36001100 and before)



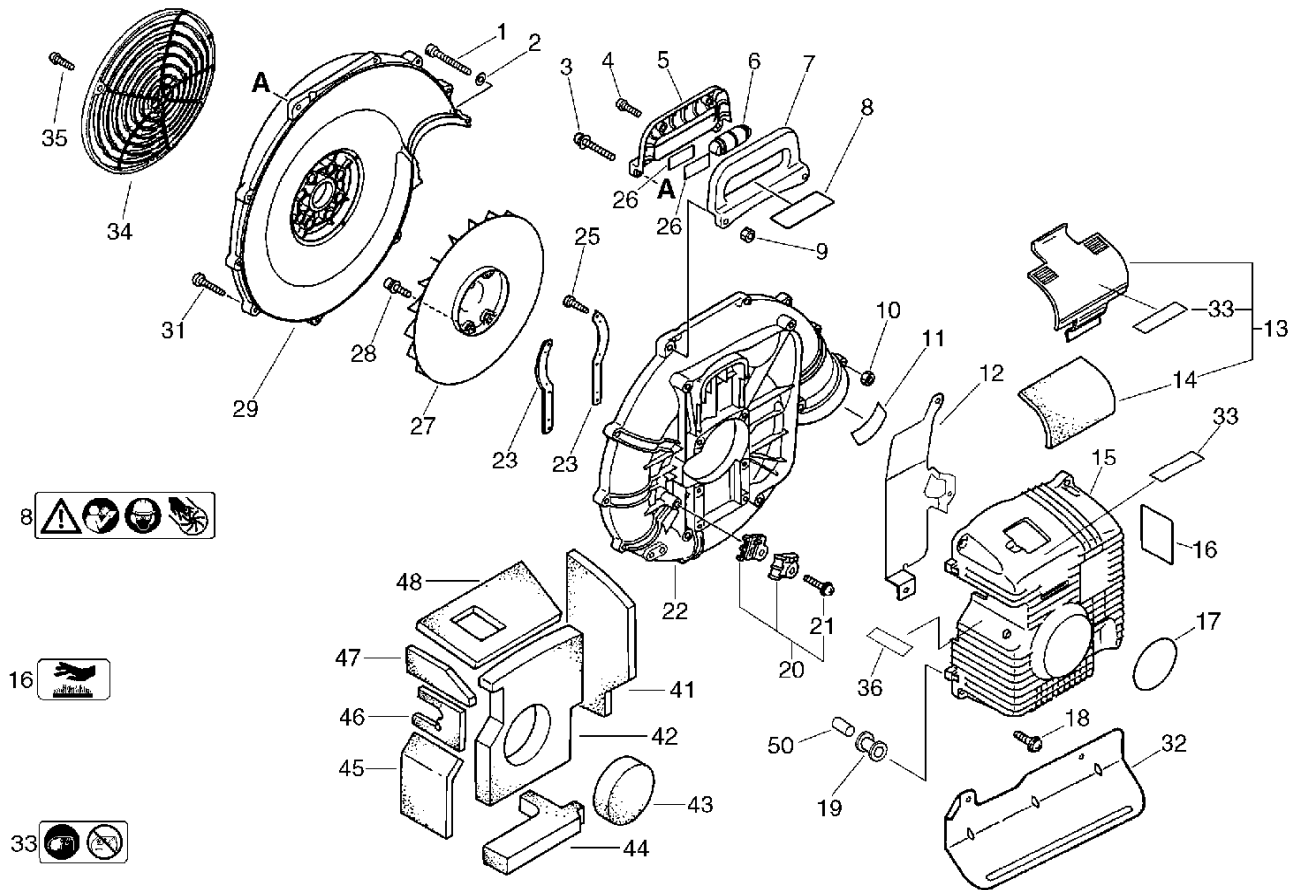
KEY	LV	PART NUMBER	Q'TY	DESCRIPTION	REMARKS	NOTE1	NOTE2
37		P021-000381	1	CASE,FAN		Sus. by P021-000386	
37		P021-000382	1	CASE,FAN		Sus. by P021-000386	
37		P021-000383	1	CASE,FAN		Sus. by P021-000386	
37		P021-000384	1	CASE,FAN		Sus. by P021-000386	
37		P021-000385	1	CASE, FAN		Sus. by P021-000386	
37		P021-000386	1	CASE,FAN		Sr/Nr 009129 and before	
29	+	200111-08261	1	CASE, FAN		Sus. by 200111-08265	
29	+	200111-08262	1	CASE, FAN		Sus. by 200111-08265	
29	+	200111-08263	1	CASE, FAN		Sus. by 200111-08265	
29	+	200111-08264	1	CASE, FAN		Sus. by 200111-08265	
29	+	200111-08265	1	CASE, FAN		Sr/Nr 004394 and after	
38	+	V401-000000	1	CUSHION,5		Sus. by V401-000002	
38	+	V401-000001	1	CUSHION,5		Sus. by V401-000002	

6. Fan Case(Sr/Nr 36001100 and before)



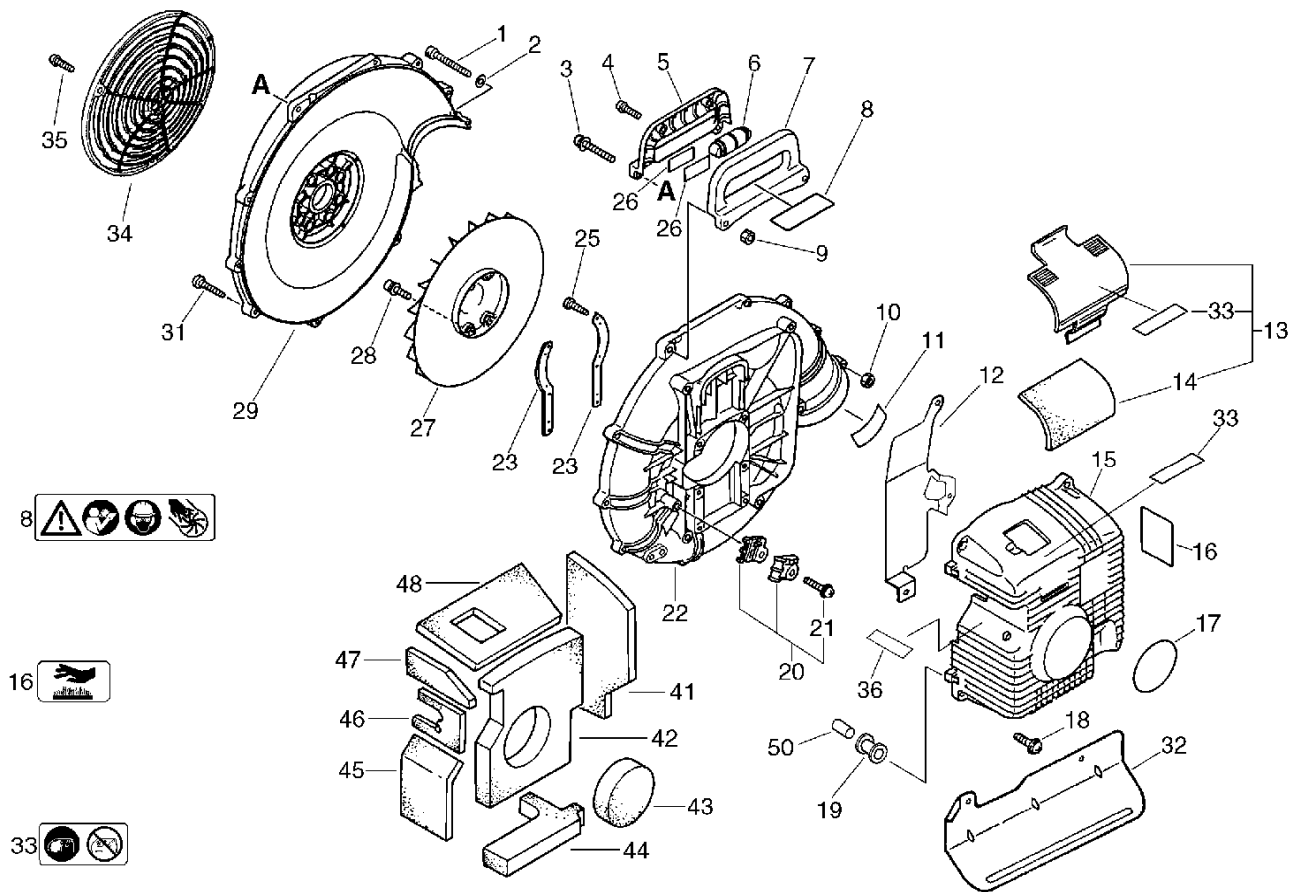
KEY	LV	PART NUMBER	Q'TY	DESCRIPTION	REMARKS	NOTE1	NOTE2
38	+	V401-000002	1	CUSHION,5		Sr/Nr 004394 to 009129	
39	+	900253-05016	2	SCREW	5*16	Sr/Nr 004394 to 009129	
30		159116-21231	1	CLAMP		Sr/Nr 009129 and before	
31		900253-05030	7	SCREW 5*30	5*30		
32		104085-21260	1	PLATE, VENT		Sr/Nr 009129 and before	
32		C606-000010	1	PLATE, VENT		Sr/Nr 36001001 and after	
34		200124-09860	1	GRID, FAN CASE			
35		890160-21260	3	LABEL, CAUTION			
36		890560-90660	1	LABEL, PRIMING			
50		104921-21260	5	SPACER	6.2*7.9*13.5L	Can be used on the 104910-09860	

7. Fan Case(Sr/Nr 36001101 and after)



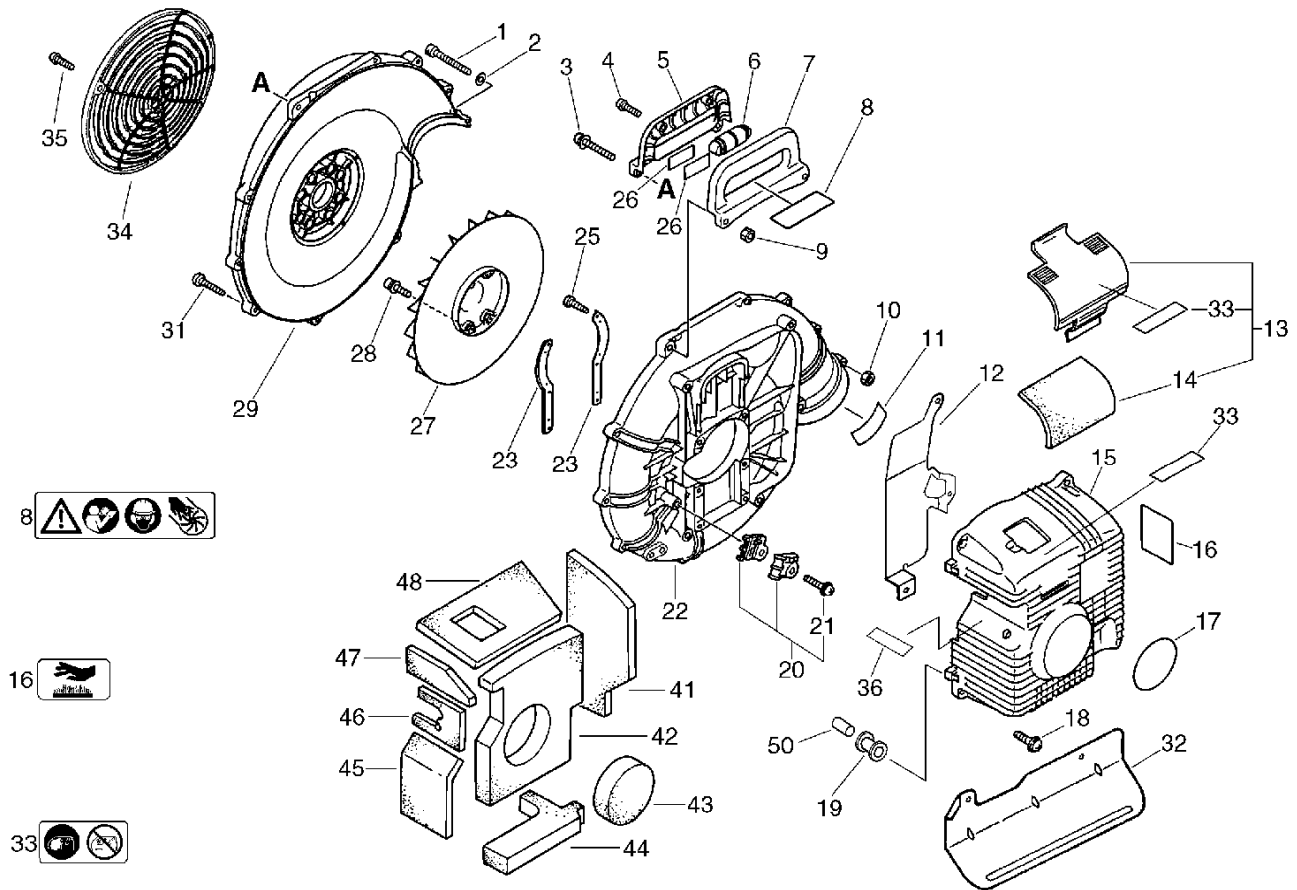
KEY	LV	PART NUMBER	Q'TY	DESCRIPTION	REMARKS	NOTE1	NOTE2
1		900105-05060	2	BOLT, H.S. 5*60	5*60		
2		900600-00005	2	WASHER 5	5		
3		900238-05045	2	SCREW 5*45	5*45		
4		900253-05016	2	SCREW	5*16		
5		351110-08260	1	HANDLE			
6		351337-08260	1	WEIGHT, HANDLE			
7		351010-08260	1	HANDLE			
8		890160-09461	1	LABEL, CAUTION			
9		900516-00005	2	NUT, FRANGE 5	5		
10		900516-00005	2	NUT, FRANGE 5	5		
11		890611-21262	1	LABEL, MODEL	PB-46LN EU		
12		145910-21260	1	INSULATOR, MUFFLER			
12		A322-000000	1	INSULATOR, MUFFLER			
13		159008-21261	1	COVER KIT			
14	+	880826-21260	1	PAD, FOAM	120*124*438		
33	+	890617-21260	1	LABEL, CAUTION			
15		104003-21263	1	COVER KIT, ENGINE		Sus. by P021-013090	
15		P021-013090	1	COVER, ENGINE			
16	+	890160-06361	1	LABEL, CAUTION		Sus. by X505-002310	
16	+	X505-002310	1	LABEL, CAUTION	HOT CAUTION		
17	+	X502-000500	1	LABEL, ECHO	ECHO 81		
19	+	104910-09860	1	CUSHION			
33	+	890617-21260	2	LABEL, CAUTION			
41	+	104292-21160	1	PAD, FOAM	236*118*12.7		

7. Fan Case(Sr/Nr 36001101 and after)



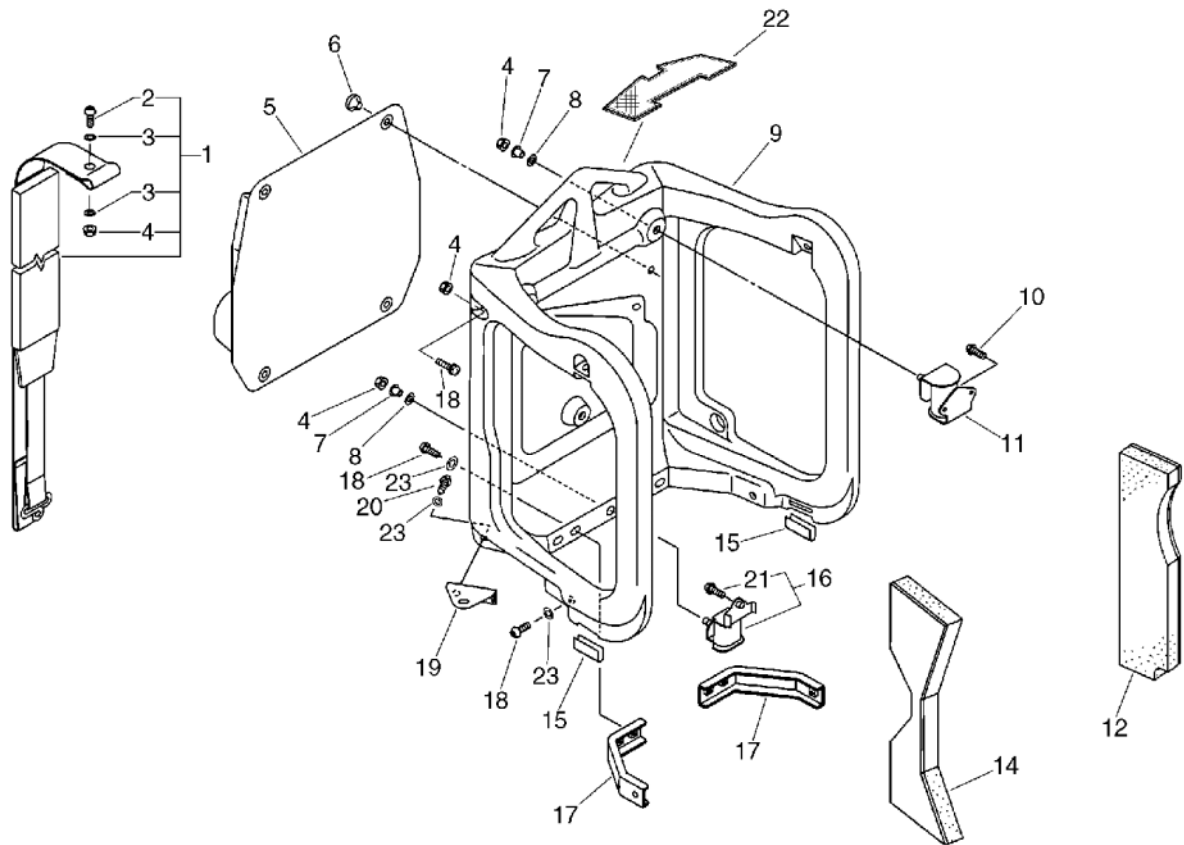
KEY	LV	PART NUMBER	Q'TY	DESCRIPTION	REMARKS	NOTE1	NOTE2
42	+	104295-21160	1	PAD, FOAM	169*191*25.4		
43	+	104293-21160	1	PAD, FOAM			
44	+	104293-21260	1	PAD, FOAM	156*90*25.4		
45	+	104292-21260	1	PAD, FOAM	85*125*12.7		
46	+	104294-21160	1	PAD, FOAM	65*90*4.8		
47	+	104294-21260	1	PAD, FOAM	37*118*12.7		
48	+	104295-21260	1	PAD, FOAM	192*118*12.7		
18		900239-05025	5	SCREW 5*25	5*25		
20		178101-08260	1	HOLDER KIT, CABLE			
21	+	900238-05025	1	SCREW 5*25	5*25		
22		E103-000103	1	CASE,FAN			
23		104913-08360	2	BRACKET, ENGINE			
25		900246-03012	4	SCREW 3*12	3*12		
26		351335-08260	2	CUSHION			
27		200010-09860	1	FAN			
28		900162-05020	4	BOLT, H.S. 5*20	5*20 W,SW		
37		P021-000380	1	CASE,FAN			
37		P021-000385	1	CASE, FAN			
37		P021-000386	1	CASE,FAN			
29	+	200111-08264	1	CASE, FAN		Sus. by 200111-08265	
29	+	200111-08265	1	CASE, FAN			
38	+	V401-000002	1	CUSHION,5			
39	+	900253-05016	2	SCREW	5*16		
30		159116-21231	1	CLAMP			
31		900253-05030	7	SCREW 5*30	5*30		

7. Fan Case(Sr/Nr 36001101 and after)



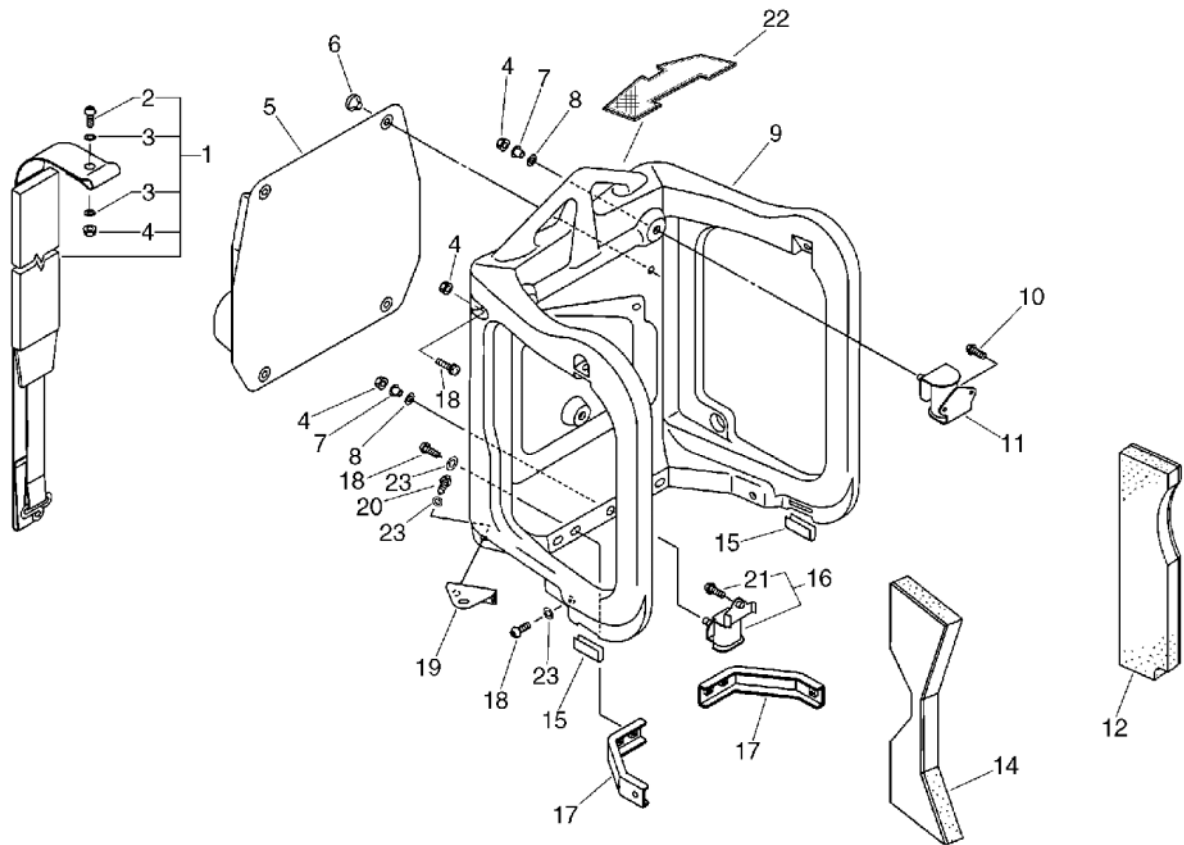
KEY	LV	PART NUMBER	Q'TY	DESCRIPTION	REMARKS	NOTE1	NOTE2
32		104085-21260	1	PLATE, VENT			
32		C606-000010	1	PLATE, VENT			
34		200124-09860	1	GRID, FAN CASE			
35		900253-05016	3	SCREW	5*16		
36		890560-90660	1	LABEL, PRIMING			
50		104921-21260	5	SPACER	6.2*7.9*13.5L		

8. Harness, Frame(Sr/Nr 009129 and before)



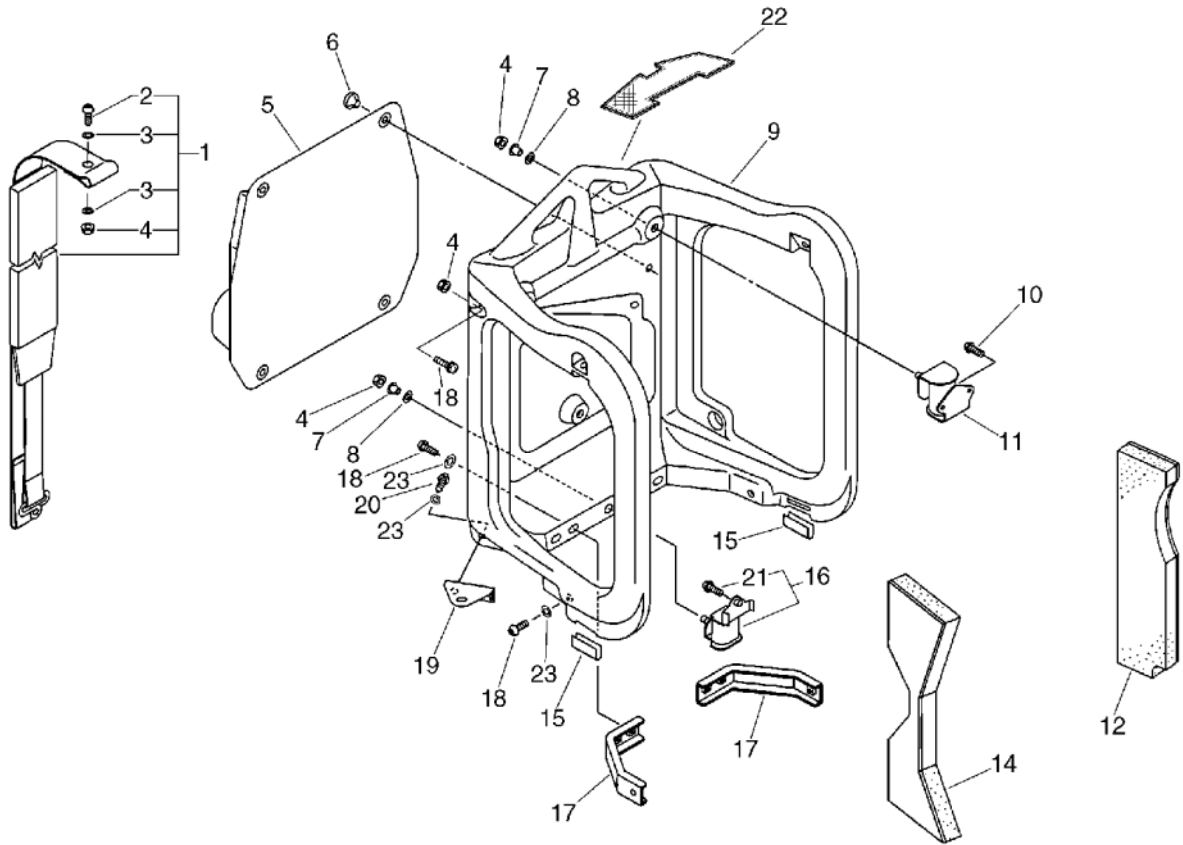
KEY	LV	PART NUMBER	Q'TY	DESCRIPTION	REMARKS	NOTE1	NOTE2
1		300300-08261	2	HARNESS, KNAPSACK		Sus. by P021-001761	
1		P021-001760	2	HARNESS, KNAPSACK		Sus. by P021-001761	
1		P021-001761	2	HARNESS, KNAPSACK		Sus. by C061-000111	
2	+	900209-05014	2	SCREW, 5*14	5*14	Sus. by 91540-05014	
2	+	91540-05014	2	SCREW, TRUSS			
3	+	300217-00610	4	WASHER			
4	+	900516-00005	2	NUT, FRANGE 5	5		
4		900516-00005	5	NUT, FRANGE 5	5		
5		300105-08260	1	CUSHION, KNAPSACK	BL	Sus. by 300105-08261	
5		300105-08261	1	CUSHION, KNAPSACK			
6		300333-06160	4	CLIP		Sus. by V491-000120	
6		V491-000120	4	CLIP			
7		104915-08260	3	SPACER			
8		131925-02310	3	CUSHION			
9		300010-08360	1	FRAME, BACKPACK		Sus. by 300010-08362	
9		300010-08361	1	FRAME, BACKPACK		Sus. by 300010-08362	
9		300010-08362	1	FRAME, BACKPACK			

8. Harness, Frame(Sr/Nr 009129 and before)



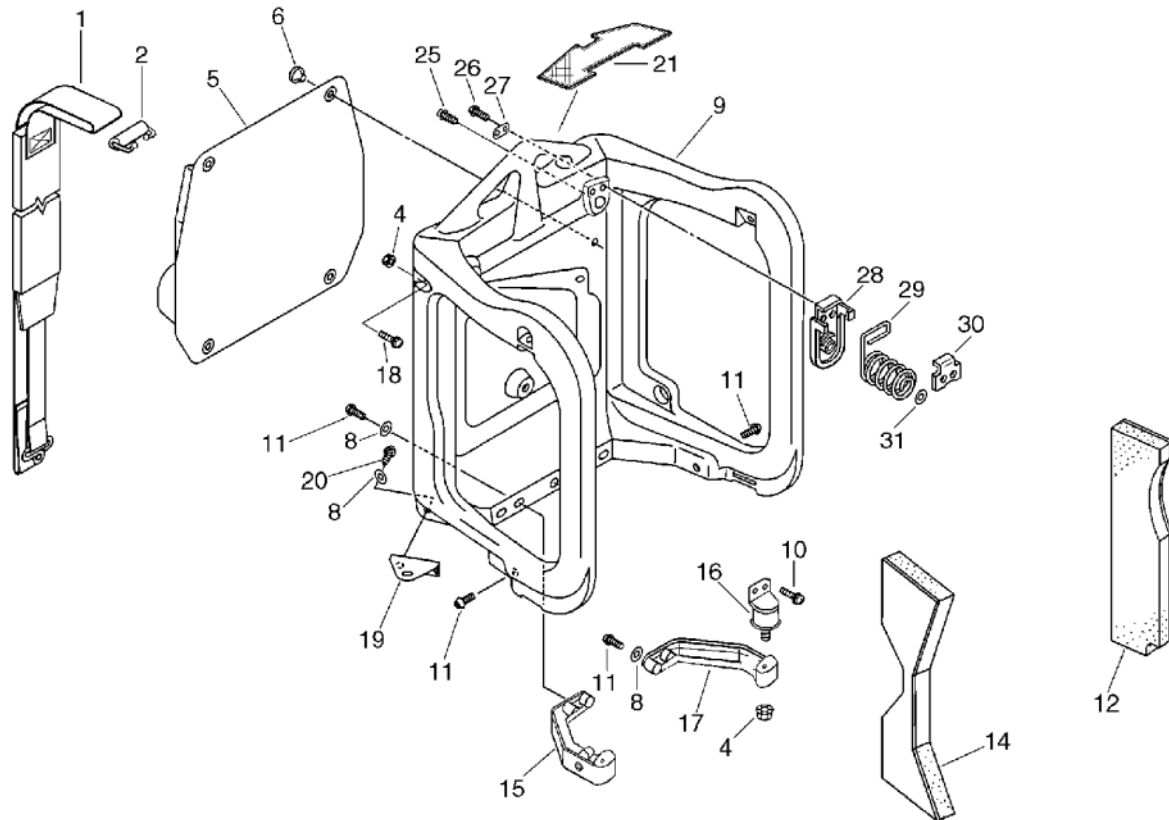
KEY	LV	PART NUMBER	Q'TY	DESCRIPTION	REMARKS	NOTE1	NOTE2
10		900253-05016	5	SCREW	5*16	Sus. by 900253-05016 QTY:5	
10		900253-05016	4	SCREW	5*16	QTY:4	
11		100905-08260	2	CUSHION		Sus. by 100905-08261	
11		100905-08261	2	CUSHION			
12		701161-21260	1	PANEL (R)			
14		701160-21260	1	PANEL (L)			
15		300032-08360	2	BUMPER			
16		100907-08260	1	CUSHION		Sus. by P021-000251	
16		P021-000250	1	CUSHION W/SCREW		Sus. by P021-000251	
16		P021-000251	1	CUSHION W/SCREW		Sr/Nr 004393 and before	
21	+	900220-06022	1	SCREW 6*22	6*22	Sus. by 91371-06020	
21	+	91371-06020	1	SCREW TAPPING	6*20		
17		300012-08260	2	CONNECTOR, FRAME			
18		900209-05014	8	SCREW, 5*14	5*14		
19		300614-08260	2	BRACKET, HANGER			
20		900209-05020	4	SCREW, 5*20	5*20		
22		302914-21060	1	COVER, DUST		Sus. by A127-000080	
22		A127-000080	1	COVER,DUST			

8. Harness, Frame(Sr/Nr 009129 and before)



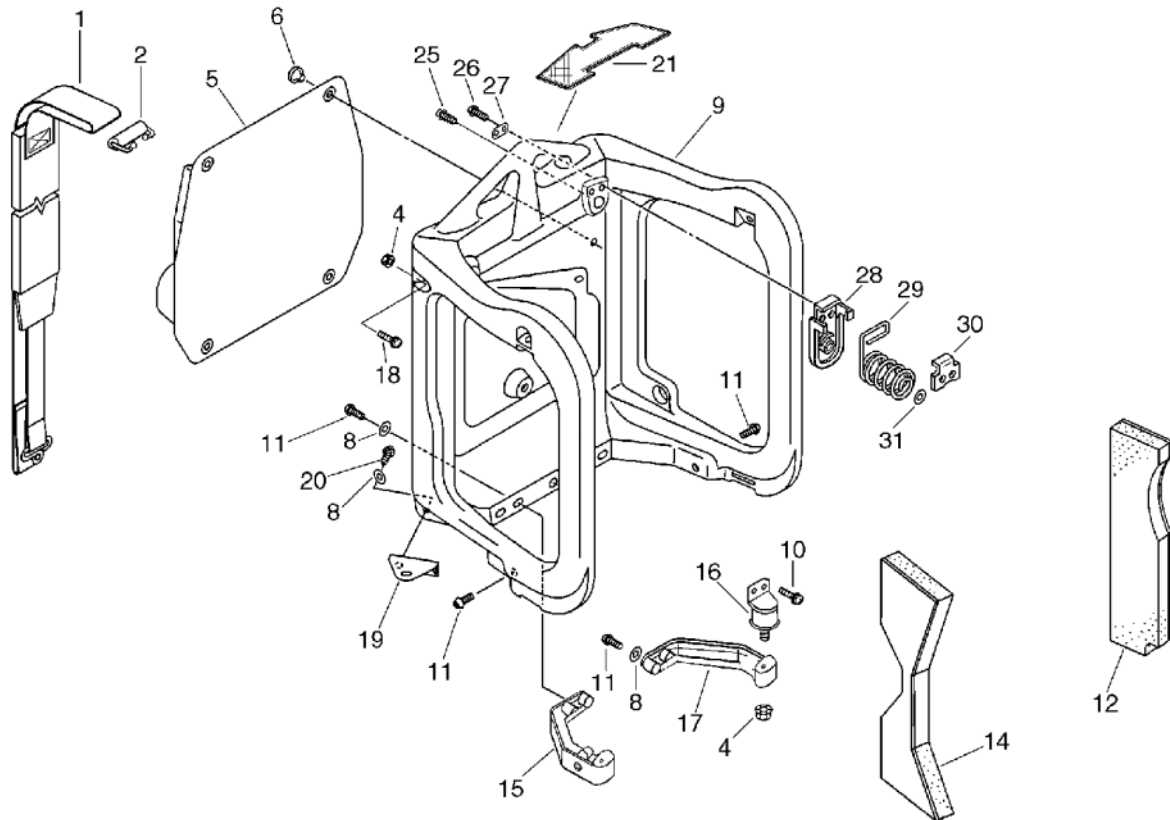
KEY	LV	PART NUMBER	Q'TY	DESCRIPTION	REMARKS	NOTE1	NOTE2
23		300217-00610	10	WASHER			

9. Harness, Frame(Sr/Nr 36001001 and after)



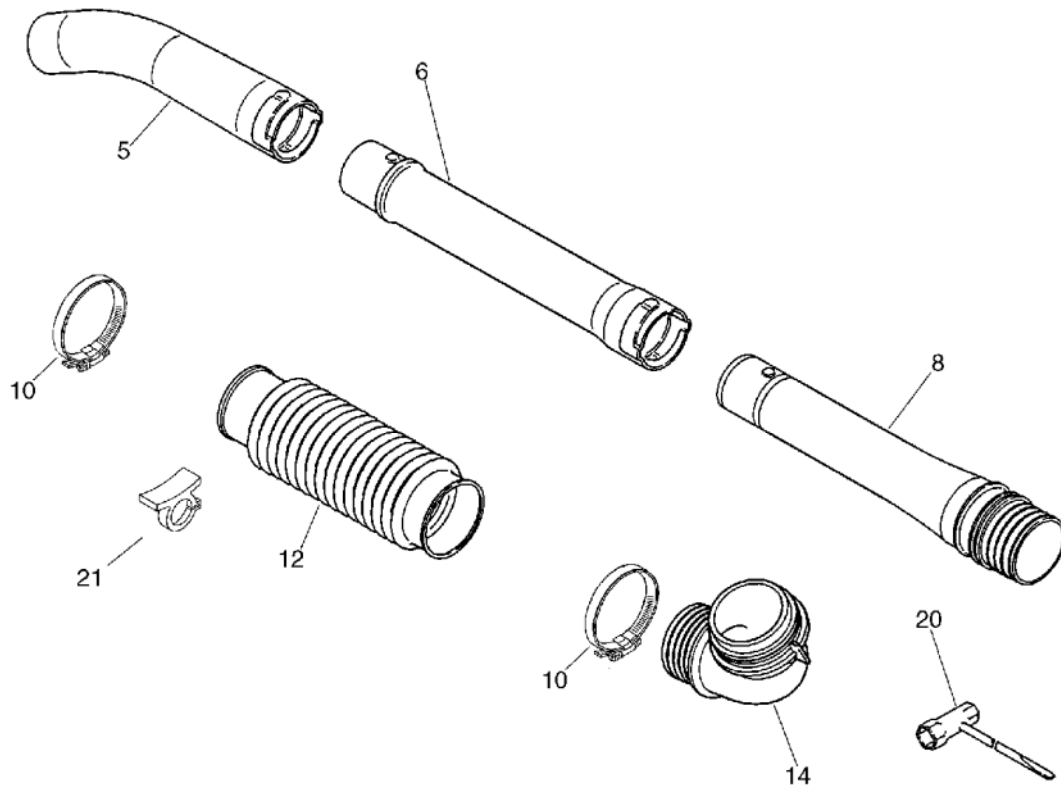
KEY	LV	PART NUMBER	Q'TY	DESCRIPTION	REMARKS	NOTE1	NOTE2
1		C061-000110	2	HARNESS,ASM BACKPACK			
2		V491-000040	2	CLIP			
4		900516-00005	4	NUT, FRANGE 5	5		
5		300105-08260	1	CUSHION, KNAPSACK	BL	Sus. by 300105-08261	
5		300105-08261	1	CUSHION, KNAPSACK			
6		300333-06160	4	CLIP		Sus. by V491-000120	
6		V491-000120	4	CLIP			
8		300217-00610	10	WASHER			
9		300010-08362	1	FRAME, BACKPACK			
10		900253-05016	2	SCREW	5*16		
11		91145-05016	6	BOLT HS TAPPING	5*16		
12		701161-21260	1	PANEL (R)			
14		701160-21260	1	PANEL (L)			
15		C622-000030	1	CONNECTOR,FRAME	(L)		
16		V401-000100	2	CUSHION,5			
17		C622-000020	1	CONNECTOR,FRAME	(R)		
18		900209-05014	2	SCREW, 5*14	5*14		
19		300614-08260	1	BRACKET, HANGER			
20		900209-05014	4	SCREW, 5*14	5*14		
21		A127-000080	1	COVER,DUST			
25		91147-05020	2	BOLT HS FL TAPP			
26		900162-05020	4	BOLT, H.S. 5*20	5*20 W,SW		
27		V150-001350	2	PLATE,EYE			
28		V456-000010	2	HOLDER,SPRING			

9. Harness, Frame(Sr/Nr 36001001 and after)



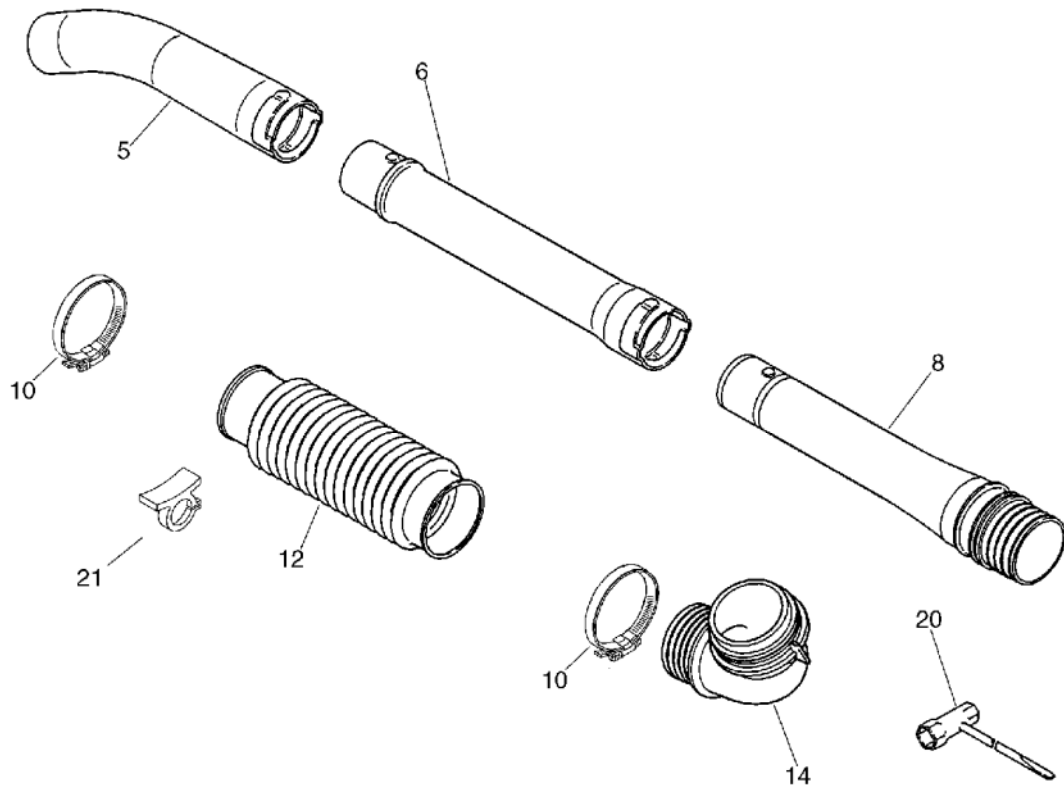
KEY	LV	PART NUMBER	Q'TY	DESCRIPTION	REMARKS	NOTE1	NOTE2
29		V450-000390	2	SPRING,COMPRESSION			
30		V263-000050	2	NUT,5			
31		613019-07350	2	WASHER 5.5*16*2T	5.5*16*2T		

10. Pipe, Tool(Sr/Nr 36004400 and befoe)



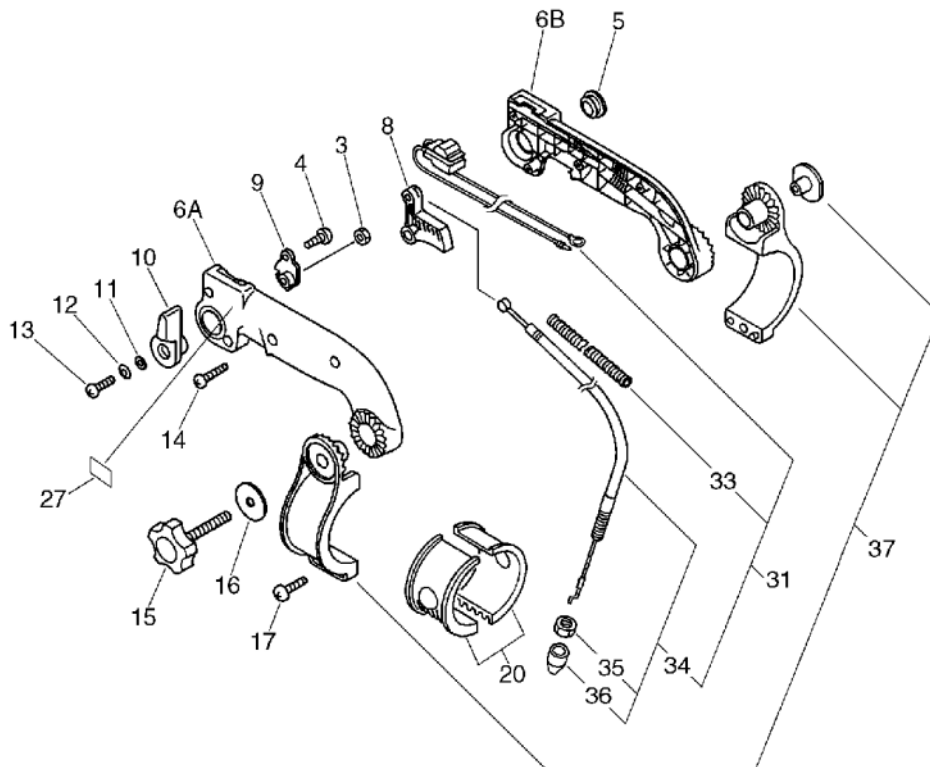
KEY	LV	PART NUMBER	Q'TY	DESCRIPTION	REMARKS	NOTE1	NOTE2
5		210023-03460	1	PIPE, CURVED (BL)			
6		210015-03460	1	PIPE, STRAIGHT (BL)			
8		212005-07560	1	PIPE, BLOWER			
10		210400-04260	2	CLAMP W/SCREW		Sus. by V495-000430	
10		V495-000430	2	BAND	58.7MM / 82.5MM		
11	+	900235-05025	2	SCREW 5*25	5*25	Can be used on 210400-04260 only	
12		210013-08360	1	PIPE, FLEXIBLE			
13		178121-09860	2	BAND		Disuse	
14		210005-08260	1	PIPE, MAIN			
20		895410-39130	1	WRENCH, W/S-DRIVER		Sus. by 895410-39131	
20		895410-39131	1	WRENCH, W/S-DRIVER			

11. Pipe, Tool(Sr/Nr 36004401 and after)



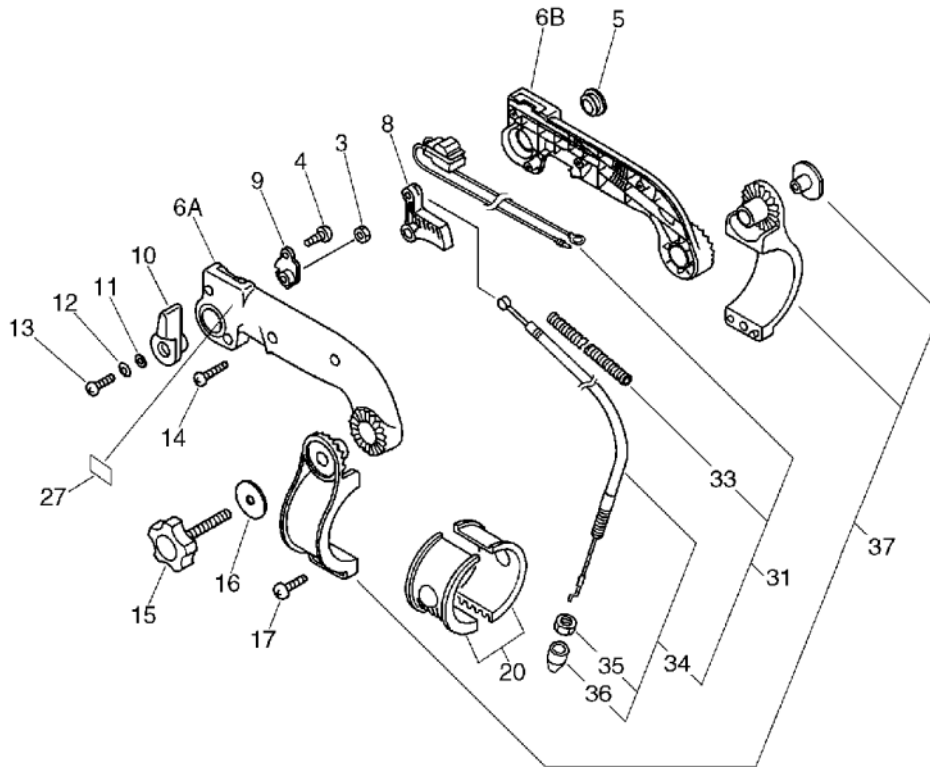
KEY	LV	PART NUMBER	Q'TY	DESCRIPTION	REMARKS	NOTE1	NOTE2
5		210023-03460	1	PIPE, CURVED (BL)			
6		210015-03460	1	PIPE, STRAIGHT (BL)			
8		212005-07560	1	PIPE, BLOWER			
10		V495-000430	2	BAND	58.7MM / 82.5MM		
12		210013-08360	1	PIPE, FLEXIBLE			
14		210011-08260	1	ELBOW, BLOWING			
20		895410-39131	1	WRENCH, W/S-DRIVER			
21		V491-000191	1	CLIP		Sr/Nr 36004401 and after	

12. Throttle(Sr/Nr 36004200 and befor)



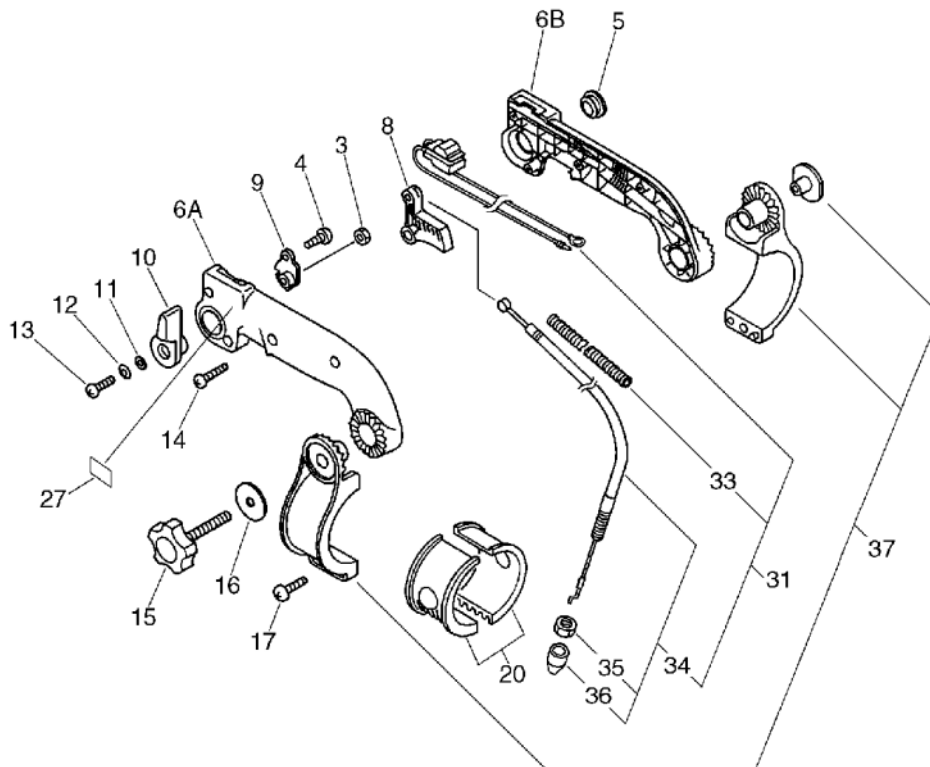
KEY	LV	PART NUMBER	Q'TY	DESCRIPTION	REMARKS	NOTE1	NOTE2
3		900500-00006	1	NUT 6	6		
4		900245-04010	1	SCREW 4*10	4*10		
5		351146-07560	1	PLUG			
6A		351315-07560	1	HANDLE, FRONT			
6B		351311-07560	1	HANDLE, FRONT			
8		178010-07560	1	CONTROL, THROTTLE		Sus. by 178010-07561	
8		178010-07561	1	CONTROL, THROTTLE			
9		178123-07561	1	BRACKET, THROTTLE			
10		178054-07560	1	CONTRTOL, THROTTLE			
11		900603-00006	1	WASHER 6	6.5*13*1		
12		900605-00006	1	WASHER, SPRING 6	6		
13		900235-06020	1	SCREW 6*20	6*20		
14		900256-04022	4	SCREW 4*22	4*22		
15		305812-08260	1	KNOB, FASTENER			
16		178516-07560	1	WASHER 6			
17		900253-05020	1	SCREW 5*20	5*20		
18A		351011-07560	1	BRACKET, HANDLE		Sr/Nr 36004200 and before	
18B		351028-07560	1	BRACKET, HANDLE		Sr/Nr 36004200 and before	
19		178021-08260	1	NUT, THROTTLE ROD		Sr/Nr 36004200 and before	
20		210019-07560	2	COLLAR		Disuse	
26		178100-08262	1	CABLE ASY, CONTROL		Sus. by 178100-08263	

12. Throttle(Sr/Nr 36004200 and befor)



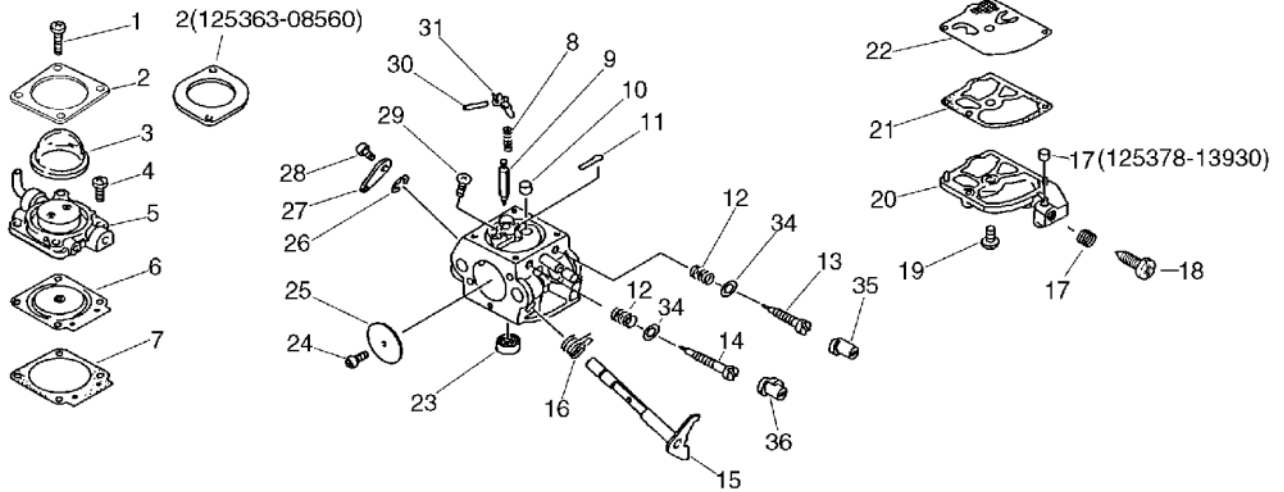
KEY	LV	PART NUMBER	Q'TY	DESCRIPTION	REMARKS	NOTE1	NOTE2
26		178100-08263	1	CABLE ASY, THROTTLE			
7	+	163400-08261	1	SWITCH, IGNITION		Sus. by V043-000021	
7	+	163400-08262	1	SWITCH, IGNITION		Sus. by V043-000021	
21	+	178001-08360	1	WIRE, THROTTLE		Sr/Nr 009129 and before	
22	+	178127-47530	1	TUBE	7*10*760	Sr/Nr 009129 and before	
23	+	900500-00006	1	NUT 6	6	Sr/Nr 009129 and before	
24	+	178082-08260	1	CAP		Sr/Nr 009129 and before	
27		890157-06560	1	LABEL, SWITCH			
31		V043-000021	1	CABLE,ASM CONTROL		Sr/Nr 36001001 and after	
33	+	V475-003210	1	TUBE	7*10*860	Sr/Nr 36001001 and after	
34	+	V430-001240	1	CABLE,BOWDEN		Sr/Nr 36001001 and after	
35	++	900500-00006	1	NUT 6	6	Sr/Nr 36001001 and after	
36	++	178082-08260	1	CAP		Sr/Nr 36001001 and after	

13. Throttle(Sr/Nr 36004201 and after)



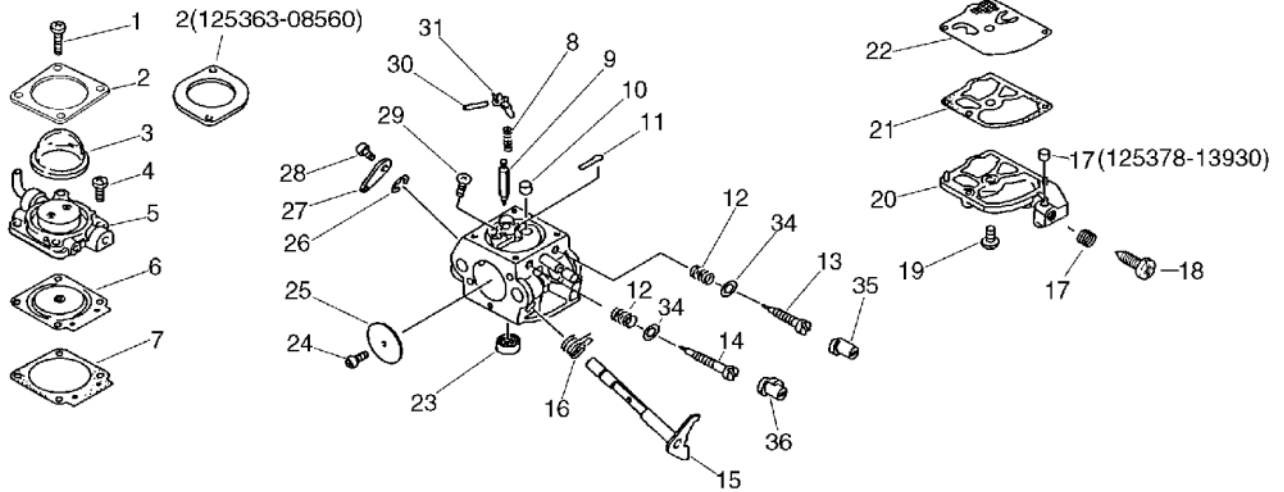
KEY	LV	PART NUMBER	Q'TY	DESCRIPTION	REMARKS	NOTE1	NOTE2
3		900500-00006	1	NUT 6	6		
4		900245-04010	1	SCREW 4*10	4*10		
5		351146-07560	1	PLUG			
6A		351315-07560	1	HANDLE, FRONT			
6B		351311-07560	1	HANDLE, FRONT			
8		178010-07561	1	CONTROL, THROTTLE			
9		178123-07561	1	BRACKET, THROTTLE			
10		178054-07560	1	CONTRTOL, THROTTLE			
11		900603-00006	1	WASHER 6	6.5*13*1		
12		900605-00006	1	WASHER, SPRING 6	6		
13		900235-06020	1	SCREW 6*20	6*20		
14		900256-04022	4	SCREW 4*22	4*22		
15		305812-08260	1	KNOB, FASTENER			
16		178516-07560	1	WASHER 6			
17		900253-05020	1	SCREW 5*20	5*20		
31		V043-000021	1	CABLE,ASM CONTROL			
33	+	V475-003210	1	TUBE	7*10*860		
34	+	V430-001240	1	CABLE,BOWDEN			
35	++	900500-00006	1	NUT 6	6		
36	++	178082-08260	1	CAP			
37		P021-014110	1	BRACKET ASSY, HANDLE			Sr/Nr 36004201 and after

14. Carburetor



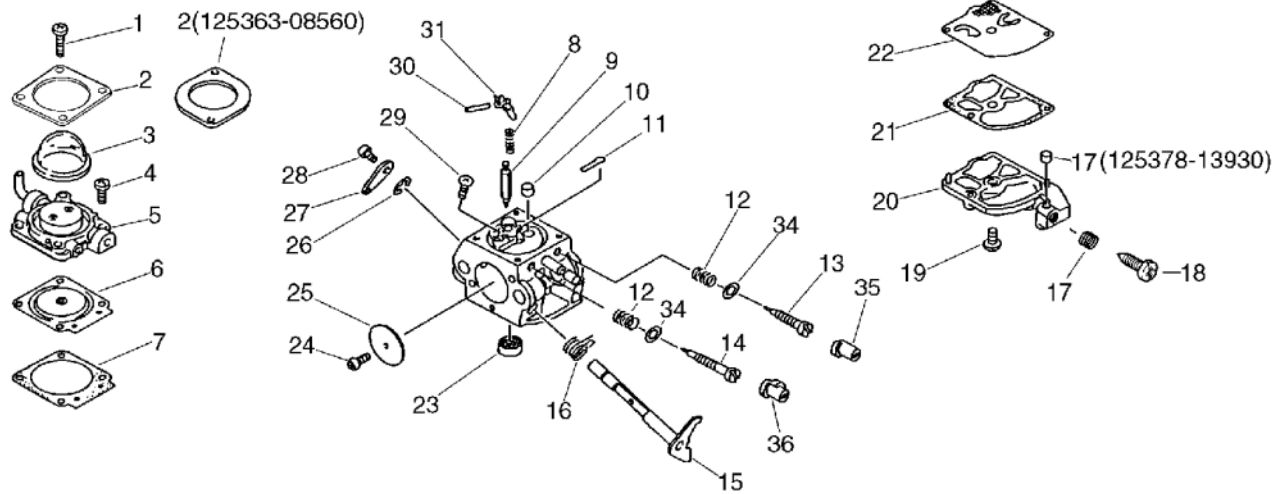
KEY	LV	PART NUMBER	Q'TY	DESCRIPTION	REMARKS	NOTE1	NOTE2
		125200-08560	1	CARBURETOR ASSY	C1M-K37B	Sus. by 125200-08564	
		125200-08561	1	CARBURETOR	C1M-37B	Sus. by 125200-08564	
		125200-08562	1	CARBURETOR	C1M-K37C	Sus. by 125200-08564	
		125200-08563	1	CARBURETOR		Sus. by 125200-08564	
		125200-08564	1	CARBURETOR	C1M-K37D		
1	+	125344-05360	2	SCREW		Can be used on the 125200-08560, -08561, -08562	
1	+	125344-05360	4	SCREW		Can be used on the 125200-08563 only	
2	+	125363-08560	1	RING		Can be used on the 125200-08560, -08561, -08562	
2	+	P005-000620	1	RETAINER		Can be used on the 125200-08563 only	
3	+	125381-08660	1	PUMP, PRIMING			

14. Carburetor



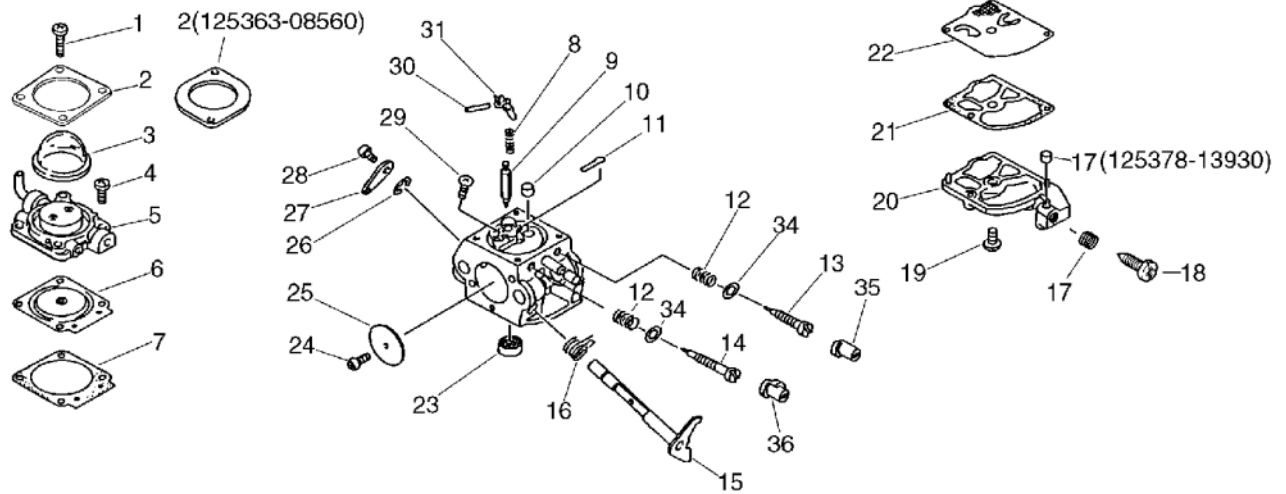
KEY	LV	PART NUMBER	Q'TY	DESCRIPTION	REMARKS	NOTE1	NOTE2
4	+	125310-05360	2	SCREW		Can be used on the 125200-08560, - 08561, -08562	
5	+	125383-08360	1	BASE, PRIMER		Can be used on the 125200-08560, - 08561, -08562	
5	+	P005-000610	1	BASE, PRIMER		Can be used on the 125200-08563 only	
6	+	125341-08360	1	DIAPHRAGM			
7	+	125340-34530	1	GASKET, DIAPHRAGM			
8	+	125322-07260	1	SPRING, COIL			
9	+	125337-08260	1	VALVE, INLET NEEDLE			
10	+	125376-08560	1	NOZZLE, CHECK VALVE		Sus. by P005- 001040	
10	+	P005-001040	1	NOZZLE, CHECK VALVE			
11	+	125345-15130	1	PLUG, WELCH			
12	+	125319-42030	2	SPRING, COIL		Can be used on the 125200-08560, - 08561	

14. Carburetor



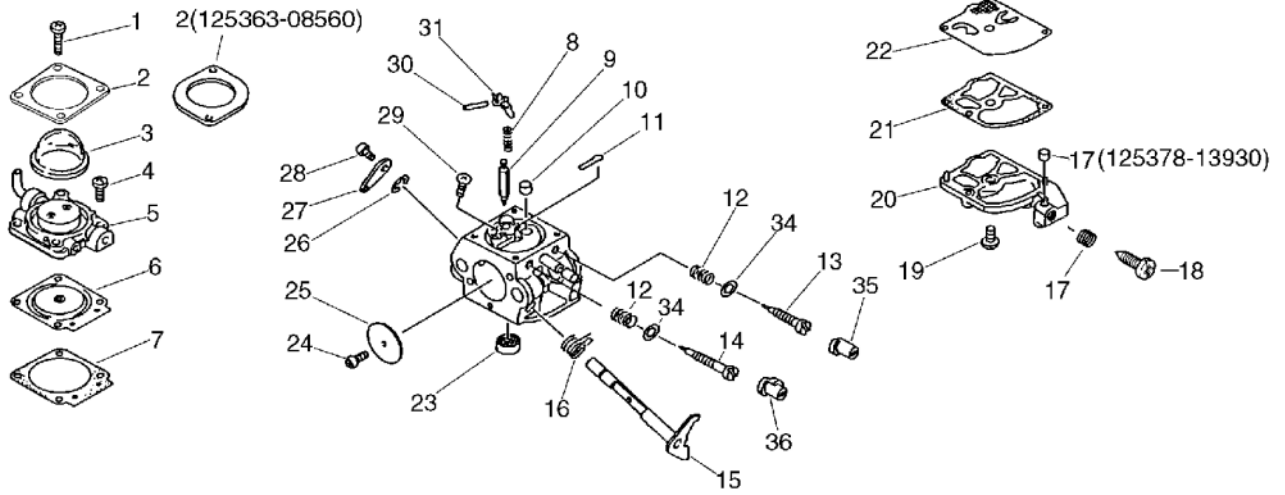
KEY	LV	PART NUMBER	Q'TY	DESCRIPTION	REMARKS	NOTE1	NOTE2
13	+	125320-08560	1	NEEDLE, HIGH SPEED		Can be used on the 125200-08560, - 08561	
13	+	P005-000420	1	SCREW, MAIN MIXTURE		Can be used on the 125200-08562, - 08563	
14	+	125318-08560	1	NEEDLE, IDLE		Can be used on the 125200-08560, - 08561	
14	+	P005-000430	1	SCREW ASY IDLE MIX.		Can be used on the 125200-08562, - 08563	
15	+	125317-08360	1	SHAFT, THROTTLE			
16	+	125313-08360	1	SPRING, THRT. RETURN			
17	+	125378-13930	1	PIECE, FRICTION		Sr/Nr 003743 and before	
17	+	125333-08560	1	SPRING, ADJUST SCREW		Sr/Nr 003744 and after	
18	+	125334-13930	1	SCREW, IDLE ADJUST		Sr/Nr 003743 and before	
18	+	125344-08560	1	SCREW		Sr/Nr 003744 and after	

14. Carburetor



KEY	LV	PART NUMBER	Q'TY	DESCRIPTION	REMARKS	NOTE1	NOTE2
19	+	125310-13930	1	SCREW		Sus. by P005-000980	
19	+	P005-000980	1	SCREW			
20	+	125324-08360	1	COVER, PUMP			
21	+	125325-08360	1	GASKET, PUMP			
22	+	125312-08360	1	DIAPHRAGM, FUEL PUMP			
23	+	125326-08360	1	STRAINER			
24	+	125314-51230	1	SCREW	3*4.5		
25	+	125316-08560	1	VALVE, THROTTLE			
26	+	125327-13930	1	CLIP			
27	+	125350-08360	1	LEVER, THROTTLE			
28	+	125348-13930	1	SCREW			
29	+	125339-42030	1	SCREW		Can be used on the 125200-08560	
29	+	125339-13930	1	SCREW		Can be used on the 125200-08561, - 08562, -08563	
30	+	125338-13930	1	PIN, METERING ARM			
31	+	125323-08260	1	ARM, VALVE			
34	+	125353-20560	2	WASHER		Can be used on the 125200-08560, - 08561	

14. Carburetor



KEY	LV	PART NUMBER	Q'TY	DESCRIPTION	REMARKS	NOTE1	NOTE2
35		125329-08560	1	LIMITER, MIXTURE		Sr/Nr 36001001 and after	
36		125329-09860	1	LIMITER, MIXTURE		Sr/Nr 36001001 and after	

15. Repair Kit

KEY	LV	PART NUMBER	Q'TY	DESCRIPTION	REMARKS	NOTE1	NOTE2
		889000-08262	1	GASKET KIT		Sus. by 889000-08263	
		889000-08263	1	GASKET KIT			
1-9	+	130016-06211	1	GASKET, INTAKE			
1-10	+	101010-10722	1	GASKET, CYL. BASE			
1-22	+	100242-10721	1	GASKET, CRANKCASE			
3-24	+	130016-03731	1	GASKET, CARBURETOR			
3-28	+	130010-10323	1	GASKET		Sus. by V103-000000	
3-28	+	V103-000000	1	GASKET,INTAKE			
2-32	+	145510-06210	2	GASKET, MUFFLER		Sus. by 145510-06211	
2-32	+	145510-06211	2	GASKET, MUFFLER			
	+	101010-06211	1	GASKET, CYL. BASE			
	+	130016-06434	1	GASKET			
	+	145866-04261	1	GASKET			
		125303-08360	1	GASKET/DIAPHRAGM KIT			
9-6	+	125341-08360	1	DIAPHRAGM			
9-7	+	125340-34530	1	GASKET, DIAPHRAGM			
9-21	+	125325-08360	1	GASKET, PUMP			
9-22	+	125312-08360	1	DIAPHRAGM, FUEL PUMP			
		125300-08560	1	REBUILD KIT			
9-6	+	125341-08360	1	DIAPHRAGM			
9-7	+	125340-34530	1	GASKET, DIAPHRAGM			
9-8	+	125322-07260	1	SPRING, COIL			
9-9	+	125337-08260	1	VALVE, INLET NEEDLE			

15. Repair Kit

KEY	LV	PART NUMBER	Q'TY	DESCRIPTION	REMARKS	NOTE1	NOTE2
9-11	+	125345-15130	1	PLUG, WELCH			
9-22	+	125312-08360	1	DIAPHRAGM, FUEL PUMP			
9-23	+	125326-08360	1	STRAINER			
9-21	+	125325-08360	1	GASKET, PUMP			
9-30	+	125338-13930	1	PIN, METERING ARM			
9-31	+	125323-08260	1	ARM, VALVE			

Index

Patrs Number	Key No.	Patrs Number	Key No.	Patrs Number	Key No.
100000-03210	1 - 11	104915-08260	8 - 7	125340-34530	14 - 7
100011-10530	1 - 12	104921-21260	6 - 50	125340-34530	15 - 9-7
100012-12330	1 - 15	104921-21260	7 - 50	125340-34530	15 - 9-7
100012-12331	1 - 15	125200-08560	14 -	125341-08360	14 - 6
100013-00410	1 - 13	125200-08560	3 - 25	125341-08360	15 - 9-6
100015-00120	1 - 14	125200-08561	14 -	125341-08360	15 - 9-6
100100-06210	1 - 32	125200-08561	3 - 25	125344-05360	14 - 1
100204-08261	1 - 17	125200-08562	14 -	125344-05360	14 - 1
100213-00310	1 - 21	125200-08562	3 - 25	125344-08560	14 - 18
100215-03930	1 - 19	125200-08563	14 -	125345-15130	14 - 11
100242-10721	1 - 22	125200-08563	3 - 25	125345-15130	15 - 9-11
100242-10721	15 - 1-22	125200-08564	14 -	125348-13930	14 - 28
100905-08260	8 - 11	125200-08564	3 - 25	125350-08360	14 - 27
100905-08261	8 - 11	125200-08564	4 - 25	125353-20560	14 - 34
100907-08260	8 - 16	125300-08560	15 -	125363-08560	14 - 2
101010-06211	15 -	125303-08360	15 -	125376-08560	14 - 10
101010-10722	1 - 10	125310-05360	14 - 4	125378-13930	14 - 17
101010-10722	15 - 1-10	125310-13930	14 - 19	125381-08660	14 - 3
101011-08260	1 - 6	125312-08360	14 - 22	125383-08360	14 - 5
101011-08261	1 - 6	125312-08360	15 - 9-22	129011-08260	3 - 22
101514-08260	1 - 8	125312-08360	15 - 9-22	130007-08260	3 - 27
101514-21260	1 - 3	125313-08360	14 - 16	130007-08261	3 - 27
104003-21260	6 - 15	125314-51230	14 - 24	130007-08261	4 - 27
104003-21261	6 - 15	125316-08560	14 - 25	130010-10323	15 - 3-28
104003-21263	6 - 15	125317-08360	14 - 15	130010-10323	3 - 28
104003-21263	7 - 15	125318-08560	14 - 14	130010-21260	3 - 26
104085-21260	6 - 32	125319-42030	14 - 12	130010-21261	3 - 26
104085-21260	7 - 32	125320-08560	14 - 13	130010-21262	3 - 26
104292-21160	6 - 41	125322-07260	14 - 8	130010-21262	4 - 26
104292-21160	7 - 41	125322-07260	15 - 9-8	130016-03731	15 - 3-24
104292-21260	6 - 45	125323-08260	14 - 31	130016-03731	3 - 24
104292-21260	7 - 45	125323-08260	15 - 9-31	130016-03731	4 - 24
104293-21160	6 - 43	125324-08360	14 - 20	130016-06211	1 - 9
104293-21160	7 - 43	125325-08360	14 - 21	130016-06211	15 - 1-9
104293-21260	6 - 44	125325-08360	15 - 9-21	130016-06434	15 -
104293-21260	7 - 44	125325-08360	15 - 9-21	130305-08360	3 - 9
104294-21160	6 - 46	125326-08360	14 - 23	130305-08361	3 - 9
104294-21160	7 - 46	125326-08360	15 - 9-23	130305-08361	4 - 9
104294-21260	6 - 47	125327-13930	14 - 26	130307-08360	3 - 10
104294-21260	7 - 47	125329-08560	14 - 35	130307-08360	4 - 10
104295-21160	6 - 42	125329-09860	14 - 36	130308-08360	3 - 5
104295-21160	7 - 42	125333-08560	14 - 17	130308-08360	4 - 5
104295-21260	6 - 48	125334-13930	14 - 18	130341-08260	3 - 7
104295-21260	7 - 48	125337-08260	14 - 9	130341-08260	4 - 7
104910-09860	6 - 19	125337-08260	15 - 9-9	130405-09860	3 - 23
104910-09860	7 - 19	125338-13930	14 - 30	130405-09861	3 - 23
104910-21260	6 - 19	125338-13930	15 - 9-30	130405-09862	3 - 23
104913-08360	6 - 23	125339-13930	14 - 29	130711-08260	3 - 16
104913-08360	7 - 23	125339-42030	14 - 29	130711-08260	4 - 16

Index

Patrs Number	Key No.	Patrs Number	Key No.	Patrs Number	Key No.
130715-08260	3 - 15	145887-21060	2 - 38	178123-07561	13 - 9
130715-08260	4 - 15	145888-21060	2 - 36	178127-03460	5 - 22
131010-08260	5 - 12	145910-21260	6 - 12	178127-47530	12 - 22
131010-08261	5 - 12	145910-21260	7 - 12	178516-07560	12 - 16
131010-08262	5 - 12	151112-04630	1 - 27	178516-07560	13 - 16
131010-08263	5 - 12	156111-06160	2 - 7	200010-09860	6 - 27
131010-08264	5 - 12	156601-08360	2 - 6	200010-09860	7 - 27
131010-08265	5 - 12	156601-09861	2 - 6	200110-21261	6 - 22
131010-08266	5 - 12	156800-06161	2 - 4	200111-08260	6 - 29
131015-21330	5 - 8	159008-21261	6 - 13	200111-08261	6 - 29
131016-21060	5 - 9	159008-21261	7 - 13	200111-08262	6 - 29
131032-08360	3 - 11	159010-10230	2 - 10	200111-08263	6 - 29
131032-08360	4 - 11	159011-03432	2 - 9	200111-08264	6 - 29
131051-27230	5 - 1	159012-01620	2 - 8	200111-08264	7 - 29
131053-03060	5 - 4	159116-21231	6 - 30	200111-08265	6 - 29
131205-19830	5 - 19	159116-21231	7 - 30	200111-08265	7 - 29
131314-06320	5 - 7	159129-08260	1 - 25	200124-09860	6 - 34
131600-09860	5 - 5	162021-08260	2 - 11	200124-09860	7 - 34
131600-09861	5 - 5	163400-08261	12 - 7	210005-08260	10 - 14
131925-02310	8 - 8	163400-08262	12 - 7	210011-08260	11 - 14
132010-08260	5 - 13	177200-21260	2 - 17	210013-08360	10 - 12
132011-08260	5 - 14	177202-06210	2 - 13	210013-08360	11 - 12
132012-08261	5 - 18	177214-40630	2 - 19	210015-03460	10 - 6
132013-26630	5 - 20	177215-11120	2 - 20	210015-03460	11 - 6
132015-08260	5 - 21	177218-40630	2 - 16	210019-07560	12 - 20
132016-08260	5 - 15	177220-11120	2 - 24	210023-03460	10 - 5
132021-08260	5 - 16	177226-11120	2 - 21	210023-03460	11 - 5
132115-02960	5 - 17	177227-42030	2 - 22	210400-04260	10 - 10
145510-06210	1 - 4	177228-01110	2 - 23	212005-07560	10 - 8
145510-06210	15 - 2-32	177234-40630	2 - 15	212005-07560	11 - 8
145510-06210	2 - 32	177236-40630	2 - 18	300010-08360	8 - 9
145510-06211	1 - 4	178001-08360	12 - 21	300010-08361	8 - 9
145510-06211	15 - 2-32	178010-07560	12 - 8	300010-08362	8 - 9
145510-06211	2 - 32	178010-07561	12 - 8	300010-08362	9 - 9
145515-21060	2 - 37	178010-07561	13 - 8	300012-08260	8 - 17
145515-21061	2 - 37	178021-08260	12 - 19	300032-08360	8 - 15
145637-21260	3 - 8	178054-07560	12 - 10	300105-08260	8 - 5
145637-21260	4 - 8	178054-07560	13 - 10	300105-08260	9 - 5
145800-21261	2 - 31	178076-08360	3 - 30	300105-08261	8 - 5
145802-21260	2 - 31	178076-08360	4 - 30	300105-08261	9 - 5
145809-21260	2 - 35	178082-08260	12 - 24	300217-00610	8 - 3
145809-21261	2 - 35	178082-08260	12 - 36	300217-00610	8 - 23
145862-21060	2 - 34	178082-08260	13 - 36	300217-00610	9 - 8
145862-21260	2 - 34	178100-08262	12 - 26	300300-08261	8 - 1
145862-21260	2 - 34	178100-08263	12 - 26	300333-06160	8 - 6
145866-04261	15 -	178101-08260	6 - 20	300333-06160	9 - 6
145866-21060	2 - 33	178101-08260	7 - 20	300614-08260	8 - 19
145866-21360	2 - 33	178121-09860	10 - 13	300614-08260	9 - 19
145866-21360	2 - 33	178123-07561	12 - 9	302914-21060	8 - 22

Index

Patrs Number	Key No.	Patrs Number	Key No.	Patrs Number	Key No.
305812-08260	12 - 15	890617-21260	7 - 33	900253-05016	7 - 4
305812-08260	13 - 15	895410-39130	10 - 20	900253-05016	7 - 39
351010-08260	6 - 7	895410-39131	10 - 20	900253-05016	7 - 35
351010-08260	7 - 7	895410-39131	11 - 20	900253-05016	8 - 10
351011-07560	12 - 18A	900080-00400	2 - 36	900253-05016	8 - 10
351028-07560	12 - 18B	900105-05060	6 - 1	900253-05016	9 - 10
351110-08260	6 - 5	900105-05060	7 - 1	900253-05020	12 - 17
351110-08260	7 - 5	900162-04018	2 - 26	900253-05020	13 - 17
351146-07560	12 - 5	900162-05020	2 - 39	900253-05030	6 - 31
351146-07560	13 - 5	900162-05020	6 - 28	900253-05030	7 - 31
351311-07560	12 - 6B	900162-05020	7 - 28	900256-04022	12 - 14
351311-07560	13 - 6B	900162-05020	9 - 26	900256-04022	13 - 14
351315-07560	12 - 6A	900162-05022	1 - 5	900319-30060	5 - 2
351315-07560	13 - 6A	900162-05025	3 - 29	900319-30070	5 - 2
351335-08260	6 - 26	900162-05025	4 - 29	900323-03014	1 - 33
351335-08260	7 - 26	900162-05032	1 - 28	900345-30025	3 - 6
351337-08260	6 - 6	900162-05040	1 - 20	900345-30025	4 - 6
351337-08260	7 - 6	900163-04018	2 - 26	900500-00006	12 - 3
613019-07350	9 - 31	900209-05014	3 - 13	900500-00006	12 - 23
701160-21260	8 - 14	900209-05014	8 - 2	900500-00006	12 - 35
701160-21260	9 - 14	900209-05014	8 - 18	900500-00006	13 - 3
701161-21260	8 - 12	900209-05014	9 - 18	900500-00006	13 - 35
701161-21260	9 - 12	900209-05014	9 - 20	900501-00010	2 - 1
880826-21260	6 - 14	900209-05020	5 - 11	900516-00005	3 - 14
880826-21260	7 - 14	900209-05020	8 - 20	900516-00005	4 - 14
889000-08262	15 -	900220-05050	3 - 20	900516-00005	5 - 10
889000-08263	15 -	900220-06022	8 - 21	900516-00005	6 - 9
890118-21260	6 - 17	900235-05025	10 - 11	900516-00005	6 - 10
890157-06560	12 - 27	900235-06020	12 - 13	900516-00005	7 - 9
890158-08260	3 - 19	900235-06020	13 - 13	900516-00005	7 - 10
890158-08261	3 - 19	900238-05010	1 - 7	900516-00005	8 - 4
890158-08261	4 - 19	900238-05018	1 - 26	900516-00005	8 - 4
890160-06360	6 - 16	900238-05018	2 - 5	900516-00005	9 - 4
890160-06361	6 - 16	900238-05025	3 - 18	900600-00003	5 - 3
890160-06361	7 - 16	900238-05025	4 - 18	900600-00005	6 - 2
890160-09460	6 - 8	900238-05025	6 - 21	900600-00005	7 - 2
890160-09461	6 - 8	900238-05025	7 - 21	900602-00005	6 - 2
890160-09461	7 - 8	900238-05045	6 - 3	900602-00010	2 - 3
890160-21260	6 - 33	900238-05045	7 - 3	900603-00006	12 - 11
890160-21260	6 - 33	900239-05025	6 - 18	900603-00006	13 - 11
890160-21260	6 - 35	900239-05025	7 - 18	900605-00006	12 - 12
890560-90660	6 - 36	900242-05057	3 - 20	900605-00006	13 - 12
890560-90660	7 - 36	900242-05057	4 - 20	900605-00010	2 - 2
890611-21260	6 - 11	900245-04010	12 - 4	900700-00004	2 - 14
890611-21261	6 - 11	900245-04010	13 - 4	900810-36202	1 - 18
890611-21262	7 - 11	900246-03012	6 - 25	91145-05016	9 - 11
890617-21260	6 - 33	900246-03012	7 - 25	91147-05020	9 - 25
890617-21260	6 - 33	900253-05016	6 - 4	91371-06020	8 - 21
890617-21260	7 - 33	900253-05016	6 - 39	91540-05014	3 - 13

Index

Patrs Number	Key No.	Patrs Number	Key No.	Patrs Number	Key No.
91540-05014	4 - 13	V043-000021	13 - 31		
91540-05014	8 - 2	V103-000000	15 - 3-28		
A127-000080	8 - 22	V103-000000	3 - 28		
A127-000080	9 - 21	V103-000000	4 - 28		
A130-000210	1 - 6	V150-001350	9 - 27		
A221-000000	3 - 23	V263-000050	9 - 30		
A221-000000	4 - 23	V401-000000	6 - 38		
A244-000020	3 - 22	V401-000001	6 - 38		
A244-000020	4 - 22	V401-000002	6 - 38		
A322-000000	6 - 12	V401-000002	7 - 38		
A322-000000	7 - 12	V401-000100	9 - 16		
A358-000000	5 - 8	V430-001240	12 - 34		
C061-000110	9 - 1	V430-001240	13 - 34		
C606-000010	6 - 32	V450-000390	9 - 29		
C606-000010	7 - 32	V456-000010	9 - 28		
C622-000020	9 - 17	V471-000770	5 - 18		
C622-000030	9 - 15	V475-003210	12 - 33		
E103-000100	6 - 22	V475-003210	13 - 33		
E103-000101	6 - 22	V485-000190	2 - 11		
E103-000102	6 - 22	V491-000040	9 - 2		
E103-000103	6 - 22	V491-000120	8 - 6		
E103-000103	7 - 22	V491-000120	9 - 6		
P005-000420	14 - 13	V491-000191	11 - 21		
P005-000430	14 - 14	V491-000220	4 - 31		
P005-000610	14 - 5	V495-000430	10 - 10		
P005-000620	14 - 2	V495-000430	11 - 10		
P005-000980	14 - 19	X502-000230	6 - 17		
P005-001040	14 - 10	X502-000500	7 - 17		
P021-000250	8 - 16	X505-002310	7 - 16		
P021-000251	8 - 16				
P021-000300	2 - 40				
P021-000380	6 - 37				
P021-000380	7 - 37				
P021-000381	6 - 37				
P021-000382	6 - 37				
P021-000383	6 - 37				
P021-000384	6 - 37				
P021-000385	6 - 37				
P021-000385	7 - 37				
P021-000386	6 - 37				
P021-000386	7 - 37				
P021-001760	8 - 1				
P021-001761	8 - 1				
P021-002540	1 - 11				
P021-013090	7 - 15				
P021-014110	13 - 37				
P021-043140	3 - 17				
P021-043140	4 - 17				
V043-000021	12 - 31				

YAMABIKO CORPORATION

7-2 SUEHIROCHO 1-CHOME, OHME, TOKYO 198-8760, JAPAN
PHONE: 81-428-32-6118. FAX: 81-428-32-6145.

