



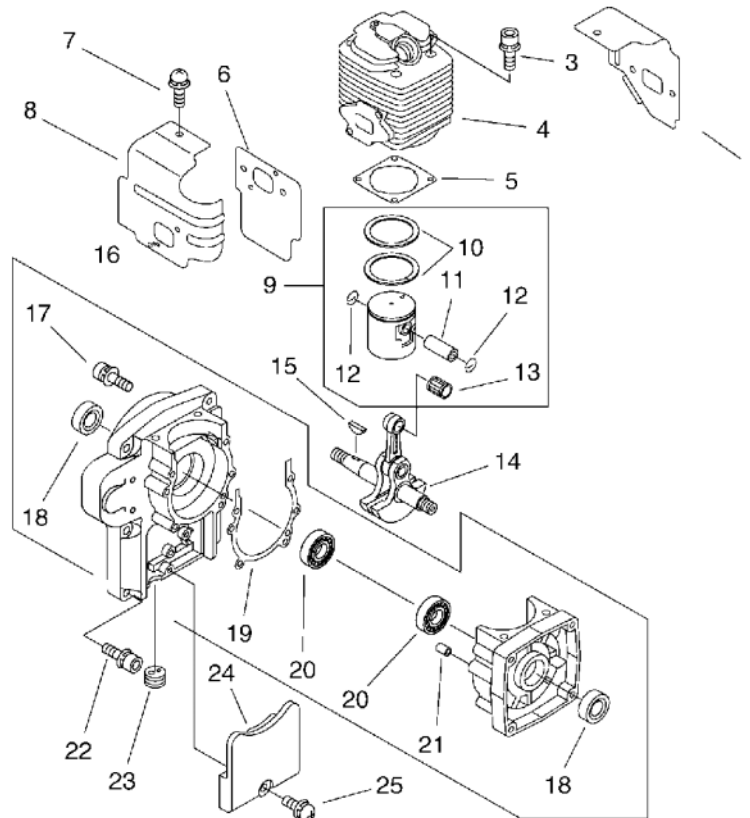
# **PARTS CATALOGUE**

## **BACKPACK BLOWER**

### **PB-620(36)**

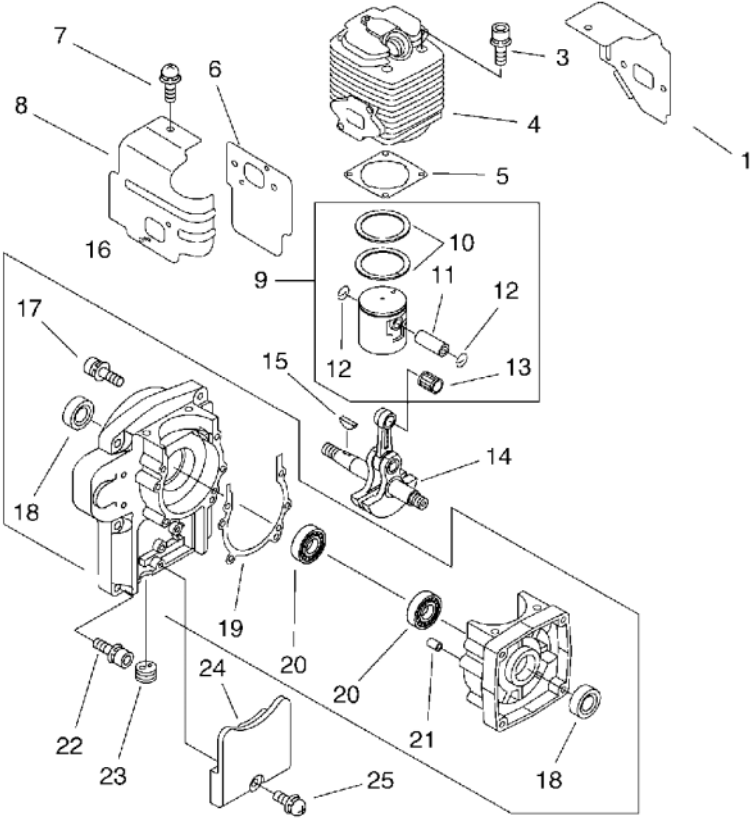
**36009423 -**

# 1. CYLINDER, CRANKCASE, PISTON



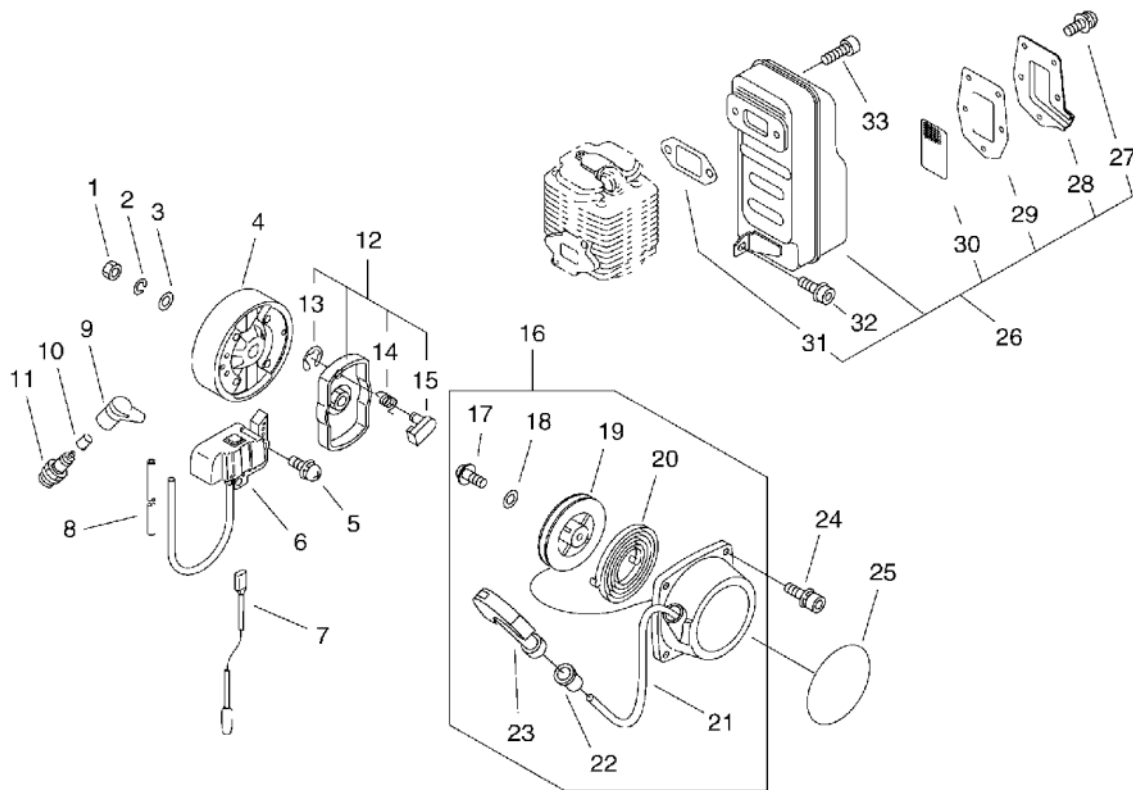
KEY	LV	PART NUMBER	Q'TY	DESCRIPTION	REMARKS	NOTE1	NOTE2
1		A160-000450	1	COVER,CYLINDER			
3		900162-05022	4	BOLT, H.S. 5*22	5*22 W,SW		
4		A130-000570	1	CYLINDER			
5		101010-06211	1	GASKET, CYL. BASE			
6		130016-06211	1	GASKET, INTAKE			
7		900238-05010	1	SCREW 5*10	5*10		
8		101514-08260	1	COVER, CYLINDER			
9		P021-007450	1	PISTON KIT			
10	+	100011-08360	2	RING, PISTON			
11	+	100013-06210	1	PIN, PISTON			
11	+	100013-06210	1	PIN, PISTON			
12	+	100015-00120	2	CIRCLIP, PISTON PIN			
13	+	100012-12330	1	BEARING, NEEDLE			
14		A011-000340	1	CRANKSHAFT,ASM			
15		900323-03014	1	KEY WOODRUFF	3*14		
16		100204-08261	1	CRANKCASE KIT			
17	+	900162-05040	4	BOLT, H.S. 5*40	5*40 W,SW		
18	+	100213-00310	2	OILSEAL	ISCD 15 25 7		
19	+	100242-10721	1	GASKET, CRANKCASE			
20	+	900810-36202	2	BEARING, BALL 6202	6202/C3		
20	+	94036-46202	2	BEARING BALL			
21	+	100215-03930	2	PIN, DOWEL			
22		900162-05032	6	BOLT, H.S. 5*32	5*32 W,SW		
23		151112-04630	1	BUSHING			
24		159129-08260	1	COVER, DUST			
24		159129-08261	1	COVER, DUST			

# 1. CYLINDER, CRANKCASE, PISTON



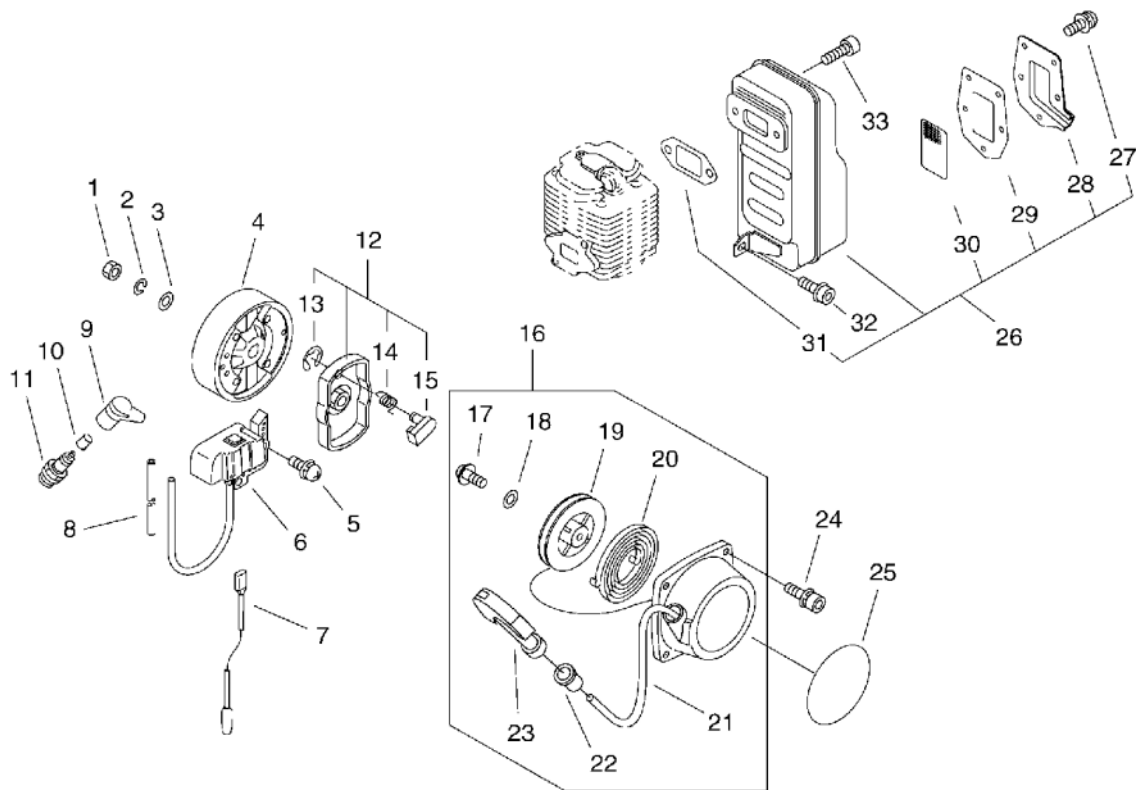
KEY	LV	PART NUMBER	Q'TY	DESCRIPTION	REMARKS	NOTE1	NOTE2
25		900238-05018	1	SCREW 5*18	5*18		

## 2. STARTER, MAGNETO, MUFFLER



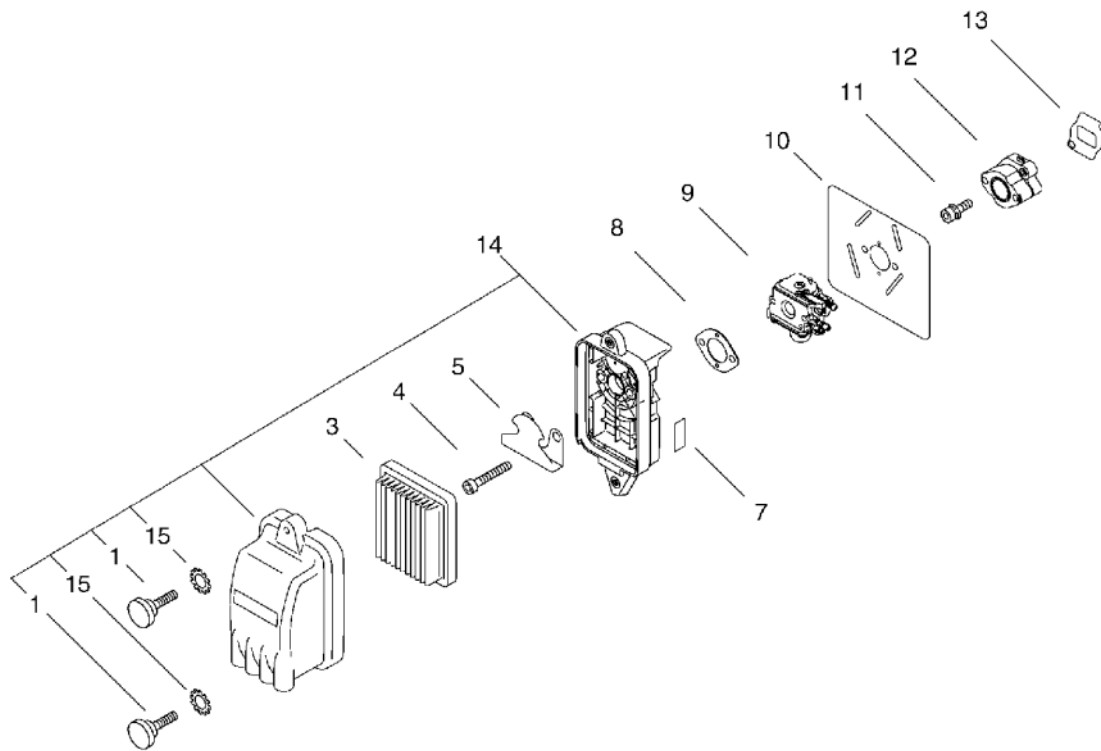
KEY	LV	PART NUMBER	Q'TY	DESCRIPTION	REMARKS	NOTE1	NOTE2
1		900501-00010	1	NUT 10*1.25	10*P1.25		
2		900605-00010	1	WASHER, SPRING 10	10		
3		900602-00010	1	WASHER 10(10.5*21*2)	10.5*21*2		
4		156800-06161	1	ROTOR, MAGNETO			
5		900238-05018	2	SCREW 5*18	5*18		
6		156601-08360	1	C.D. IGNITION MODULE			
7		V485-000190	1	LEAD			
8		156111-06160	1	TUBE 6.3*8*380	6.3*8*380		
9		159012-10230	1	CAP, SPARK PLUG			
10		159016-05330	1	ADAPTER, PLUG CAP			
11		159010-10230	1	PLUG, SPARK (BPMR-7A)	BPMR-7A		
12		A052-000042	1	PULLEY, ASM STARTER			
13	+	P022-002100	2	E-RING	4		
14	+	P022-003130	2	SPRING, RETURN			
15	+	P022-003120	2	PAWL, STARTER			
16		A051-000930	1	STARTER, RECOIL			
17	+	177236-06910	1	SCREW			
18	+	177214-40630	1	WASHER			
19	+	P022-005910	1	DRUM, STARTER			
20	+	P022-004680	1	SPRING, SPIRAL			
21	+	P022-010580	1	ROPE, STARTER			
22	+	177227-42030	1	GUIDE, ROPE			
23	+	177228-01110	1	GRIP, STARTER			
24		900163-04018	4	BOLT HSH			
25		X502-000460	1	LABEL, ECHO			
26		P021-001833	1	MUFFLER ASY			

## 2. STARTER, MAGNETO, MUFFLER



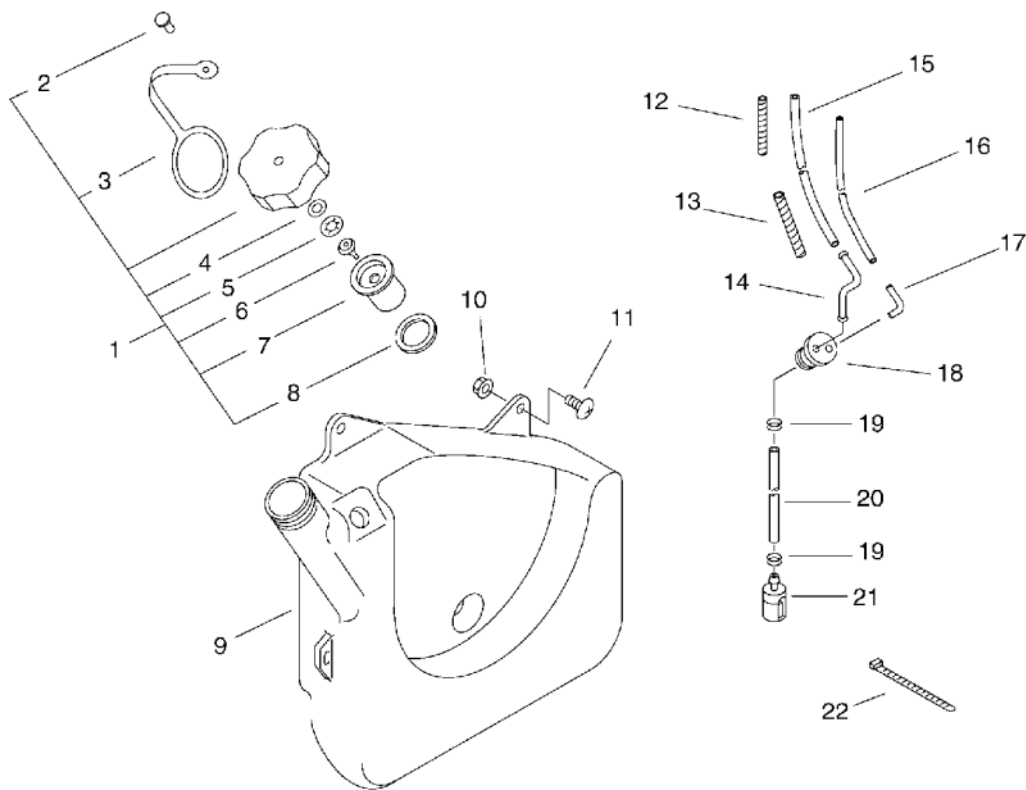
KEY	LV	PART NUMBER	Q'TY	DESCRIPTION	REMARKS	NOTE1	NOTE2
27	+	900238-04010	5	SCREW 4*10	4*10		
28	+	A313-000240	1	GUIDE,EXH	ID.NO.5100		
28	+	A313-000240	1	GUIDE,EXH	ID.NO.5100		
28	+	A313-000240	1	GUIDE,EXH	ID.NO.5100		
29	+	145866-04261	1	GASKET			
30	+	145862-06720	1	SCREEN, MUFFLER			
31	+	145510-06211	2	GASKET, MUFFLER			
32		900106-05020	1	BOLT, H.S. 5*20	5*20		
33		900105-06020	2	BOLT, H.S. 6*20	6*20		

### 3. AIR CLEANER, CARBURETOR



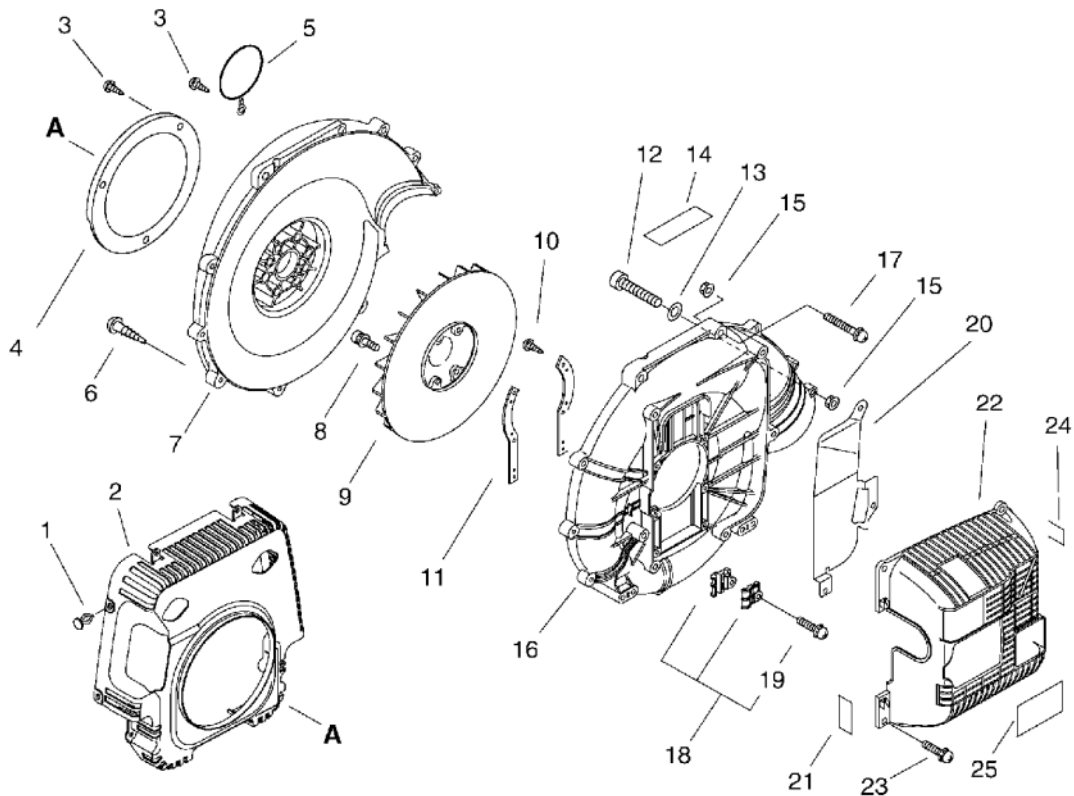
KEY	LV	PART NUMBER	Q'TY	DESCRIPTION	REMARKS	NOTE1	NOTE2
3		A226-000032	1	ELEMENT,AIR FILTER			
4		900105-05060	2	BOLT, H.S. 5*60	5*60		
5		A244-000020	1	PLATE,PREVENT			
7		890158-08261	1	LABEL, CHOKE			
8		130016-03731	1	GASKET, CARBURETOR			
9		A021-000770	1	CARBURETOR,DIAPHRAGM	C1M-K76		
9		A021-000771	1	CARBURETOR,DIAPHRAGM	C1M-K76		
10		130010-21262	1	GASKET, INTAKE			
11		900162-05025	2	BOLT, H.S. 5*25	5*25 W,SW		
12		130007-08261	1	INSULATOR			
13		V103-000000	1	GASKET,INTAKE			
14		P021-014431	1	CLEANER KIT, AIR			
1	+	V299-000290	2	KNOB,FASTENER	1 KNOB M5X0.8		
15	+	V340-000210	2	WASHER	5.6*11.3		

## 4. FUEL TANK



KEY	LV	PART NUMBER	Q'TY	DESCRIPTION	REMARKS	NOTE1	NOTE2
1		131600-09861	1	CAP ASY, FUEL			
2	+	900319-30070	1	RIVET 3*7	3*7		
3	+	131051-27230	1	LINK			
4	+	900600-00003	1	WASHER 3	3		
5	+	131053-03060	1	NUT			
6	+	131314-06320	1	VALVE, CHECK			
7	+	A358-000000	1	HOLDER,CHECK VALVE			
8	+	131016-21060	1	GASKET, FUEL CAP			
9		131010-08266	1	TANK, FUEL			
10		900516-00005	2	NUT, FRANGE 5	5		
11		900209-05020	3	SCREW, 5*20	5*20		
12		178127-03460	1	TUBE			
13		132015-08260	1	COVER, PROTECTIVE			
14		132011-08260	1	CONNECTOR, FUEL PIPE			
15		132010-08260	1	PIPE, FUEL	3*7*520 NBR		
16		132016-08260	1	PIPE, FUEL	2*4*480		
17		132021-08260	1	CONNECTOR, PIPE			
18		132115-02960	1	GROMMET			
19		132013-26630	2	CLIP	6.5MM		
20		V471-000770	1	PIPE			
21		131205-19831	1	STRAINER, FUEL			
22		178121-43230	1	BAND	CV-150 BL		

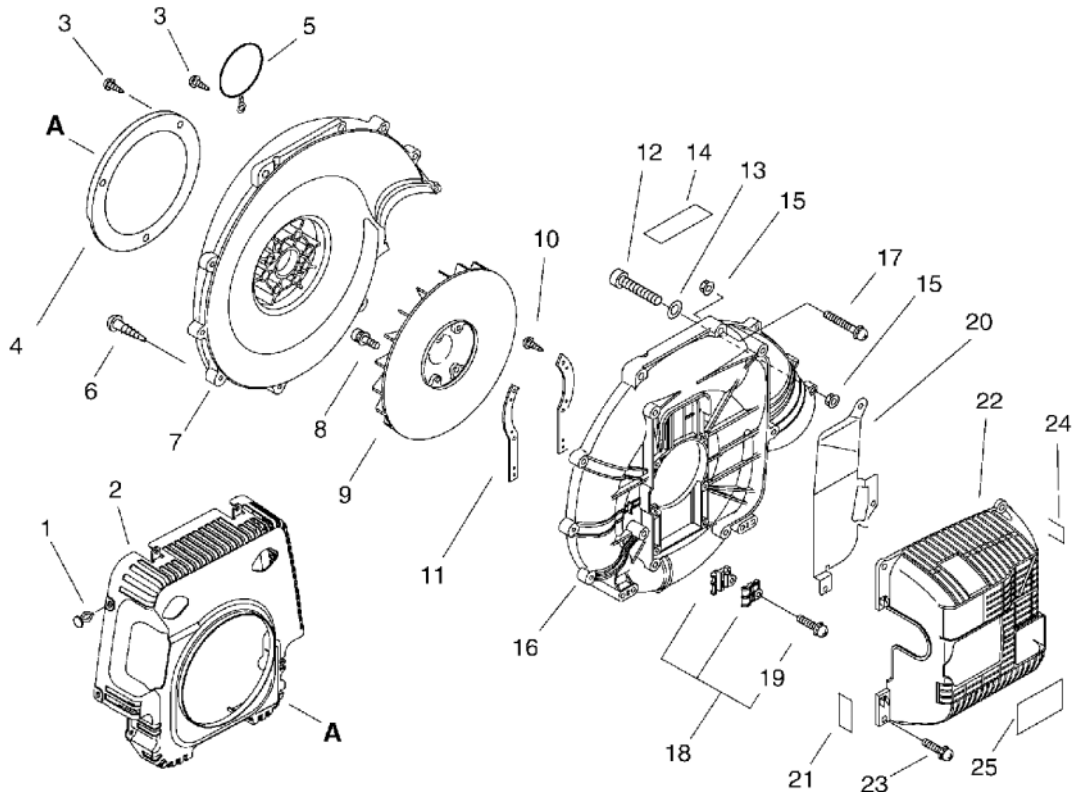
## 5. FAN CASE



KEY	LV	PART NUMBER	Q'TY	DESCRIPTION	REMARKS	NOTE1	NOTE2
1		V491-000120	8	CLIP			
2		E104-000061	1	GRID,BLOWER			
3		900253-05016	1	SCREW	5*16		
3		900253-05016	3	SCREW	5*16		
4		A161-000071	1	DUCT, AIR			
5		C617-000230	1	STOPPER			
6		900253-05030	7	SCREW 5*30	5*30		
7		200111-08265	1	CASE, FAN			
7		200111-08266	1	CASE, FAN		GRID SIDE	
8		900162-05020	4	BOLT, H.S. 5*20	5*20 W,SW		
9		200005-08261	1	FAN			
10		900246-03012	4	SCREW 3*12	3*12		
11		104913-08360	2	BRACKET, ENGINE			
12		900105-05060	2	BOLT, H.S. 5*60	5*60		
13		900600-00005	2	WASHER 5	5		
14		890160-09461	1	LABEL, CAUTION			
15		900516-00005	2	NUT, FRANGE 5	5		
16		E103-000103	1	CASE, FAN			
16		E103-000104	1	CASE, FAN			
16		E103-000105	1	CASE, FAN	EI#000616		
16		E103-000106	1	CASE, FAN			
17		900238-05040	2	SCREW 5*40	5*40		
18		178101-08260	1	HOLDER KIT, CABLE			
19	+	900238-05025	1	SCREW 5*25	5*25		
20		A322-000000	1	INSULATOR,MUFFLER			
21		890560-90660	1	LABEL, PRIMING			

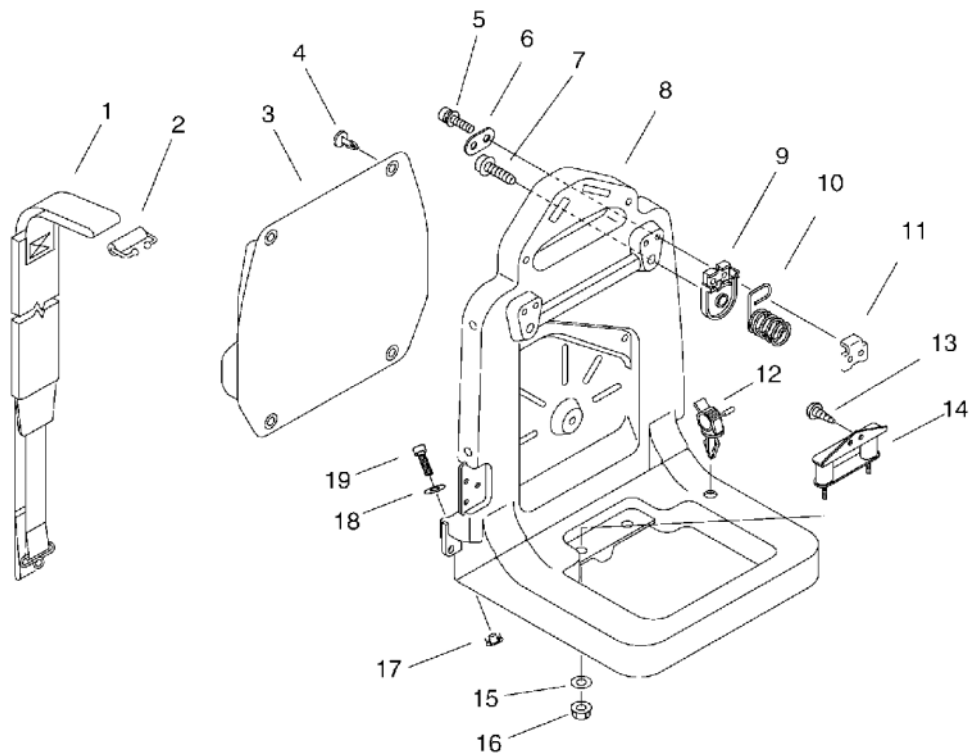


5. FAN CASE



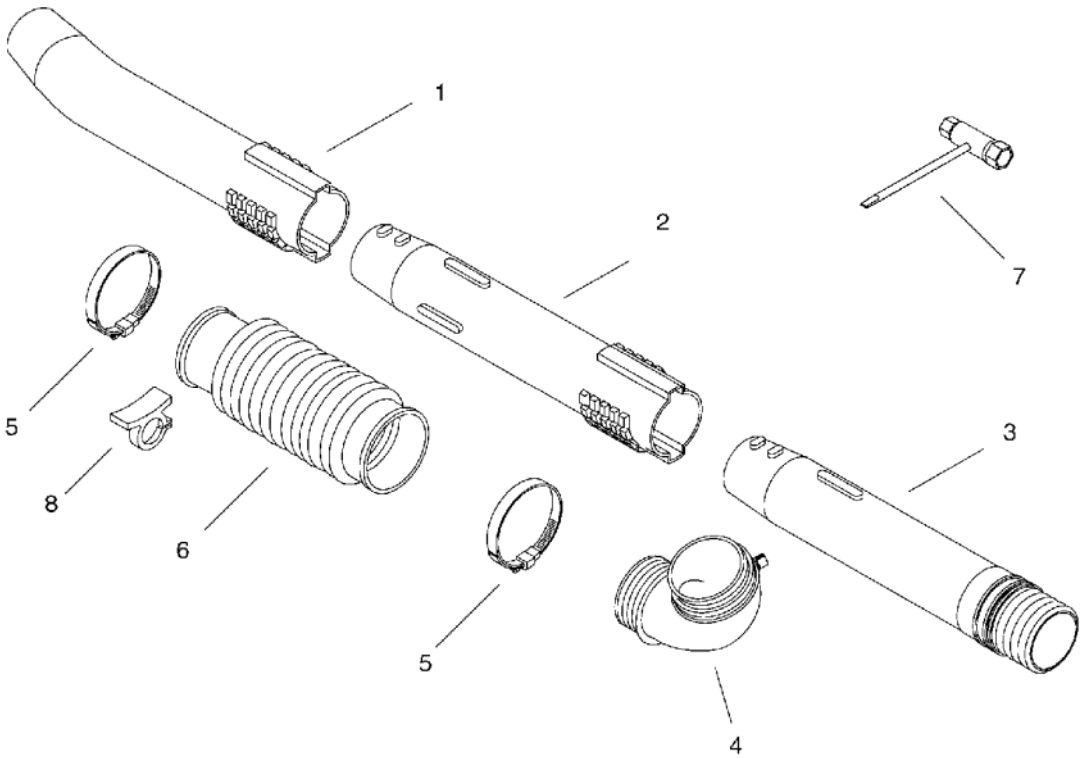
KEY	LV	PART NUMBER	Q'TY	DESCRIPTION	REMARKS	NOTE1	NOTE2
22		A190-000102	1	COVER,ENGINE			
23		900238-05018	5	SCREW 5*18	5*18		
24		X505-002310	1	LABEL,CAUTION	HOT CAUTION		
25		X503-007372	1	LABEL,MODEL	PB-620		

## 6. BACKPACK HARNESS



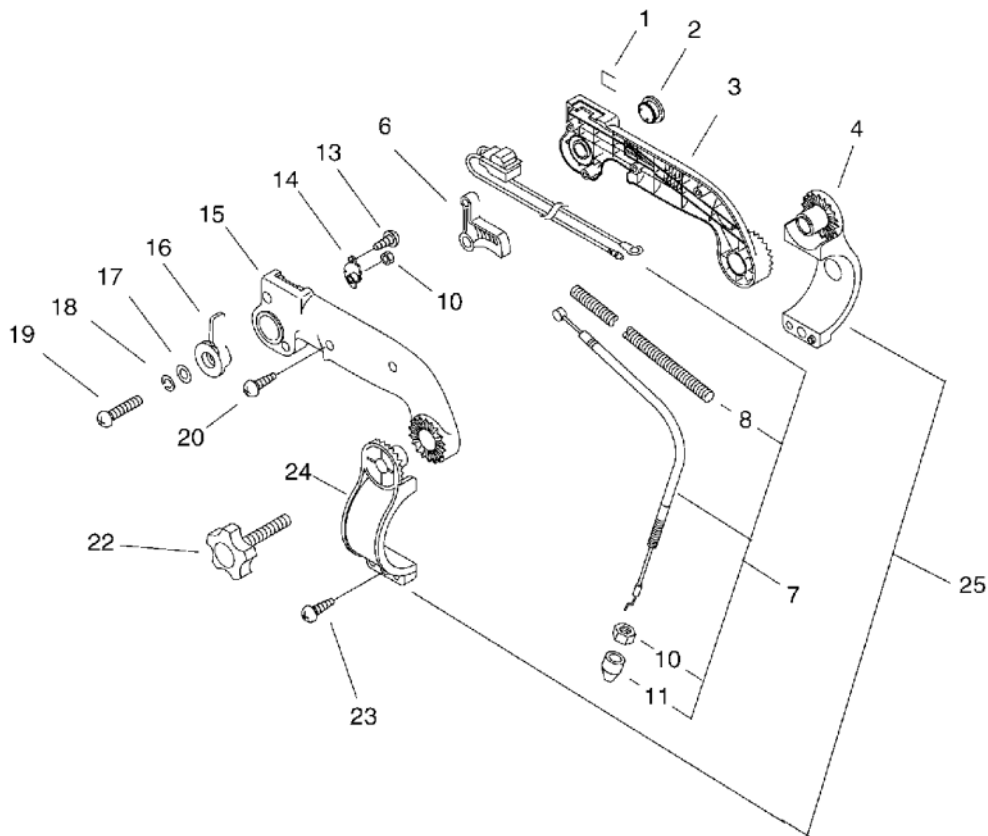
KEY	LV	PART NUMBER	Q'TY	DESCRIPTION	REMARKS	NOTE1	NOTE2
1		C061-000110	2	HARNESS,ASM BACKPACK			
1		C061-000111	2	HARNESS,ASM BACKPACK	ECHO SCREEN PRNT		
2		V491-000040	2	CLIP			
3		300105-08261	1	CUSHION, KNAPSACK			
4		V491-000120	5	CLIP			
5		900162-05020	4	BOLT, H.S. 5*20	5*20 W,SW		
6		V150-001350	2	PLATE,EYE			
7		91147-05020	2	BOLT HS FL TAPP			
8		C620-000212	1	FRAME,BACKPACK			
9		V456-000010	2	HOLDER,SPRING			
10		V450-000390	2	SPRING,COMPRESSION			
11		V263-000050	2	NUT,5			
12		V491-000110	2	CLIP	.308/.433 CABLE		
13		900253-05016	2	SCREW	5*16		
14		V401-000110	1	CUSHION,5			
15		613019-07350	2	WASHER 5.5*16*2T	5.5*16*2T		
16		900516-00005	2	NUT, FRANGE 5	5		
17		C622-000000	4	CONNECTOR,FRAME			
18		V304-000040	4	WASHER,CIRCULAR 6	6.6*20*1.6		
19		900105-06025	4	BOLT, H.S. 6*25	6*25		

7. PIPE



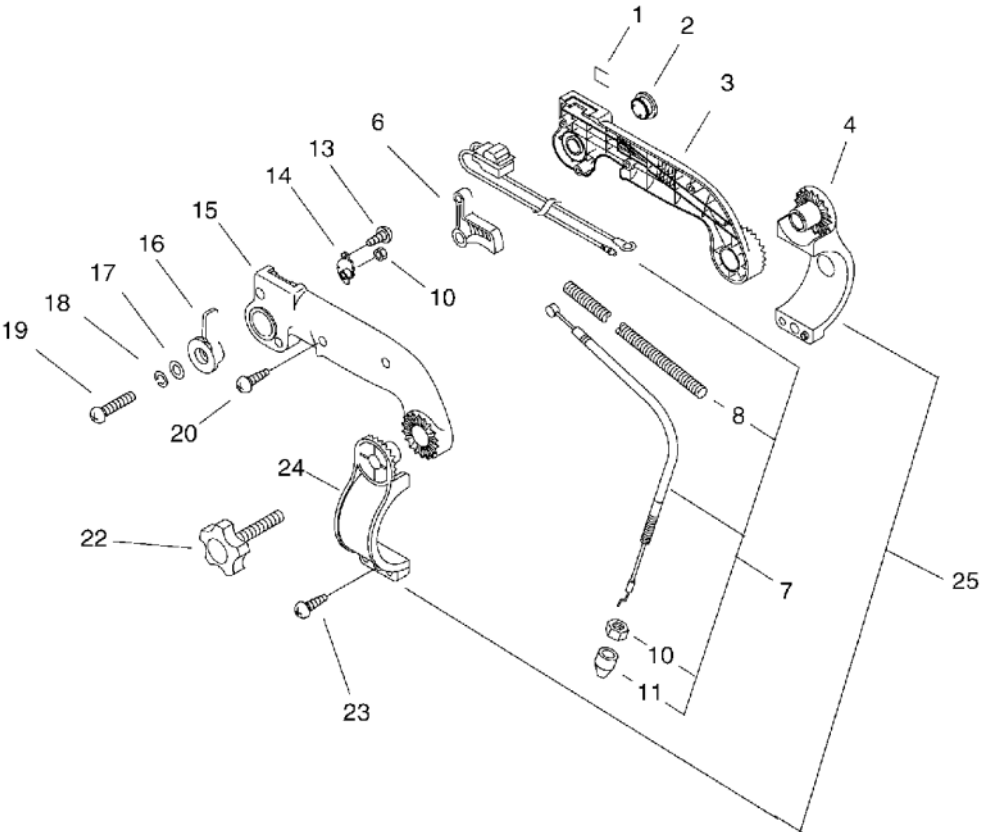
KEY	LV	PART NUMBER	Q'TY	DESCRIPTION	REMARKS	NOTE1	NOTE2
1		E165-000160	1	PIPE,BLOWER	418MM*65/79MM		
2		E165-000140	1	PIPE,BLOWER	418MM*73/79MM		
2		E165-000141	1	PIPE,BLOWER	418MM * 73/79MM		
3		E165-000130	1	PIPE,BLOWER	362MM*73/84MM		
4		E160-000061	1	PIPE,MAIN			
5		V495-000430	2	BAND	58.7MM / 82.5MM		
6		E164-000000	1	PIPE,FLEXIBLE			
7		895410-39131	1	WRENCH, W/S-DRIVER			
8		V491-000191	1	CLIP			

## 8. THROTTLE



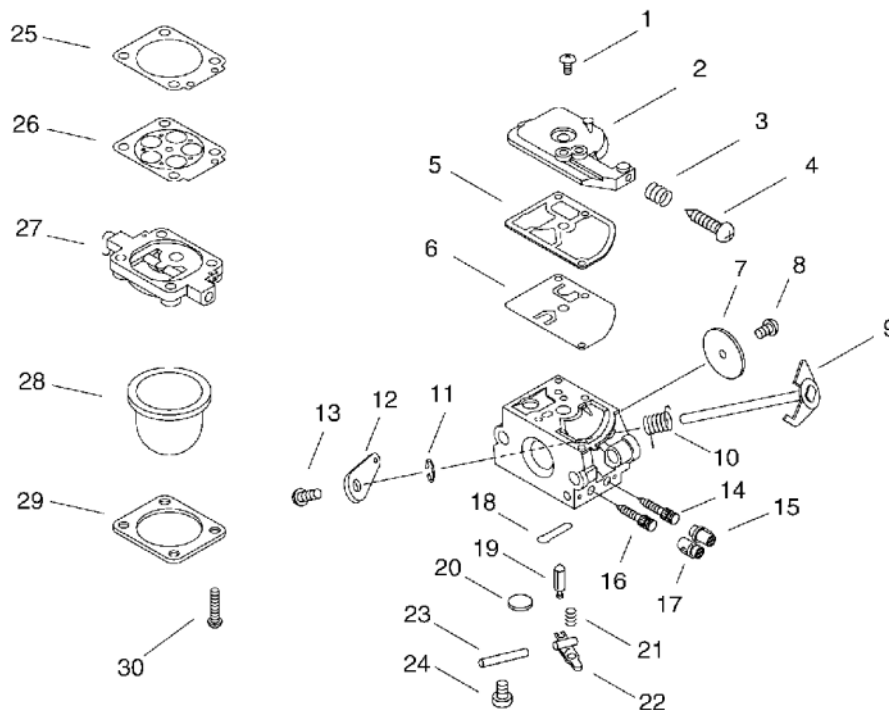
KEY	LV	PART NUMBER	Q'TY	DESCRIPTION	REMARKS	NOTE1	NOTE2
1		890157-06560	1	LABEL, SWITCH			
2		351146-07560	1	PLUG			
3		351311-07560	1	HANDLE, FRONT			
4		C405-000030	1	BRACKET,HANDLE			
5		178021-08260	1	NUT, THROTTLE ROD			
6		178010-07561	1	CONTROL, THROTTLE			
7		V043-000021	1	CABLE,ASM CONTROL			
8	+	V475-003210	1	TUBE	7*10*860		
10	+	900500-00006	1	NUT 6	6		
10		900500-00006	1	NUT 6	6		
11	+	178082-08260	1	CAP			
12		178121-09860	2	BAND			
13		900245-04010	1	SCREW 4*10	4*10		
14		178123-07561	1	BRACKET, THROTTLE			
15		351315-07560	1	HANDLE, FRONT			
16		178054-07560	1	CONTRTOL, THROTTLE			
17		900603-00006	1	WASHER 6	6.5*13*1		
18		900605-00006	1	WASHER, SPRING 6	6		
19		900235-06020	1	SCREW 6*20	6*20		
20		900256-04022	4	SCREW 4*22	4*22		
21		178516-07560	1	WASHER 6			
22		305812-08260	1	KNOB, FASTENER			
23		900253-05020	1	SCREW 5*20	5*20		
24		C405-000020	1	BRACKET,HANDLE			
25		P021-013320	1	BRACKET KIT,HANDLE			
4	+	C405-000240	1	BRACKET,HANDLE	RIGHT SIDE		

8. THROTTLE



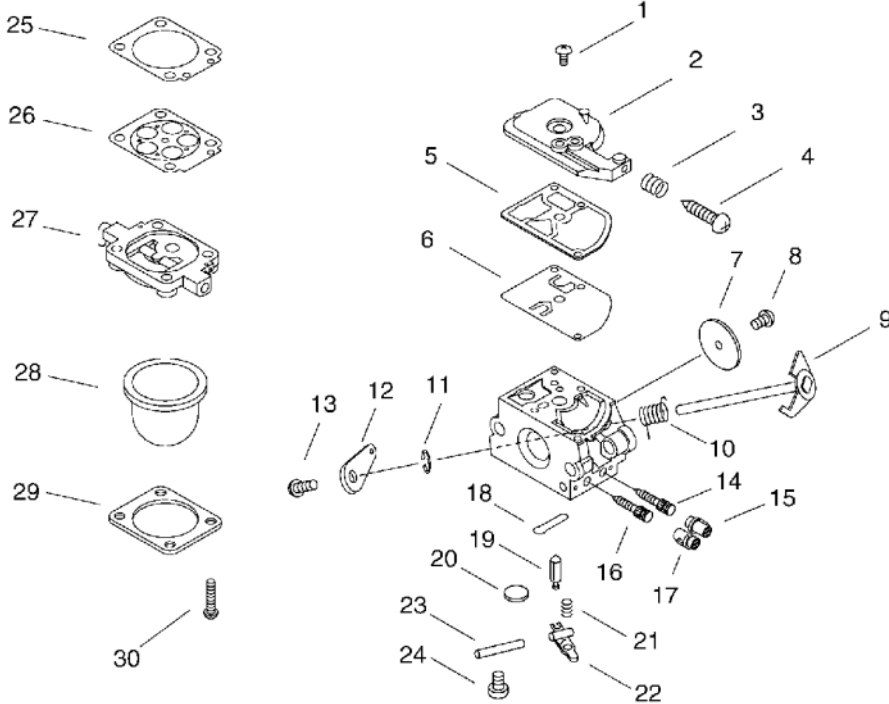
KEY	LV	PART NUMBER	Q'TY	DESCRIPTION	REMARKS	NOTE1	NOTE2
24	+	C405-000230	1	BRACKET,HANDLE	LEFT SIDE		

## 9. CARBURETOR



KEY	LV	PART NUMBER	Q'TY	DESCRIPTION	REMARKS	NOTE1	NOTE2
		A021-000771	1	CARBURETOR,DIAPHRAGM	C1M-K76		
1	+	125310-13930	1	SCREW			
2	+	125324-08360	1	COVER, PUMP			
3	+	125333-08560	1	SPRING,ADJUST SCREW			
4	+	125344-08560	1	SCREW			
5	+	125325-08360	1	GASKET, PUMP			
6	+	125312-08660	1	DIAPHRAGM, FUEL PUMP			
7	+	125316-13930	1	VALVE, THROTTLE			
8	+	125314-13930	1	SCREW	3*4		
9	+	P005-002040	1	SHAFT ASY,THROTTLE			
10	+	125313-08360	1	SPRING, THRT. RETURN			
11	+	125327-13930	1	CLIP			
12	+	125350-08360	1	LEVER, THROTTLE			
13	+	125348-13930	1	SCREW			
14	+	P005-001600	1	SCREW, IDLE MIXTURE			
15	+	125329-09860	1	LIMITER, MIXTURE			
16	+	P005-001590	1	SCREW,MAINN MIXTURE			
17	+	125329-39030	1	LIMITER, MIXTURE			
18	+	125345-08360	1	PLUG, WELCH			
19	+	125337-08260	1	VALVE, INLET NEEDLE			
20	+	125326-08360	1	STRAINER			
21	+	125322-13930	1	SPRING, COIL			
22	+	125323-08260	1	ARM, VALVE			
23	+	125338-13930	1	PIN, METERING ARM			
24	+	125339-13930	1	SCREW			
25	+	125340-34530	1	GASKET, DIAPHRAGM			

9. CARBURETOR



KEY	LV	PART NUMBER	Q'TY	DESCRIPTION	REMARKS	NOTE1	NOTE2
26	+	125341-08360	1	DIAPHRAGM			
27	+	P005-000610	1	BASE, PRIMER			
28	+	125381-08660	1	PUMP, PRIMING			
29	+	P005-000620	1	RETAINER			
30	+	P005-000980	4	SCREW			

10. REPAIR KIT

KEY	LV	PART NUMBER	Q'TY	DESCRIPTION	REMARKS	NOTE1	NOTE2
		125303-08360	1	GASKET/DIAPHRAGM KIT			
1	+	125325-08360	1	GASKET, PUMP			
2	+	125312-08660	1	DIAPHRAGM, FUEL PUMP			
3	+	125340-34530	1	GASKET, DIAPHRAGM			
4	+	125341-08360	1	DIAPHRAGM			



**Index**

<b>Patrs Number</b>	<b>Key No.</b>	<b>Patrs Number</b>	<b>Key No.</b>	<b>Patrs Number</b>	<b>Key No.</b>
100011-08360	1 - 10	131205-19831	4 - 21	895410-39131	7 - 7
100012-12330	1 - 13	131314-06320	4 - 6	900105-05060	3 - 4
100013-06210	1 - 11	131600-09861	4 - 1	900105-05060	5 - 12
100013-06210	1 - 11	132010-08260	4 - 15	900105-06020	2 - 33
100015-00120	1 - 12	132011-08260	4 - 14	900105-06025	6 - 19
100204-08261	1 - 16	132013-26630	4 - 19	900106-05020	2 - 32
100213-00310	1 - 18	132015-08260	4 - 13	900162-05020	5 - 8
100215-03930	1 - 21	132016-08260	4 - 16	900162-05020	6 - 5
100242-10721	1 - 19	132021-08260	4 - 17	900162-05022	1 - 3
101010-06211	1 - 5	132115-02960	4 - 18	900162-05025	3 - 11
101514-08260	1 - 8	145510-06211	2 - 31	900162-05032	1 - 22
104913-08360	5 - 11	145862-06720	2 - 30	900162-05040	1 - 17
125303-08360	10 -	145866-04261	2 - 29	900163-04018	2 - 24
125310-13930	9 - 1	151112-04630	1 - 23	900209-05020	4 - 11
125312-08660	9 - 6	156111-06160	2 - 8	900235-06020	8 - 19
125312-08660	10 - 2	156601-08360	2 - 6	900238-04010	2 - 27
125313-08360	9 - 10	156800-06161	2 - 4	900238-05010	1 - 7
125314-13930	9 - 8	159010-10230	2 - 11	900238-05018	1 - 25
125316-13930	9 - 7	159012-10230	2 - 9	900238-05018	2 - 5
125322-13930	9 - 21	159016-05330	2 - 10	900238-05018	5 - 23
125323-08260	9 - 22	159129-08260	1 - 24	900238-05025	5 - 19
125324-08360	9 - 2	159129-08261	1 - 24	900238-05040	5 - 17
125325-08360	9 - 5	177214-40630	2 - 18	900245-04010	8 - 13
125325-08360	10 - 1	177227-42030	2 - 22	900246-03012	5 - 10
125326-08360	9 - 20	177228-01110	2 - 23	900253-05016	5 - 3
125327-13930	9 - 11	177236-06910	2 - 17	900253-05016	5 - 3
125329-09860	9 - 15	178010-07561	8 - 6	900253-05016	6 - 13
125329-39030	9 - 17	178021-08260	8 - 5	900253-05020	8 - 23
125333-08560	9 - 3	178054-07560	8 - 16	900253-05030	5 - 6
125337-08260	9 - 19	178082-08260	8 - 11	900256-04022	8 - 20
125338-13930	9 - 23	178101-08260	5 - 18	900319-30070	4 - 2
125339-13930	9 - 24	178121-09860	8 - 12	900323-03014	1 - 15
125340-34530	9 - 25	178121-43230	4 - 22	900500-00006	8 - 10
125340-34530	10 - 3	178123-07561	8 - 14	900500-00006	8 - 10
125341-08360	9 - 26	178127-03460	4 - 12	900501-00010	2 - 1
125341-08360	10 - 4	178516-07560	8 - 21	900516-00005	4 - 10
125344-08560	9 - 4	200005-08261	5 - 9	900516-00005	5 - 15
125345-08360	9 - 18	200111-08265	5 - 7	900516-00005	6 - 16
125348-13930	9 - 13	200111-08266	5 - 7	900600-00003	4 - 4
125350-08360	9 - 12	300105-08261	6 - 3	900600-00005	5 - 13
125381-08660	9 - 28	305812-08260	8 - 22	900602-00010	2 - 3
130007-08261	3 - 12	351146-07560	8 - 2	900603-00006	8 - 17
130010-21262	3 - 10	351311-07560	8 - 3	900605-00006	8 - 18
130016-03731	3 - 8	351315-07560	8 - 15	900605-00010	2 - 2
130016-06211	1 - 6	613019-07350	6 - 15	900810-36202	1 - 20
131010-08266	4 - 9	890157-06560	8 - 1	91147-05020	6 - 7
131016-21060	4 - 8	890158-08261	3 - 7	94036-46202	1 - 20
131051-27230	4 - 3	890160-09461	5 - 14	A011-000340	1 - 14
131053-03060	4 - 5	890560-90660	5 - 21	A021-000770	3 - 9

**Index**

<b>Patrs Number</b>	<b>Key No.</b>	<b>Patrs Number</b>	<b>Key No.</b>	<b>Patrs Number</b>	<b>Key No.</b>
A021-000771	3 - 9	P022-005910	2 - 19		
A021-000771	9 -	P022-010580	2 - 21		
A051-000930	2 - 16	V043-000021	8 - 7		
A052-000042	2 - 12	V103-000000	3 - 13		
A130-000570	1 - 4	V150-001350	6 - 6		
A160-000450	1 - 1	V263-000050	6 - 11		
A161-000071	5 - 4	V299-000290	3 - 1		
A190-000102	5 - 22	V304-000040	6 - 18		
A226-000032	3 - 3	V340-000210	3 - 15		
A244-000020	3 - 5	V401-000110	6 - 14		
A313-000240	2 - 28	V450-000390	6 - 10		
A313-000240	2 - 28	V456-000010	6 - 9		
A313-000240	2 - 28	V471-000770	4 - 20		
A322-000000	5 - 20	V475-003210	8 - 8		
A358-000000	4 - 7	V485-000190	2 - 7		
C061-000110	6 - 1	V491-000040	6 - 2		
C061-000111	6 - 1	V491-000110	6 - 12		
C405-000020	8 - 24	V491-000120	5 - 1		
C405-000030	8 - 4	V491-000120	6 - 4		
C405-000230	8 - 24	V491-000191	7 - 8		
C405-000240	8 - 4	V495-000430	7 - 5		
C617-000230	5 - 5	X502-000460	2 - 25		
C620-000212	6 - 8	X503-007372	5 - 25		
C622-000000	6 - 17	X505-002310	5 - 24		
E103-000103	5 - 16				
E103-000104	5 - 16				
E103-000105	5 - 16				
E103-000106	5 - 16				
E104-000061	5 - 2				
E160-000061	7 - 4				
E164-000000	7 - 6				
E165-000130	7 - 3				
E165-000140	7 - 2				
E165-000141	7 - 2				
E165-000160	7 - 1				
P005-000610	9 - 27				
P005-000620	9 - 29				
P005-000980	9 - 30				
P005-001590	9 - 16				
P005-001600	9 - 14				
P005-002040	9 - 9				
P021-001833	2 - 26				
P021-007450	1 - 9				
P021-013320	8 - 25				
P021-014431	3 - 14				
P022-002100	2 - 13				
P022-003120	2 - 15				
P022-003130	2 - 14				
P022-004680	2 - 20				

# YAMABIKO CORPORATION

7-2 SUEHIROCHO 1-CHOME, OHME, TOKYO 198-8760, JAPAN  
PHONE: 81-428-32-6118. FAX: 81-428-32-6145.



G03b  
No. 63-054