



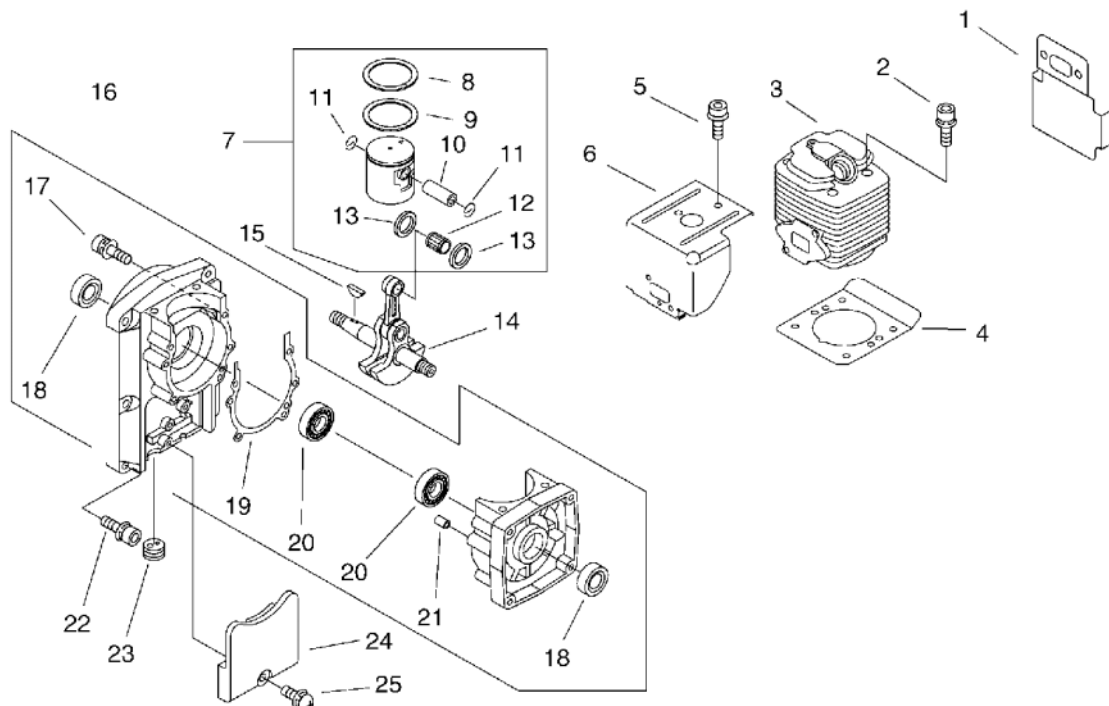
PARTS CATALOGUE

BACKPACK BLOWER

PB-655(36)

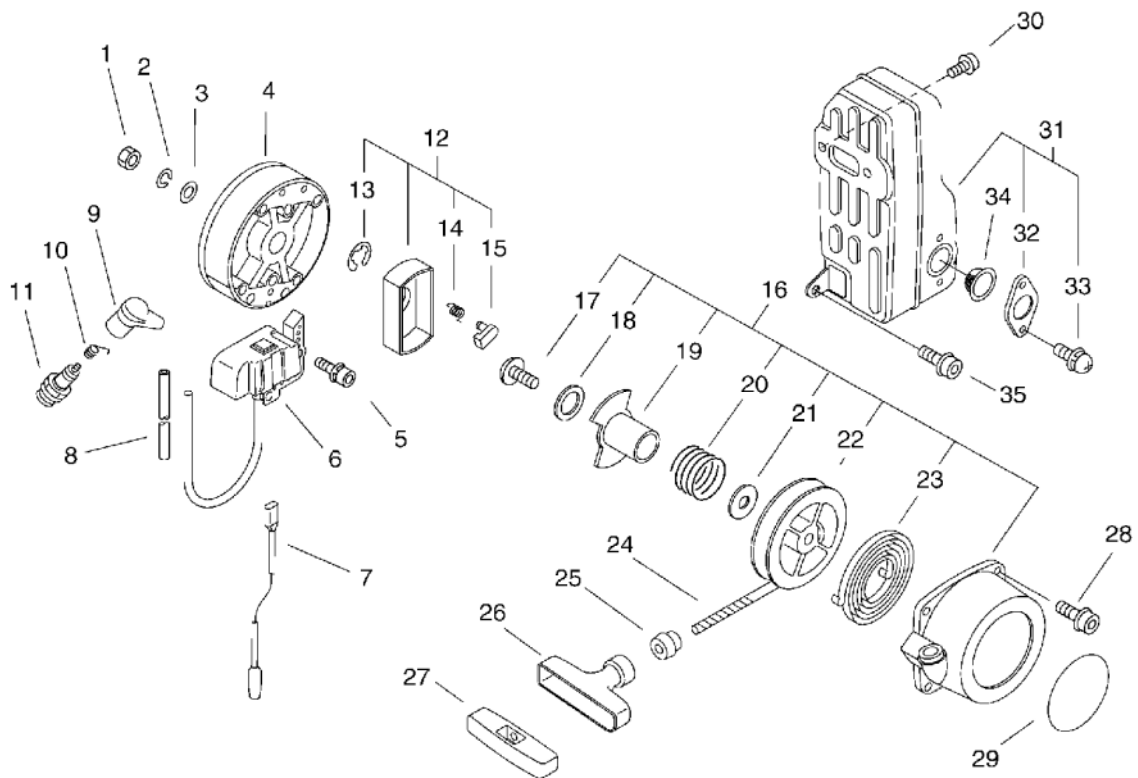
36013501 -

1. CYLINDER, CRANKCASE, PISTON



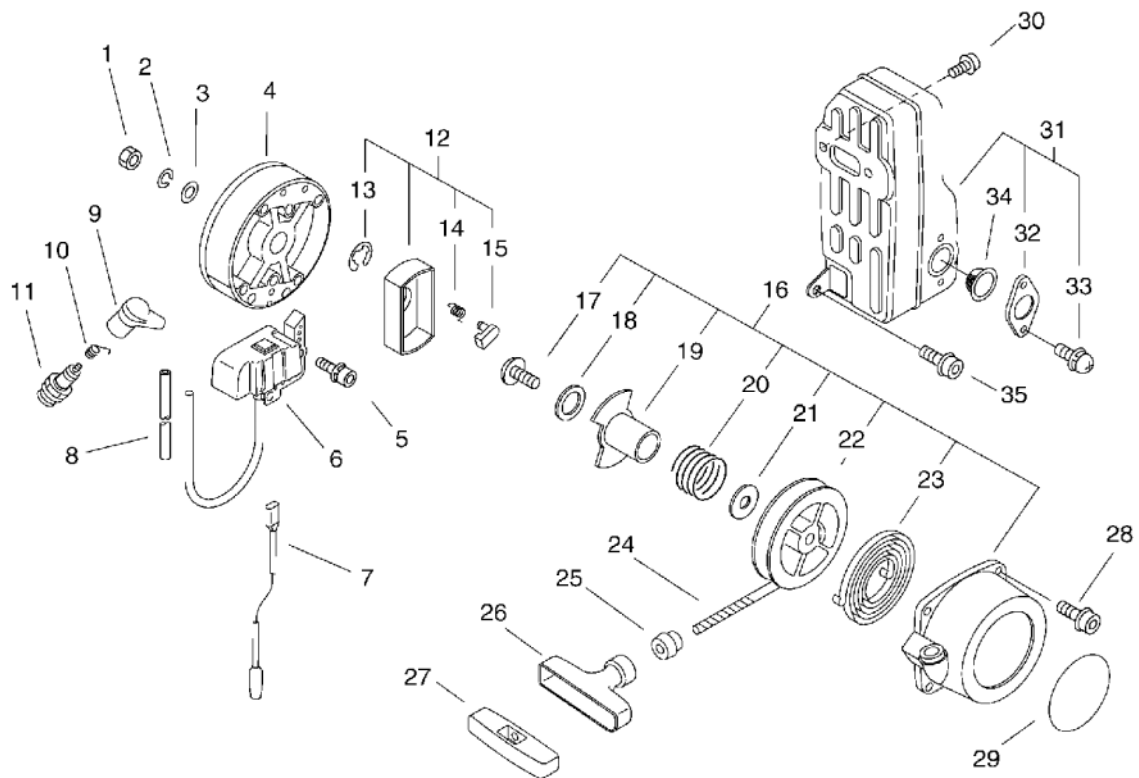
KEY	LV	PART NUMBER	Q'TY	DESCRIPTION	REMARKS	NOTE1	NOTE2
1		V104-000720	1	GASKET,EXHAUST			
2		900162-05025	4	BOLT, H.S. 5*25	5*25 W,SW		
3		A130-001000	1	CYLINDER	48 4TW		
4		V100-000100	1	GASKET,CYL			
5		900106-05008	2	BOLT, H.S. 5* 8	5*8		
6		A160-000340	1	COVER,CYLINDER			
7		P021-002983	1	PISTON KIT			
8	+	A101-000030	1	RING,PISTON			
9	+	A101-000020	1	RING,PISTON			
10	+	V608-000010	1	PIN,ENG 10	6*10*40		
11	+	100015-00120	2	CIRCLIP, PISTON PIN			
12	+	V555-000010	1	BEARING,NEEDLE 10			
13	+	V307-000060	2	WASHER,CIRCULAR 10			
14		A011-000140	1	CRANKSHAFT,ASM			
15		900323-03014	1	KEY WOODRUFF	3*14		
16		P021-002991	1	CRANKCASE KIT			
17	+	900162-05035	4	BOLT, H.S. 5*35	5*35 W,SW		
18	+	V508-000010	2	SEAL,OIL 15	ISCD 15*25*7		
19	+	V102-000010	1	GASKET,CRANKCASE			
20	+	94032-36302	2	BEARING BALL	BB-6302		
21	+	100215-03930	2	PIN, DOWEL			
22		900162-06035	6	BOLT, H.S. 6*35	6*35 W,SW		
23		151112-04630	1	BUSHING			
24		159129-08261	1	COVER, DUST			
25		900162-05022	1	BOLT, H.S. 5*22	5*22 W,SW		

2. STARTER, MAGNETO, MUFFLER



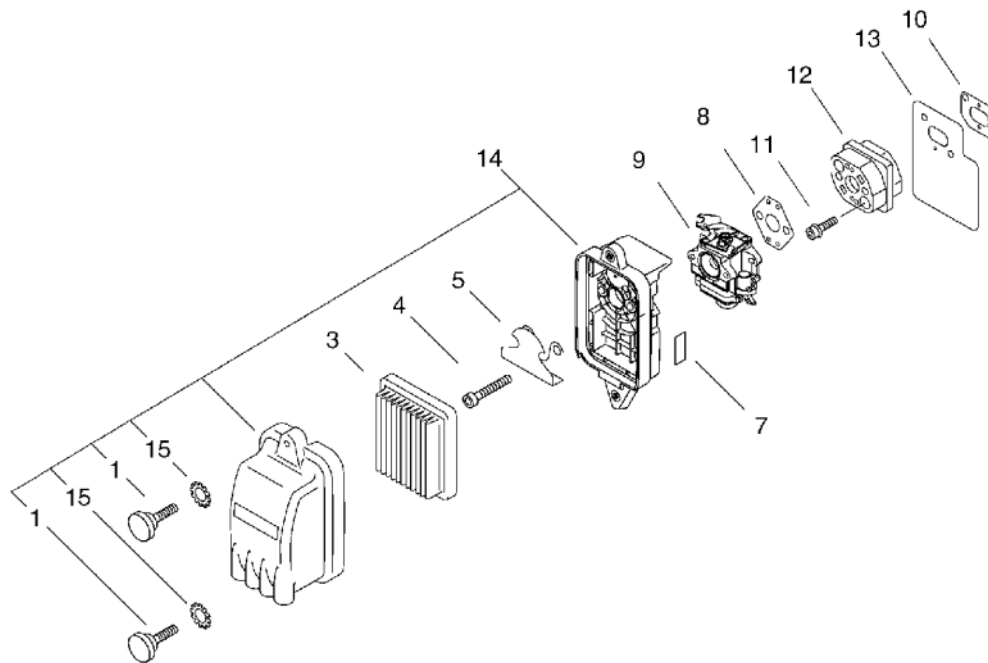
KEY	LV	PART NUMBER	Q'TY	DESCRIPTION	REMARKS	NOTE1	NOTE2
1		900501-00010	1	NUT 10*1.25	10*P1.25		
2		900605-00010	1	WASHER, SPRING 10	10		
3		900602-00010	1	WASHER 10(10.5*21*2)	10.5*21*2		
4		A409-000250	1	ROTOR, MAGNETO	VAMAG ID C9014		
5		900162-05022	2	BOLT, H.S. 5*22	5*22 W,SW		
6		A415-000000	1	MODULE, CDI			
7		V485-000190	1	LEAD			
8		156111-06160	1	TUBE 6.3*8*380	6.3*8*380		
9		159012-03433	1	CAP, SPARK PLUG			
10		159011-03432	1	COIL, SPARK PLUG			
11		A425-000000	1	SPARKPLUG	BPMR8Y		
12		A052-000042	1	PULLEY, ASM STARTER			
13	+	P022-002100	2	E-RING	4		
14	+	P022-003130	2	SPRING, RETURN			
15	+	P022-003120	2	PAWL, STARTER			
16		A051-000841	1	STARTER, RECOIL			
17	+	177236-61830	1	SCREW			
18	+	P022-010250	1	WASHER, THRUST			
19	+	P022-010221	1	PLATE, FRICTION			
20	+	P022-010231	1	SPRING, FRICTION			
21	+	P022-010240	1	WASHER			
22	+	P022-010280	1	DRUM, STARTER			
23	+	P022-004680	1	SPRING, SPIRAL			
24	+	P022-010270	1	ROPE			
25	+	177227-42030	1	GUIDE, ROPE			

2. STARTER, MAGNETO, MUFFLER



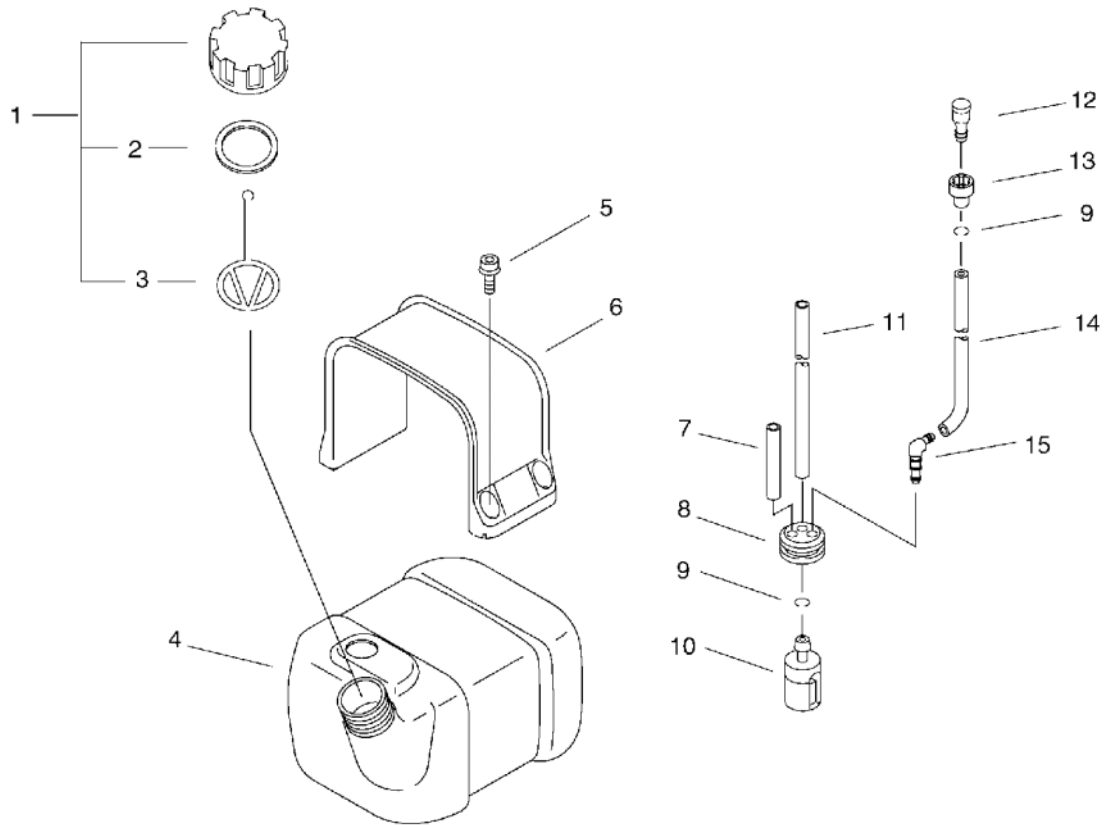
KEY	LV	PART NUMBER	Q'TY	DESCRIPTION	REMARKS	NOTE1	NOTE2
26	+	177228-11620	1	GRIP, STARTER			
27	+	P022-010260	1	CAP, GRIP			
28		900106-05014	4	BOLT, H.S. 5*14	5*14		
29		X502-000460	1	LABEL,ECHO			
30		91107-06020	2	BOLT HSH FLANGE	M6*20		
32	+	A313-000310	1	GUIDE,EXH			
33	+	91367-04010	2	SCREW	4*10/SW(SUS)		
34		A310-000000	1	SCREEN,ARRESTOR			
35		900106-05014	1	BOLT, H.S. 5*14	5*14		

3. AIR CLEANER, CARBURETOR



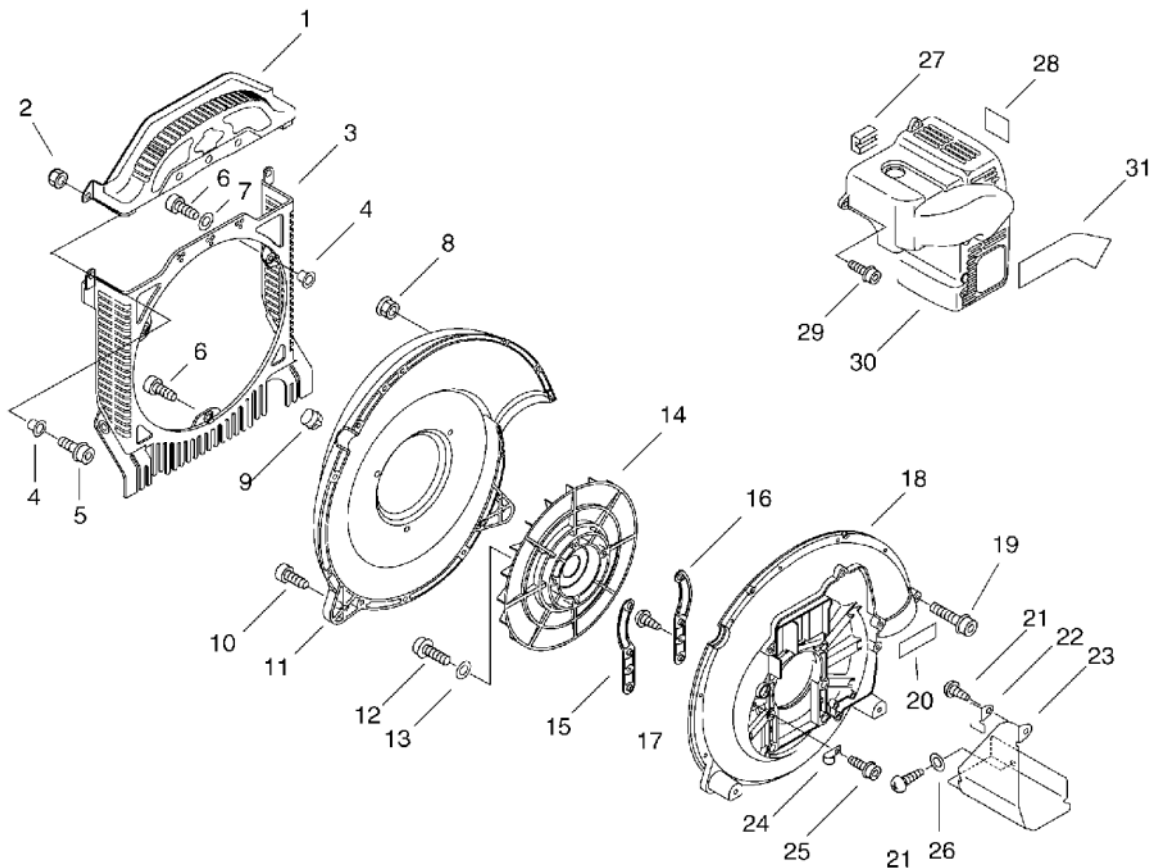
KEY	LV	PART NUMBER	Q'TY	DESCRIPTION	REMARKS	NOTE1	NOTE2
3		A226-000032	1	ELEMENT,AIR FILTER			
4		900105-05060	2	BOLT, H.S. 5*60	5*60		
5		A244-000040	1	PLATE,PREVENT			
7		890332-52730	1	LABEL, CHOKE			
8		V103-000080	1	GASKET,INTAKE			
9		A021-000810	1	CARBURETOR,DIAPHRAGM	WYK-192		
9		A021-000811	1	CARBURETOR,DIAPHRAGM	WYK-192		
10		V103-000140	1	GASKET,INTAKE			
11		900106-05025	2	BOLT, H.S. 5*25	5*25		
12		A200-000070	1	INSULATOR,INTAKE			
13		V103-000130	1	GASKET,INTAKE			
14		P021-014431	1	CLEANER KIT, AIR			
1	+	V299-000290	2	KNOB,FASTENER	1 KNOB M5X0.8		
15	+	V340-000210	2	WASHER	5.6*11.3		

4. FUEL TANK



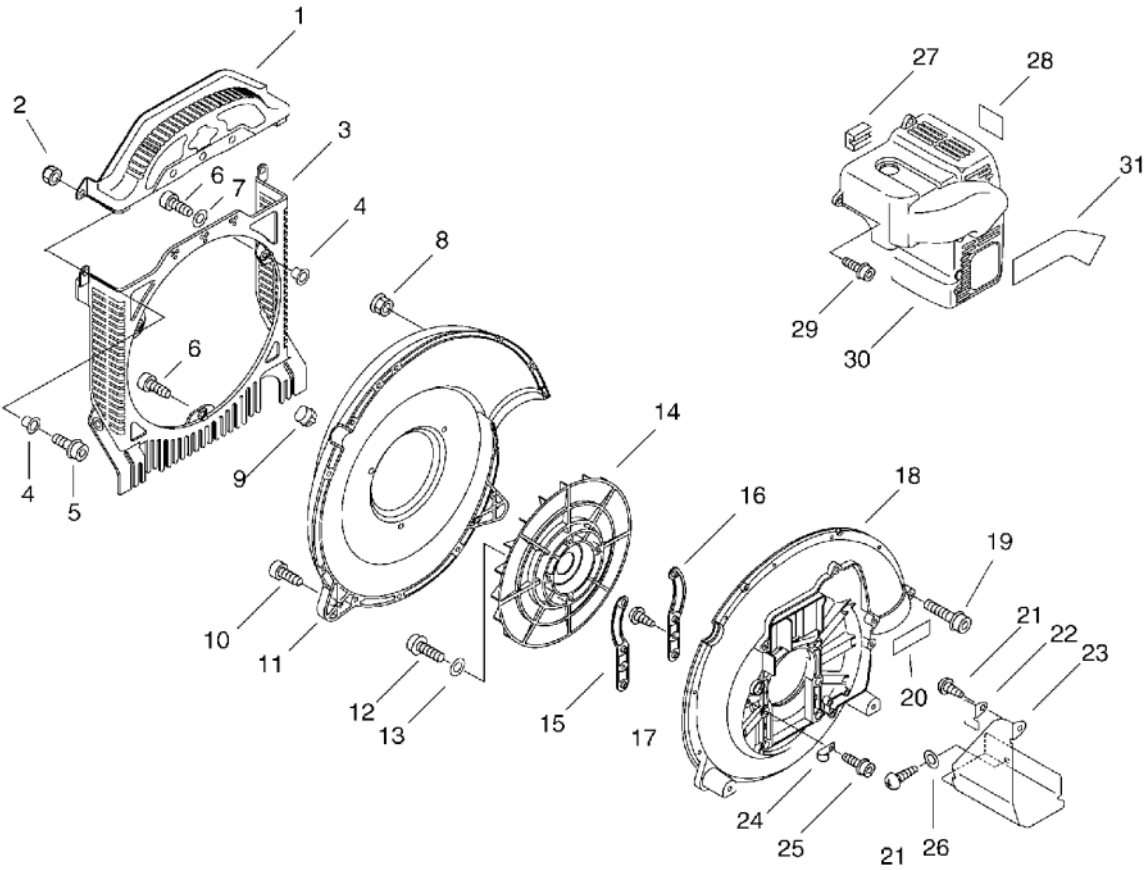
KEY	LV	PART NUMBER	Q'TY	DESCRIPTION	REMARKS	NOTE1	NOTE2
1		131004-55530	1	CAP ASSY, FUEL TANK			
2	+	131016-55830	1	GASKET, FUEL CAP			
3	+	131051-56030	1	CLIP, FUEL CAP	100L		
4		A350-000151	1	TANK,FUEL			
5		900106-05016	4	BOLT, H.S. 5*16	5*16		
6		A392-000000	1	BAND,FUEL TANK			
7		V471-000550	1	PIPE	3*6*145		
8		132115-55930	1	GROMMET, FUEL			
9		132013-26630	2	CLIP	6.5MM		
10		131205-19831	1	STRAINER, FUEL			
11		132010-35430	1	PIPE 3*6*230	3*6*230		
12		A356-000030	1	VALVE,CHECK			
13		131328-40630	1	COVER, VENT			
14		V471-000610	1	PIPE	3*6*145		
15		V186-000080	1	JOINT,PIPE			

5. FAN CASE



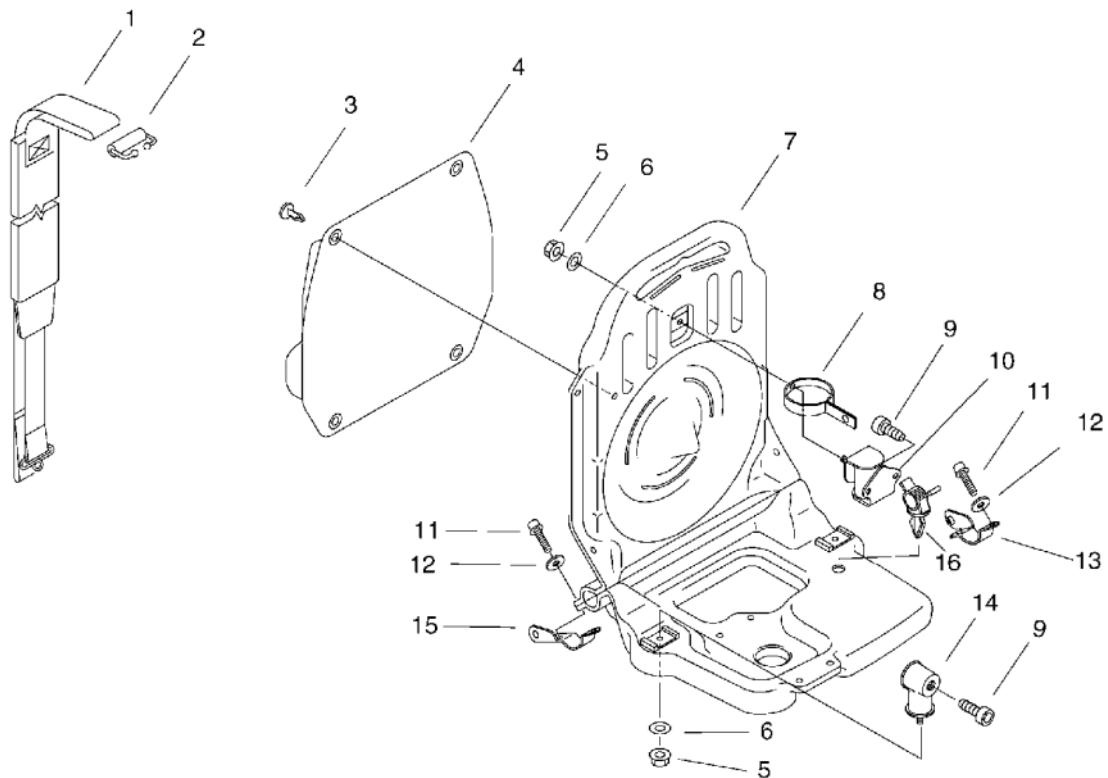
KEY	LV	PART NUMBER	Q'TY	DESCRIPTION	REMARKS	NOTE1	NOTE2
1		E104-000041	1	GRID,BLOWER			
2		900562-50005	4	LOCKNUT 5	5		
3		E104-000051	1	GRID,BLOWER			
4		104915-08260	6	SPACER			
5		900106-05020	4	BOLT, H.S. 5*20	5*20		
6		91145-05020	4	BOLT HS TAPPING	5*20		
7		613019-07350	2	WASHER 5.5*16*2T	5.5*16*2T		
8		900516-00005	2	NUT, FRANGE 5	5		
9		E109-000010	1	LID,FANCASE			
10		91145-05020	12	BOLT HS TAPPING	5*20		
11		E103-000350	1	CASE,FAN			
12		900105-06035	4	BOLT, H.S. 6*35	6*35		
13		145642-06230	4	WASHER			
14		E100-000042	1	FAN,BLOWER			
15		C632-000042	1	PLATE,ENG			
16		C632-000052	1	PLATE,ENG			
17		900246-05014	2	SCREW 5*14	5*14		
18		E103-000341	1	CASE,FAN			
19		900105-05060	2	BOLT, H.S. 5*60	5*60		
20		890160-09461	1	LABEL, CAUTION			
21		900253-05010	2	SCREW 5*10	5*10		
22		V152-000770	1	PLATE,ANGLE			
23		A322-000020	1	INSULATOR,MUFFLER			
24		178111-22330	1	CLIP			
25		91145-05016	1	BOLT HS TAPPING	5*16		
26		900603-00005	1	WASHER 5	5.5*12*0.8		

5. FAN CASE



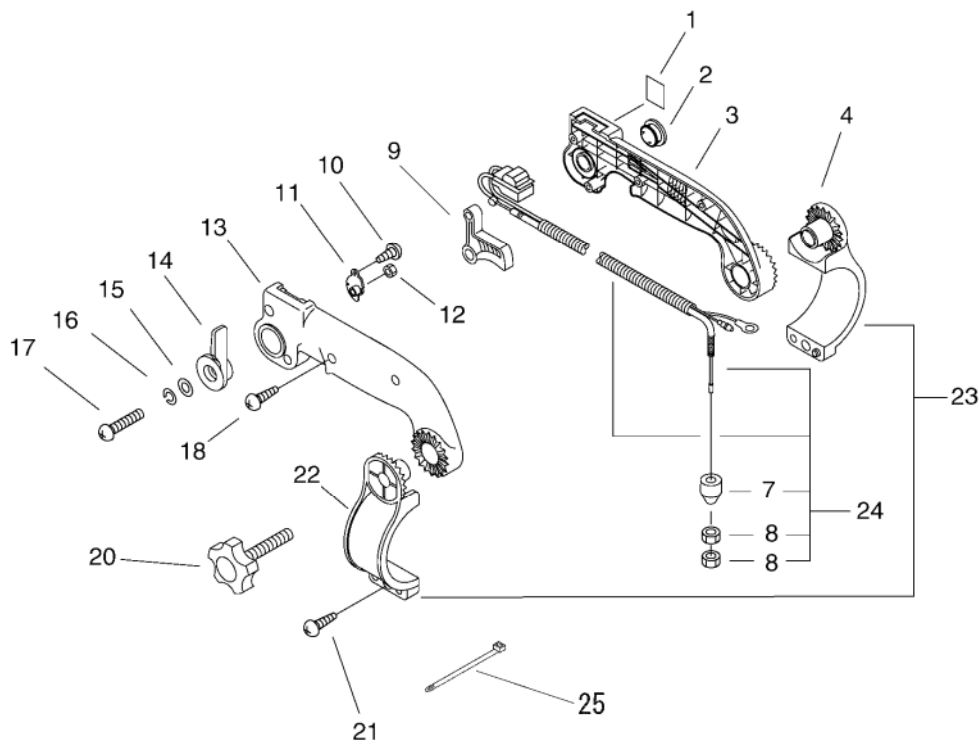
KEY	LV	PART NUMBER	Q'TY	DESCRIPTION	REMARKS	NOTE1	NOTE2
27		V420-000570	1	CUSHION			
28		X505-002310	1	LABEL,CAUTION	HOT CAUTION		
30		A190-000111	1	COVER,ENGINE			
31		X503-007451	1	LABEL,MODEL	PB-655 EU		

6. BACKPACK HARNESS



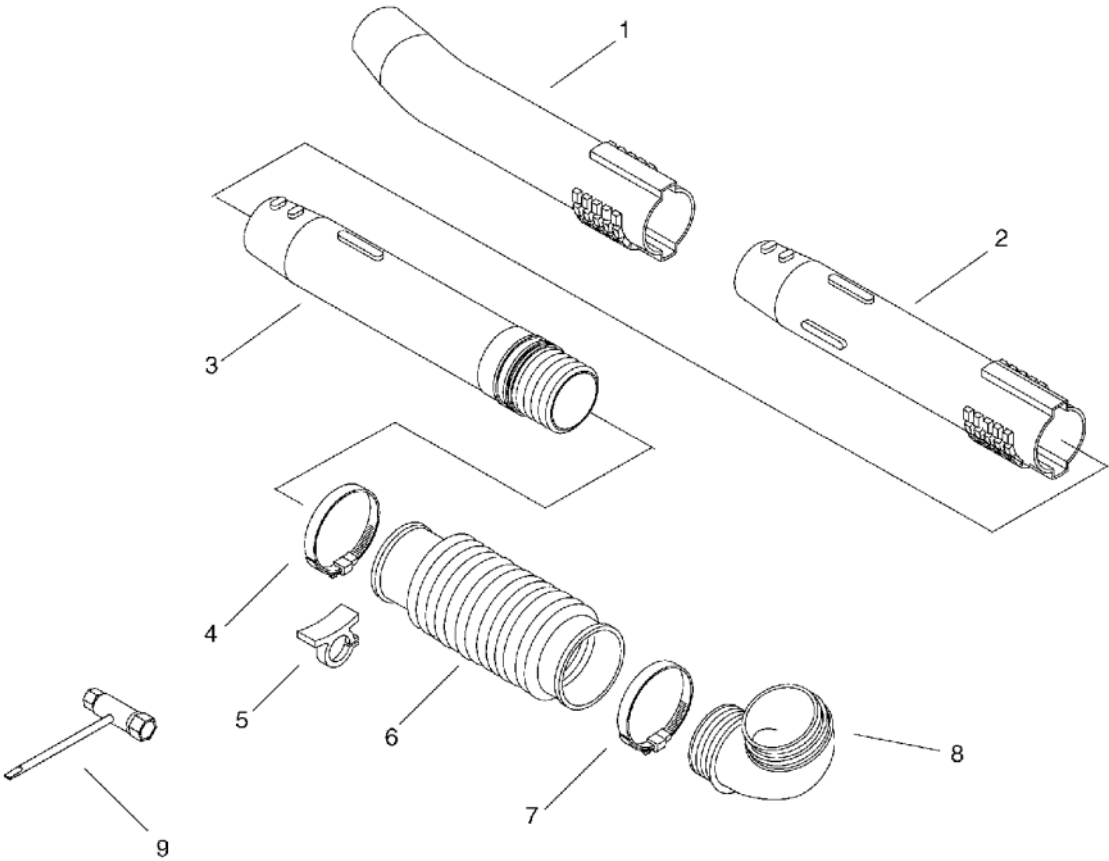
KEY	LV	PART NUMBER	Q'TY	DESCRIPTION	REMARKS	NOTE1	NOTE2
1		C061-000111	2	HARNESS,ASM BACKPACK	ECHO SCREEN PRNT		
2		V491-000040	2	CLIP			
3		V491-000120	4	CLIP			
4		300105-08261	1	CUSHION, KNAPSACK			
5		900516-00005	3	NUT, FRANGE 5	5		
6		613019-07350	3	WASHER 5.5*16*2T	5.5*16*2T		
7		C066-000004	1	FRAME,ASM BACKPACK			
8		C617-000150	1	STOPPER			
9		91145-05016	4	BOLT HS TAPPING	5*16		
10		100905-08261	1	CUSHION			
11		900105-05020	4	BOLT, H.S. 5*20	5*20		
12		613019-07350	4	WASHER 5.5*16*2T	5.5*16*2T		
13		C626-000010	1	FIXTURE,HARNESS			
14		V401-000070	2	CUSHION,5			
15		C626-000030	1	FIXTURE,HARNESS			
16		V491-000110	1	CLIP	.308/.433 CABLE		

7. THROTTLE



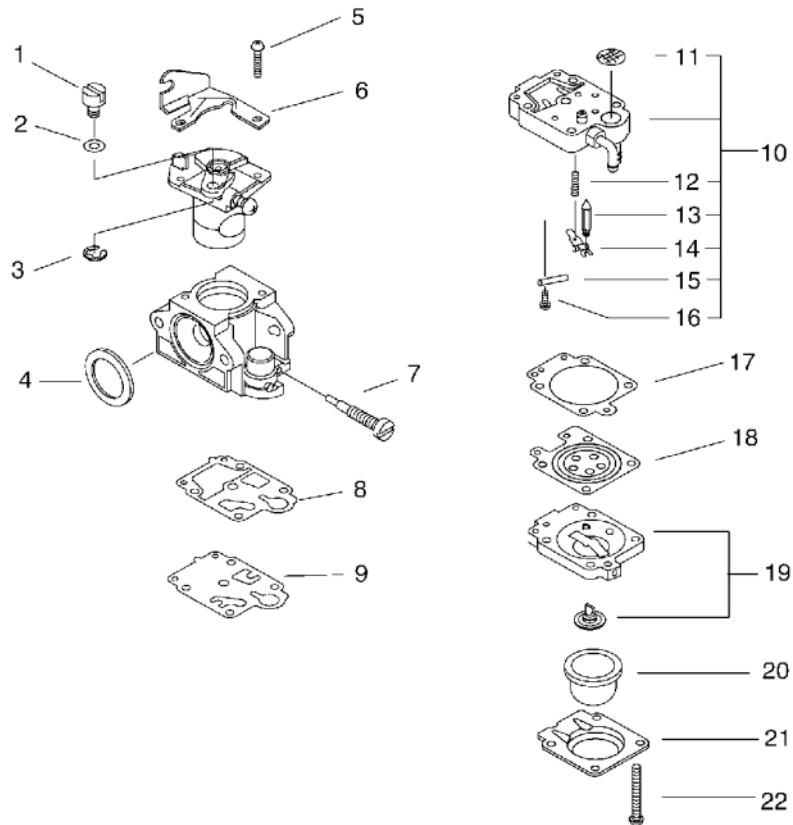
KEY	LV	PART NUMBER	Q'TY	DESCRIPTION	REMARKS	NOTE1	NOTE2
1		890157-06560	1	LABEL, SWITCH			
2		351146-07560	1	PLUG			
3		351311-07560	1	HANDLE, FRONT			
5		900500-00006	1	NUT 6	6		
24		V043-000081	1	CABLE ASY, CONTROL			
7	+	V494-000080	1	CAP			
8	+	900503-00006	2	NUT (3N 6*0.75)	3N 6*0.75		
9		178010-07561	1	CONTROL, THROTTLE			
10		900245-04010	1	SCREW 4*10	4*10		
11		178123-07561	1	BRACKET, THROTTLE			
12		900500-00006	1	NUT 6	6		
13		351315-07560	1	HANDLE, FRONT			
14		178054-07560	1	CONTRTOL, THROTTLE			
15		900603-00006	1	WASHER 6	6.5*13*1		
16		900605-00006	1	WASHER, SPRING 6	6		
17		900235-06020	1	SCREW 6*20	6*20		
18		900256-04022	4	SCREW 4*22	4*22		
20		305812-08260	1	KNOB, FASTENER			
21		900253-05020	1	SCREW 5*20	5*20		
4	+	C405-000240	1	BRACKET,HANDLE	RIGHT SIDE		
22	+	C405-000230	1	BRACKET,HANDLE	LEFT SIDE		
25		178121-43230	1	BAND	CV-150 BL		

8. PIPE



KEY	LV	PART NUMBER	Q'TY	DESCRIPTION	REMARKS	NOTE1	NOTE2
1		E165-000160	1	PIPE,BLOWER	418MM*65/79MM		
2		E165-000141	1	PIPE,BLOWER	418MM * 73/79MM		
3		E165-000130	1	PIPE,BLOWER	362MM*73/84MM		
4		V495-000430	1	BAND	58.7MM / 82.5MM		
5		V491-000191	1	CLIP			
6		E164-000060	1	PIPE,FLEXIBLE	ACT050324-A 9A		
7		V495-000440	1	BAND	77.8MM /101.6MM		
8		E160-000092	1	PIPE,MAIN			
9		895410-39131	1	WRENCH, W/S-DRIVER			

9. CARBURETOR



KEY	LV	PART NUMBER	Q'TY	DESCRIPTION	REMARKS	NOTE1	NOTE2
		A021-000810	1	CARBURETOR,DIAPHRAGM	WYK-192		
1	+	123172-45130	1	SWIVEL			
2	+	123149-54230	1	WASHER			
3	+	123173-07930	1	CLIP			
4	+	123143-12110	1	RING, PACKING			
5	+	123114-40630	2	SCREW			
6	+	P003-000180	1	BRACKET CABLE			
7	+	P003-001130	1	NEEDLE, HIGH SPEED			
8	+	123125-40630	1	GASKET, PUMP			
9	+	123112-40630	1	DIAPHRAGM, PUMP			
10	+	P003-000630	1	BODY ASSEMBLY, PUMP			
11	++	123126-10631	1	SCREEN, INLET			
12	++	123122-05560	1	SPRING, METER. LEVER			
13	++	123137-19830	1	VALVE, INLET NEEDLE			
14	++	123123-03930	1	LEVER, METERING			
15	++	123138-03930	1	PIN, METERING LEVER			
16	++	123139-05560	1	SCREW, M. LEVER PIN			
17	+	123140-05560	1	GASKET, M. DIAPHRAGM			
18	+	P003-000090	1	METERING, DIAPHRAGM			
19	+	123180-05560	1	BODY, AIR PURGE			
20	+	123181-40630	1	PUMP, PRIMER			
21	+	123142-05560	1	COVER, PRIMER PUMP			
22	+	123110-05560	4	SCREW, PUMP COVER			

10. DIAPHRAGM/GASKET KIT

KEY	LV	PART NUMBER	Q'TY	DESCRIPTION	REMARKS	NOTE1	NOTE2
		P003-000650	1	GASKET/DIAPHRAGM KIT	D21-WYK		
1	+	123143-12110	1	RING, PACKING			
2	+	123125-40630	1	GASKET, PUMP			
3	+	123112-40630	1	DIAPHRAGM, PUMP			
4	+	123140-05560	1	GASKET, M. DIAPHRAGM			
5	+	123183-54230	1	O-RING			
6	+	123183-12110	1	O-RING			
7	+	123143-12210	1	RING, PACKING			
8	+	123183-05960	1	O-RING			
9	+	123140-02960	1	GASKET, M. DIAPHRAGM			
10	+	123159-40630	1	GASKET, PLATE			
11	+	123141-03930	1	DIAPHRAGM, METERING			

11. REPAIR KIT

KEY	LV	PART NUMBER	Q'TY	DESCRIPTION	REMARKS	NOTE1	NOTE2
		P003-000660	1	REPAIR KIT	K21-WYK		
1	+	123143-12110	1	RING, PACKING			
2	+	123125-40630	1	GASKET, PUMP			
3	+	123112-40630	1	DIAPHRAGM, PUMP			
4	+	123126-10631	1	SCREEN, INLET			
5	+	123137-19830	1	VALVE, INLET NEEDLE			
6	+	123123-03930	1	LEVER, METERING			
7	+	123138-03930	1	PIN, METERING LEVER			
8	+	123140-05560	1	GASKET, M. DIAPHRAGM			
9	+	123183-54230	1	O-RING			
10	+	123183-12110	1	O-RING			
11	+	123143-12210	1	RING, PACKING			
12	+	123183-05960	1	O-RING			
13	+	123140-02960	1	GASKET, M. DIAPHRAGM			
14	+	123159-40630	1	GASKET, PLATE			
15	+	123141-03930	1	DIAPHRAGM, METERING			

12. GASKET KIT

KEY	LV	PART NUMBER	Q'TY	DESCRIPTION	REMARKS	NOTE1	NOTE2
		P021-005932	1	GASKET KIT			
1	+	V104-000720	1	GASKET,EXHAUST			
2	+	V100-000100	1	GASKET,CYL			
3	+	V102-000010	1	GASKET,CRANKCASE			
4	+	V103-000080	1	GASKET,INTAKE			
5	+	V103-000140	1	GASKET,INTAKE			
6	+	V103-000130	1	GASKET,INTAKE			

Index

Patrs Number	Key No.	Patrs Number	Key No.	Patrs Number	Key No.
100015-00120	1 - 11	131016-55830	4 - 2	900245-04010	7 - 10
100215-03930	1 - 21	131051-56030	4 - 3	900246-05014	5 - 17
100905-08261	6 - 10	131205-19831	4 - 10	900253-05010	5 - 21
104915-08260	5 - 4	131328-40630	4 - 13	900253-05020	7 - 21
123110-05560	9 - 22	132010-35430	4 - 11	900256-04022	7 - 18
123112-40630	9 - 9	132013-26630	4 - 9	900323-03014	1 - 15
123112-40630	10 - 3	132115-55930	4 - 8	900500-00006	7 - 5
123112-40630	11 - 3	145642-06230	5 - 13	900500-00006	7 - 12
123114-40630	9 - 5	151112-04630	1 - 23	900501-00010	2 - 1
123122-05560	9 - 12	156111-06160	2 - 8	900503-00006	7 - 8
123123-03930	9 - 14	159011-03432	2 - 10	900516-00005	5 - 8
123123-03930	11 - 6	159012-03433	2 - 9	900516-00005	6 - 5
123125-40630	9 - 8	159129-08261	1 - 24	900562-50005	5 - 2
123125-40630	10 - 2	177227-42030	2 - 25	900602-00010	2 - 3
123125-40630	11 - 2	177228-11620	2 - 26	900603-00005	5 - 26
123126-10631	9 - 11	177236-61830	2 - 17	900603-00006	7 - 15
123126-10631	11 - 4	178010-07561	7 - 9	900605-00006	7 - 16
123137-19830	9 - 13	178054-07560	7 - 14	900605-00010	2 - 2
123137-19830	11 - 5	178111-22330	5 - 24	91107-06020	2 - 30
123138-03930	9 - 15	178121-43230	7 - 25	91145-05016	5 - 25
123138-03930	11 - 7	178123-07561	7 - 11	91145-05016	6 - 9
123139-05560	9 - 16	300105-08261	6 - 4	91145-05020	5 - 6
123140-02960	10 - 9	305812-08260	7 - 20	91145-05020	5 - 10
123140-02960	11 - 13	351146-07560	7 - 2	91367-04010	2 - 33
123140-05560	9 - 17	351311-07560	7 - 3	94032-36302	1 - 20
123140-05560	10 - 4	351315-07560	7 - 13	A011-000140	1 - 14
123140-05560	11 - 8	613019-07350	5 - 7	A021-000810	3 - 9
123141-03930	10 - 11	613019-07350	6 - 6	A021-000810	9 -
123141-03930	11 - 15	613019-07350	6 - 12	A021-000811	3 - 9
123142-05560	9 - 21	890157-06560	7 - 1	A051-000841	2 - 16
123143-12110	9 - 4	890160-09461	5 - 20	A052-000042	2 - 12
123143-12110	10 - 1	890332-52730	3 - 7	A101-000020	1 - 9
123143-12110	11 - 1	895410-39131	8 - 9	A101-000030	1 - 8
123143-12210	10 - 7	900105-05020	6 - 11	A130-001000	1 - 3
123143-12210	11 - 11	900105-05060	3 - 4	A160-000340	1 - 6
123149-54230	9 - 2	900105-05060	5 - 19	A190-000111	5 - 30
123159-40630	10 - 10	900105-06035	5 - 12	A200-000070	3 - 12
123159-40630	11 - 14	900106-05008	1 - 5	A226-000032	3 - 3
123172-45130	9 - 1	900106-05014	2 - 28	A244-000040	3 - 5
123173-07930	9 - 3	900106-05014	2 - 35	A310-000000	2 - 34
123180-05560	9 - 19	900106-05016	4 - 5	A313-000310	2 - 32
123181-40630	9 - 20	900106-05020	5 - 5	A322-000020	5 - 23
123183-05960	10 - 8	900106-05025	3 - 11	A350-000151	4 - 4
123183-05960	11 - 12	900162-05022	1 - 25	A356-000030	4 - 12
123183-12110	10 - 6	900162-05022	2 - 5	A392-000000	4 - 6
123183-12110	11 - 10	900162-05025	1 - 2	A409-000250	2 - 4
123183-54230	10 - 5	900162-05035	1 - 17	A415-000000	2 - 6
123183-54230	11 - 9	900162-06035	1 - 22	A425-000000	2 - 11
131004-55530	4 - 1	900235-06020	7 - 17	C061-000111	6 - 1

Index

Patrs Number	Key No.	Patrs Number	Key No.	Patrs Number	Key No.
C066-000004	6 - 7	V103-000140	3 - 10		
C405-000230	7 - 22	V103-000140	12 - 5		
C405-000240	7 - 4	V104-000720	1 - 1		
C617-000150	6 - 8	V104-000720	12 - 1		
C626-000010	6 - 13	V152-000770	5 - 22		
C626-000030	6 - 15	V186-000080	4 - 15		
C632-000042	5 - 15	V299-000290	3 - 1		
C632-000052	5 - 16	V307-000060	1 - 13		
E100-000042	5 - 14	V340-000210	3 - 15		
E103-000341	5 - 18	V401-000070	6 - 14		
E103-000350	5 - 11	V420-000570	5 - 27		
E104-000041	5 - 1	V471-000550	4 - 7		
E104-000051	5 - 3	V471-000610	4 - 14		
E109-000010	5 - 9	V485-000190	2 - 7		
E160-000092	8 - 8	V491-000040	6 - 2		
E164-000060	8 - 6	V491-000110	6 - 16		
E165-000130	8 - 3	V491-000120	6 - 3		
E165-000141	8 - 2	V491-000191	8 - 5		
E165-000160	8 - 1	V494-000080	7 - 7		
P003-000090	9 - 18	V495-000430	8 - 4		
P003-000180	9 - 6	V495-000440	8 - 7		
P003-000630	9 - 10	V508-000010	1 - 18		
P003-000650	10 -	V555-000010	1 - 12		
P003-000660	11 -	V608-000010	1 - 10		
P003-001130	9 - 7	X502-000460	2 - 29		
P021-002983	1 - 7	X503-007451	5 - 31		
P021-002991	1 - 16	X505-002310	5 - 28		
P021-005932	12 -				
P021-014431	3 - 14				
P022-002100	2 - 13				
P022-003120	2 - 15				
P022-003130	2 - 14				
P022-004680	2 - 23				
P022-010221	2 - 19				
P022-010231	2 - 20				
P022-010240	2 - 21				
P022-010250	2 - 18				
P022-010260	2 - 27				
P022-010270	2 - 24				
P022-010280	2 - 22				
V043-000081	7 - 24				
V100-000100	1 - 4				
V100-000100	12 - 2				
V102-000010	1 - 19				
V102-000010	12 - 3				
V103-000080	3 - 8				
V103-000080	12 - 4				
V103-000130	3 - 13				
V103-000130	12 - 6				

YAMABIKO CORPORATION

7-2 SUEHIROCHO 1-CHOME, OHME, TOKYO 198-8760, JAPAN
PHONE: 81-428-32-6118. FAX: 81-428-32-6145.



10Hc
No. 63-089