

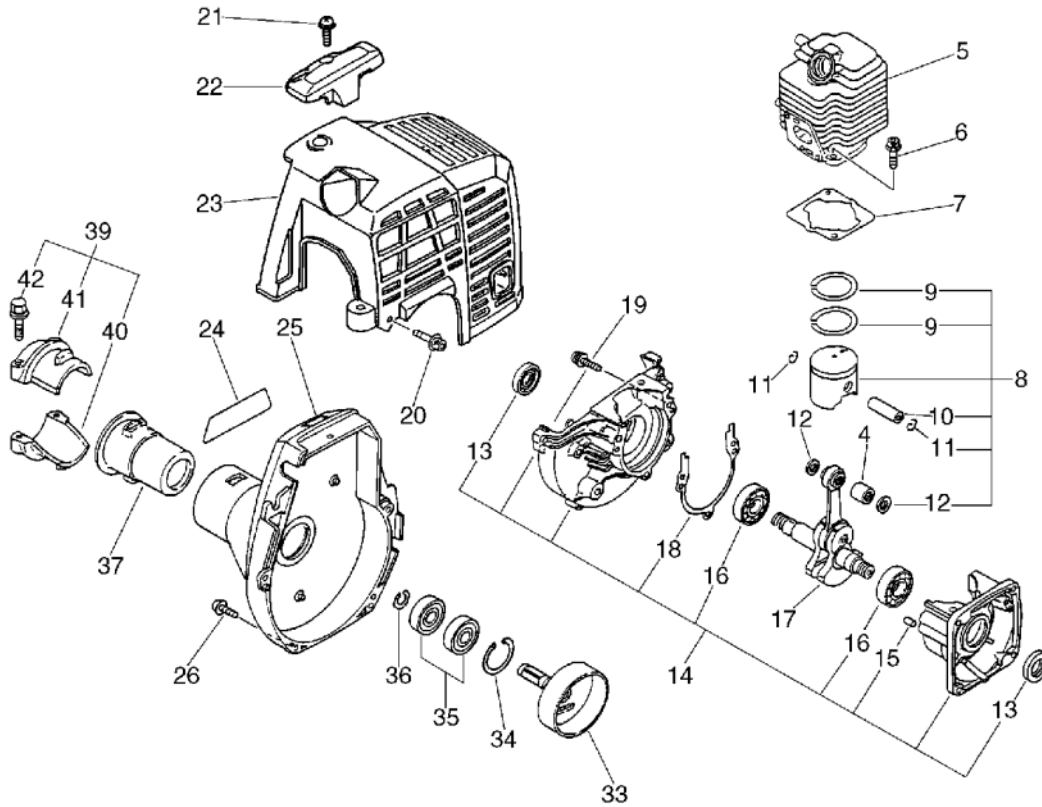


# **PARTS CATALOGUE**

## **SHAFT HEDGE TRIMMER**

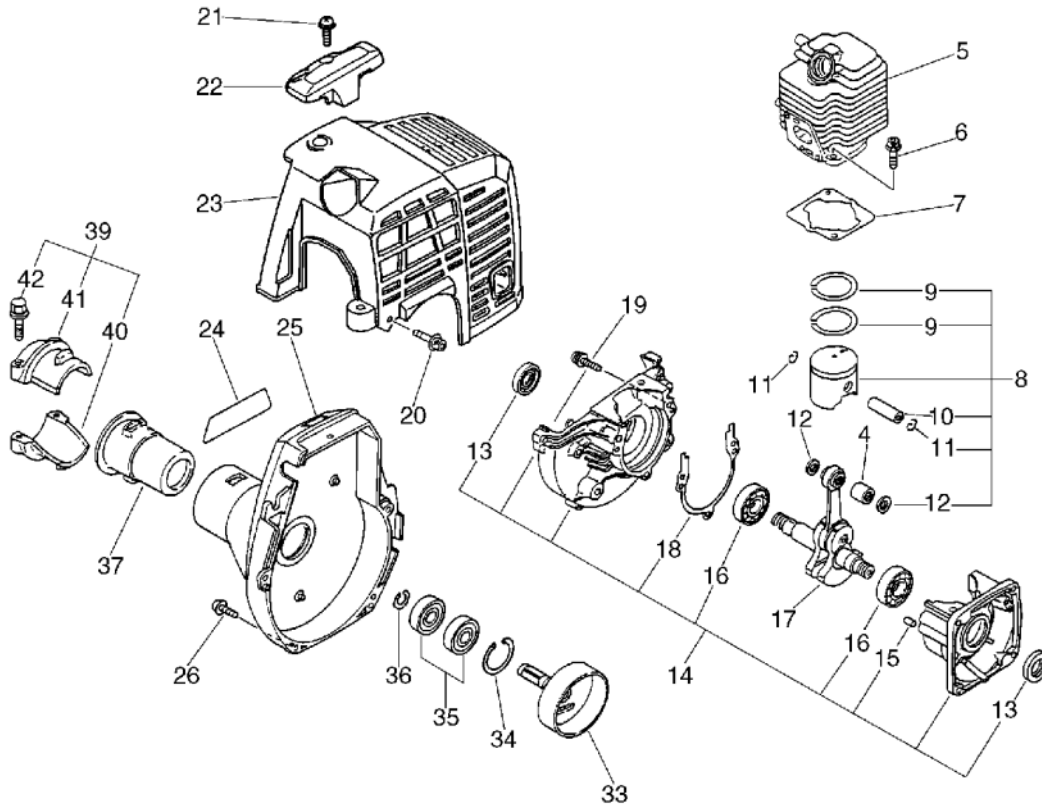
**SHC-2400(6digits)(35)(36)**

1. Cylinder, Crankcase, Piston, Fan Cover



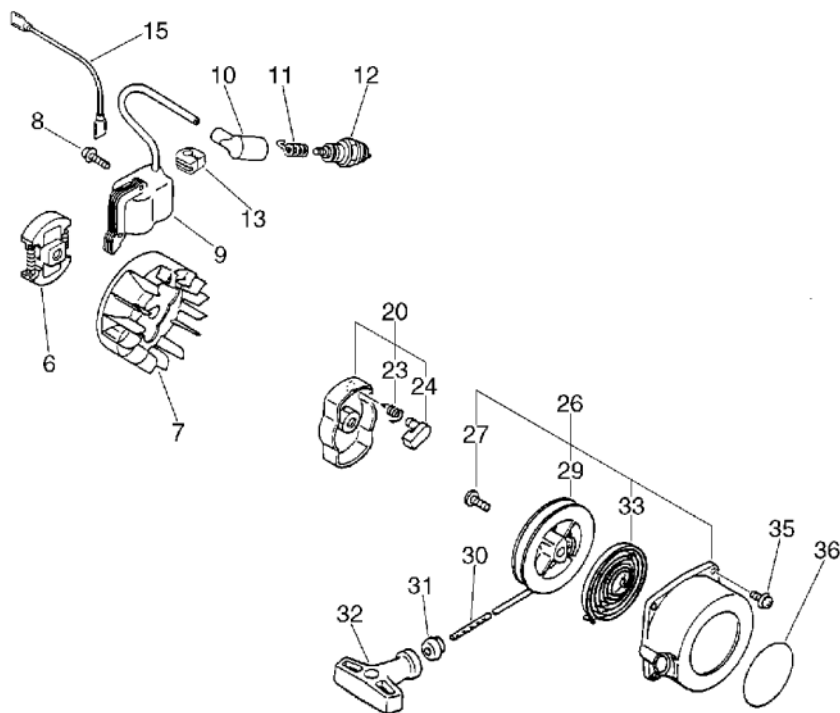
| KEY | LV | PART NUMBER  | Q'TY | DESCRIPTION         | REMARKS        | NOTE1                | NOTE2 |
|-----|----|--------------|------|---------------------|----------------|----------------------|-------|
| 5   |    | 101011-08961 | 1    | CYLINDER (CR)       |                |                      |       |
| 6   |    | 900162-05022 | 2    | BOLT, H.S. 5*22     | 5*22 W,SW      |                      |       |
| 7   |    | 101010-44332 | 1    | GASKET, CYL. BASE   |                |                      |       |
| 8   |    | 100000-09563 | 1    | PISTON KIT          |                |                      |       |
| 9   | +  | 100011-09560 | 2    | RING, PISTON        |                |                      |       |
| 10  | +  | 100013-11520 | 1    | PIN, PISTON         |                |                      |       |
| 11  | +  | 100015-04630 | 2    | CIRCLIP, PISTON PIN |                |                      |       |
| 12  | +  | 100014-11520 | 2    | SPACER, PISTON PIN  |                |                      |       |
| 14  |    | 100204-52130 | 1    | CRANKCASE KIT       |                | Sus. by 100204-52132 |       |
| 14  |    | 100204-52131 | 1    | CRANKCASE KIT       |                | Sus. by 100204-52132 |       |
| 14  |    | 100204-52132 | 1    | CRANKCASE KIT       |                |                      |       |
| 13  | +  | 100212-42030 | 2    | OILSEAL             | ISCD12*22*4.5  | Sus. by 100212-42031 |       |
| 13  | +  | 100212-42031 | 2    | OILSEAL             | ISCD 12*22*4.5 |                      |       |
| 15  | +  | 100215-03930 | 2    | PIN, DOWEL          |                | Sus. by V622-000020  |       |
| 15  | +  | V622-000020  | 2    | PIN, STRAIGHT 4     | 4*7.8          |                      |       |
| 16  | +  | 900810-36201 | 2    | BEARING, BALL 6201  | 6201/C3        | Sus. by 94035-36201  |       |
| 16  | +  | 94035-36201  | 2    | BEARING BALL        | 6201X3JR2C3    |                      |       |
| 18  | +  | 100242-42030 | 1    | GASKET, CRANKCASE   |                |                      |       |
| 19  | +  | 900162-05028 | 3    | BOLT, H.S. 5*28     | 5*28 W,SW      |                      |       |

1. Cylinder, Crankcase, Piston, Fan Cover



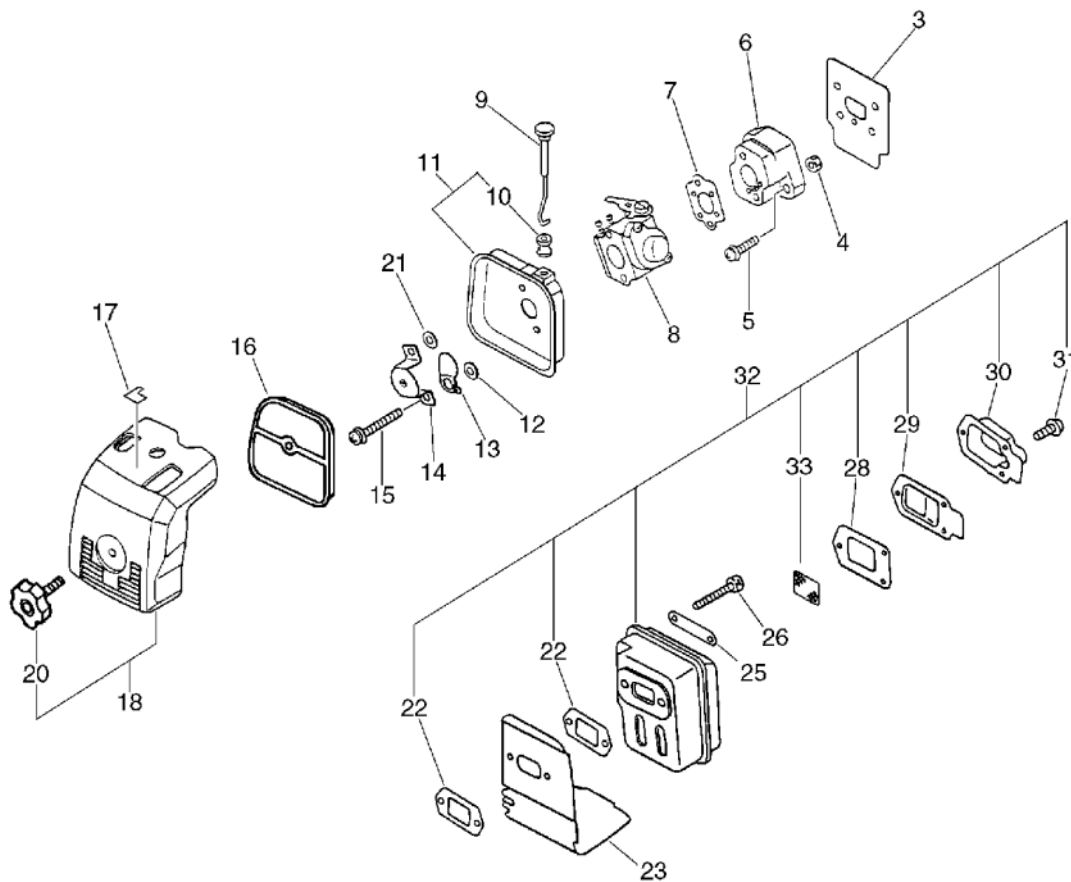
| KEY | LV | PART NUMBER  | Q'TY | DESCRIPTION        | REMARKS | NOTE1               | NOTE2 |
|-----|----|--------------|------|--------------------|---------|---------------------|-------|
| 17  |    | 100100-44732 | 1    | CRANKSHAFT ASSY    |         | Sus. by A011-000101 |       |
| 17  |    | A011-000100  | 1    | CRANKSHAFT,ASM     |         | Sus. by A011-000101 |       |
| 17  |    | A011-000101  | 1    | CRANKSHAFT,ASM     |         |                     |       |
| 4   | +  | 100012-51230 | 1    | BEARING, NEEDLE    | 8*12*10 | Sus. by V553-000010 |       |
| 4   | +  | V553-000010  | 1    | BEARING,NEEDLE 8   | HK0810  |                     |       |
| 20  |    | 900163-04016 | 2    | BOLT HSH           |         |                     |       |
| 21  |    | 900238-05016 | 1    | SCREW 5*16         | 5*16    |                     |       |
| 22  |    | 159912-54130 | 1    | GUARD, TOP         |         |                     |       |
| 23  |    | 101514-48930 | 1    | COVER, CYLINDER    |         |                     |       |
| 24  |    | 890135-21560 | 1    | LABEL, MODEL       |         |                     |       |
| 25  |    | 101503-52131 | 1    | COVER ASSY, FAN    |         |                     |       |
| 26  |    | 900163-04016 | 4    | BOLT HSH           |         |                     |       |
| 33  |    | 175005-48931 | 1    | DRUM, CLUTCH       |         |                     |       |
| 34  |    | 900702-00028 | 1    | CIRCLIP 28         | CR-28   |                     |       |
| 35  |    | 900807-96001 | 2    | BEARING, BALL 6001 | 6001    |                     |       |
| 36  |    | 900701-00012 | 1    | CIRCLIP 12         | CS-12   |                     |       |
| 37  |    | 610910-55230 | 1    | CUSHION            |         |                     |       |
| 39  |    | 610903-55230 | 1    | HOLDER KIT         |         |                     |       |
| 40  | +  | 610923-55230 | 1    | HOLDER             |         |                     |       |
| 41  | +  | 610922-27432 | 1    | HOLDER             |         |                     |       |
| 42  | +  | 900142-05025 | 2    | BOLT 5*25 (W/W,SW) | 5*25    |                     |       |

## 2. Starter, Magneto, Clutch



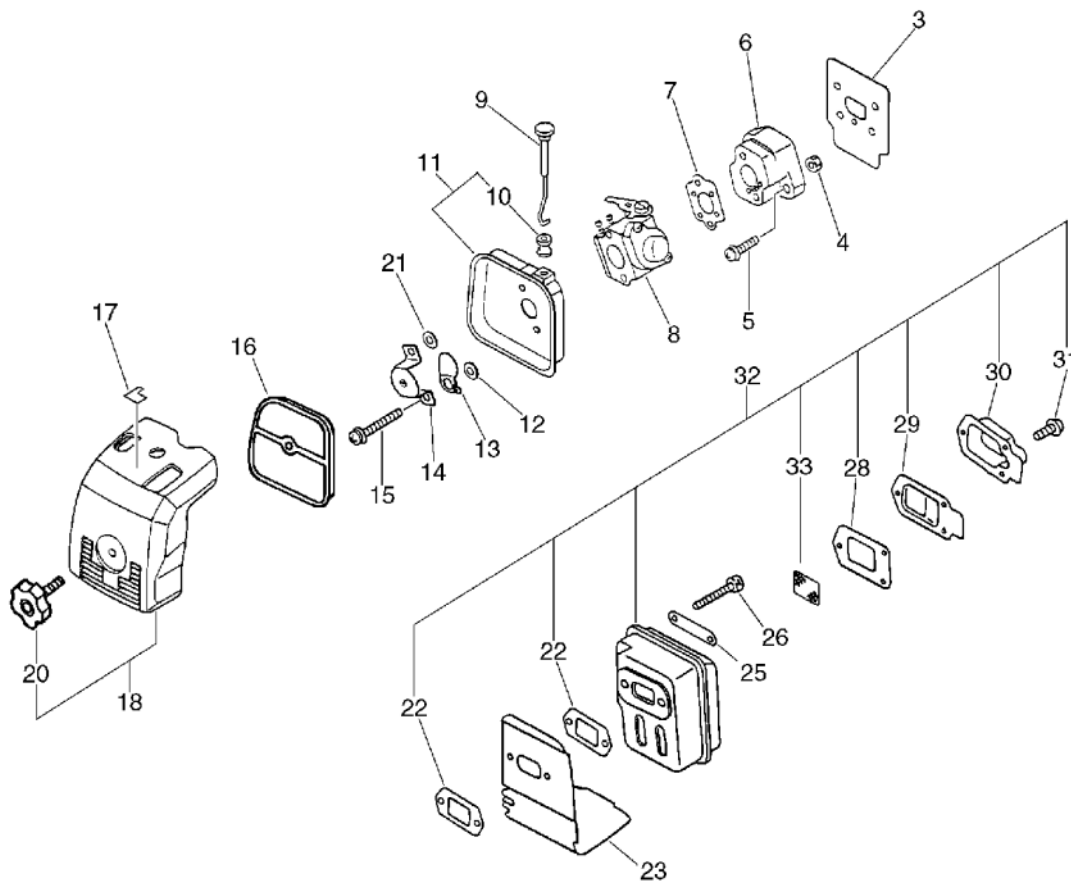
| KEY | LV | PART NUMBER  | Q'TY | DESCRIPTION          | REMARKS   | NOTE1                | NOTE2 |
|-----|----|--------------|------|----------------------|-----------|----------------------|-------|
| 6   |    | 175000-56830 | 1    | CLUTCH ASSY          |           | Sus. by 175000-56831 |       |
| 7   |    | 156801-12360 | 1    | ROTOR, MAGNETO       |           | Sus. by 156801-44731 |       |
| 7   |    | 156801-44731 | 1    | FLYWHEEL             |           |                      |       |
| 8   |    | 900162-04022 | 2    | BOLT, H.S. 4*22      | 4*22 W,SW |                      |       |
| 9   |    | 156626-52630 | 1    | COIL, IGNITION       |           |                      |       |
| 10  |    | 159012-03433 | 1    | CAP, SPARK PLUG      |           |                      |       |
| 11  |    | 159011-03432 | 1    | COIL, SPARK PLUG     |           |                      |       |
| 12  |    | 159017-10230 | 1    | PLUG, SPARK (RCJ-7Y) | RCJ-7Y    |                      |       |
| 13  |    | 156112-40630 | 1    | GROMMET              |           |                      |       |
| 15  |    | 162010-52830 | 1    | LEAD, GROUND         |           |                      |       |
| 20  |    | 177202-44330 | 1    | PAWL ASSY, STARTER   |           | Sus. by 177202-44331 |       |
| 20  |    | 177202-44331 | 1    | PAWL ASM., STARTER   |           |                      |       |
| 23  | +  | 177234-42030 | 1    | SPRING, RETURN       |           |                      |       |
| 24  | +  | 177218-44330 | 1    | PAWL, STARTER        | BLACK     |                      |       |
| 26  |    | 177200-42033 | 1    | STARTER ASSY         |           |                      |       |
| 27  | +  | 177236-44330 | 1    | SCREW                |           |                      |       |
| 29  | +  | 177215-44430 | 1    | DRUM, STARTER        |           |                      |       |
| 30  | +  | 177226-10120 | 1    | ROPE, STARTER        | 3.0*1000  |                      |       |
| 31  | +  | 177227-42030 | 1    | GUIDE, ROPE          |           |                      |       |
| 32  | +  | 177228-06530 | 1    | GRIP, STARTER        |           |                      |       |
| 33  | +  | 177220-42030 | 1    | SPRING, REWIND       |           |                      |       |
| 35  |    | 900163-04016 | 2    | BOLT HSH             |           |                      |       |
| 36  |    | 890118-49130 | 1    | LABEL, ECHO          |           |                      |       |

### 3. Air Cleaner, Muffler



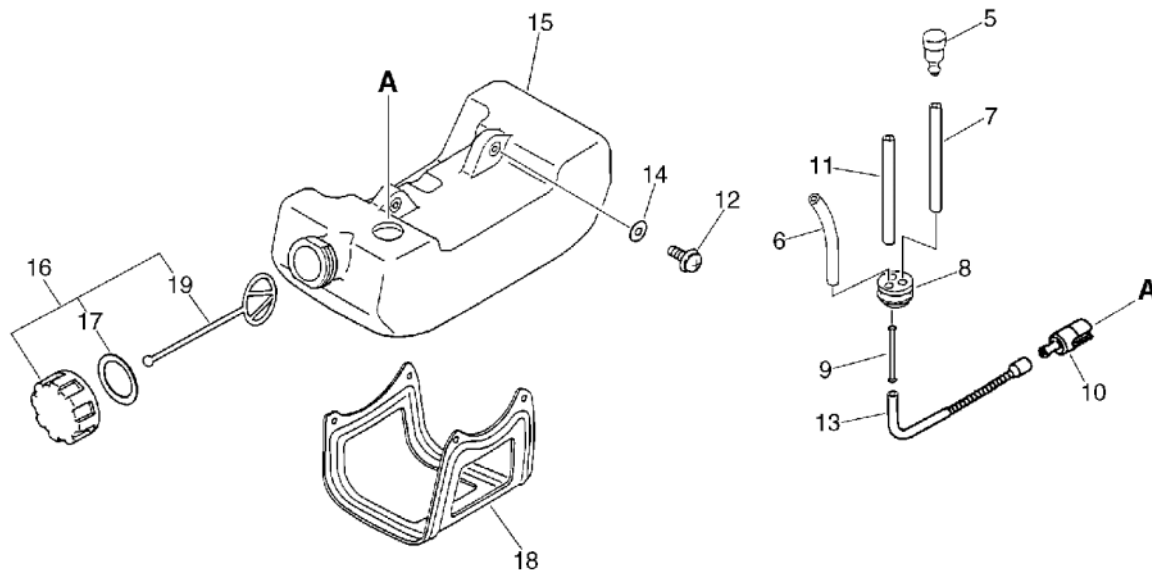
| KEY | LV | PART NUMBER  | Q'TY | DESCRIPTION          | REMARKS    | NOTE1                | NOTE2 |
|-----|----|--------------|------|----------------------|------------|----------------------|-------|
| 3   |    | 130010-42032 | 1    | GASKET,INTAKE        |            |                      |       |
| 4   |    | 900500-00005 | 2    | NUT 5                | 5          |                      |       |
| 5   |    | 900238-05020 | 2    | SCREW 5*20           | 5*20       |                      |       |
| 6   |    | 130017-42031 | 1    | INSULATOR, INTAKE    |            |                      |       |
| 7   |    | 130010-05960 | 1    | GASKET, INTAKE       |            |                      |       |
| 8   |    | 123000-52132 | 1    | CARBURETOR ASSY      | WT424B     | Sus. by 123000-52133 |       |
| 8   |    | 123000-52133 | 1    | CARBURETOR WT-424C   | WT-424C    |                      |       |
| 9   |    | 178510-51730 | 1    | ROD, CHOKE           |            |                      |       |
| 11  |    | 130301-51730 | 1    | CASE, AIR CLEANER    |            |                      |       |
| 10  | +  | 178810-05230 | 1    | GROMMET              |            |                      |       |
| 12  |    | 178516-00830 | 1    | SPACER               | 5.2*8*0.8T |                      |       |
| 13  |    | 178515-05060 | 1    | SHUTTER, CHOKE       |            |                      |       |
| 14  |    | 129011-52130 | 1    | PLATE                |            | Sus. by 129011-52131 |       |
| 14  |    | 129011-52131 | 1    | PLATE                |            |                      |       |
| 15  |    | 900242-05057 | 2    | SCREW 5*57           | 5*57       |                      |       |
| 16  |    | 130310-51830 | 1    | FILTER, AIR          |            |                      |       |
| 17  |    | 890121-47530 | 1    | LABEL, CHOKE         |            |                      |       |
| 18  |    | 130302-52130 | 1    | COVER ASSY, AIR CLN. |            | Sus. by 130302-52131 |       |
| 18  |    | 130302-52131 | 1    | COVER ASY, A.CLEANER |            |                      |       |
| 20  | +  | 130406-52130 | 1    | KNOB, FASTENER       |            | Sus. by 130406-52131 |       |
| 20  | +  | 130406-52131 | 1    | KNOB, FASTENER       |            |                      |       |
| 21  |    | 900600-00005 | 1    | WASHER 5             | 5          |                      |       |

3. Air Cleaner, Muffler



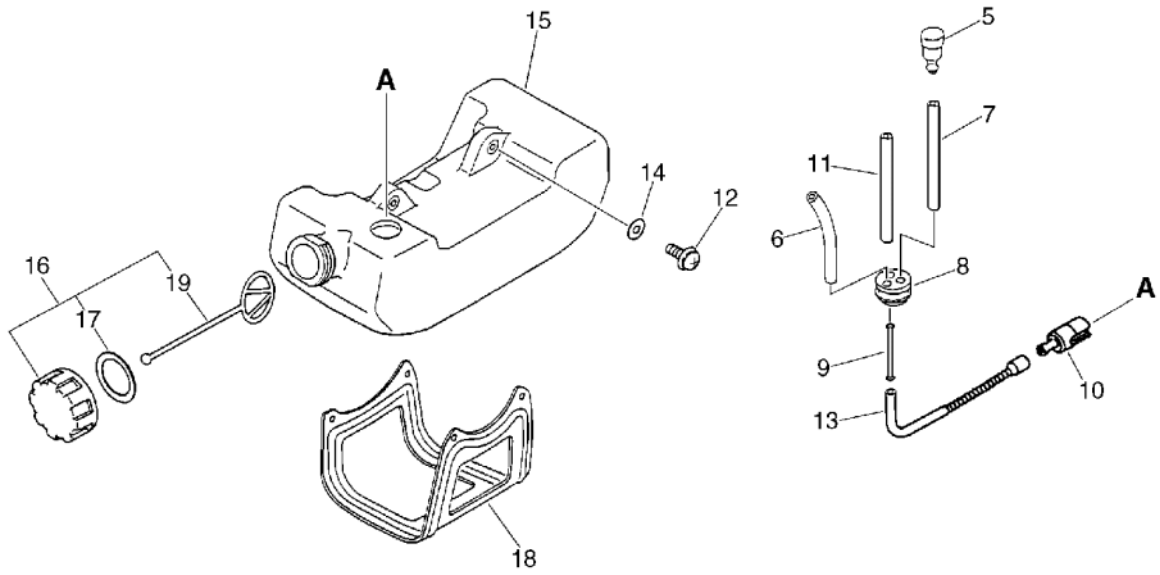
| KEY | LV | PART NUMBER  | Q'TY | DESCRIPTION         | REMARKS | NOTE1                    | NOTE2 |
|-----|----|--------------|------|---------------------|---------|--------------------------|-------|
| 23  |    | 145631-42030 | 1    | COVER, MUFFLER      |         | Sus. by A320-000251      |       |
| 23  |    | A320-000250  | 1    | COVER,MUFFLER       |         | Sus. by A320-000251      |       |
| 23  |    | A320-000251  | 1    | COVER,MUFFLER       |         |                          |       |
| 25  |    | 145642-04930 | 1    | WASHER              |         |                          |       |
| 26  |    | 900105-05055 | 2    | BOLT, H.S. 5*55     | 5*55    |                          |       |
| 32  |    | 145802-21560 | 1    | MUFFLER ASSY        |         |                          |       |
| 32  |    | P021-008940  | 1    | MUFFLER ASY         |         | Sr/Nr 36001001 and after |       |
| 22  | +  | 145510-42031 | 2    | GASKET, MUFFLER     |         | Sus. by V104-000160      |       |
| 22  | +  | V104-000160  | 2    | GASKET,EXHAUST      |         |                          |       |
| 28  | +  | 145866-42031 | 1    | GASKET, MUFFLER LID |         |                          |       |
| 29  | +  | 145876-42030 | 1    | LID, MUFFLER (B)    |         |                          |       |
| 30  | +  | 145818-52130 | 1    | GUIDE, EXHAUST      |         |                          |       |
| 31  | +  | 900242-04010 | 3    | SCREW 4*10          | 4*10    |                          |       |
| 33  | +  | 145862-40630 | 1    | SCREEN, MUFFLER     |         | Sr/Nr 36001001 and after |       |

### 4. Fuel Tank



| KEY | LV | PART NUMBER  | Q'TY | DESCRIPTION          | REMARKS       | NOTE1                | NOTE2 |
|-----|----|--------------|------|----------------------|---------------|----------------------|-------|
| 5   |    | 131300-56430 | 1    | VALVE, CHECK         |               | Sus. by A356-000030  |       |
| 5   |    | A356-000030  | 1    | VALVE,CHECK          |               |                      |       |
| 6   |    | 132010-56330 | 1    | PIPE 3*6*90          | 3*6*90 YL     |                      |       |
| 7   |    | 131312-39130 | 1    | PIPE                 | 3*5*70(+3)NBR | Sus. by V471-001200  |       |
| 7   |    | V471-001200  | 1    | PIPE                 | 3*5*70 NBR    |                      |       |
| 8   |    | 132115-46730 | 1    | GROMMET, FUEL        |               | Sus. by V137-000030  |       |
| 8   |    | V137-000030  | 1    | GROMMET,FUEL         |               |                      |       |
| 9   |    | 132011-03360 | 1    | CONNECTOR, FUEL PIPE |               |                      |       |
| 10  |    | 131205-07320 | 1    | STRAINER, FUEL       |               |                      |       |
| 11  |    | 131312-44330 | 1    | PIPE, 3*5*70L        | 3*5*70L NBR   | Sus. by V471-001200  |       |
| 11  |    | 131312-39130 | 1    | PIPE                 | 3*5*70(+3)NBR | Sus. by V471-001200  |       |
| 11  |    | V471-001200  | 1    | PIPE                 | 3*5*70 NBR    |                      |       |
| 12  |    | 900238-05016 | 2    | SCREW 5*16           | 5*16          |                      |       |
| 13  |    | 132012-12360 | 1    | PIPE, FUEL           |               | Sus. by 132012-12361 |       |
| 14  |    | 900603-00005 | 2    | WASHER 5             | 5.5*12*0.8    |                      |       |
| 15  |    | 131005-46830 | 1    | TANK, FUEL           |               | Sus. by 131005-46831 |       |
| 15  |    | 131005-46831 | 1    | TANK, FUEL           |               |                      |       |
| 16  |    | 131004-08960 | 1    | CAP ASSY, FUEL       |               |                      |       |
| 17  | +  | 131016-55830 | 1    | GASKET, FUEL CAP     |               |                      |       |

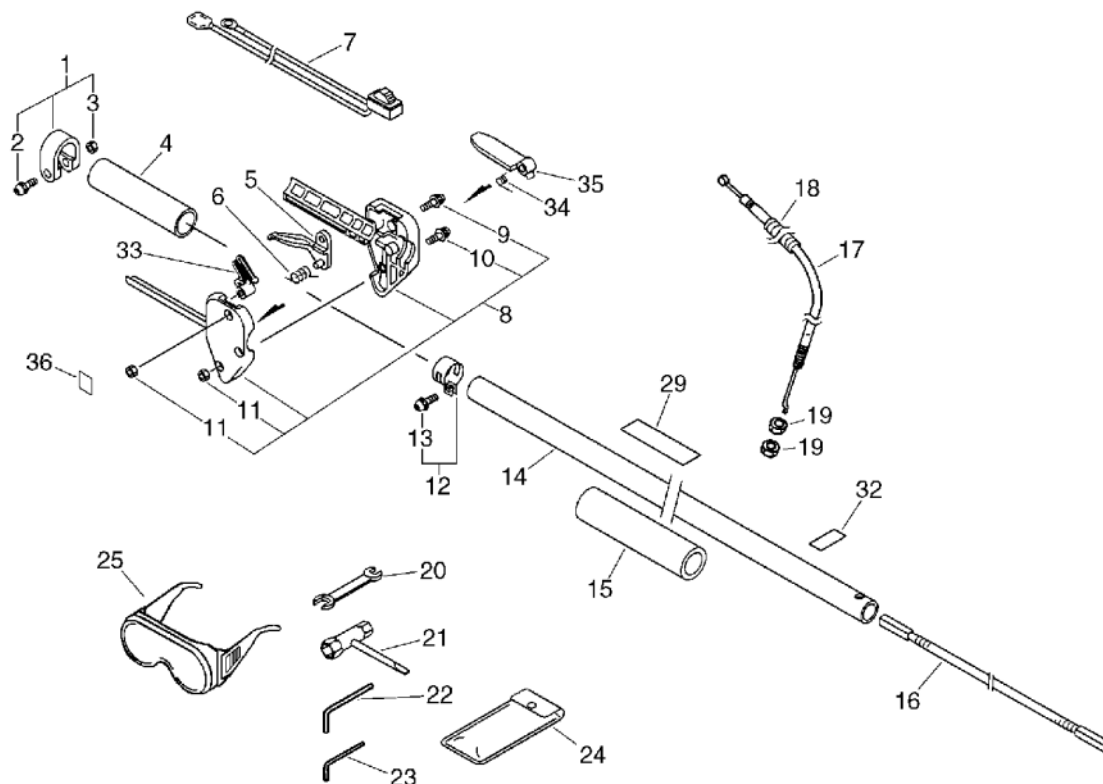
### 4. Fuel Tank



| KEY | LV | PART NUMBER  | Q'TY | DESCRIPTION    | REMARKS | NOTE1 | NOTE2 |
|-----|----|--------------|------|----------------|---------|-------|-------|
| 19  | +  | 131051-52430 | 1    | CONNECTOR, CAP | 80L     |       |       |
| 18  |    | 305110-42030 | 1    | STAND (BL)     |         |       |       |

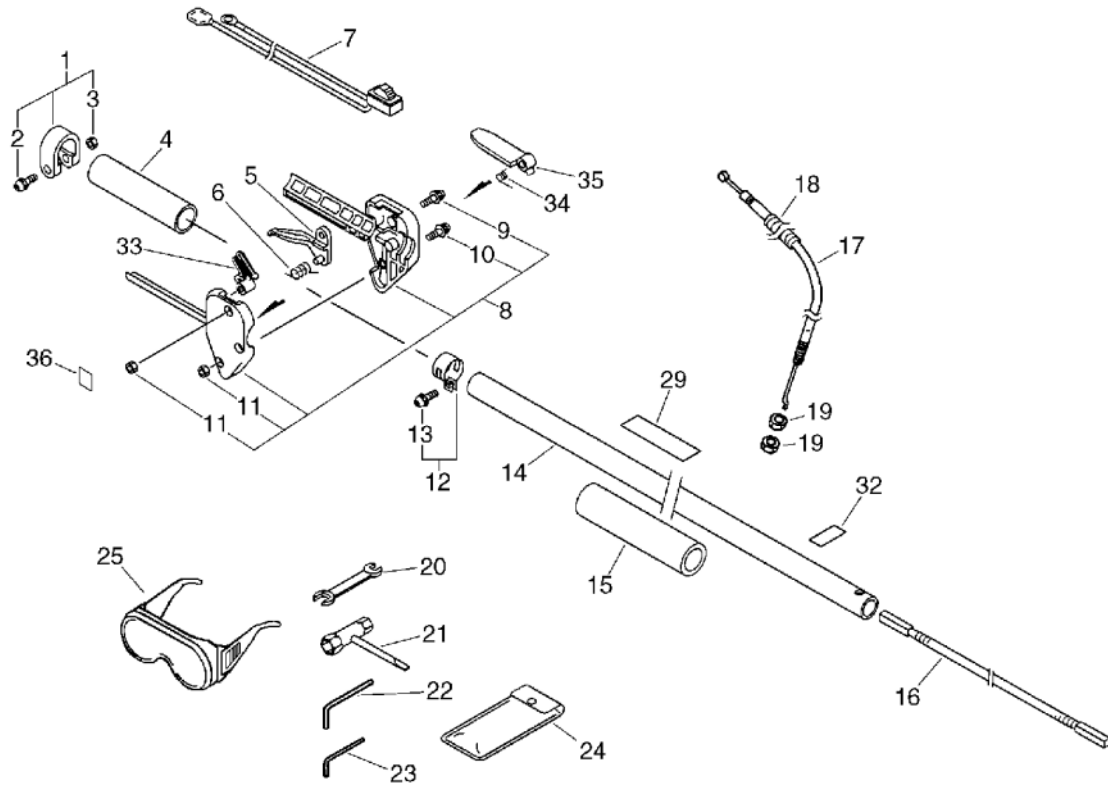


5. Handle, Tools



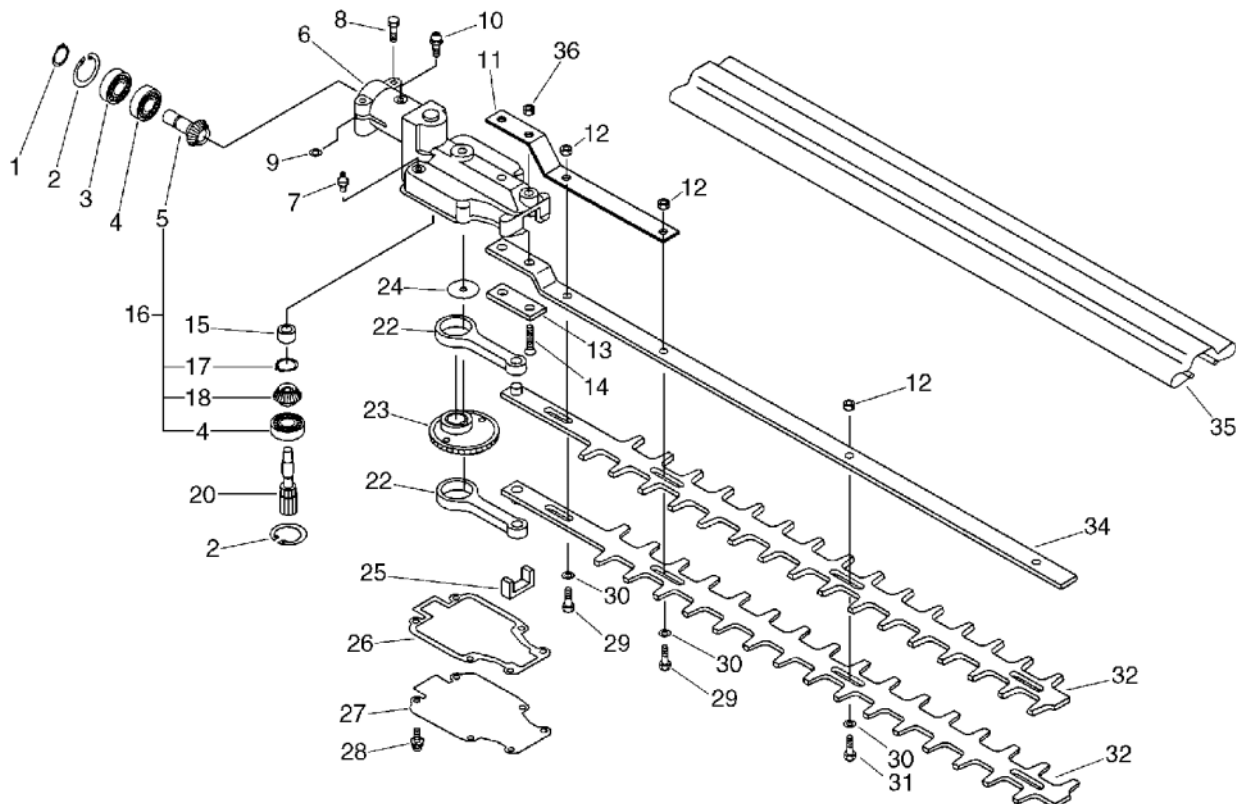
| KEY | LV | PART NUMBER  | Q'TY | DESCRIPTION           | REMARKS   | NOTE1                   | NOTE2 |
|-----|----|--------------|------|-----------------------|-----------|-------------------------|-------|
| 1   |    | 610272-52130 | 1    | BAND                  |           |                         |       |
| 2   | +  | 900242-05028 | 1    | SCREW 5*28            | 5*28      |                         |       |
| 3   | +  | 900500-00005 | 1    | NUT 5                 | 5         |                         |       |
| 4   |    | 351213-52130 | 1    | GRIP                  |           |                         |       |
| 5   |    | 178010-52130 | 1    | CONTROL, THROTTLE     |           |                         |       |
| 6   |    | 178043-42230 | 1    | SPRING, THR. RETURN   |           |                         |       |
| 7   |    | 163401-55630 | 1    | SWITCH, IGNITION      |           | Sus. by 163401-55631    |       |
| 7   |    | 163401-55631 | 1    | SWITCH, IGNITION      |           |                         |       |
| 8   |    | 178003-52130 | 1    | BRACKET SET, THROTTLE |           |                         |       |
| 9   | +  | 900242-05035 | 1    | SCREW 5*35            | 5*35      |                         |       |
| 10  | +  | 900242-05025 | 1    | SCREW 5*25            | 5*25      |                         |       |
| 11  | +  | 900500-00005 | 2    | NUT 5                 | 5         |                         |       |
| 12  |    | 301200-29430 | 1    | BAND ASSY             |           |                         |       |
| 13  | +  | 900242-05014 | 1    | SCREW 5*14            | 5*14      |                         |       |
| 14  |    | 610206-12360 | 1    | HOUSING ASY, D. SHFT  |           | Sr/Nr 003187 and before |       |
| 14  |    | C050-000010  | 1    | PIPE, MAIN            |           | Sus. by C050-000011     |       |
| 15  |    | 351012-54330 | 1    | GRIP                  |           |                         |       |
| 16  |    | 610013-12360 | 1    | SHAFT, FLEXIBLE       |           |                         |       |
| 17  |    | 178001-56730 | 1    | CABLE, THROTTLE       |           |                         |       |
| 18  |    | 178127-50330 | 1    | TUBE                  | 10*11*140 |                         |       |
| 19  |    | 900502-00006 | 2    | NUT 6 (3N)            | 3N6       |                         |       |
| 20  |    | 895112-00330 | 1    | SPANNER 8*10          |           |                         |       |

5. Handle, Tools



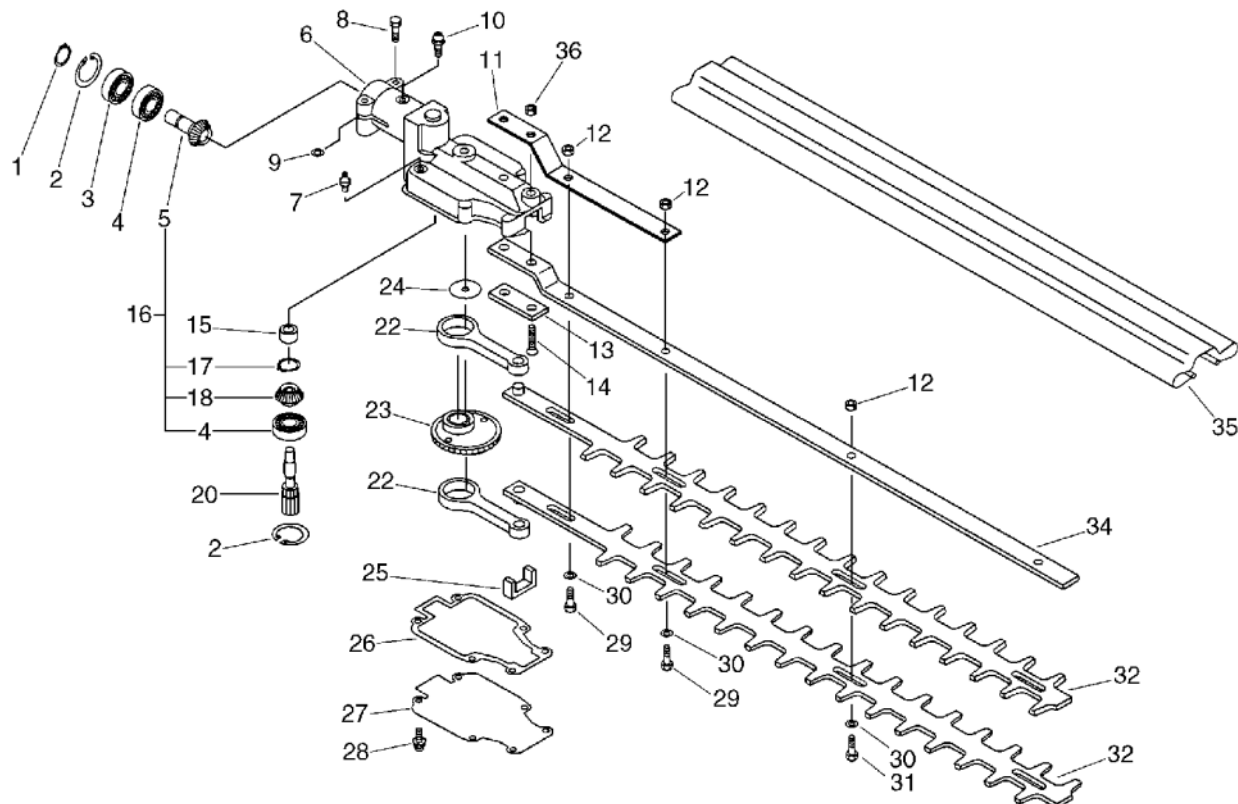
| KEY | LV | PART NUMBER  | Q'TY | DESCRIPTION         | REMARKS    | NOTE1                | NOTE2 |
|-----|----|--------------|------|---------------------|------------|----------------------|-------|
| 21  |    | 895410-08030 | 1    | WRENCH, W/S. DRIVER |            | Sus. by X602-000020  |       |
| 21  |    | X602-000020  | 1    | TOOL, WRENCH        | 17*19 L200 |                      |       |
| 22  |    | 895610-00130 | 1    | L-WRENCH (4MM)      |            |                      |       |
| 23  |    | 895612-03430 | 1    | L-WRENCH (3MM)      |            |                      |       |
| 24  |    | 898510-39130 | 1    | BAG, TOOL           |            |                      |       |
| 25  |    | 899580-68730 | 1    | SAFETY GLASSES      |            | Sus. by X690-000030  |       |
| 25  |    | X690-000030  | 1    | GOGGLE              |            |                      |       |
| 29  |    | 890617-12360 | 1    | LABEL, CAUTION      |            | Sus. by 890617-12361 |       |
| 29  |    | 890617-12361 | 1    | LABEL, CAUTION      |            |                      |       |
| 32  |    | 890152-04930 | 1    | LABEL, CAUTION      |            |                      |       |
| 33  |    | 178012-52730 | 1    | LOCKOUT, THROTTLE   |            |                      |       |
| 34  |    | 178013-52630 | 1    | SPRING, THR. LOCK   |            |                      |       |
| 35  |    | 178090-52630 | 1    | LOCKOUT, T. CONTROL |            | Sus. by 178090-52632 |       |
| 35  |    | 178090-52631 | 1    | LOCKOUT, T. CONTROL |            | Sus. by 178090-52632 |       |
| 35  |    | 178090-52632 | 1    | LOCKOUT, T. CONTROL |            |                      |       |
| 36  |    | 890157-39130 | 1    | LABEL, SWITCH       |            |                      |       |

6. Gear Case, Cutter



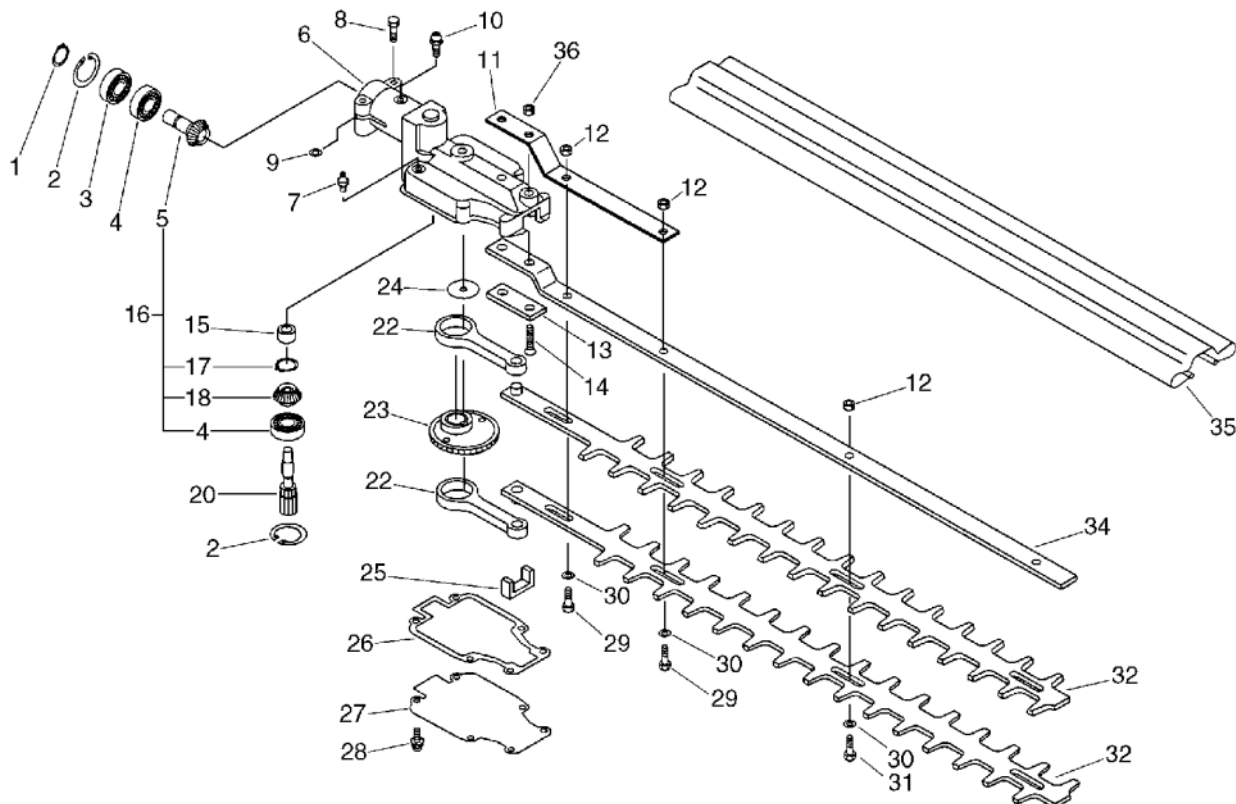
| KEY | LV | PART NUMBER  | Q'TY | DESCRIPTION           | REMARKS   | NOTE1                   | NOTE2 |
|-----|----|--------------|------|-----------------------|-----------|-------------------------|-------|
| 1   |    | 900706-00012 | 1    | CIRCLIP 12            | WR-12     |                         |       |
| 2   |    | 610335-21460 | 2    | RING, RETAINING       |           |                         |       |
| 3   |    | 900858-06901 | 1    | BEARING, BALL BB6901Z | BB6901Z   |                         |       |
| 4   |    | 900855-06901 | 1    | BEARING, BALL 6901    | 6901      |                         |       |
| 5   |    | 610361-21460 | 1    | GEAR                  |           | Sr/Nr 003107 and before |       |
| 6   |    | 610410-21560 | 1    | CASE, GEAR            |           | Sus. by P021-000111     |       |
| 6   |    | P021-000110  | 1    | CASE, GEAR            |           | Sus. by P021-000111     |       |
| 6   |    | P021-000111  | 1    | CASE, GEAR            |           |                         |       |
| 7   |    | 880110-54230 | 1    | NIPPLE, GREASE        |           |                         |       |
| 8   |    | 900162-05028 | 2    | BOLT, H.S. 5*28       | 5*28 W,SW |                         |       |
| 9   |    | 610239-04130 | 2    | WASHER, SHIM          |           |                         |       |
| 10  |    | 900162-05012 | 1    | BOLT, H.S. 5*12       | 5*12 W,SW |                         |       |
| 11  |    | 699120-21561 | 1    | PLATE, CUTTER         |           |                         |       |
| 12  |    | 433022-06460 | 4    | NUT                   |           |                         |       |
| 13  |    | 610440-04560 | 1    | HOLDER, FRAME         |           |                         |       |
| 14  |    | 900212-06035 | 2    | SCREW 6*35            | +SF6*35   |                         |       |
| 15  |    | 604221-21460 | 1    | BUSHING               |           |                         |       |
| 16  |    | 610308-21460 | 1    | GEAR                  |           | Sus. by P021-009440     |       |
| 16  |    | V060-000000  | 1    | GEAR,SPUR             |           | Sus. by P021-009440     |       |
| 16  |    | P021-004190  | 1    | GEAR,SPUR             |           | Sus. by P021-009440     |       |

6. Gear Case, Cutter



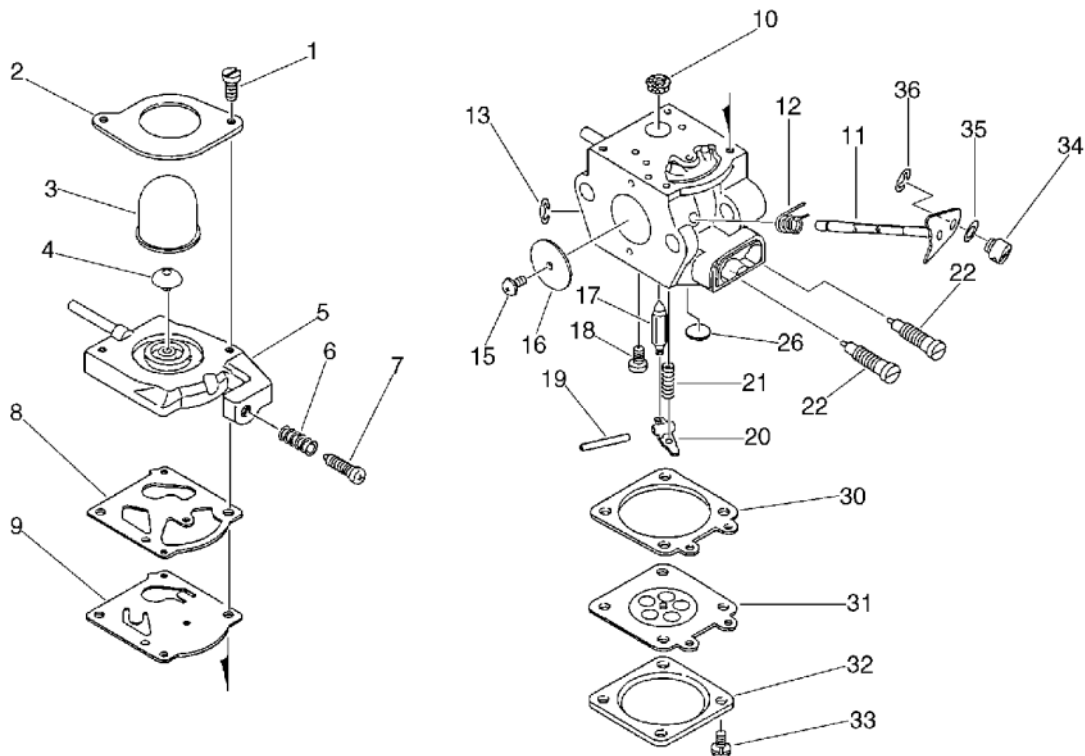
| KEY | LV | PART NUMBER  | Q'TY | DESCRIPTION        | REMARKS        | NOTE1                    | NOTE2 |
|-----|----|--------------|------|--------------------|----------------|--------------------------|-------|
| 16  |    | P021-009440  | 1    | SPUR GEAR SET      |                |                          |       |
| 4   | +  | 900855-06901 | 1    | BEARING, BALL 6901 | 6901           |                          |       |
| 5   | +  | V651-000050  | 1    | GEAR,BEVEL         | MG#0406001898  | Sr/Nr 003108 to 36001132 |       |
| 5   | +  | V651-000180  | 1    | GEAR,BEVEL         | MG#07.2310.008 | Sr/Nr 36001133 and after |       |
| 17  | +  | 610335-21560 | 1    | RING, RETAINING    |                |                          |       |
| 18  | +  | 610361-21560 | 1    | GEAR               |                | Sr/Nr 003107 and before  |       |
| 18  | +  | V651-000060  | 1    | GEAR,BEVEL         | MG#0600.1897   | Sr/Nr 003108 to 36001132 |       |
| 18  | +  | V651-000190  | 1    | GEAR,BEVEL         | MG#0600.2253   | Sr/Nr 36001133 and after |       |
| 20  | +  | 610312-21460 | 1    | GEAR               |                | Sr/Nr 003107 and before  |       |
| 20  |    | 610312-21460 | 1    | GEAR               |                | Sr/Nr 003108 and after   |       |
| 22  |    | 610330-04560 | 2    | ROD, CONNECTING    |                | Sus. by C532-000120      |       |
| 22  |    | 610330-04561 | 2    | ROD, CONNECTING    |                | Sus. by C532-000120      |       |
| 22  |    | C532-000120  | 2    | ROD, CONNECTING    |                |                          |       |
| 23  |    | 610312-04560 | 1    | GEAR               |                |                          |       |
| 24  |    | 610350-04560 | 1    | WASHER             |                |                          |       |
| 25  |    | 610425-04560 | 1    | SEAL               |                |                          |       |
| 26  |    | 610414-21460 | 1    | GASKET, GEAR CASE  |                |                          |       |

6. Gear Case, Cutter



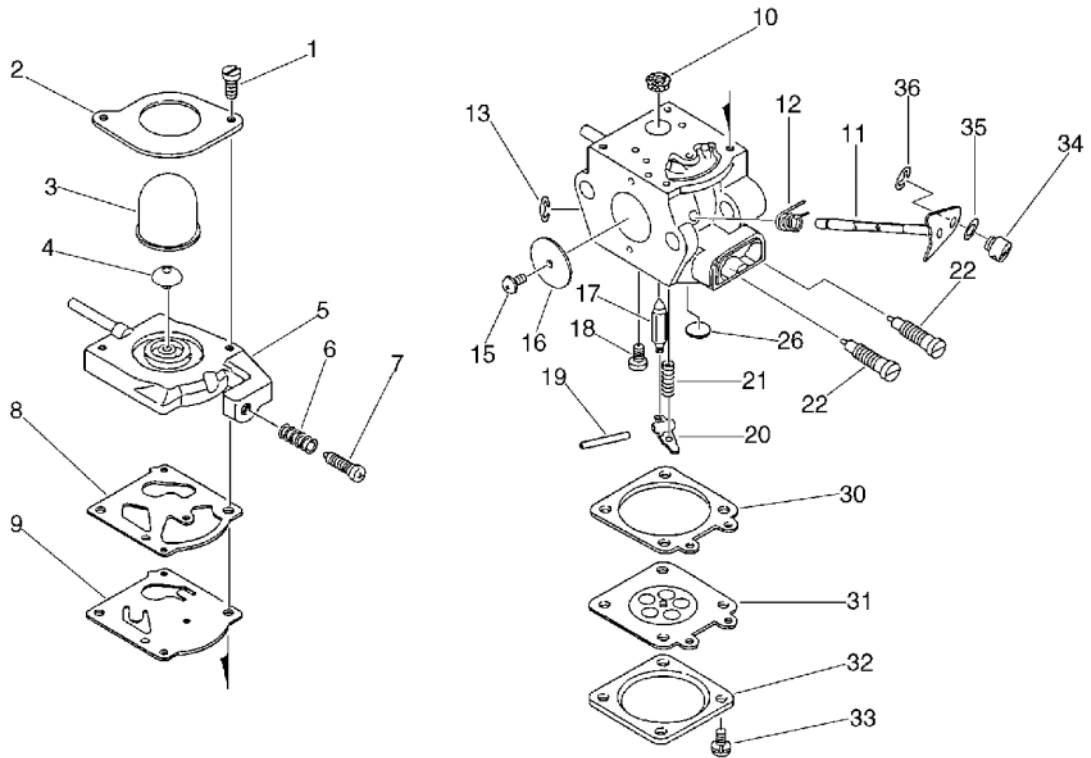
| KEY | LV | PART NUMBER  | Q'TY | DESCRIPTION     | REMARKS       | NOTE1               | NOTE2 |
|-----|----|--------------|------|-----------------|---------------|---------------------|-------|
| 27  |    | 610411-21460 | 1    | LID, GEAR CASE  |               |                     |       |
| 28  |    | 900162-04012 | 6    | BOLT, H.S. 4*12 | 4*12 W,SW     |                     |       |
| 29  |    | 699115-21460 | 2    | BOLT            |               |                     |       |
| 30  |    | 699118-04560 | 4    | WASHER          |               |                     |       |
| 31  |    | 699113-06560 | 2    | BOLT 6          |               |                     |       |
| 32  |    | 697010-06960 | 2    | CUTTER          |               | Sus. by X411-000400 |       |
| 32  |    | X411-000050  | 2    | CUTTER          | 615L          | Sus. by X411-000400 |       |
| 32  |    | X411-000400  | 2    | CUTTER          | L=615         |                     |       |
| 34  |    | 699110-07260 | 1    | BAR, FRAME      |               | Sus. by X425-000210 |       |
| 34  |    | X425-000060  | 1    | SUPPORT,CUTTER  | L=640 THK=3.2 | Sus. by X425-000210 |       |
| 34  |    | X425-000210  | 1    | SUPPORT,CUTTER  | L=653 T=3.2   |                     |       |
| 35  |    | 898523-06560 | 1    | COVER, CUTTER   |               |                     |       |
| 36  |    | 900500-00006 | 2    | NUT 6           | 6             |                     |       |

7. Carburetor



| KEY | LV | PART NUMBER  | Q'TY | DESCRIPTION          | REMARKS | NOTE1                | NOTE2 |
|-----|----|--------------|------|----------------------|---------|----------------------|-------|
|     |    | 123000-52132 | 1    | CARBURETOR ASSY      | WT424B  | Sus. by 123000-52133 |       |
|     |    | 123000-52133 | 1    | CARBURETOR WT-424C   | WT-424C |                      |       |
| 1   | +  | 123110-43130 | 2    | SCREW                |         |                      |       |
| 2   | +  | 123142-09560 | 1    | COVER, PRIMER PUMP   |         |                      |       |
| 3   | +  | 123181-09560 | 1    | PUMP, PRIMER         |         |                      |       |
| 4   | +  | 123171-35630 | 1    | VALVE, CHECK         |         |                      |       |
| 5   | +  | 123124-43230 | 1    | COVER, FUEL PUMP     |         |                      |       |
| 6   | +  | 123133-04260 | 1    | SPRING, IDLE ADJUST  |         |                      |       |
| 7   | +  | 123134-04260 | 1    | SCREW, IDLE ADJUST   |         |                      |       |
| 8   | +  | 123125-09560 | 1    | GASKET, FUEL PUMP    |         |                      |       |
| 9   | +  | 123112-09560 | 1    | DIAPHRAGM, FUEL PUMP |         |                      |       |
| 10  | +  | 123126-10631 | 1    | SCREEN, INLET        |         |                      |       |
| 11  | +  | 123117-52130 | 1    | SHAFT, THROTTLE      |         |                      |       |
| 12  | +  | 123113-52130 | 1    | SPRING, THE.RTN      |         |                      |       |
| 13  | +  | 123127-15030 | 1    | RING                 |         |                      |       |
| 15  | +  | 123114-38830 | 1    | SCREW                |         |                      |       |
| 16  | +  | 123116-53130 | 1    | VALVE, THROTTLE      |         |                      |       |
| 17  | +  | 123137-19830 | 1    | VALVE, INLET NEEDLE  |         |                      |       |
| 18  | +  | 123139-03930 | 1    | SCREW, M. LEVER PIN  |         |                      |       |
| 19  | +  | 123138-03930 | 1    | PIN, METERING LEVER  |         |                      |       |
| 20  | +  | 123123-38330 | 1    | LEVER, METERING      |         |                      |       |
| 21  | +  | 123122-39330 | 1    | SPRING, METER. LEVER |         |                      |       |
| 22  | +  | 123120-52131 | 2    | NEEDLE, HIGH SPEED   |         |                      |       |
| 26  | +  | 123146-10631 | 1    | PLUG, WELCH          |         |                      |       |
| 30  | +  | 123140-03930 | 1    | GASKET, M. DIAPHRAGM |         |                      |       |

7. Carburetor



| KEY | LV | PART NUMBER  | Q'TY | DESCRIPTION         | REMARKS | NOTE1 | NOTE2 |
|-----|----|--------------|------|---------------------|---------|-------|-------|
| 31  | +  | 123141-03930 | 1    | DIAPHRAGM, METERING |         |       |       |
| 32  | +  | 123142-03930 | 1    | COVER, M. DIAPHRAGM |         |       |       |
| 33  | +  | 123130-02960 | 4    | SCREW               |         |       |       |
| 34  | +  | 123172-26030 | 1    | SWIVEL              |         |       |       |
| 35  | +  | 123149-26030 | 1    | WASHER              |         |       |       |
| 36  | +  | 123173-07930 | 1    | CLIP                |         |       |       |

## 8. Repair Kit

| KEY  | LV | PART NUMBER  | Q'TY | DESCRIPTION         | REMARKS | NOTE1               | NOTE2 |
|------|----|--------------|------|---------------------|---------|---------------------|-------|
|      |    | 889000-21460 | 1    | GASKET KIT E.I      |         |                     |       |
| 1-7  | +  | 101010-44332 | 1    | GASKET, CYL. BASE   |         |                     |       |
| 1-18 | +  | 100242-42030 | 1    | GASKET, CRANKCASE   |         |                     |       |
| 3-3  | +  | 130010-42032 | 1    | GASKET, INTAKE      |         |                     |       |
| 3-7  | +  | 130010-05960 | 1    | GASKET, INTAKE      |         |                     |       |
| 3-22 | +  | 145510-42031 | 1    | GASKET, MUFFLER     |         | Sus. by V104-000160 |       |
| 3-22 | +  | V104-000160  | 1    | GASKET, EXHAUST     |         |                     |       |
| 3-28 | +  | 145866-42031 | 1    | GASKET, MUFFLER LID |         |                     |       |
| 6-26 | +  | 610414-21460 | 1    | GASKET, GEAR CASE   |         |                     |       |
|      | +  | 130016-42031 | 1    | GASKET, INTAKE      |         |                     |       |



**Index**

| <b>Patrs Number</b> | <b>Key No.</b> | <b>Patrs Number</b> | <b>Key No.</b> | <b>Patrs Number</b> | <b>Key No.</b> |
|---------------------|----------------|---------------------|----------------|---------------------|----------------|
| 100000-09563        | 1 - 8          | 123171-35630        | 7 - 4          | 159912-54130        | 1 - 22         |
| 100011-09560        | 1 - 9          | 123172-26030        | 7 - 34         | 162010-52830        | 2 - 15         |
| 100012-51230        | 1 - 4          | 123173-07930        | 7 - 36         | 163401-55630        | 5 - 7          |
| 100013-11520        | 1 - 10         | 123181-09560        | 7 - 3          | 163401-55631        | 5 - 7          |
| 100014-11520        | 1 - 12         | 129011-52130        | 3 - 14         | 175000-56830        | 2 - 6          |
| 100015-04630        | 1 - 11         | 129011-52131        | 3 - 14         | 175005-48931        | 1 - 33         |
| 100100-44732        | 1 - 17         | 130010-05960        | 3 - 7          | 177200-42033        | 2 - 26         |
| 100204-52130        | 1 - 14         | 130010-05960        | 8 - 3-7        | 177202-44330        | 2 - 20         |
| 100204-52131        | 1 - 14         | 130010-42032        | 3 - 3          | 177202-44331        | 2 - 20         |
| 100204-52132        | 1 - 14         | 130010-42032        | 8 - 3-3        | 177215-44430        | 2 - 29         |
| 100212-42030        | 1 - 13         | 130016-42031        | 8 -            | 177218-44330        | 2 - 24         |
| 100212-42031        | 1 - 13         | 130017-42031        | 3 - 6          | 177220-42030        | 2 - 33         |
| 100215-03930        | 1 - 15         | 130301-51730        | 3 - 11         | 177226-10120        | 2 - 30         |
| 100242-42030        | 1 - 18         | 130302-52130        | 3 - 18         | 177227-42030        | 2 - 31         |
| 100242-42030        | 8 - 1-18       | 130302-52131        | 3 - 18         | 177228-06530        | 2 - 32         |
| 101010-44332        | 1 - 7          | 130310-51830        | 3 - 16         | 177234-42030        | 2 - 23         |
| 101010-44332        | 8 - 1-7        | 130406-52130        | 3 - 20         | 177236-44330        | 2 - 27         |
| 101011-08961        | 1 - 5          | 130406-52131        | 3 - 20         | 178001-56730        | 5 - 17         |
| 101503-52131        | 1 - 25         | 131004-08960        | 4 - 16         | 178003-52130        | 5 - 8          |
| 101514-48930        | 1 - 23         | 131005-46830        | 4 - 15         | 178010-52130        | 5 - 5          |
| 123000-52132        | 3 - 8          | 131005-46831        | 4 - 15         | 178012-52730        | 5 - 33         |
| 123000-52132        | 7 -            | 131016-55830        | 4 - 17         | 178013-52630        | 5 - 34         |
| 123000-52133        | 3 - 8          | 131051-52430        | 4 - 19         | 178043-42230        | 5 - 6          |
| 123000-52133        | 7 -            | 131205-07320        | 4 - 10         | 178090-52630        | 5 - 35         |
| 123110-43130        | 7 - 1          | 131300-56430        | 4 - 5          | 178090-52631        | 5 - 35         |
| 123112-09560        | 7 - 9          | 131312-39130        | 4 - 7          | 178090-52632        | 5 - 35         |
| 123113-52130        | 7 - 12         | 131312-39130        | 4 - 11         | 178127-50330        | 5 - 18         |
| 123114-38830        | 7 - 15         | 131312-44330        | 4 - 11         | 178510-51730        | 3 - 9          |
| 123116-53130        | 7 - 16         | 132010-56330        | 4 - 6          | 178515-05060        | 3 - 13         |
| 123117-52130        | 7 - 11         | 132011-03360        | 4 - 9          | 178516-00830        | 3 - 12         |
| 123120-52131        | 7 - 22         | 132012-12360        | 4 - 13         | 178810-05230        | 3 - 10         |
| 123122-39330        | 7 - 21         | 132115-46730        | 4 - 8          | 301200-29430        | 5 - 12         |
| 123123-38330        | 7 - 20         | 145510-42031        | 3 - 22         | 305110-42030        | 4 - 18         |
| 123124-43230        | 7 - 5          | 145510-42031        | 8 - 3-22       | 351012-54330        | 5 - 15         |
| 123125-09560        | 7 - 8          | 145631-42030        | 3 - 23         | 351213-52130        | 5 - 4          |
| 123126-10631        | 7 - 10         | 145642-04930        | 3 - 25         | 433022-06460        | 6 - 12         |
| 123127-15030        | 7 - 13         | 145802-21560        | 3 - 32         | 604221-21460        | 6 - 15         |
| 123130-02960        | 7 - 33         | 145818-52130        | 3 - 30         | 610013-12360        | 5 - 16         |
| 123133-04260        | 7 - 6          | 145862-40630        | 3 - 33         | 610206-12360        | 5 - 14         |
| 123134-04260        | 7 - 7          | 145866-42031        | 3 - 28         | 610239-04130        | 6 - 9          |
| 123137-19830        | 7 - 17         | 145866-42031        | 8 - 3-28       | 610272-52130        | 5 - 1          |
| 123138-03930        | 7 - 19         | 145876-42030        | 3 - 29         | 610308-21460        | 6 - 16         |
| 123139-03930        | 7 - 18         | 156112-40630        | 2 - 13         | 610312-04560        | 6 - 23         |
| 123140-03930        | 7 - 30         | 156626-52630        | 2 - 9          | 610312-21460        | 6 - 20         |
| 123141-03930        | 7 - 31         | 156801-12360        | 2 - 7          | 610312-21460        | 6 - 20         |
| 123142-03930        | 7 - 32         | 156801-44731        | 2 - 7          | 610330-04560        | 6 - 22         |
| 123142-09560        | 7 - 2          | 159011-03432        | 2 - 11         | 610330-04561        | 6 - 22         |
| 123146-10631        | 7 - 26         | 159012-03433        | 2 - 10         | 610335-21460        | 6 - 2          |
| 123149-26030        | 7 - 35         | 159017-10230        | 2 - 12         | 610335-21560        | 6 - 17         |

**Index**

| <b>Patrs Number</b> | <b>Key No.</b> | <b>Patrs Number</b> | <b>Key No.</b> | <b>Patrs Number</b> | <b>Key No.</b> |
|---------------------|----------------|---------------------|----------------|---------------------|----------------|
| 610350-04560        | 6 - 24         | 900238-05020        | 3 - 5          | X425-000060         | 6 - 34         |
| 610361-21460        | 6 - 5          | 900242-04010        | 3 - 31         | X425-000210         | 6 - 34         |
| 610361-21560        | 6 - 18         | 900242-05014        | 5 - 13         | X602-000020         | 5 - 21         |
| 610410-21560        | 6 - 6          | 900242-05025        | 5 - 10         | X690-000030         | 5 - 25         |
| 610411-21460        | 6 - 27         | 900242-05028        | 5 - 2          |                     |                |
| 610414-21460        | 6 - 26         | 900242-05035        | 5 - 9          |                     |                |
| 610414-21460        | 8 - 6-26       | 900242-05057        | 3 - 15         |                     |                |
| 610425-04560        | 6 - 25         | 900500-00005        | 3 - 4          |                     |                |
| 610440-04560        | 6 - 13         | 900500-00005        | 5 - 3          |                     |                |
| 610903-55230        | 1 - 39         | 900500-00005        | 5 - 11         |                     |                |
| 610910-55230        | 1 - 37         | 900500-00006        | 6 - 36         |                     |                |
| 610922-27432        | 1 - 41         | 900502-00006        | 5 - 19         |                     |                |
| 610923-55230        | 1 - 40         | 900600-00005        | 3 - 21         |                     |                |
| 697010-06960        | 6 - 32         | 900603-00005        | 4 - 14         |                     |                |
| 699110-07260        | 6 - 34         | 900701-00012        | 1 - 36         |                     |                |
| 699113-06560        | 6 - 31         | 900702-00028        | 1 - 34         |                     |                |
| 699115-21460        | 6 - 29         | 900706-00012        | 6 - 1          |                     |                |
| 699118-04560        | 6 - 30         | 900807-96001        | 1 - 35         |                     |                |
| 699120-21561        | 6 - 11         | 900810-36201        | 1 - 16         |                     |                |
| 880110-54230        | 6 - 7          | 900855-06901        | 6 - 4          |                     |                |
| 889000-21460        | 8 -            | 900855-06901        | 6 - 4          |                     |                |
| 890118-49130        | 2 - 36         | 900858-06901        | 6 - 3          |                     |                |
| 890121-47530        | 3 - 17         | 94035-36201         | 1 - 16         |                     |                |
| 890135-21560        | 1 - 24         | A011-000100         | 1 - 17         |                     |                |
| 890152-04930        | 5 - 32         | A011-000101         | 1 - 17         |                     |                |
| 890157-39130        | 5 - 36         | A320-000250         | 3 - 23         |                     |                |
| 890617-12360        | 5 - 29         | A320-000251         | 3 - 23         |                     |                |
| 890617-12361        | 5 - 29         | A356-000030         | 4 - 5          |                     |                |
| 895112-00330        | 5 - 20         | C050-000010         | 5 - 14         |                     |                |
| 895410-08030        | 5 - 21         | C532-000120         | 6 - 22         |                     |                |
| 895610-00130        | 5 - 22         | P021-000110         | 6 - 6          |                     |                |
| 895612-03430        | 5 - 23         | P021-000111         | 6 - 6          |                     |                |
| 898510-39130        | 5 - 24         | P021-004190         | 6 - 16         |                     |                |
| 898523-06560        | 6 - 35         | P021-008940         | 3 - 32         |                     |                |
| 899580-68730        | 5 - 25         | P021-009440         | 6 - 16         |                     |                |
| 900105-05055        | 3 - 26         | V060-000000         | 6 - 16         |                     |                |
| 900142-05025        | 1 - 42         | V104-000160         | 3 - 22         |                     |                |
| 900162-04012        | 6 - 28         | V104-000160         | 8 - 3-22       |                     |                |
| 900162-04022        | 2 - 8          | V137-000030         | 4 - 8          |                     |                |
| 900162-05012        | 6 - 10         | V471-001200         | 4 - 7          |                     |                |
| 900162-05022        | 1 - 6          | V471-001200         | 4 - 11         |                     |                |
| 900162-05028        | 1 - 19         | V553-000010         | 1 - 4          |                     |                |
| 900162-05028        | 6 - 8          | V622-000020         | 1 - 15         |                     |                |
| 900163-04016        | 1 - 20         | V651-000050         | 6 - 5          |                     |                |
| 900163-04016        | 1 - 26         | V651-000060         | 6 - 18         |                     |                |
| 900163-04016        | 2 - 35         | V651-000180         | 6 - 5          |                     |                |
| 900212-06035        | 6 - 14         | V651-000190         | 6 - 18         |                     |                |
| 900238-05016        | 1 - 21         | X411-000050         | 6 - 32         |                     |                |
| 900238-05016        | 4 - 12         | X411-000400         | 6 - 32         |                     |                |

# YAMABIKO CORPORATION

7-2 SUEHIROCHO 1-CHOME, OHME, TOKYO 198-8760, JAPAN  
PHONE: 81-428-32-6118. FAX: 81-428-32-6145.

