

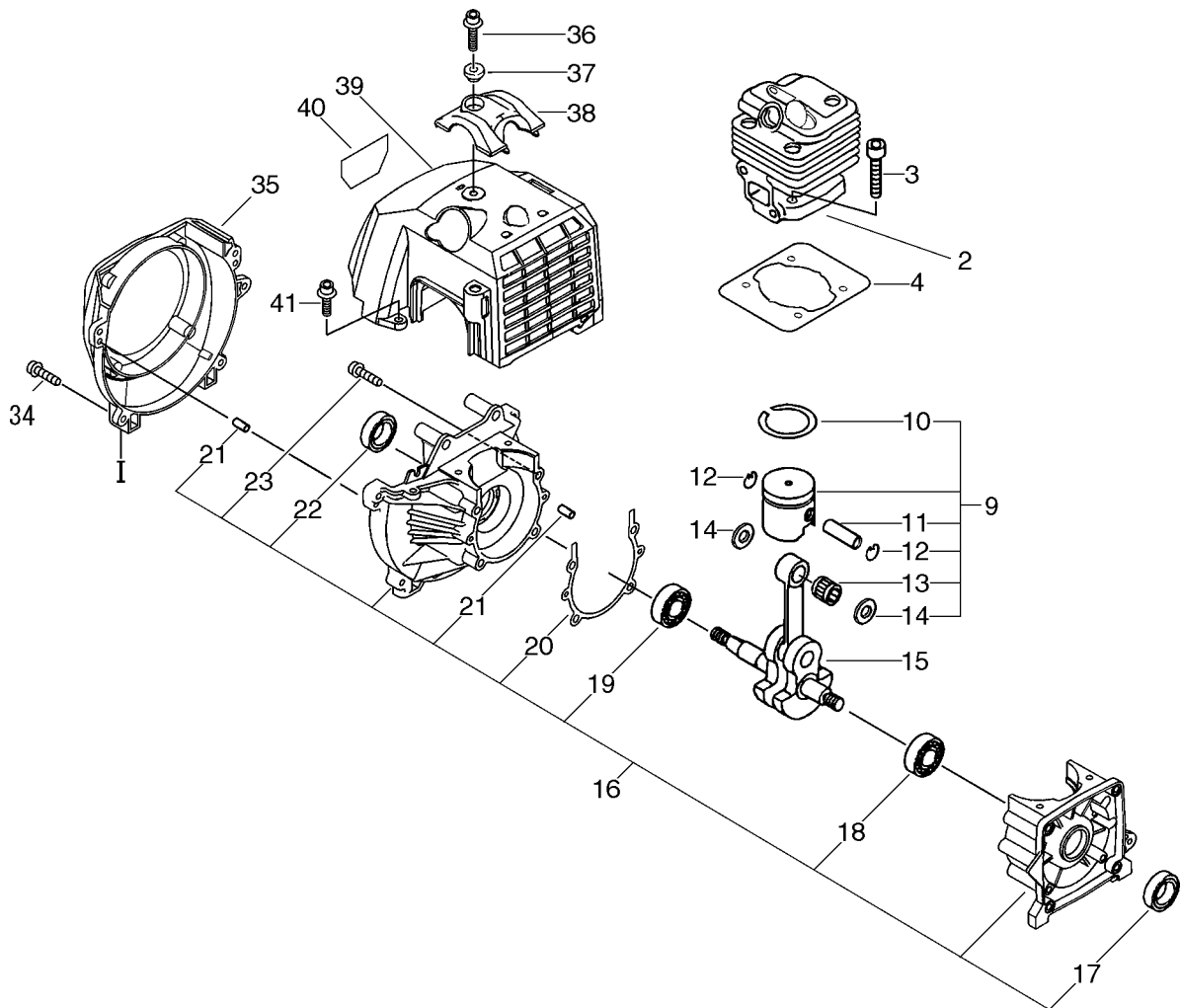
# **shindaiwa**

**PARTS CATALOGUE**

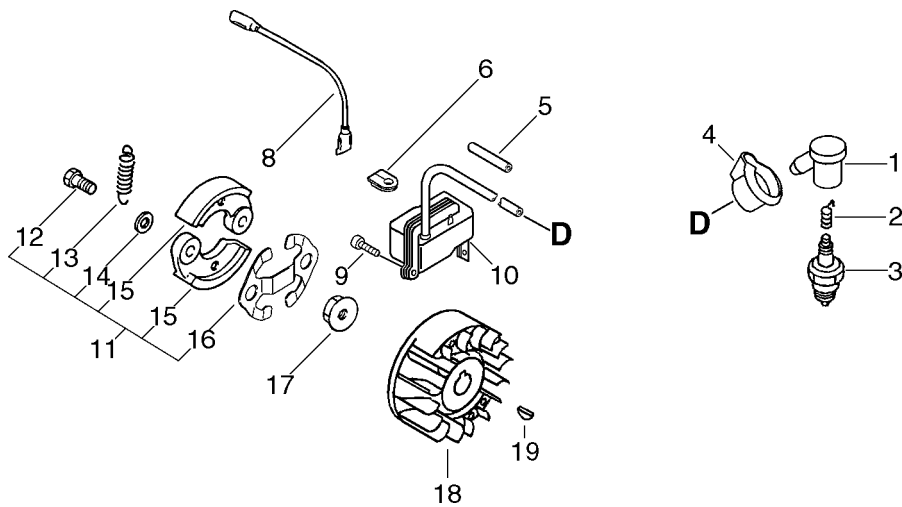
**CLEARING SAW**

**CL520**

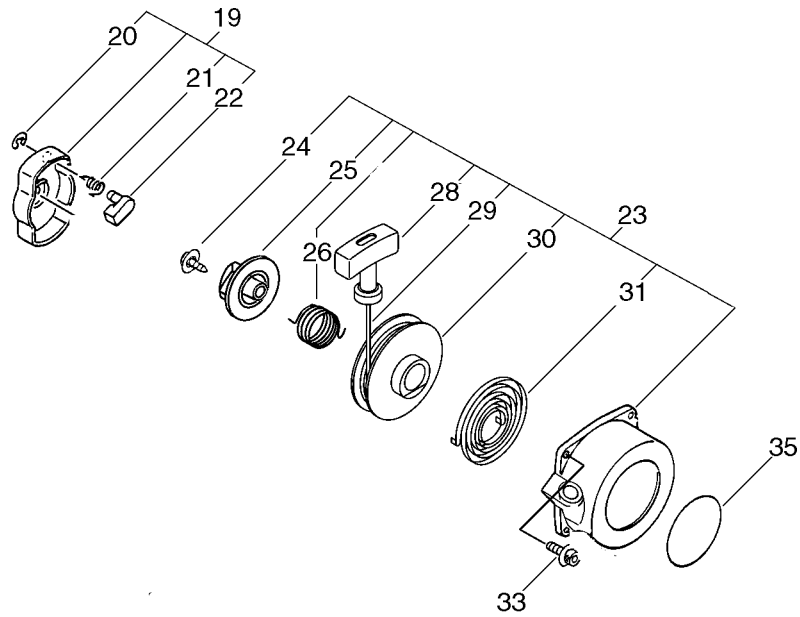
**CE**



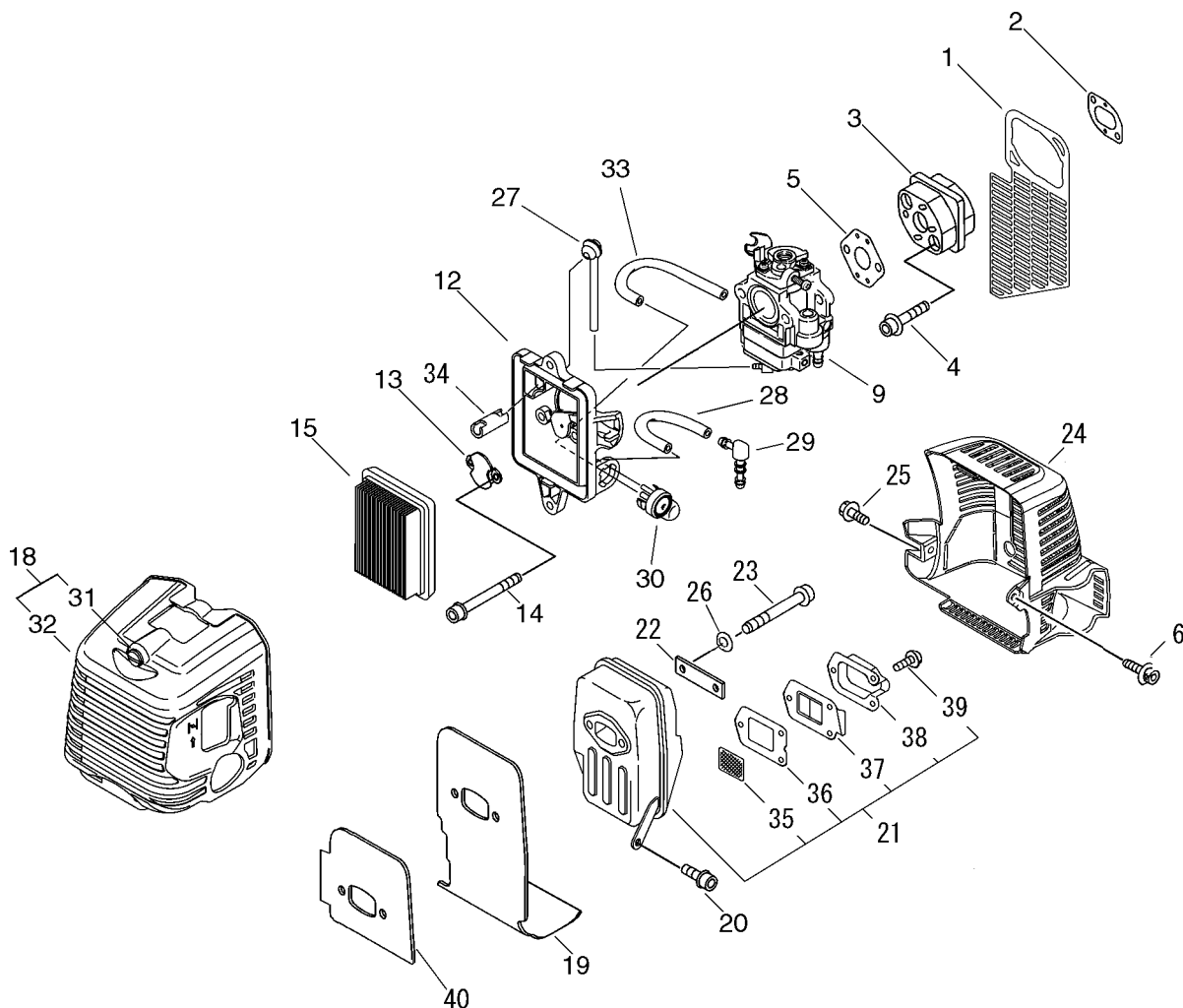
KEY	LV	PART NUMBER	Q'TY	DESCRIPTION	REMARKS
2		A130-000960	1	CYLINDER	
3		900162-05020	4	BOLT, H.S. 5*20	
4		V100-000280	1	GASKET,CYL	
9		P021-016630	1	PISTON KIT	
10	+	A101-000220	1	RING, PISTON	
11	+	V608-000000	1	PIN,ENG 10	
12	+	V580-000010	2	RING,END	
13	+	100012-12331	1	BEARING, NEEDLE	
14	+	V307-000060	2	WASHER,CIRCULAR 10	
15		A011-000120	1	CRANKSHAFT,ASM	
16		P021-002471	1	CRANKCASE SET	
17	+	100213-05530	1	OILSEAL	
18	+	94035-36201	1	BEARING BALL	
19	+	900810-36202	1	BEARING, BALL 6202	
20	+	V102-000001	1	GASKET,CRANKCASE	
21	+	100215-03930	4	PIN, DOWEL	
22	+	100213-00310	1	OILSEAL	
23	+	900162-05035	4	BOLT, H.S. 5*35	
34		91118-05020	4	BOLT	
35		A172-000930	1	COVER,FAN	
36		91121-05020	1	BOLT, FLANGE	
37		V353-000020	1	COLLAR,5	
38		A162-000020	1	GUARD, TOP	
39		A160-001250	1	COVER,CYLINDER	
40		X503-009990	1	LABEL,MODEL	
41		91121-05012	1	BOLT, FLANGE	



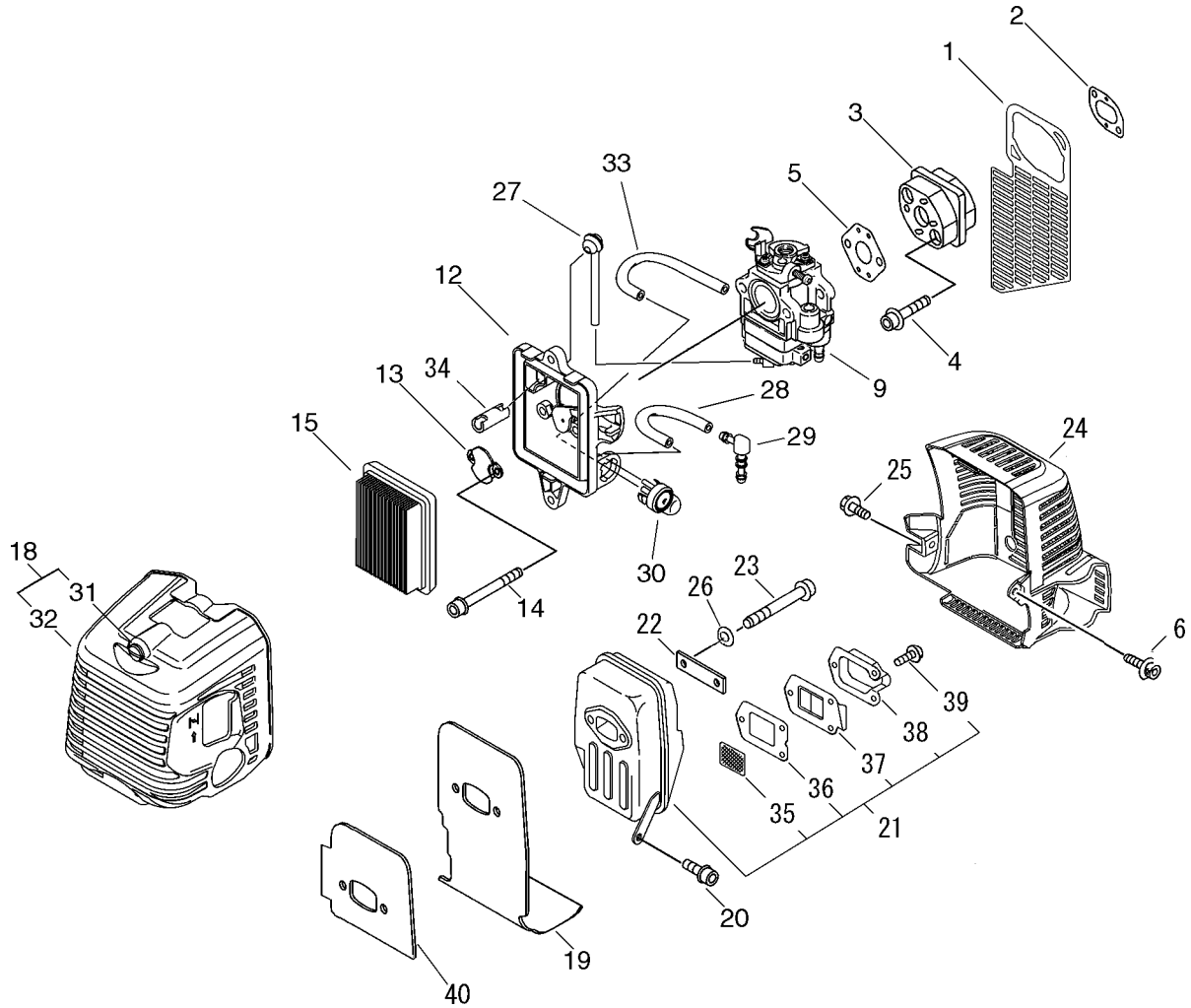
KEY	LV	PART NUMBER	Q'TY	DESCRIPTION	REMARKS
1		A427-000000	1	CAP,SPARK PLUG	
2		A426-000000	1	TERMINAL,SPARKPLUG	
3		159010-10230	1	PLUG, SPARK (BPMP-7A	
4		V141-000020	1	GROMMET,PLUG	
5		V475-001610	1	TUBE	
6		156114-04920	1	GROMMET	
8		162010-55630	1	LEAD, GROUND	
9		900162-05020	2	BOLT, H.S. 5*20	
10		A411-000480	1	COIL, IGNITION	
11		P021-016610	1	CLUTCH ASY	
12	+	A557-000000	2	SHAFT,CLUTCH	
13	+	V451-000480	1	SPRING,TENSION	
14	+	175049-03920	2	WASHER	
15	+	A553-000040	2	ARM,CLUTCH	
16	+	V453-000100	1	SPRING,FLAT	
17		900519-00010	1	NUT, FLANGE 10	
18		A409-000380	1	ROTOR, MAGNETO	
19		900323-03014	1	KEY WOODRUFF	



KEY	LV	PART NUMBER	Q'TY	DESCRIPTION	REMARKS
19		A052-000230	1	PULLEY,ASM STARTER	
20	+	P022-002100	2	E-RING	
21	+	P022-003130	2	SPRING, RETURN	
22	+	P022-023090	2	PAWL, STARTER	
23		A051-001440	1	STARTER,RECOIL	
24	+	P022-023110	1	SCREW	
25	+	P022-023130	1	PLATE, CAM	
26	+	P022-023120	1	SPRING,DAMPER	
28	+	177228-27030	1	GRIP, STARTER	
29	+	P022-023100	1	ROPE, STARTER	
30	+	P022-023140	1	DRUM, STARTER	
31	+	P022-004680	1	SPRING, SPIRAL	
33		91121-05020	1	BOLT, FLANGE	
35		X503-010000	1	LABEL,MODEL	

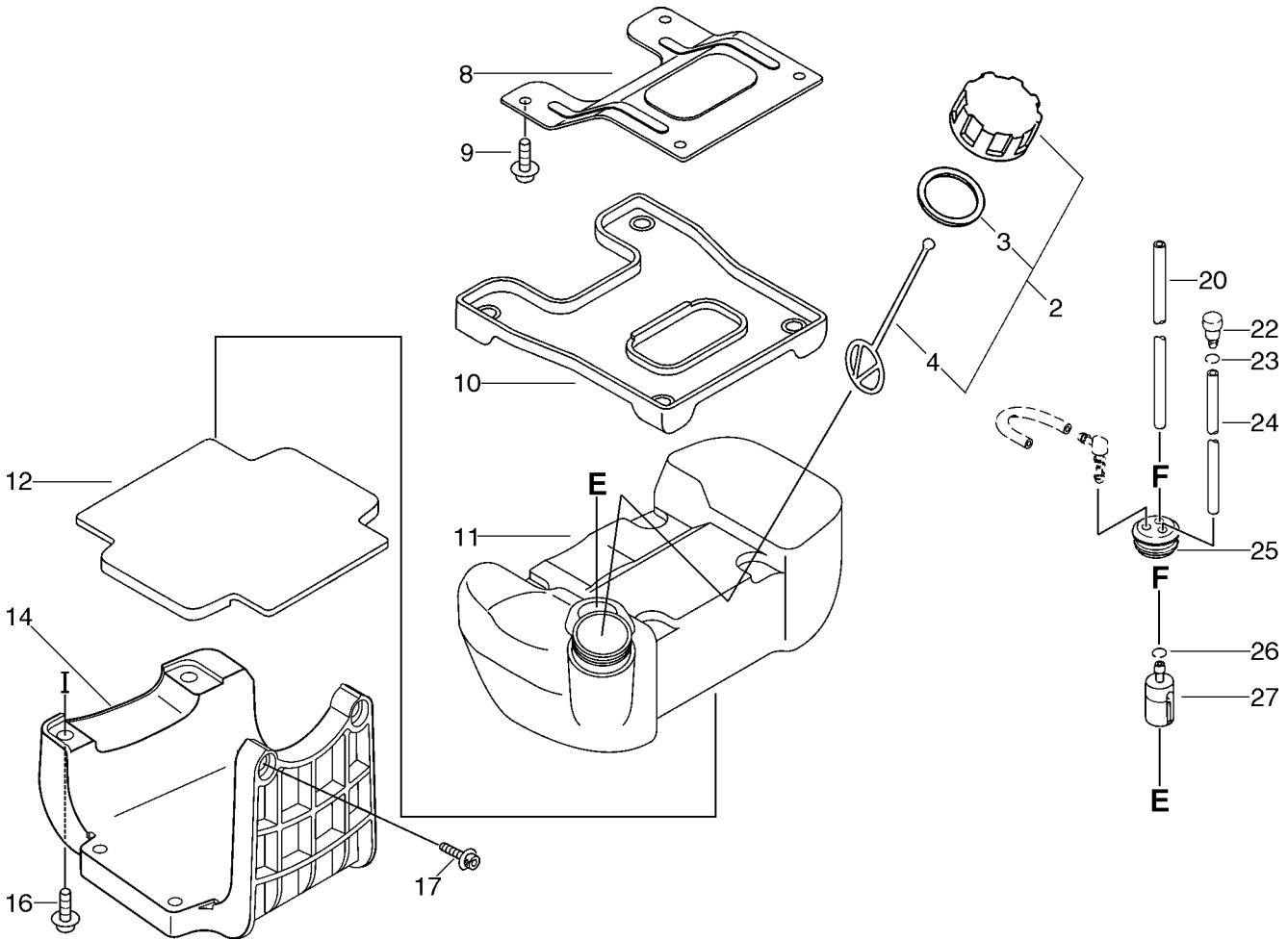


KEY	LV	PART NUMBER	Q'TY	DESCRIPTION	REMARKS
1		A128-000060	1	PLATE,DUST	
2		V103-000070	1	GASKET,INTAKE	
3		A200-000060	1	INSULATOR,INTAKE	
4		900106-05025	2	BOLT, H.S. 5*25	
5		V103-000080	1	GASKET,INTAKE	
6		91121-05020	1	BOLT, FLANGE	
9		A021-001860	1	CARBURETOR,DIAPHRAGM	
12		P021-009590	1	CASE, AIR CLEANER	
13		A244-000010	1	PLATE,PREVENT	
14		900105-05055	2	BOLT, H.S. 5*55	
15		A226-000360	1	ELEMENT, AIR FILTER	
18		P021-034350	1	LID,CLEANER ASY	
31	+	V253-000100	2	SCREW,5	
32	+	A232-000530	1	LID,CLEANER	
19		V104-000930	1	GASKET,EXHAUST	
20		900162-05012	1	BOLT, H.S. 5*12	
21		P021-016880	1	MUFFLER ASY	
35	+	A310-000110	1	SCREEN, ARRESTOR	
36	+	145866-42031	1	GASKET, MUFFLER LID	
37	+	A313-000300	1	GUIDE,EXH	
38	+	A313-001060	1	GUIDE, EXHAUST	
39	+	900242-04010	3	SCREW 4*10	
22		V150-000550	1	PLATE,EYE	
23		91100-06070	2	BOLT HSH	

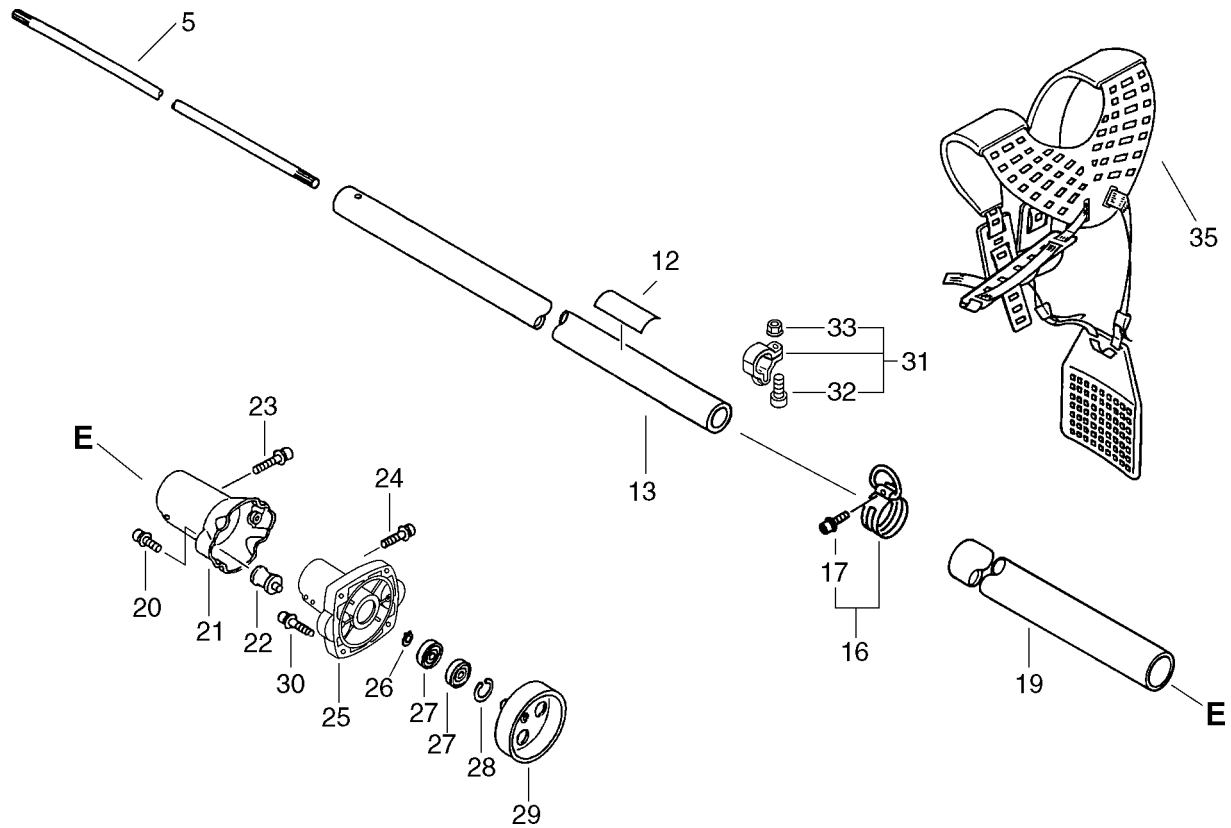


KEY	LV	PART NUMBER	Q'TY	DESCRIPTION	REMARKS
24		A320-000560	1	COVER,MUFFLER	
25		91121-05012	1	BOLT, FLANGE	
26		900628-00006	2	WASHER, SPRING 6	
27		132012-39331	1	PIPE	
28		437215-20760	1	PIPE 3*6*60	
29		V186-000080	1	JOINT,PIPE	
30		123181-39130	1	PUMP, PRIMER	
33		V471-001560	1	PIPE	
34		A239-000050	1	PIPE, INTAKE	
40		A312-000000	1	PLATE, EXHUST	

5 Fuel Tank

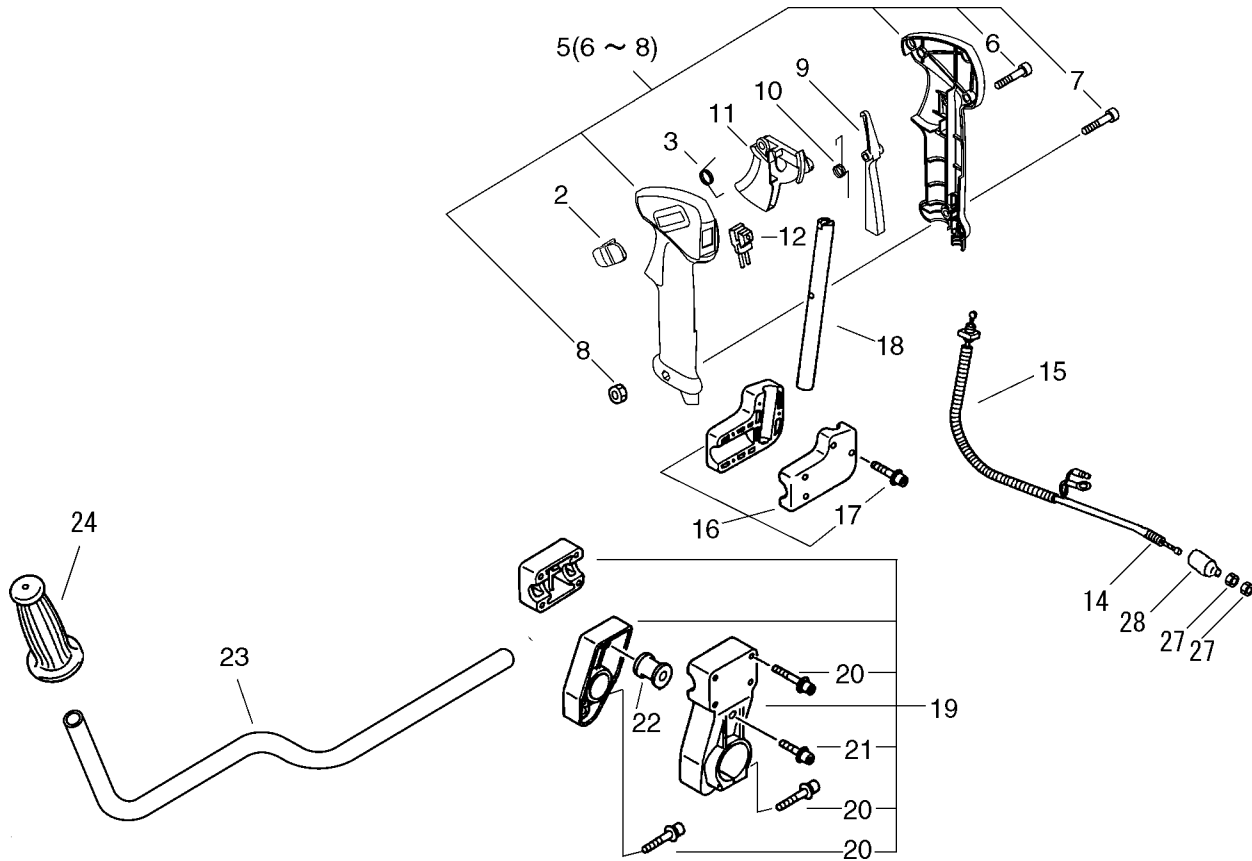


KEY	LV	PART NUMBER	Q'TY	DESCRIPTION	REMARKS
2		P021-014060	1	CAP,FUER ASSY	
3	+	131016-55830	1	GASKET, FUEL CAP	
4	+	131051-56030	1	CLIP, FUEL CAP	
8		A393-000030	1	BRACKET,FUEL TANK	
9		900106-05012	4	BOLT, H.S. 5*12	
10		A390-000000	1	SEAT,FUEL TANK	
11		A350-000131	1	TANK,FUEL	
12		A390-000010	1	SEAT,FUEL TANK	
14		A393-000050	1	BRACKET,FUEL TANK	
16		91121-05020	2	BOLT, FLANGE	
17		91121-05025	2	BOLT, FLANGE	
20		132010-53630	1	PIPE	
22		131300-56430	1	VALVE, CHECK	
23		132013-26630	1	CLIP	
24		132012-02960	1	PIPE, FUEL	
25		132115-55930	1	GROMMET, FUEL	
26		132013-26630	1	CLIP	
27		131205-19831	1	STRAINER, FUEL	

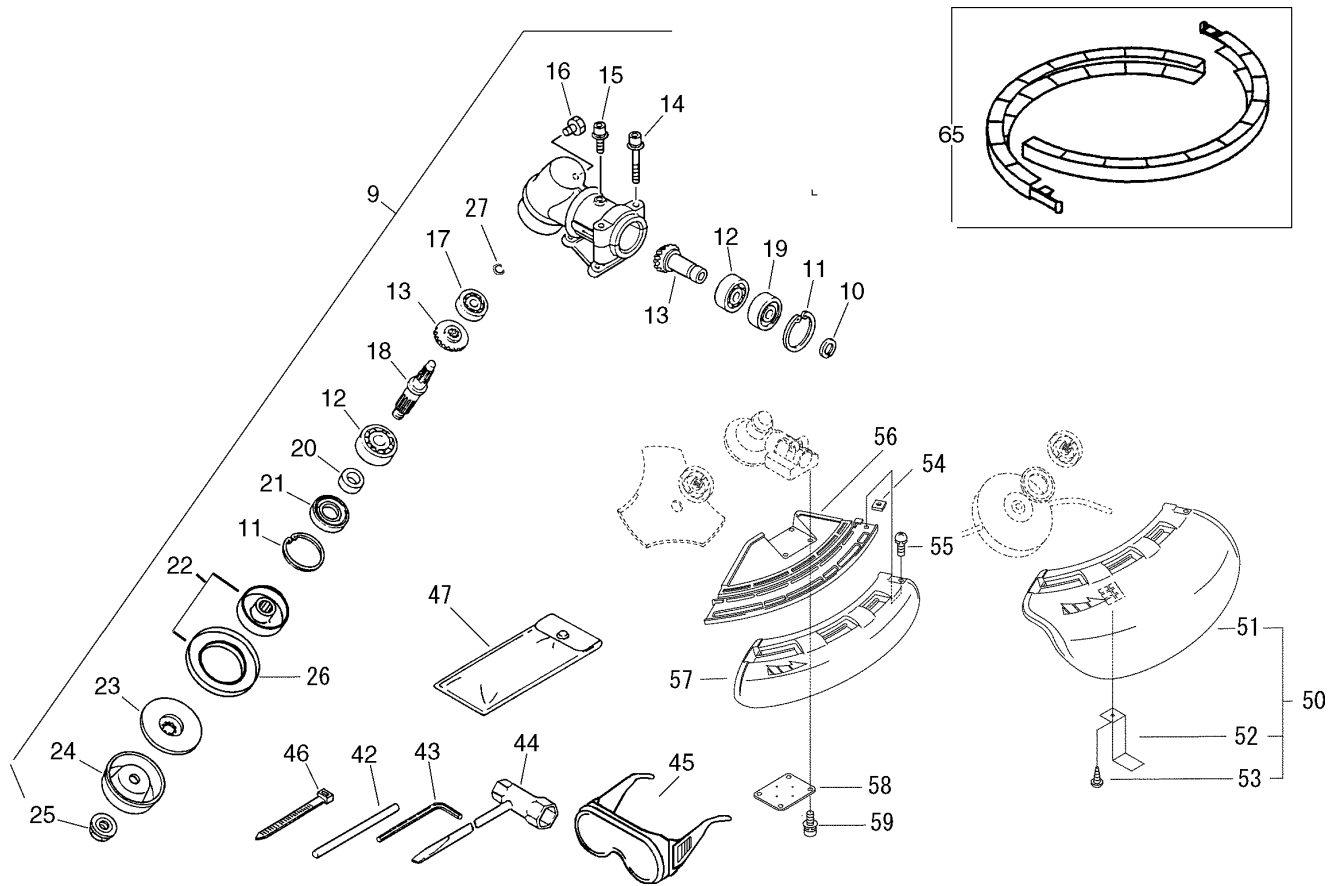


KEY	LV	PART NUMBER	Q'TY	DESCRIPTION	REMARKS
5		610011-51530	1	SHAFT, DRIVE	
12		890617-43130	1	LABEL, CAUTION	
13		C050-000610	1	PIPE, MAIN	
16		P021-012710	1	HOOK	
17	+	91118-05020	1	BOLT	
19		C500-000420	1	PIPE, MAIN	
20		91118-05014	2	BOLT	
21		A575-000170	1	FIXTURE, MAIN PIPE	
22		100905-51530	2	CUSHION	
23		91118-05035	1	BOLT	
24		91118-05030	2	BOLT	
25		A570-000180	1	CASE, CLUTCH	
26		900701-00015	1	CIRCLIP 15	
27		900819-06202	2	BEARING, BALL 6202	
28		900702-00035	1	CIRCLIP 35	
29		A556-000290	1	DRUM, CLUTCH	
30		91118-05020	4	BOLT	
31		P021-012650	2	HOOK ASY	
32	+	91118-05022	2	BOLT	
33	+	900516-00005	2	NUT, FRANGE 5	
35		C062-000320	1	HARNESS, SHOULDER	

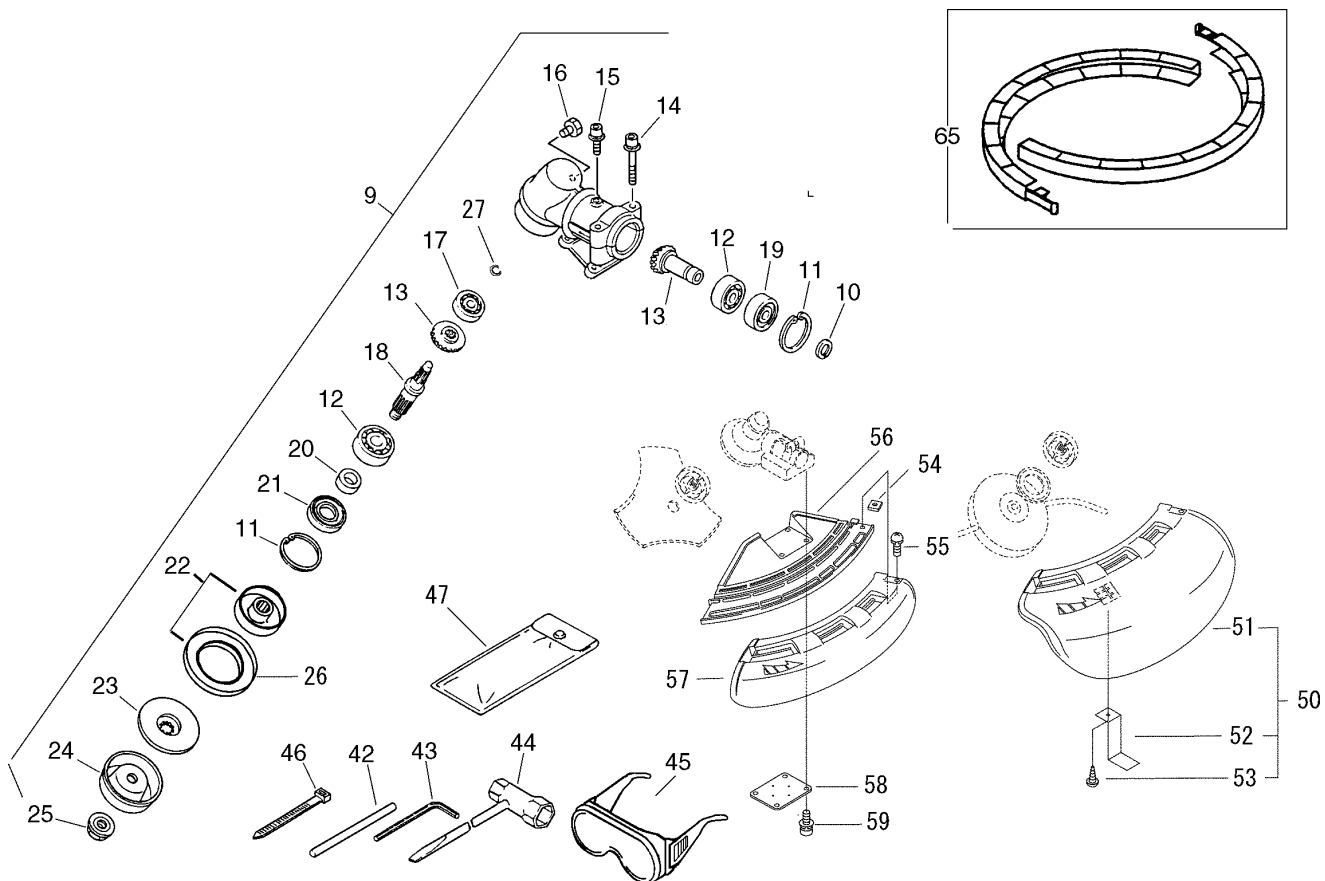




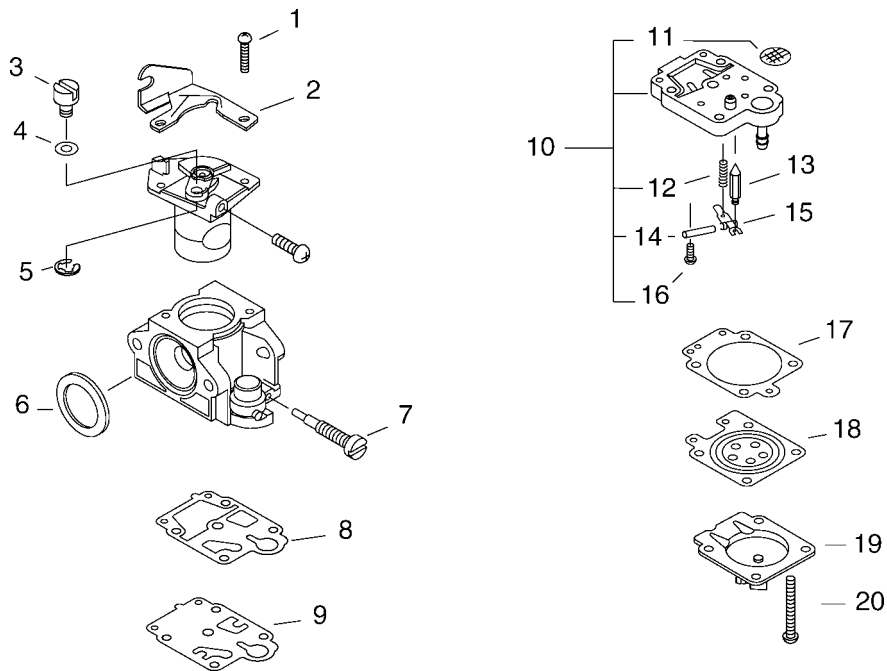
KEY	LV	PART NUMBER	Q'TY	DESCRIPTION	REMARKS
2		C463-000050	1	KNOB,LATCH	
3		V452-000060	1	SPRING,TORSION	
5		P021-013570	1	GRIP ASY,F-HANDLE	
6	+	900253-04016	3	SCREW 4*16	
7	+	900220-05030	1	SCREW 5*30	
8	+	900500-00005	1	NUT 5	
9		C460-000180	1	LOCKOUT,THROTTLE	
10		V452-000130	1	SPRING,TORSION	
11		C450-000420	1	TRIGGER,THROTTLE	
12		A440-001300	1	SWITCH, ON OFF	
14		V430-000960	1	CABLE,BOWDEN	
15		178127-43230	1	TUBE	
16		P021-012730	1	BRACKET ASY, HANDLE	
17	+	91118-05025	4	BOLT	
18		351210-47530	1	HANDLE, REAR	
19		P021-034430	1	BRACKET, HANDLE ASY	
20	+	91118-05035	6	BOLT	
21	+	91118-05014	4	BOLT	
22		100905-51530	2	CUSHION	
23		C400-000150	1	HANDLE,FRONT	
24		351213-47531	1	GRIP, HANDLE	
27		900502-00006	2	NUT 6 (3N)	
28		V494-000080	1	CAP	



KEY	LV	PART NUMBER	Q'TY	DESCRIPTION	REMARKS
9		P021-017200	1	CASE ASY,GEAR	
10	+	900701-00015	1	CIRCLIP 15	
11	+	900702-00035	2	CIRCLIP 35	
12	+	900810-06202	2	BEARING, BALL 6202	
13	+	610300-47530	1	GEAR SET	
14	+	91118-05035	2	BOLT	
15	+	91119-05012	1	BOLT	
16	+	610434-50031	1	BOLT 8* 8	
17	+	900807-06001	1	BEARING, BALL 6001	
18	+	C534-000520	1	SHAFT, GEAR	
19	+	900813-06202	1	BEARING, BALL 6202Z	
20	+	610334-06230	1	SPACER, OILSEAL	
21	+	610413-47530	1	OILSEAL IS 20 35 7	
22	+	C535-000441	1	FIXTURE, BLADE	
26	++	610352-56830	1	PLATE, CUP	
23	+	C535-000460	1	FIXTURE, BLADE	
24	+	V151-000040	1	PLATE, CUP	
25	+	610320-47530	1	NUT, LOCK	
27	+	900701-00012	1	CIRCLIP 12	
42		X606-000080	1	TOOL, BAR	
43		895610-00130	1	L-WRENCH (4MM)	
44		X602-000020	1	TOOL, WRENCH	
45		X690-000030	1	GOGGLE	
46		178121-43230	1	BAND	



KEY	LV	PART NUMBER	Q'TY	DESCRIPTION	REMARKS
47		898510-07130	1	BAG, TOOL	
50		P021-034440	1	SHIELD KIT	
51	+	C550-000310	1	SHIELD, BLADE	
52	+	C554-000030	1	KNIFE, CORD	
53	+	900252-05012	1	SCREW 5*12	
54		900565-00005	1	NUT	
55		900242-05018	1	SCREW 5*18	
56		C550-000330	1	SHIELD, BLADE	
57		C550-000320	1	SHIELD, BLADE	
58		699013-56830	1	PLATE, SHIELD	
59		91118-05025	4	BOLT	
65		P021-007470	1	SCABBARD, BLADE	



KEY	LV	PART NUMBER	Q'TY	DESCRIPTION	REMARKS
		A021-001860	1	CARBURETOR,DIAPHRAGM	
1	+	123114-40630	2	SCREW	
2	+	P003-000180	1	BRACKET CABLE	
3	+	123172-45130	1	SWIVEL	
4	+	123149-54230	1	WASHER	
5	+	123173-07930	1	CLIP	
6	+	123143-12110	1	RING, PACKING	
7	+	P003-001130	1	NEEDLE, HIGH SPEED	
8	+	P003-000100	1	GASKET, PUMP	
9	+	123112-40630	1	DIAPHRAGM, PUMP	
10	+	P003-001490	1	BODY ASSEMBLY, PUMP	
11	++	123126-10631	1	SCREEN, INLET	
12	++	123122-05560	1	SPRING, METER. LEVER	
13	++	123137-19830	1	VALVE, INLET NEEDLE	
14	++	123138-03930	1	PIN, METERING LEVER	
15	++	123123-03930	1	LEVER, METERING	
16	++	123139-05560	1	SCREW, M. LEVER PIN	
17	+	123140-27230	1	GASKET,M. DIAPHRAGM	
18	+	P003-000090	1	METERING, DIAPHRAGM	
19	+	P003-001500	1	COVER, PRIMER PUMP	
20	+	123144-44330	4	SCREW	

**Index**

<b>Parts Number</b>	<b>Key No.</b>	<b>Parts Number</b>	<b>Key No.</b>	<b>Parts Number</b>	<b>Key No.</b>
A011-000120	1 - 15	C554-000030	8 - 52	V475-001610	2 - 5
A021-001860	4 - 9	P003-000090	9 - 18	V494-000080	7 - 28
A021-001860	9 -	P003-000100	9 - 8	V580-000010	1 - 12
A051-001440	3 - 23	P003-000180	9 - 2	V608-000000	1 - 11
A052-000230	3 - 19	P003-001130	9 - 7	X503-009990	1 - 40
A101-000220	1 - 10	P003-001490	9 - 10	X503-010000	3 - 35
A128-000060	4 - 1	P003-001500	9 - 19	X602-000020	8 - 44
A130-000960	1 - 2	P021-002471	1 - 16	X606-000080	8 - 42
A160-001250	1 - 39	P021-007470	8 - 65	X690-000030	8 - 45
A162-000020	1 - 38	P021-009590	4 - 12	100012-12331	1 - 13
A172-000930	1 - 35	P021-012650	6 - 31	100213-00310	1 - 22
A200-000060	4 - 3	P021-012710	6 - 16	100213-05530	1 - 17
A226-000360	4 - 15	P021-012730	7 - 16	100215-03930	1 - 21
A232-000530	4 - 32	P021-013570	7 - 5	100905-51530	6 - 22
A239-000050	4 - 34	P021-014060	5 - 2	100905-51530	7 - 22
A244-000010	4 - 13	P021-016610	2 - 11	123112-40630	9 - 9
A310-000110	4 - 35	P021-016630	1 - 9	123114-40630	9 - 1
A312-000000	4 - 40	P021-016880	4 - 21	123122-05560	9 - 12
A313-000300	4 - 37	P021-017200	8 - 9	123123-03930	9 - 15
A313-001060	4 - 38	P021-034350	4 - 18	123126-10631	9 - 11
A320-000560	4 - 24	P021-034430	7 - 19	123137-19830	9 - 13
A350-000131	5 - 11	P021-034440	8 - 50	123138-03930	9 - 14
A390-000000	5 - 10	P022-002100	3 - 20	123139-05560	9 - 16
A390-000010	5 - 12	P022-003130	3 - 21	123140-27230	9 - 17
A393-000030	5 - 8	P022-004680	3 - 31	123143-12110	9 - 6
A393-000050	5 - 14	P022-023090	3 - 22	123144-44330	9 - 20
A409-000380	2 - 18	P022-023100	3 - 29	123149-54230	9 - 4
A411-000480	2 - 10	P022-023110	3 - 24	123172-45130	9 - 3
A426-000000	2 - 2	P022-023120	3 - 26	123173-07930	9 - 5
A427-000000	2 - 1	P022-023130	3 - 25	123181-39130	4 - 30
A440-001300	7 - 12	P022-023140	3 - 30	131016-55830	5 - 3
A553-000040	2 - 15	V100-000280	1 - 4	131051-56030	5 - 4
A556-000290	6 - 29	V102-000001	1 - 20	131205-19831	5 - 27
A557-000000	2 - 12	V103-000070	4 - 2	131300-56430	5 - 22
A570-000180	6 - 25	V103-000080	4 - 5	132010-53630	5 - 20
A575-000170	6 - 21	V104-000930	4 - 19	132012-02960	5 - 24
C050-000610	6 - 13	V141-000020	2 - 4	132012-39331	4 - 27
C062-000320	6 - 35	V150-000550	4 - 22	132013-26630	5 - 23
C400-000150	7 - 23	V151-000040	8 - 24	132013-26630	5 - 26
C450-000420	7 - 11	V186-000080	4 - 29	132115-55930	5 - 25
C460-000180	7 - 9	V253-000100	4 - 31	145866-42031	4 - 36
C463-000050	7 - 2	V307-000060	1 - 14	156114-04920	2 - 6
C500-000420	6 - 19	V353-000020	1 - 37	159010-10230	2 - 3
C534-000520	8 - 18	V430-000960	7 - 14	162010-55630	2 - 8
C535-000441	8 - 22	V451-000480	2 - 13	175049-03920	2 - 14
C535-000460	8 - 23	V452-000060	7 - 3	177228-27030	3 - 28
C550-000310	8 - 51	V452-000130	7 - 10	178121-43230	8 - 46
C550-000320	8 - 57	V453-000100	2 - 16	178127-43230	7 - 15
C550-000330	8 - 56	V471-001560	4 - 33	351210-47530	7 - 18

**Index**

<b>Parts Number</b>	<b>Key No.</b>	<b>Parts Number</b>	<b>Key No.</b>	<b>Parts Number</b>	<b>Key No.</b>
351213-47531	7 - 24	91118-05025	7 - 17		
437215-20760	4 - 28	91118-05025	8 - 59		
610011-51530	6 - 5	91118-05030	6 - 24		
610300-47530	8 - 13	91118-05035	6 - 23		
610320-47530	8 - 25	91118-05035	7 - 20		
610334-06230	8 - 20	91118-05035	8 - 14		
610352-56830	8 - 26	91119-05012	8 - 15		
610413-47530	8 - 21	91121-05012	1 - 41		
610434-50031	8 - 16	91121-05012	4 - 25		
699013-56830	8 - 58	91121-05020	1 - 36		
890617-43130	6 - 12	91121-05020	3 - 33		
895610-00130	8 - 43	91121-05020	4 - 6		
898510-07130	8 - 47	91121-05020	5 - 16		
900105-05055	4 - 14	91121-05025	5 - 17		
900106-05012	5 - 9	94035-36201	1 - 18		
900106-05025	4 - 4				
900162-05012	4 - 20				
900162-05020	1 - 3				
900162-05020	2 - 9				
900162-05035	1 - 23				
900220-05030	7 - 7				
900242-04010	4 - 39				
900242-05018	8 - 55				
900252-05012	8 - 53				
900253-04016	7 - 6				
900323-03014	2 - 19				
900500-00005	7 - 8				
900502-00006	7 - 27				
900516-00005	6 - 33				
900519-00010	2 - 17				
900565-00005	8 - 54				
900628-00006	4 - 26				
900701-00012	8 - 27				
900701-00015	6 - 26				
900701-00015	8 - 10				
900702-00035	6 - 28				
900702-00035	8 - 11				
900807-06001	8 - 17				
900810-06202	8 - 12				
900810-36202	1 - 19				
900813-06202	8 - 19				
900819-06202	6 - 27				
91100-06070	4 - 23				
91118-05014	6 - 20				
91118-05014	7 - 21				
91118-05020	1 - 34				
91118-05020	6 - 17				
91118-05020	6 - 30				
91118-05022	6 - 32				

# **YAMABIKO CORPORATION**

7-2 SUEHIROCHO 1-CHOME, OHME, TOKYO 198-8760, JAPAN  
PHONE: 81-428-32-6118. FAX: 81-428-32-6145.

# **shindaiwa**